



US00D610862S

(12) **United States Design Patent**
Chung

(10) **Patent No.:** **US D610,862 S**
(45) **Date of Patent:** **** Mar. 2, 2010**

(54) **BARBECUE GRILL**

D609,970 * 9/2009 Chung D7/337

(76) Inventor: **Kiosky Chung**, No. 72, Chaoguei Rd.,
Situn District, Taichung City 407 (TW)

* cited by examiner

(**) Term: **14 Years**

Primary Examiner—Ruth McInroy
(74) *Attorney, Agent, or Firm*—Banger Shia

(21) Appl. No.: **29/340,448**

(57) **CLAIM**

(22) Filed: **Jul. 18, 2009**

I claim the ornamental design for a barbecue grill, as shown
and described.

(51) **LOC (9) Cl.** **15-05**

(52) **U.S. Cl.** **D7/337**

(58) **Field of Classification Search** D7/402,
D7/403, 407, 409, 332, 337; 126/40, 43,
126/44, 50, 9 R, 25 A, 41 R; 99/445, 448

See application file for complete search history.

DESCRIPTION

(56) **References Cited**

U.S. PATENT DOCUMENTS

D464,227 S *	10/2002	Eisinger et al.	D7/332
6,941,942 B2 *	9/2005	Eisinger et al.	126/25 R
D514,872 S *	2/2006	Chung	D7/337
D549,037 S *	8/2007	Chung	D7/337
D600,494 S *	9/2009	Chung	D7/337

FIG. 1 is a perspective view of a barbecue grill, showing my
new design;

FIG. 2 is a front elevational view thereof;

FIG. 3 is a rear elevational view thereof;

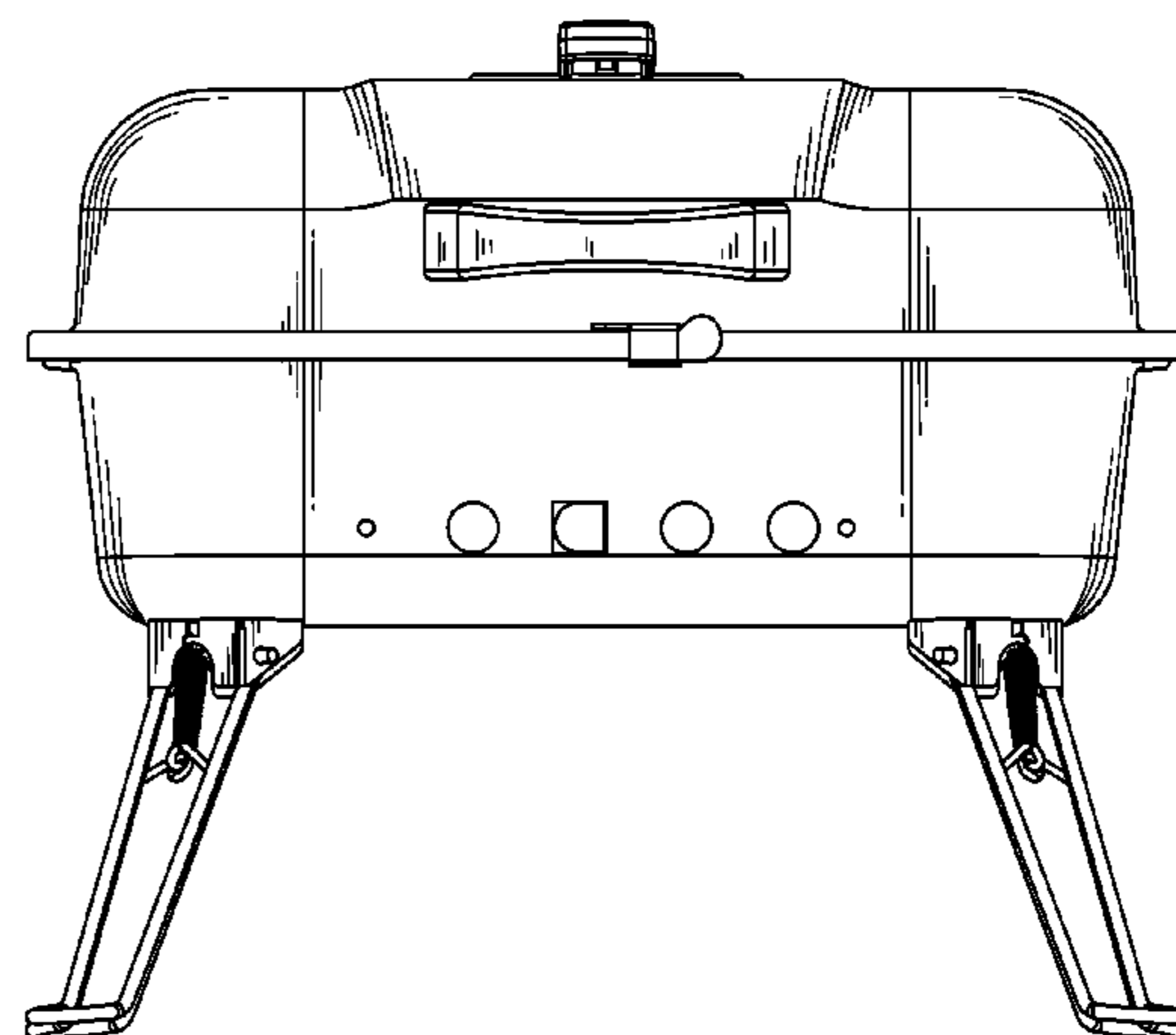
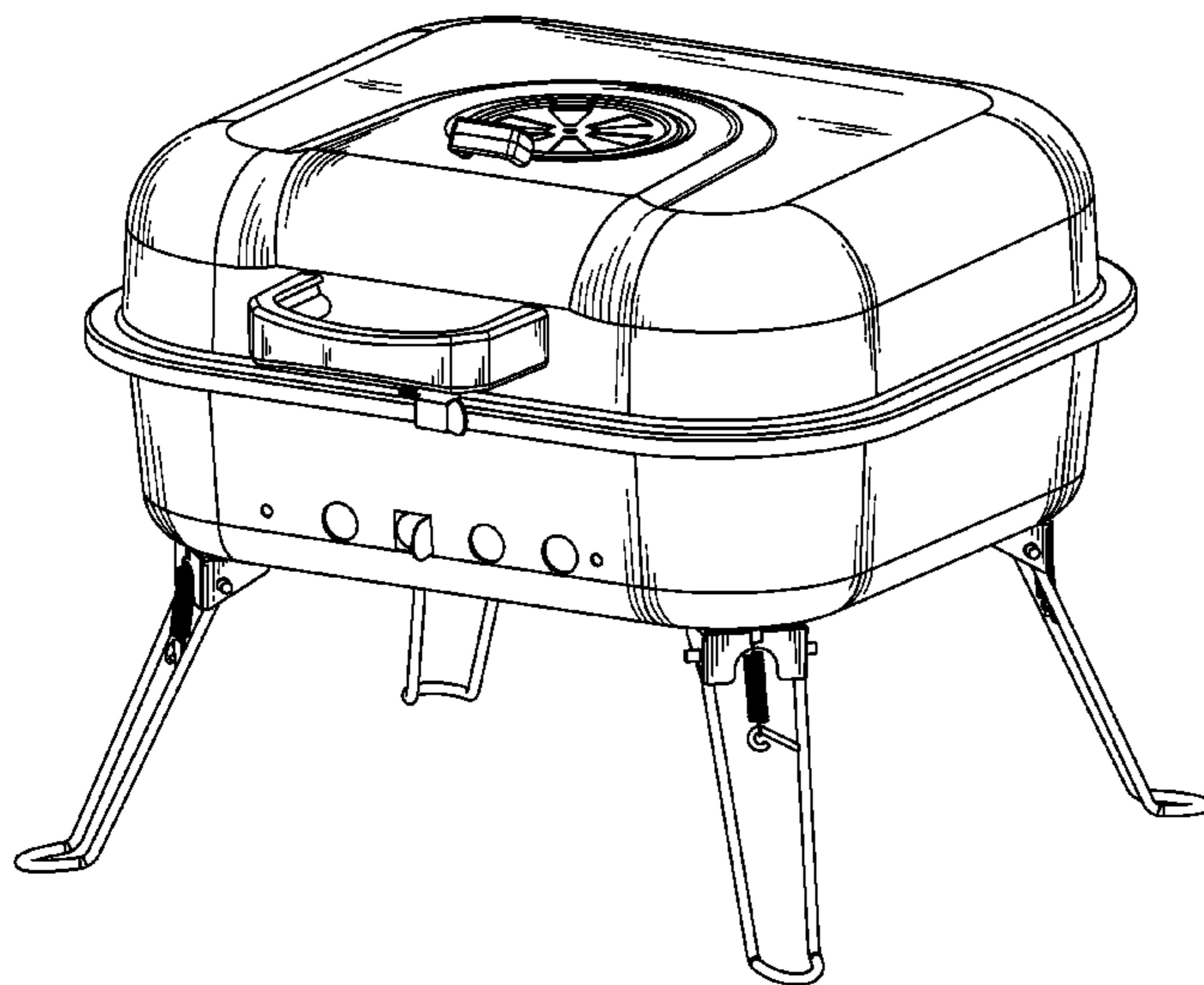
FIG. 4 is a left side elevational view thereof;

FIG. 5 is a right side elevational view thereof;

FIG. 6 is a top plan view thereof; and,

FIG. 7 is a bottom plan view thereof.

1 Claim, 7 Drawing Sheets



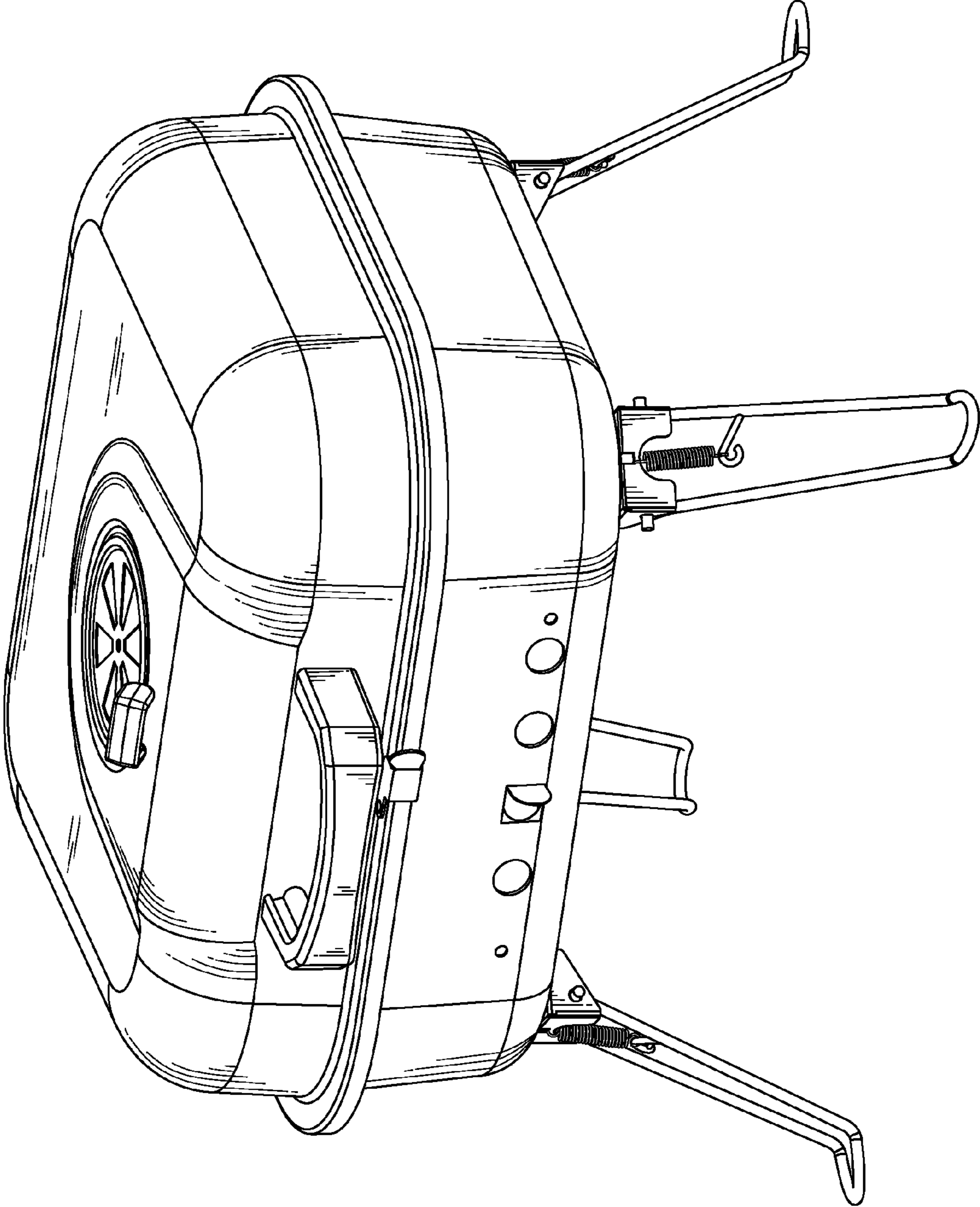


FIG. 1

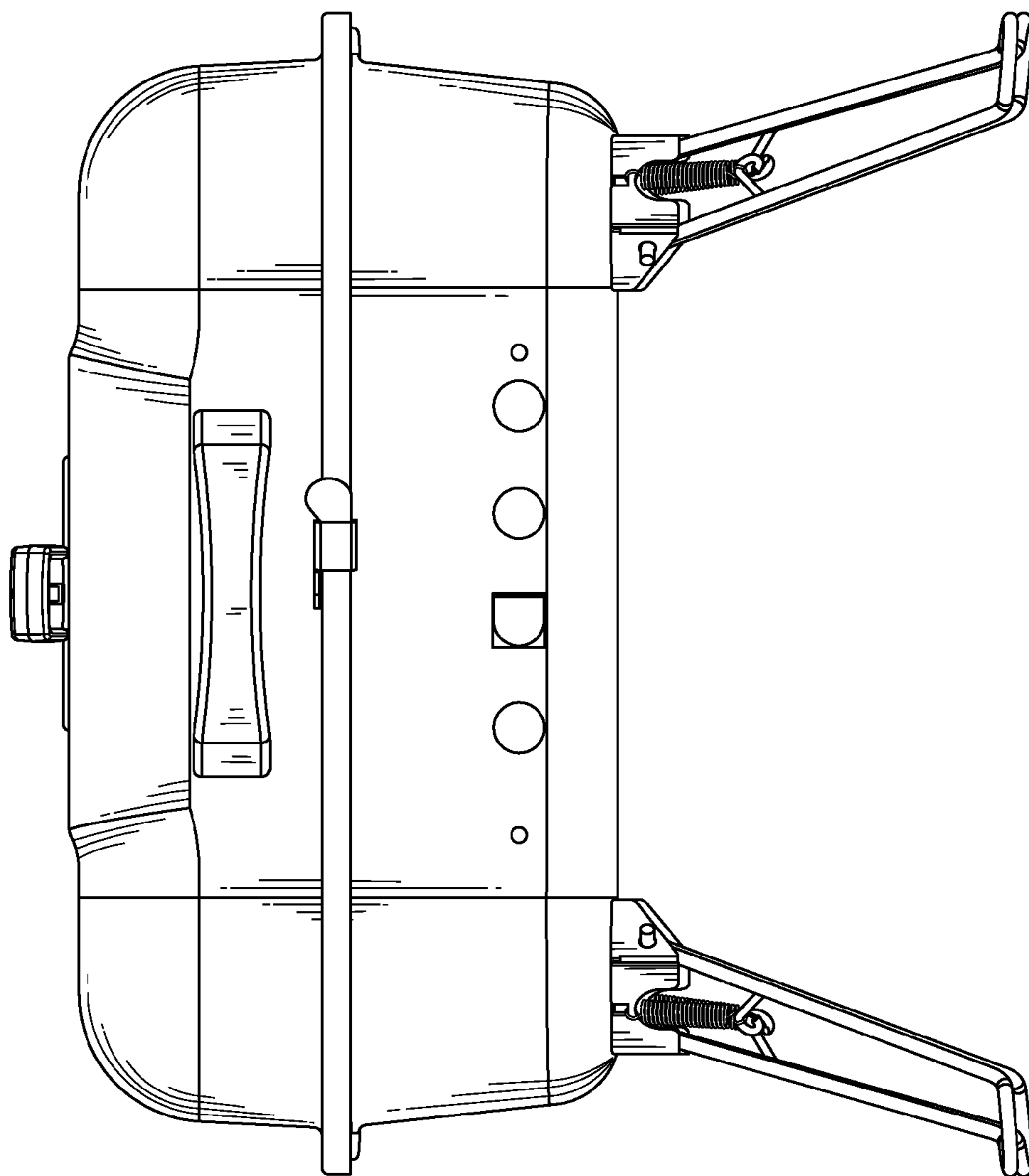


FIG. 2

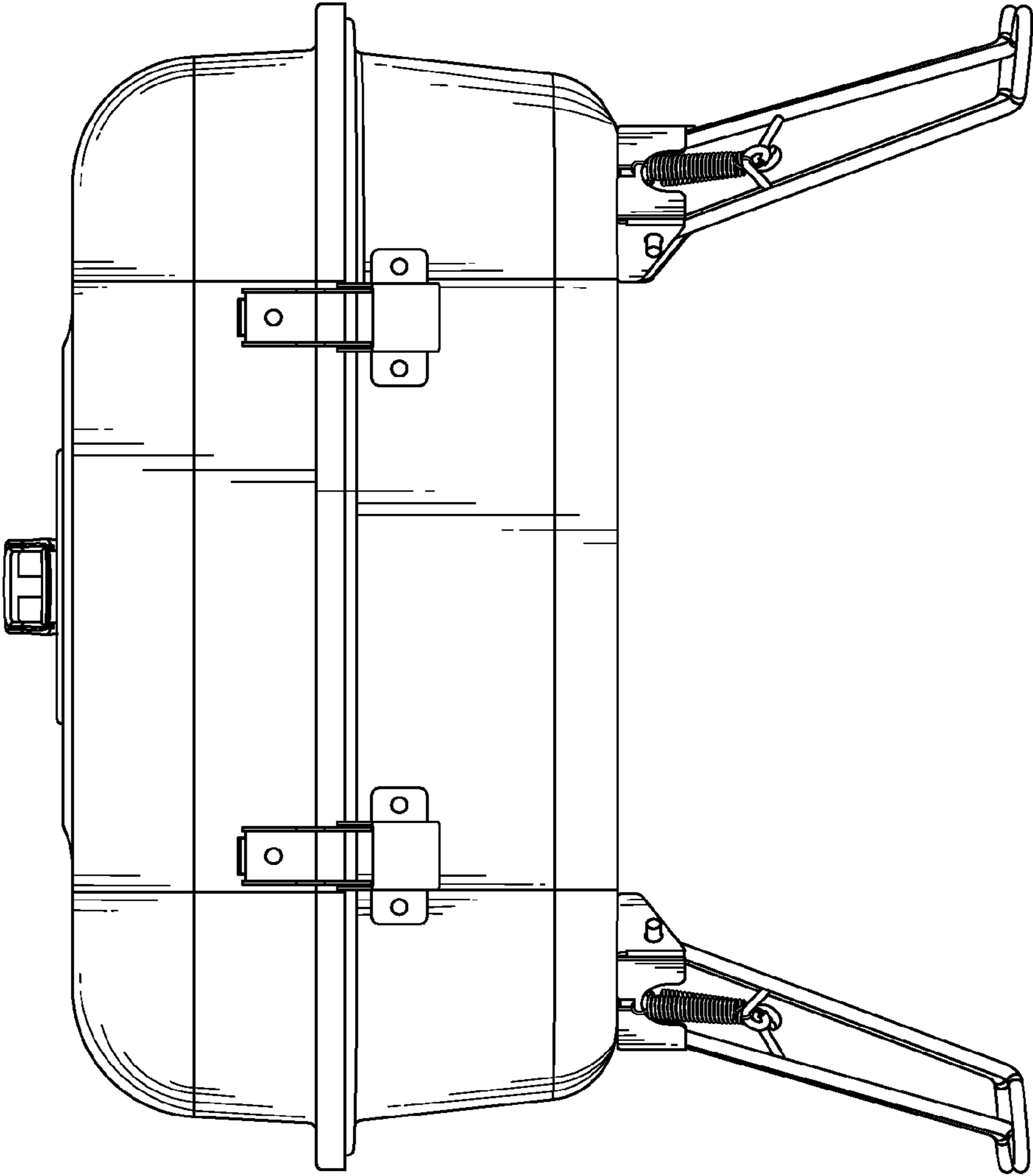


FIG. 3

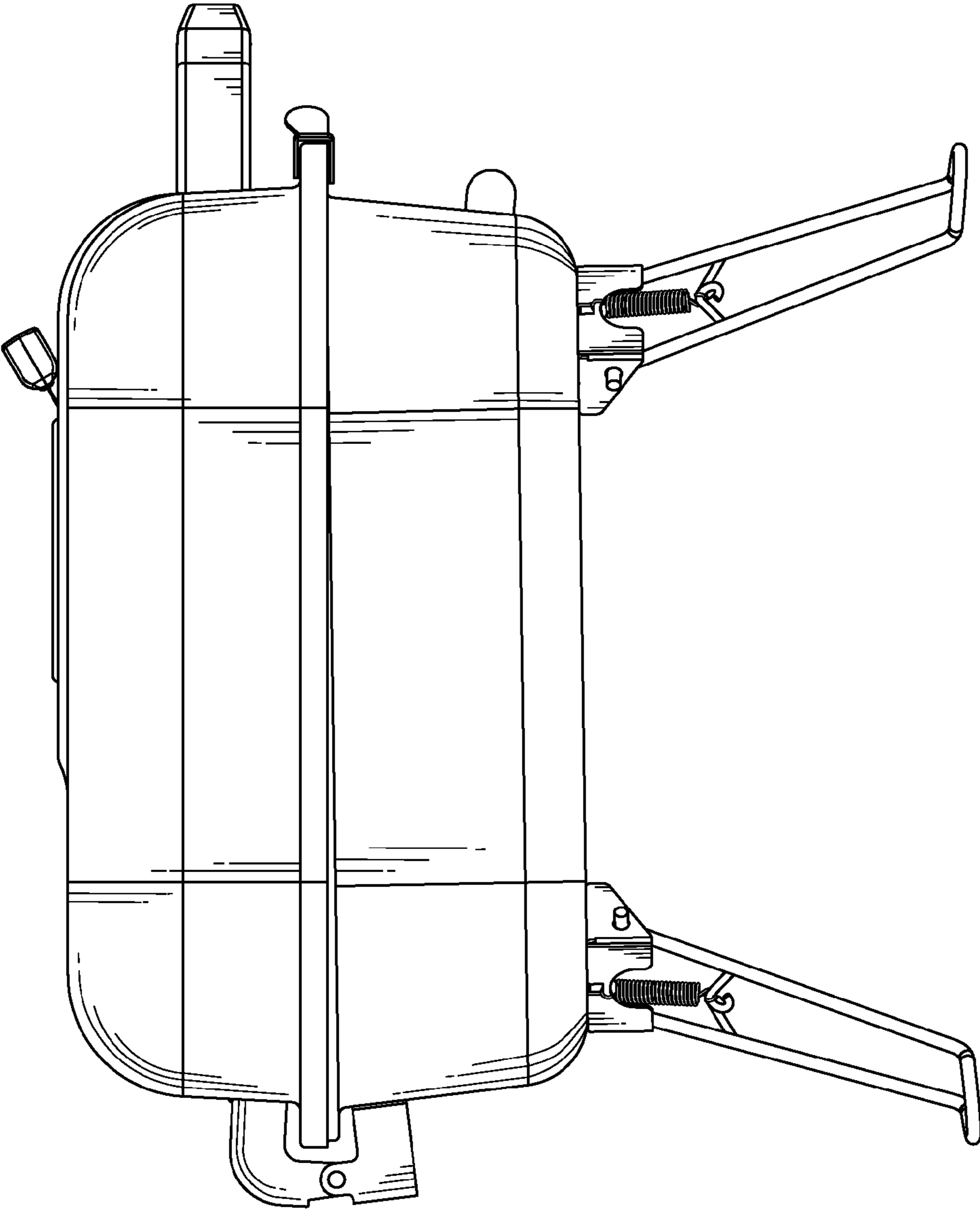


FIG. 4

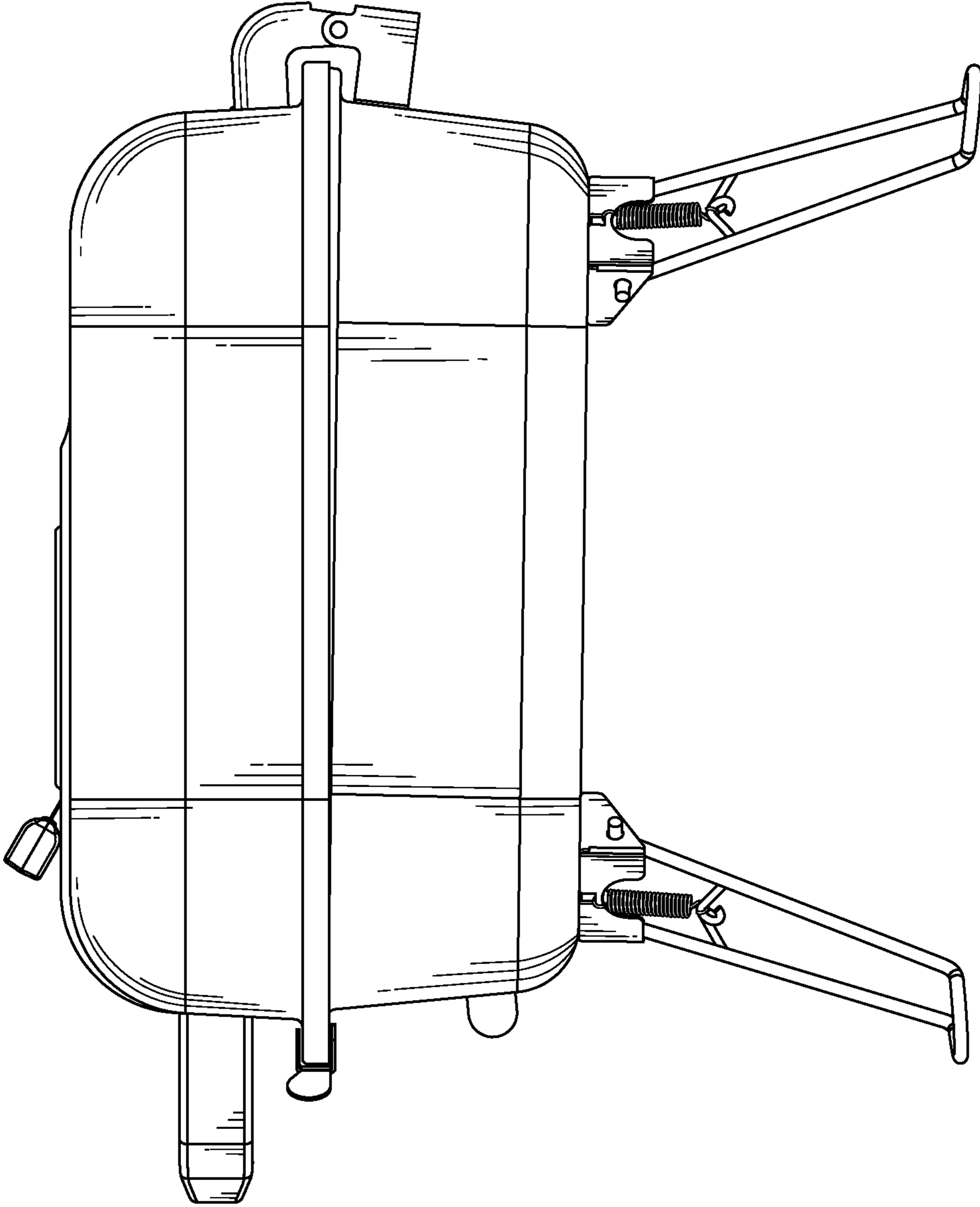


FIG. 5

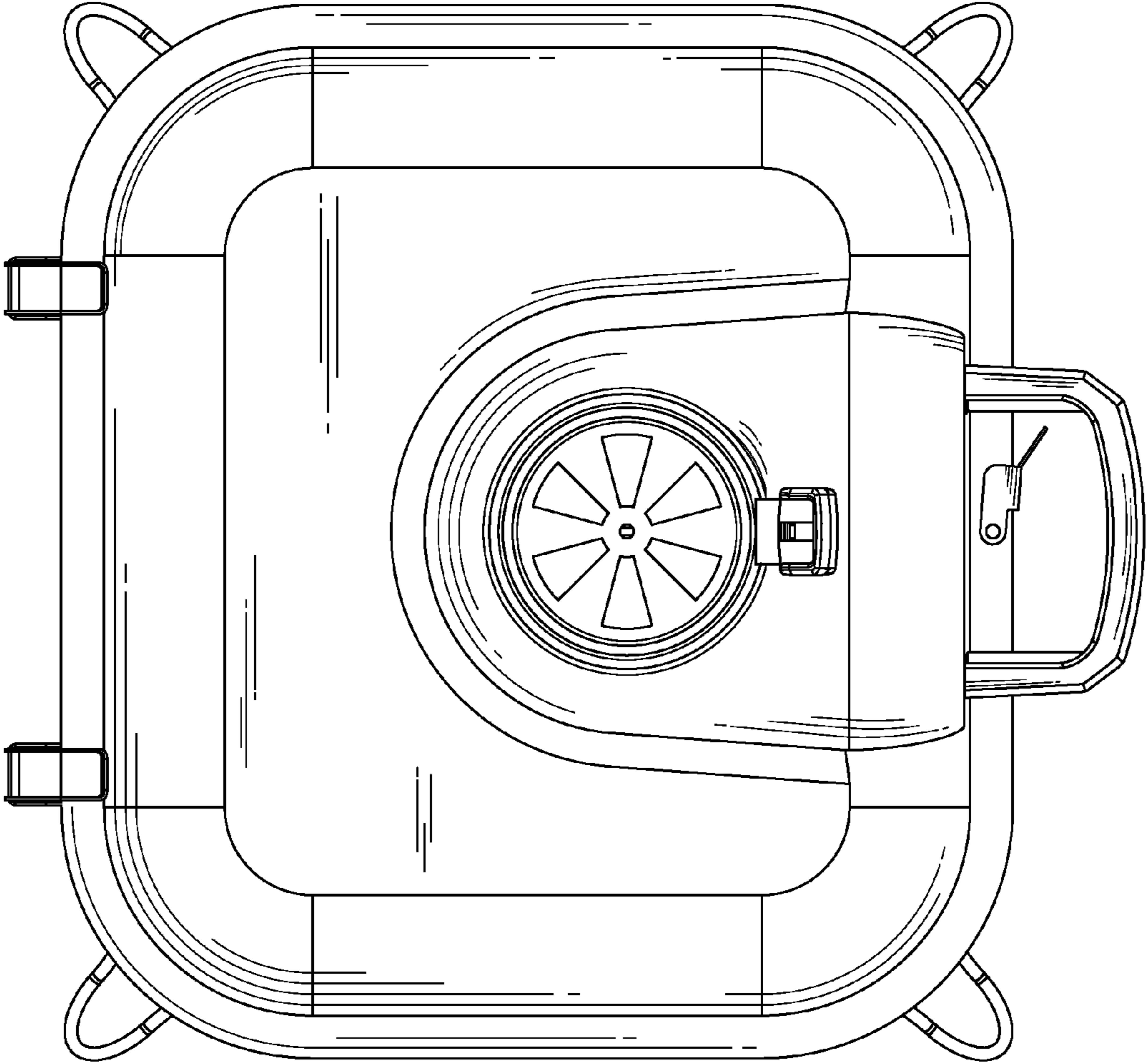


FIG. 6

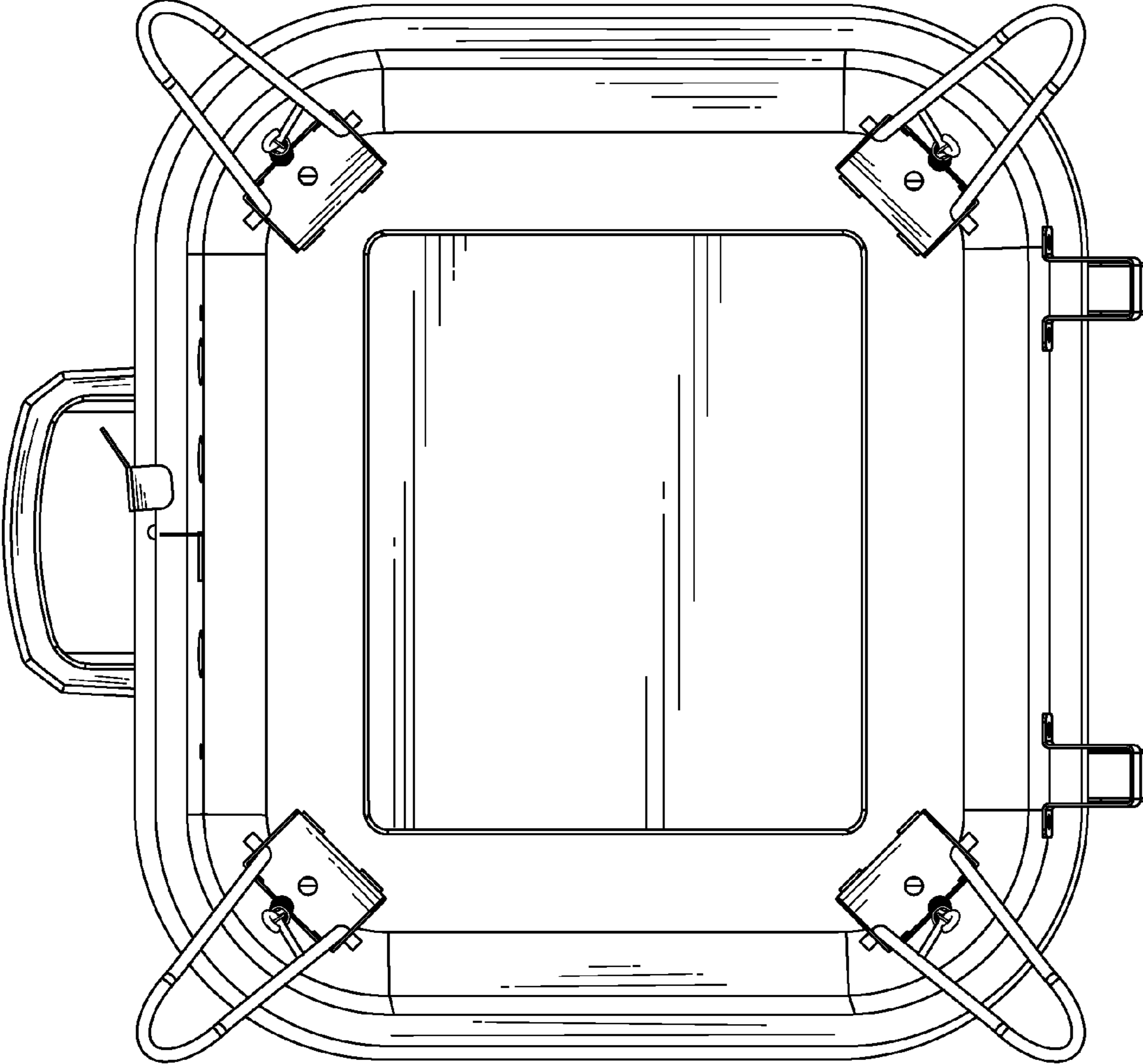


FIG. 7