



US00D610861S

(12) **United States Design Patent**  
**Chung**

(10) **Patent No.:** **US D610,861 S**  
(45) **Date of Patent:** **\*\* Mar. 2, 2010**

(54) **BARBECUE GRILL**

(76) Inventor: **Kiosky Chung**, No. 72, Chaoguei Rd.,  
Situn District, Taichung City 407 (TW)

(\*\*) Term: **14 Years**

(21) Appl. No.: **29/340,127**

(22) Filed: **Jul. 14, 2009**

(51) **LOC (9) Cl.** ..... **15-05**

(52) **U.S. Cl.** ..... **D7/337**

(58) **Field of Classification Search** ..... D7/402,  
D7/403, 407, 409, 332, 337; 126/40, 43,  
126/44, 50, 9 R, 25 A, 41 R; 99/445, 448,  
99/450, 372

See application file for complete search history.

(56) **References Cited**

**U.S. PATENT DOCUMENTS**

D498,113 S *	11/2004	Zhang	.....	D7/332
D498,114 S *	11/2004	Zhang	.....	D7/337
D499,299 S *	12/2004	Zhang	.....	D7/337
D511,433 S *	11/2005	Zhang	.....	D7/337
D526,831 S *	8/2006	Chung	.....	D7/332
D527,571 S *	9/2006	Chung	.....	D7/332
D549,038 S *	8/2007	Chung	.....	D7/337

D573,399 S *	7/2008	Chung	.....	D7/337
D600,494 S *	9/2009	Chung	.....	D7/337
D600,969 S *	9/2009	Chung	.....	D7/337
D600,970 S *	9/2009	Chung	.....	D7/337

\* cited by examiner

*Primary Examiner*—Ruth McInroy  
(74) *Attorney, Agent, or Firm*—Banger Shia

(57) **CLAIM**

I claim the ornamental design for a barbecue grill, as shown and described.

**DESCRIPTION**

FIG. 1 is a perspective view of a barbecue grill, showing my new design;

FIG. 2 is a front elevational view thereof;

FIG. 3 is a rear elevational view thereof;

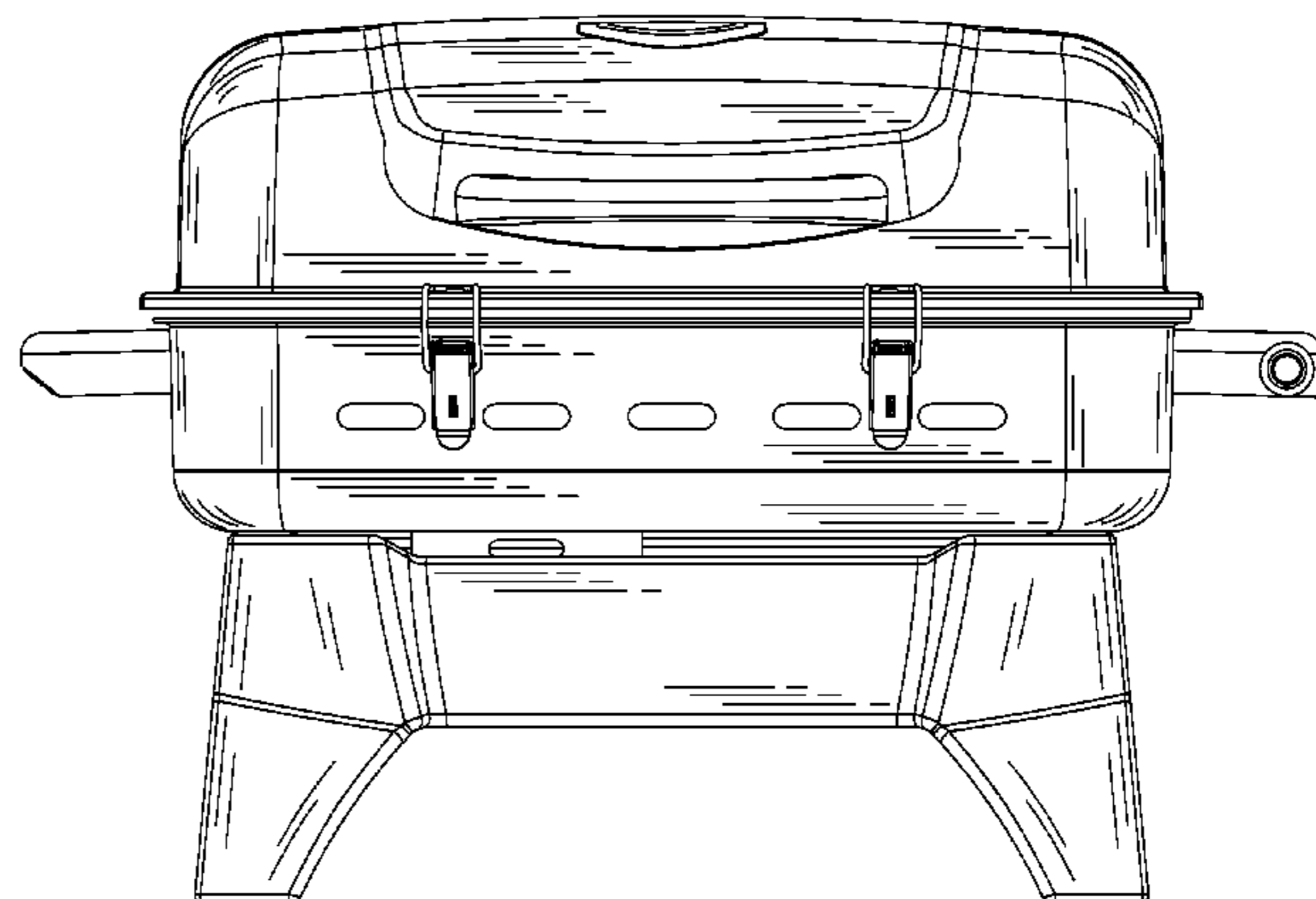
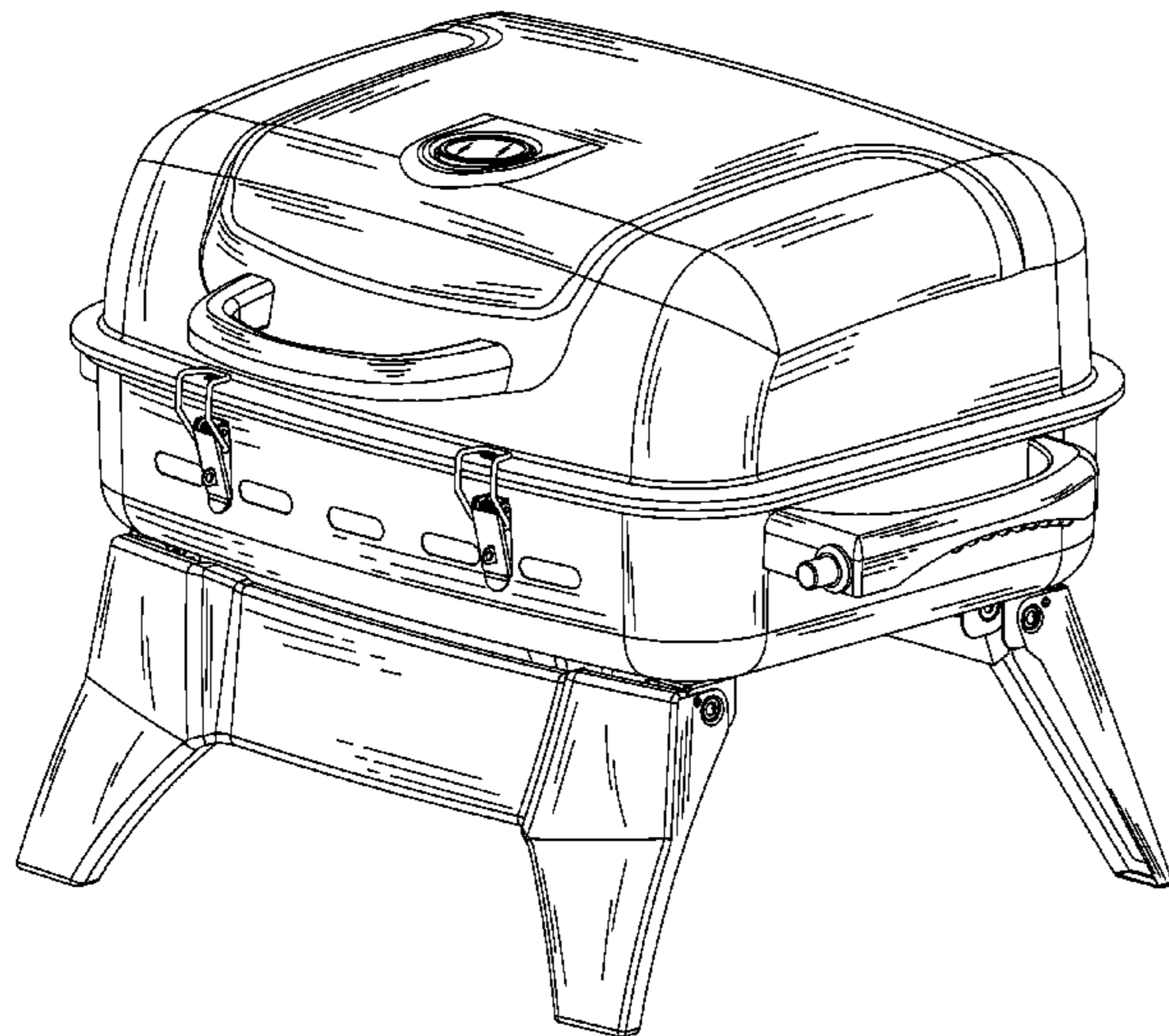
FIG. 4 is a left side elevational view thereof;

FIG. 5 is a right side elevational view thereof;

FIG. 6 is a top plan view thereof; and,

FIG. 7 is a bottom plan view thereof.

**1 Claim, 7 Drawing Sheets**



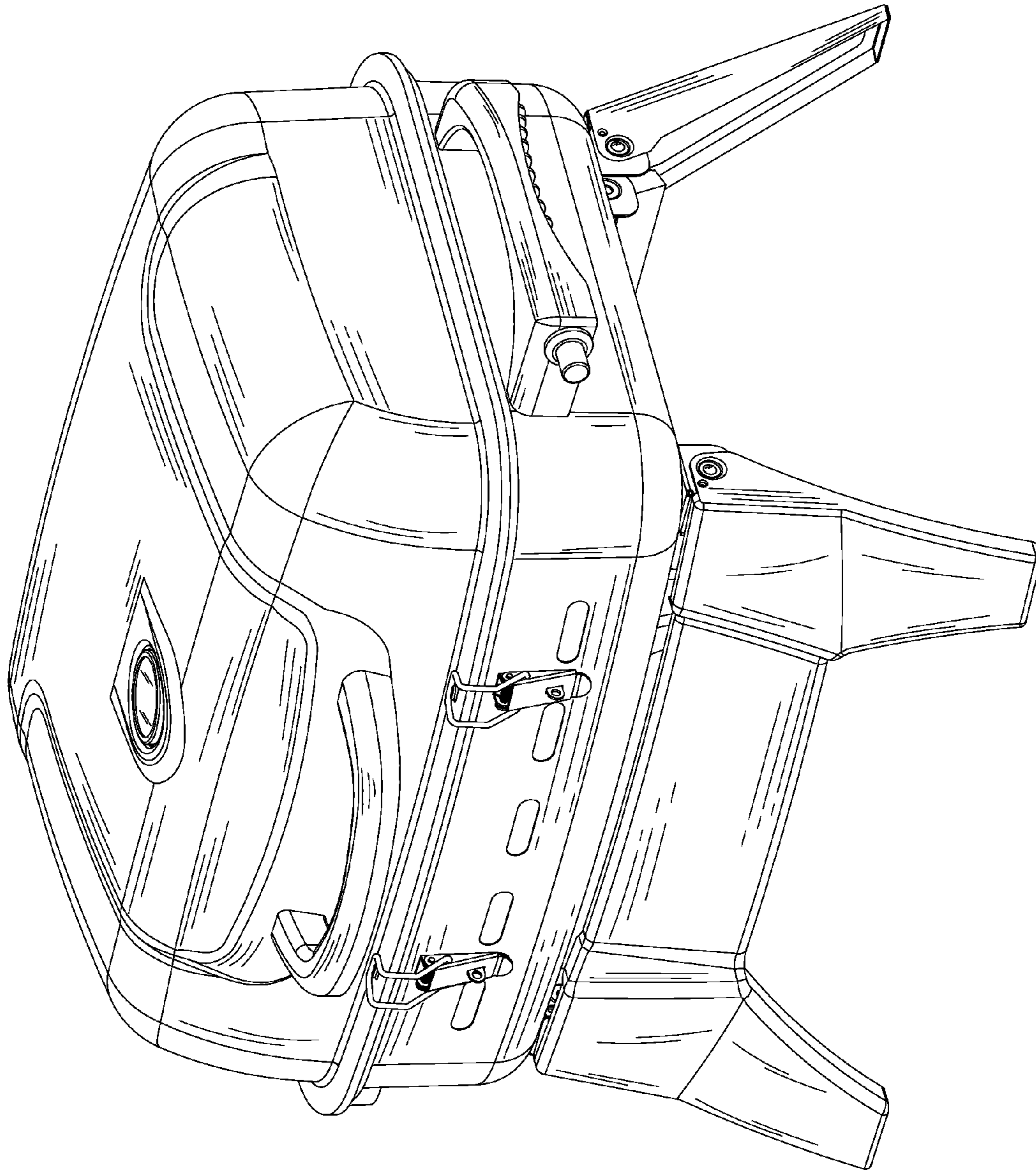


FIG. 1

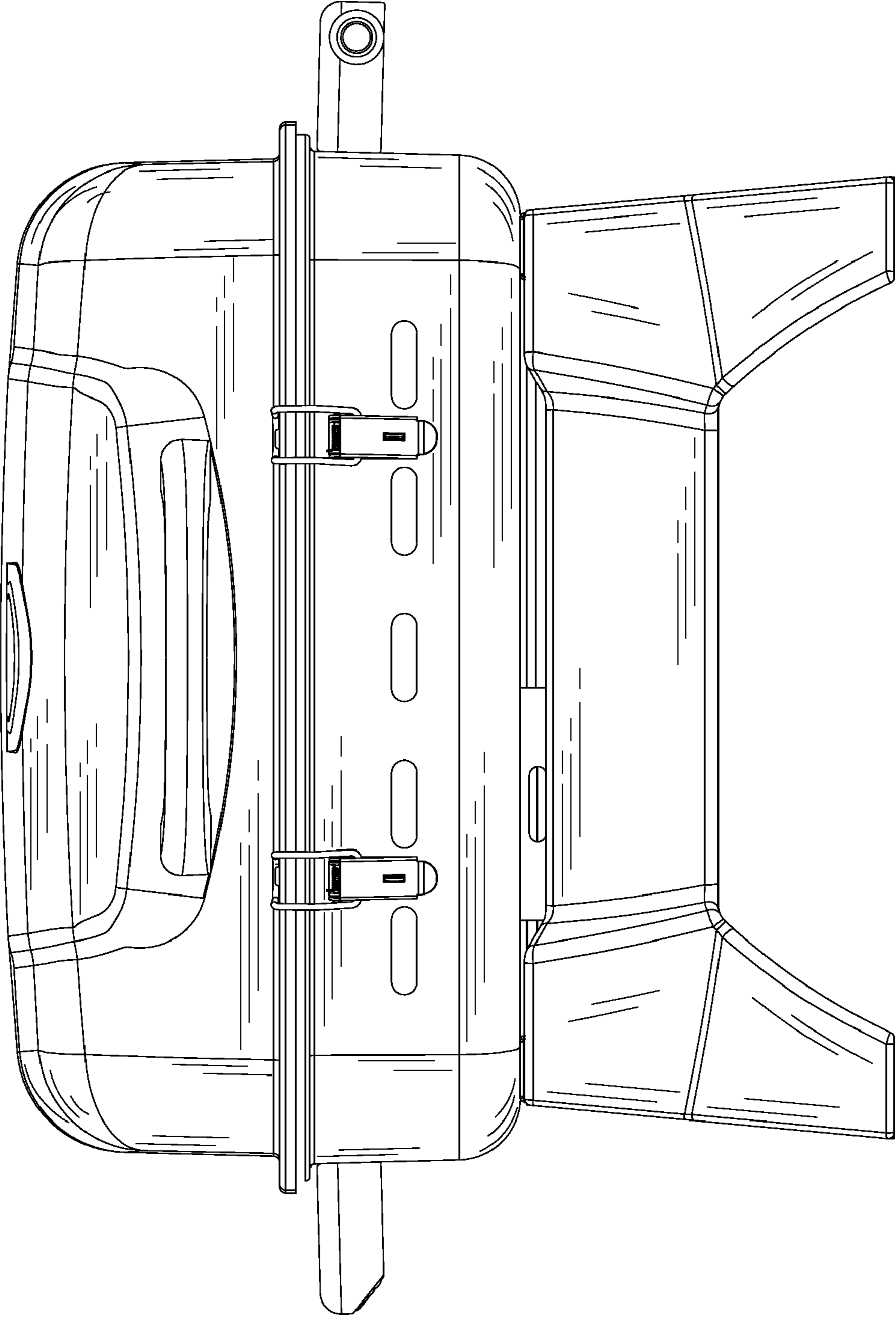


FIG. 2

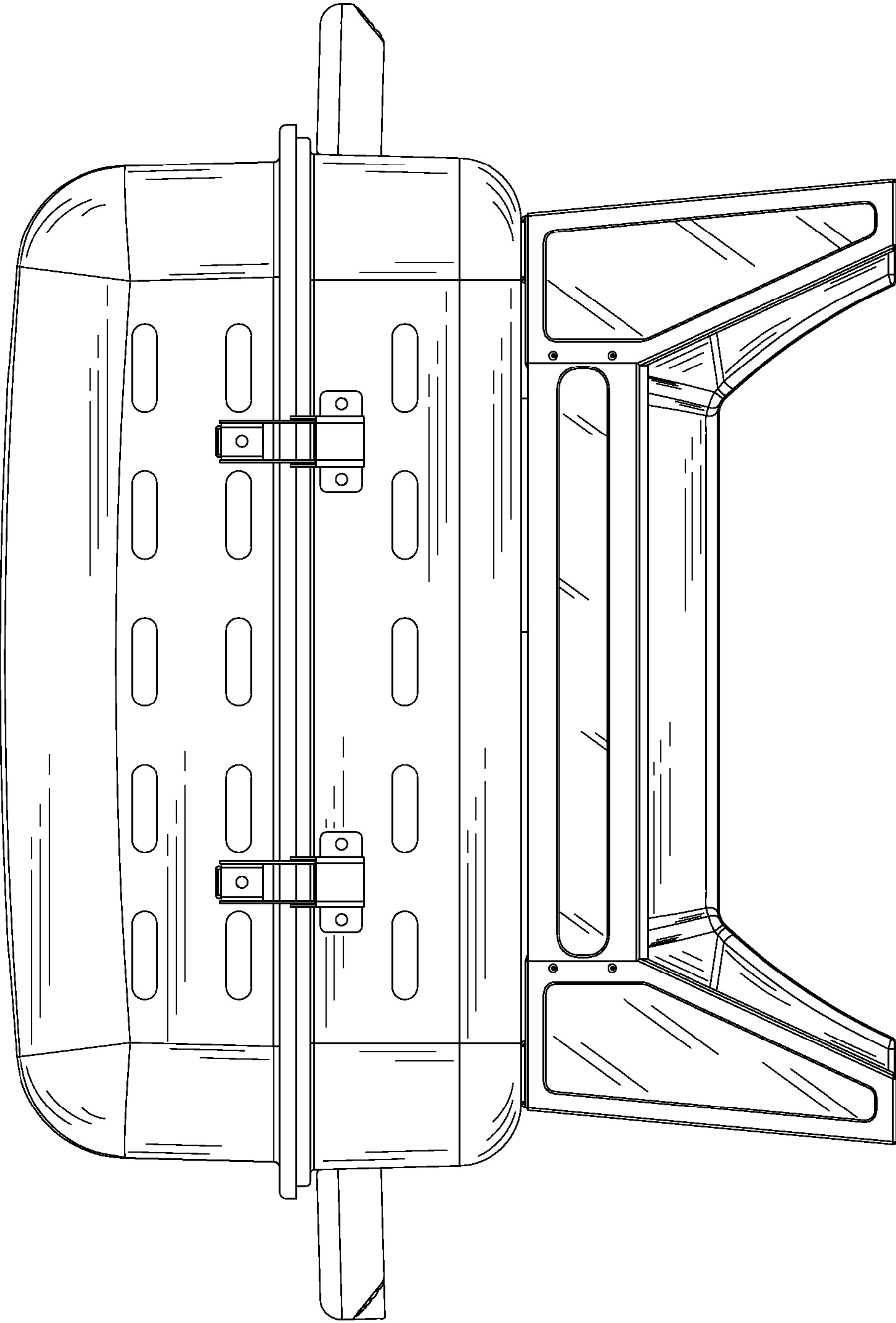


FIG. 3

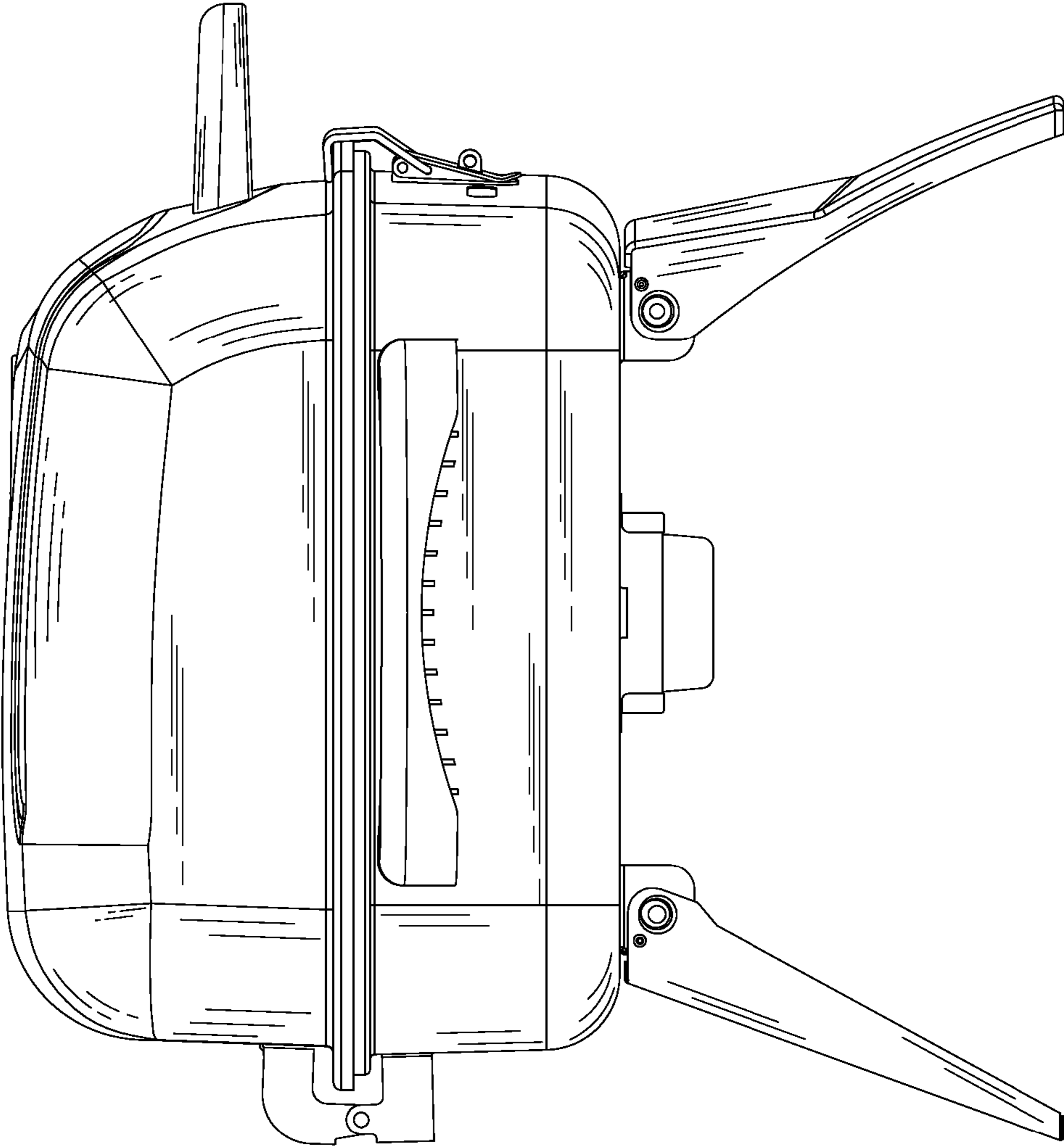


FIG. 4

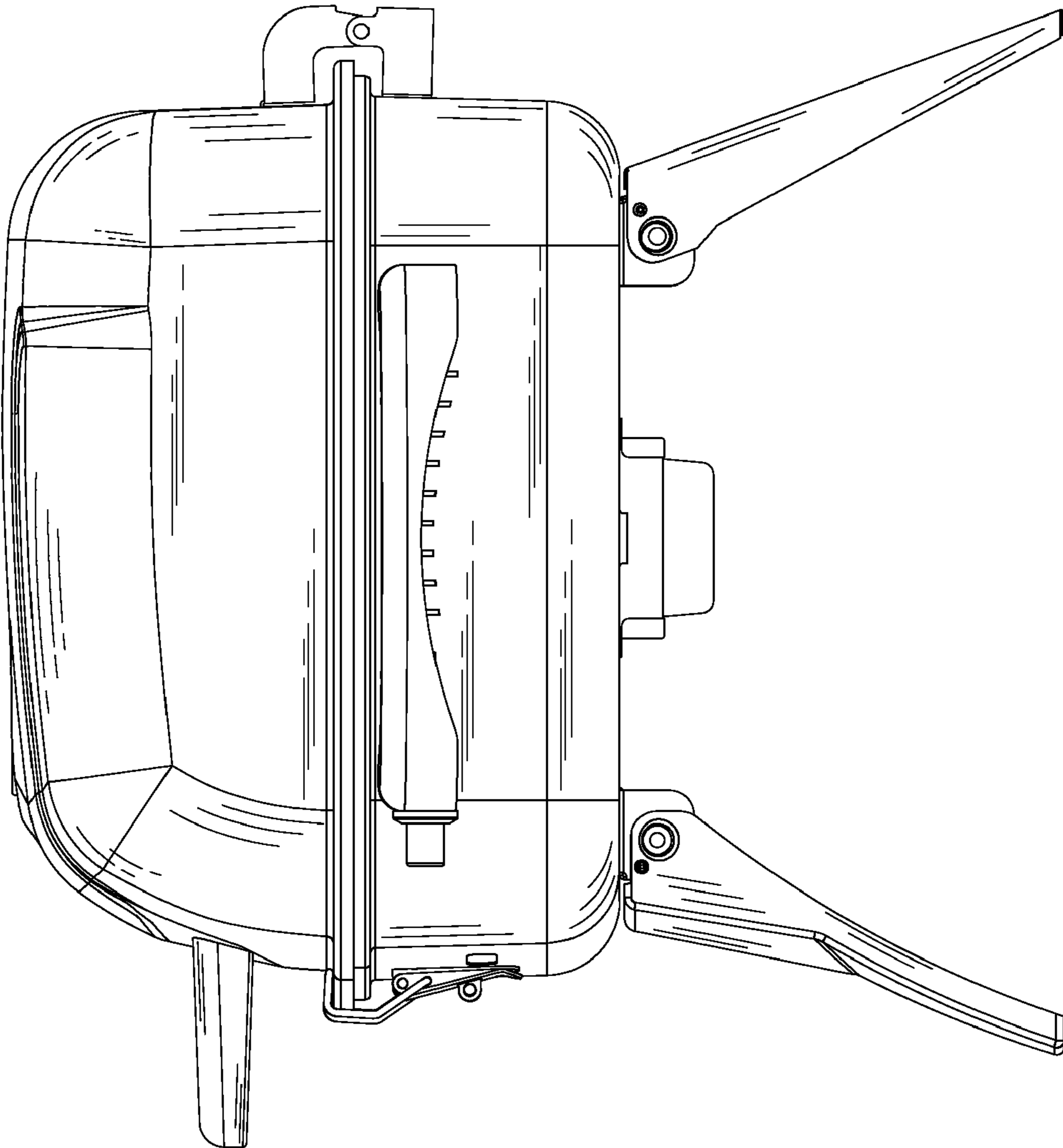


FIG. 5

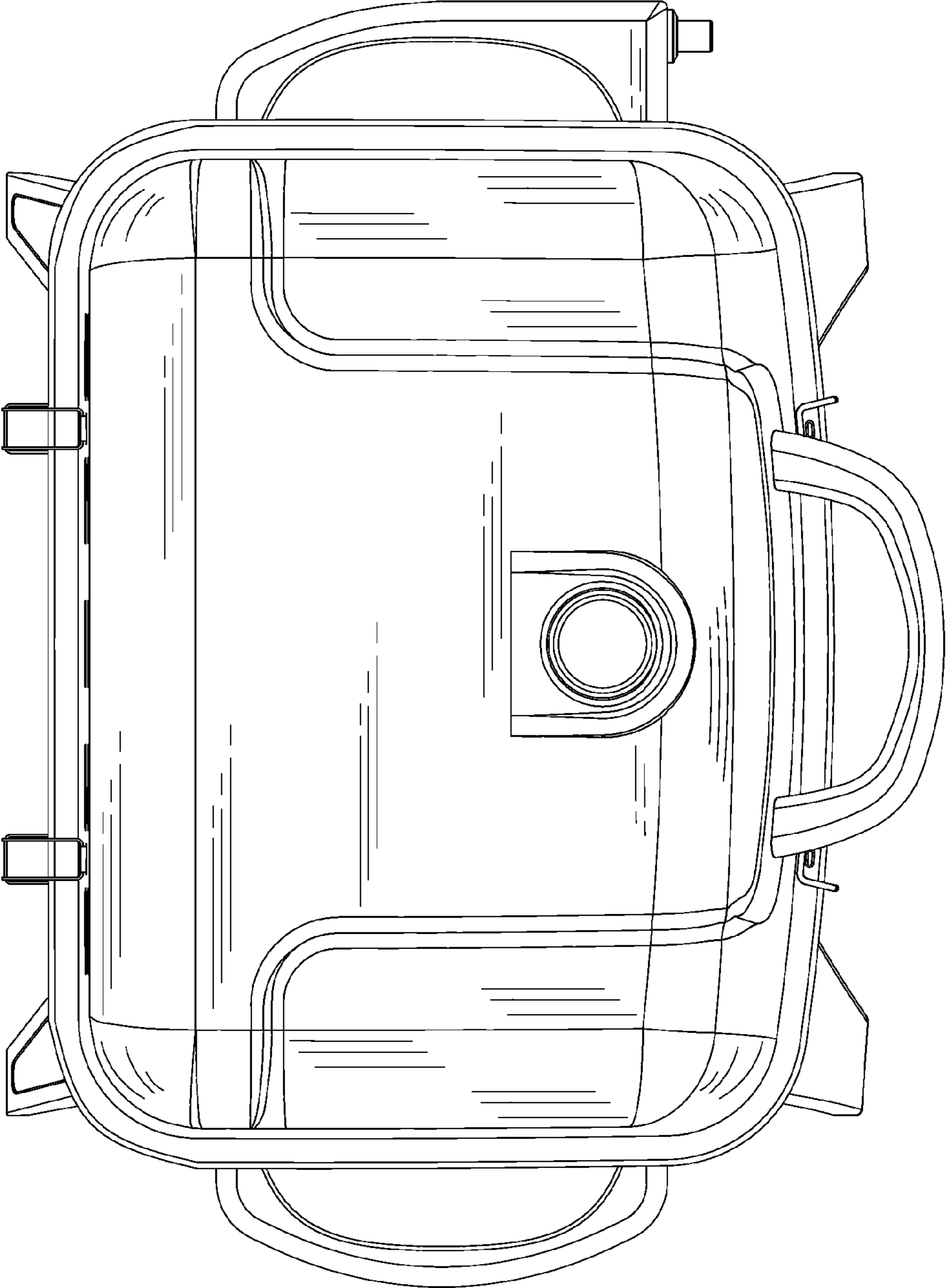


FIG. 6

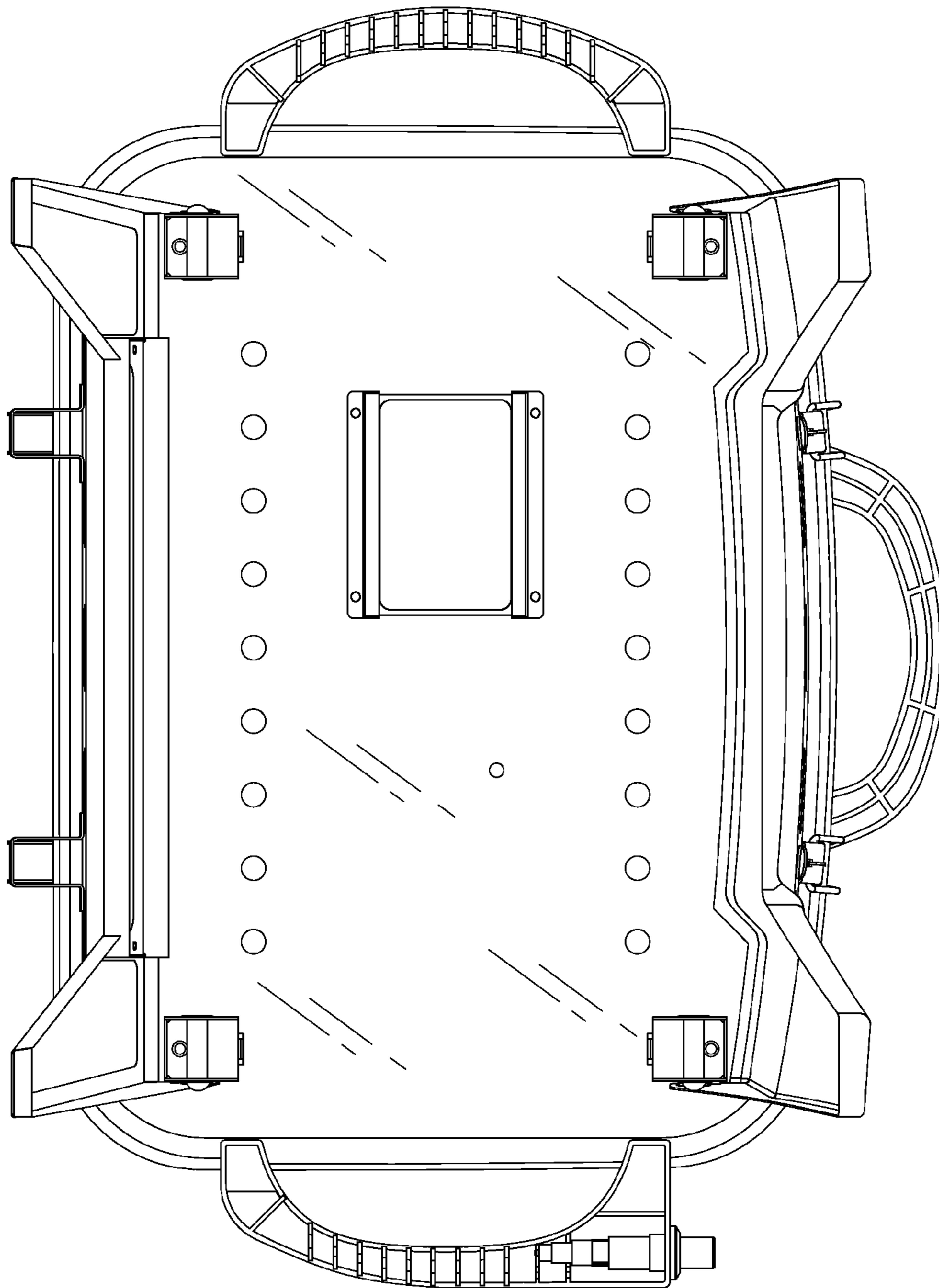


FIG. 7