



US00D610859S

(12) **United States Design Patent**  
**Lundstrom**

(10) **Patent No.:** **US D610,859 S**  
(45) **Date of Patent:** **\*\* Mar. 2, 2010**

(54) **WATER PURIFIER**

(75) Inventor: **Magnus Lundstrom**, New York, NY  
(US)

(73) Assignee: **Blueair AB**, Stockholm (SE)

(\*\*) Term: **14 Years**

(21) Appl. No.: **29/324,689**

(22) Filed: **Sep. 18, 2008**

(51) **LOC (9) Cl.** ..... **07-01**

(52) **U.S. Cl.** ..... **D7/319; D7/317**

(58) **Field of Classification Search** ..... **D7/300,**  
**D7/316-319, 600, 598; 222/196, 465.1;**  
**99/323, 289, 297 P; D23/207, 209**

See application file for complete search history.

(56) **References Cited**

**U.S. PATENT DOCUMENTS**

D270,602 S *	9/1983	Fritz	.....	D7/319
D286,364 S *	10/1986	Gecchelin	.....	D7/317
4,967,939 A *	11/1990	Taylor	.....	222/196
D377,132 S *	1/1997	J.o slashed.rgensen	.....	D7/318
D457,377 S *	5/2002	J.o slashed.rgensen	.....	D7/319
6,394,322 B1 *	5/2002	Sekiya et al.	.....	222/465.1
D458,505 S *	6/2002	Bodum	.....	D7/319
6,797,160 B2 *	9/2004	Huang	.....	210/117
D498,638 S *	11/2004	Morrison	.....	D7/319
D500,626 S *	1/2005	Ranzoni	.....	D7/317
D512,262 S *	12/2005	Coppo	.....	D7/318

D542,078 S *	5/2007	Bodum	.....	D7/319
D557,978 S *	12/2007	Bodum	.....	D7/399
D560,951 S *	2/2008	Appleton	.....	D7/317
D567,568 S *	4/2008	Bodum	.....	D7/316
D568,667 S *	5/2008	Appleton	.....	D7/319
D573,396 S *	7/2008	Gauss	.....	D7/319
7,421,941 B2 *	9/2008	Kim	.....	99/337
D584,559 S *	1/2009	Bodum	.....	D7/319
D586,172 S *	2/2009	Brizio	.....	D7/319
D587,059 S *	2/2009	Bodum	.....	D7/319
D587,513 S *	3/2009	Bodum	.....	D7/319
D594,267 S *	6/2009	Bodum	.....	D7/319

\* cited by examiner

*Primary Examiner*—Marianne Pandozzi

(74) *Attorney, Agent, or Firm*—Young & Thompson

(57) **CLAIM**

The ornamental design for a water purifier, as shown and described.

**DESCRIPTION**

FIG. 1 is a top and side perspective view of a water purifier showing my new design;

FIG. 2 is a front elevational view thereof;

FIG. 3 is an elevational view thereof from the right of FIG. 2, the elevational view from the left of FIG. 2 being the mirror image thereof; and,

FIG. 4 is a top plan view thereof.

**1 Claim, 2 Drawing Sheets**

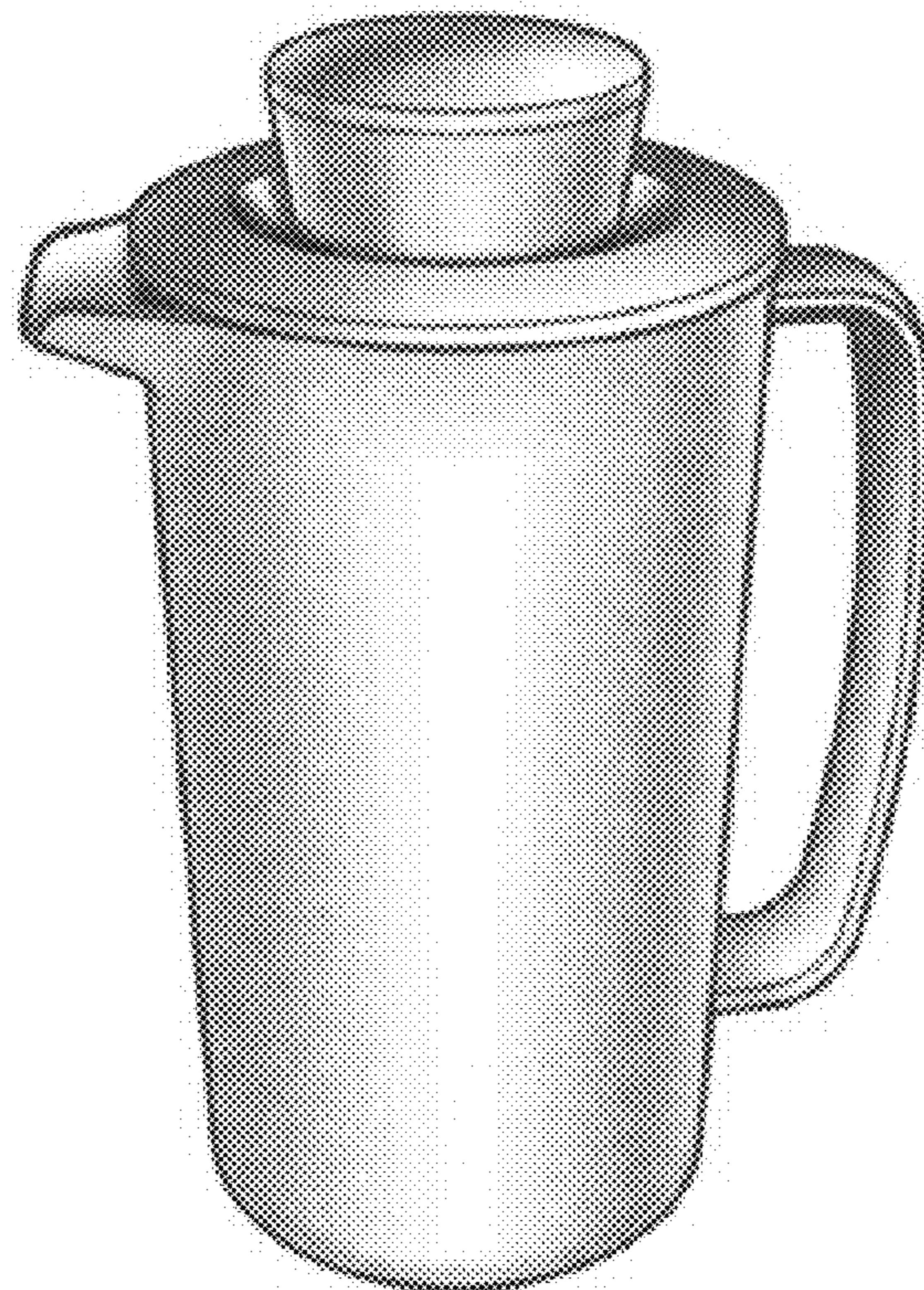


FIG. 1

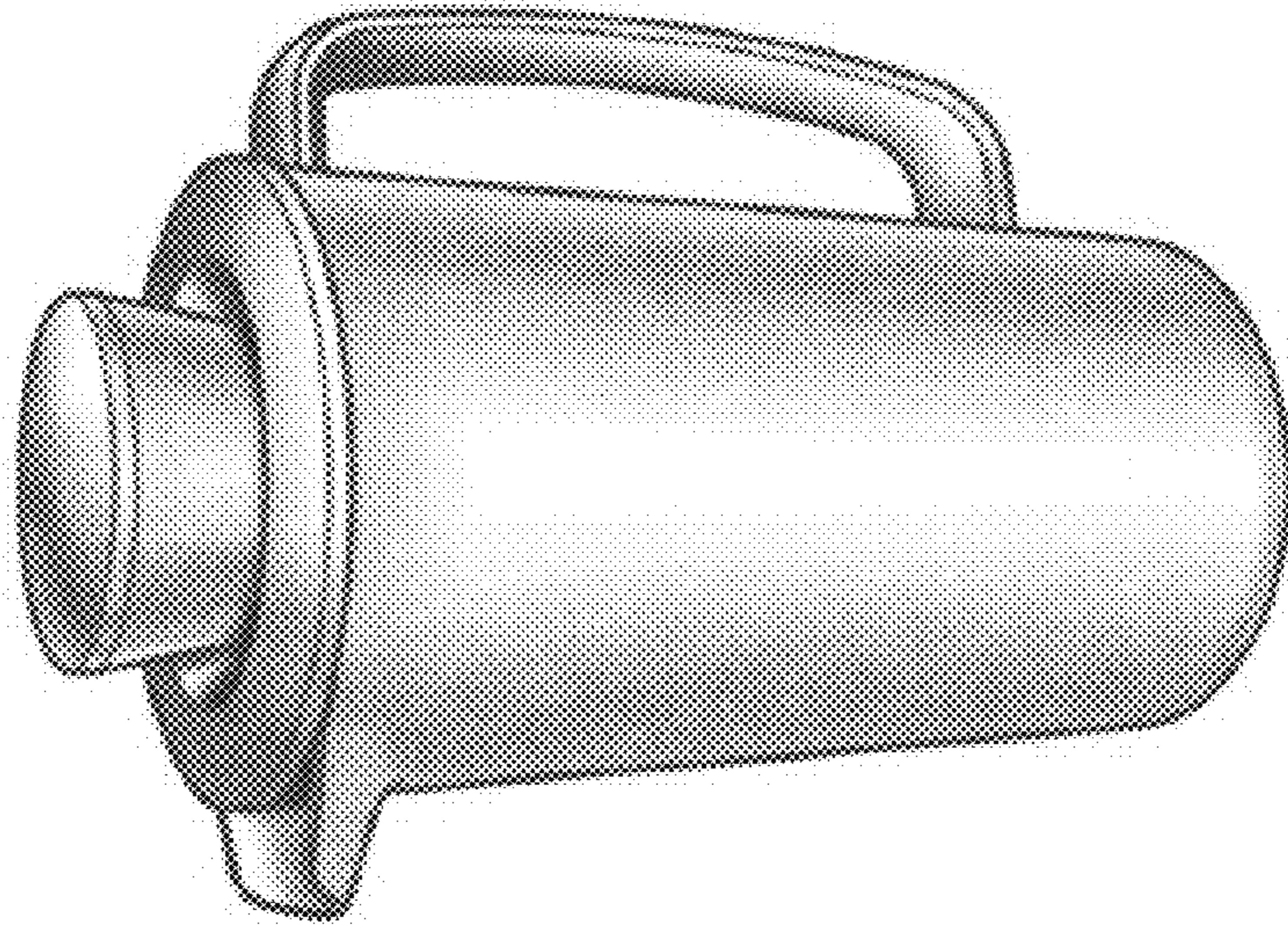


FIG. 2

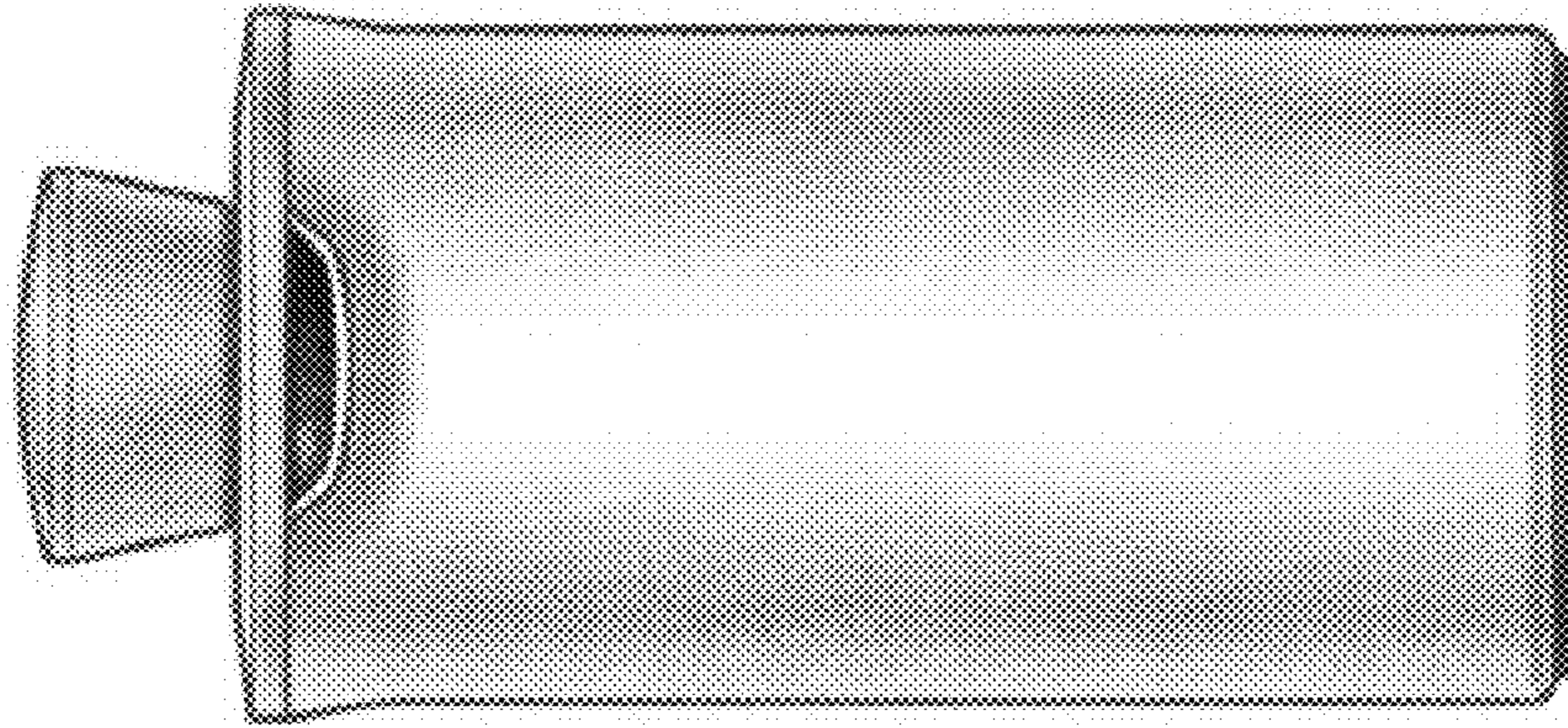


FIG. 3

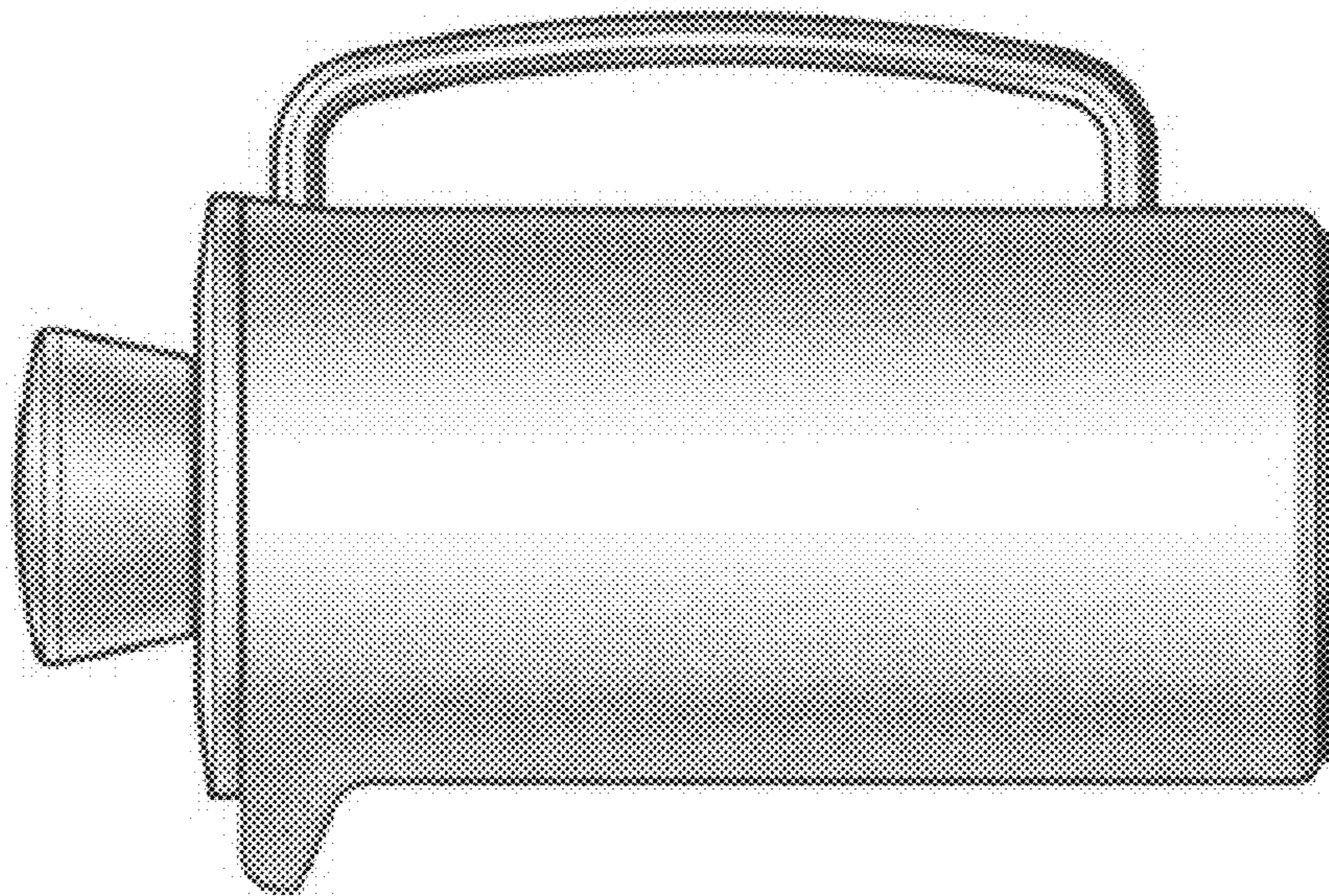


FIG.4

