



US00D610858S

(12) **United States Design Patent**
Jordana

(10) **Patent No.:** **US D610,858 S**
(45) **Date of Patent:** **** Mar. 2, 2010**

(54) **COFFEE MAKER**

(75) Inventor: **Luis Moreno Jordana**, Vitoria (ES)

(73) Assignee: **Celaya Emparanza y Galdos Internacional, S.A.**, Vitoria (Alava) (ES)

(**) Term: **14 Years**

(21) Appl. No.: **29/332,967**

(22) Filed: **Feb. 27, 2009**

(30) **Foreign Application Priority Data**

Sep. 3, 2008 (EM) 000995741-0001

(51) **LOC (9) Cl.** **07-01**

(52) **U.S. Cl.** **D7/309; D7/311**

(58) **Field of Classification Search** D7/300,
D7/305-312; 222/185.1, 129.1-129.4; 99/295,
99/275, 300, 302, 306; D20/1, 4, 5; D15/82
See application file for complete search history.

(56) **References Cited**

U.S. PATENT DOCUMENTS

D423,861 S *	5/2000	Graffius	D7/305
6,860,764 B2 *	3/2005	Khoury	439/638
D540,101 S *	4/2007	Cahen	D7/309
7,249,557 B2 *	7/2007	Fouquet	99/300
D553,897 S *	10/2007	De' Longhi	D7/309
D555,415 S *	11/2007	Lin	D7/309
D573,392 S *	7/2008	Smith	D7/306
D583,609 S *	12/2008	Sluijter	D7/306
D589,291 S *	3/2009	Jerstroem et al.	D7/306
D595,532 S *	7/2009	Plasencia	D7/301
D595,991 S *	7/2009	Zimmerman	D7/307

* cited by examiner

Primary Examiner—Marianne Pandozzi
(74) *Attorney, Agent, or Firm*—Thomas E. Williams; Neal, Gerber & Eisenberg LLP

(57) **CLAIM**

The ornamental design for a coffee maker, as shown and described.

DESCRIPTION

FIG. 1 is a rear elevational view of a coffee maker with the handle of the coffee maker in a lowered position;

FIG. 2 is a rear elevational view thereof with the handle of the coffee maker shown in a raised position;

FIG. 3 is a front elevational view thereof, with the handle of the coffee maker in a lowered position;

FIG. 4 is a front elevational view thereof with the handle of the coffee maker shown in a raised position;

FIG. 5 is a front perspective view thereof, with the handle of the coffee maker in a lowered position;

FIG. 6 is a front perspective view thereof with the handle of the coffee maker shown in a raised position;

FIG. 7 is a bottom plan view thereof;

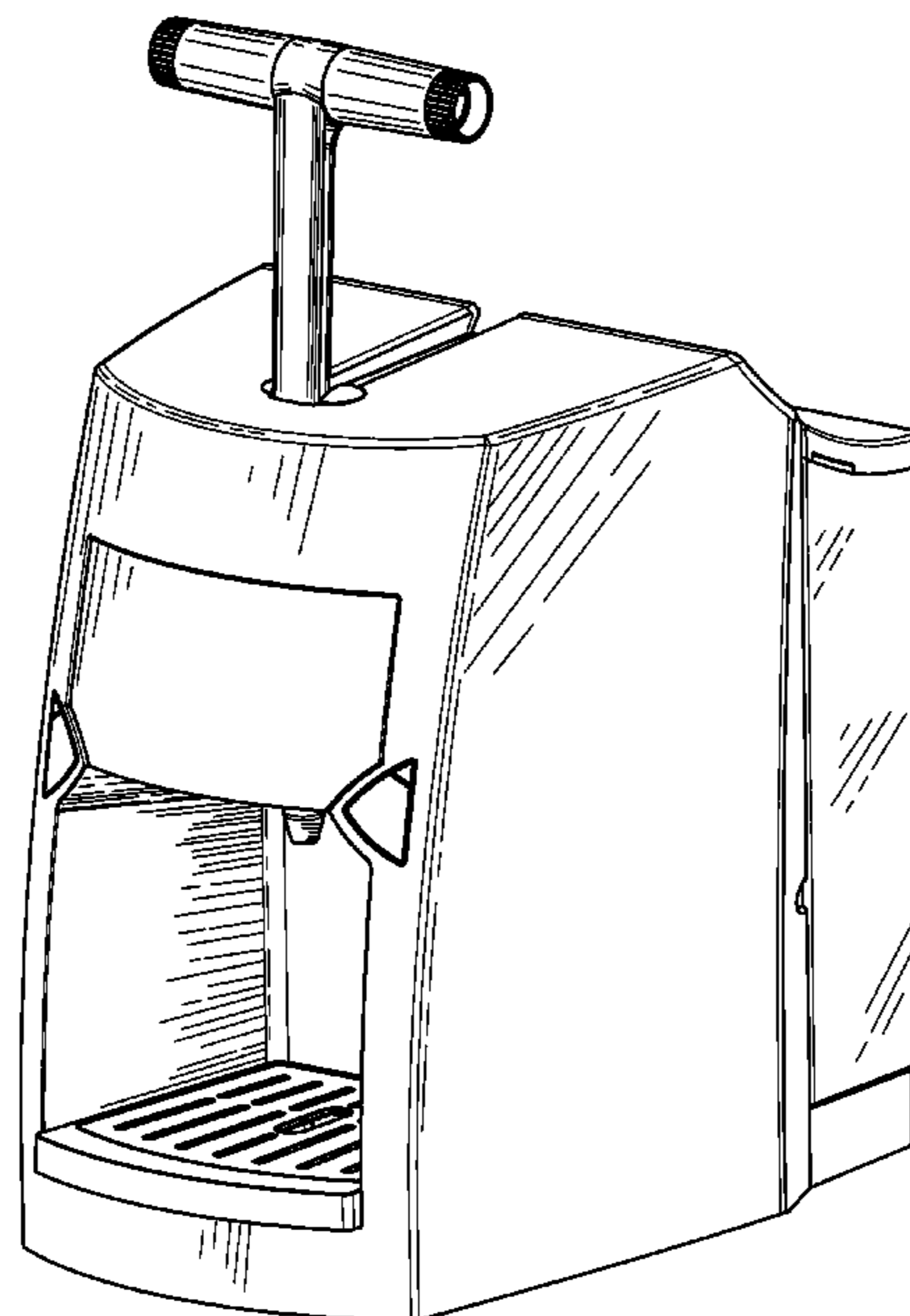
FIG. 8 is a right side elevational view thereof, the left side being a mirror image thereof with the handle of the coffee maker in a lowered position;

FIG. 9 is a right side elevational view thereof with the handle of the coffee maker in a raised position, the left side being a mirror image thereof;

FIG. 10 is a top plan view thereof with the handle of the coffee maker shown in a lowered position; and,

FIG. 11 is a top plan view thereof with the handle of the coffee maker shown in a raised position.

1 Claim, 11 Drawing Sheets



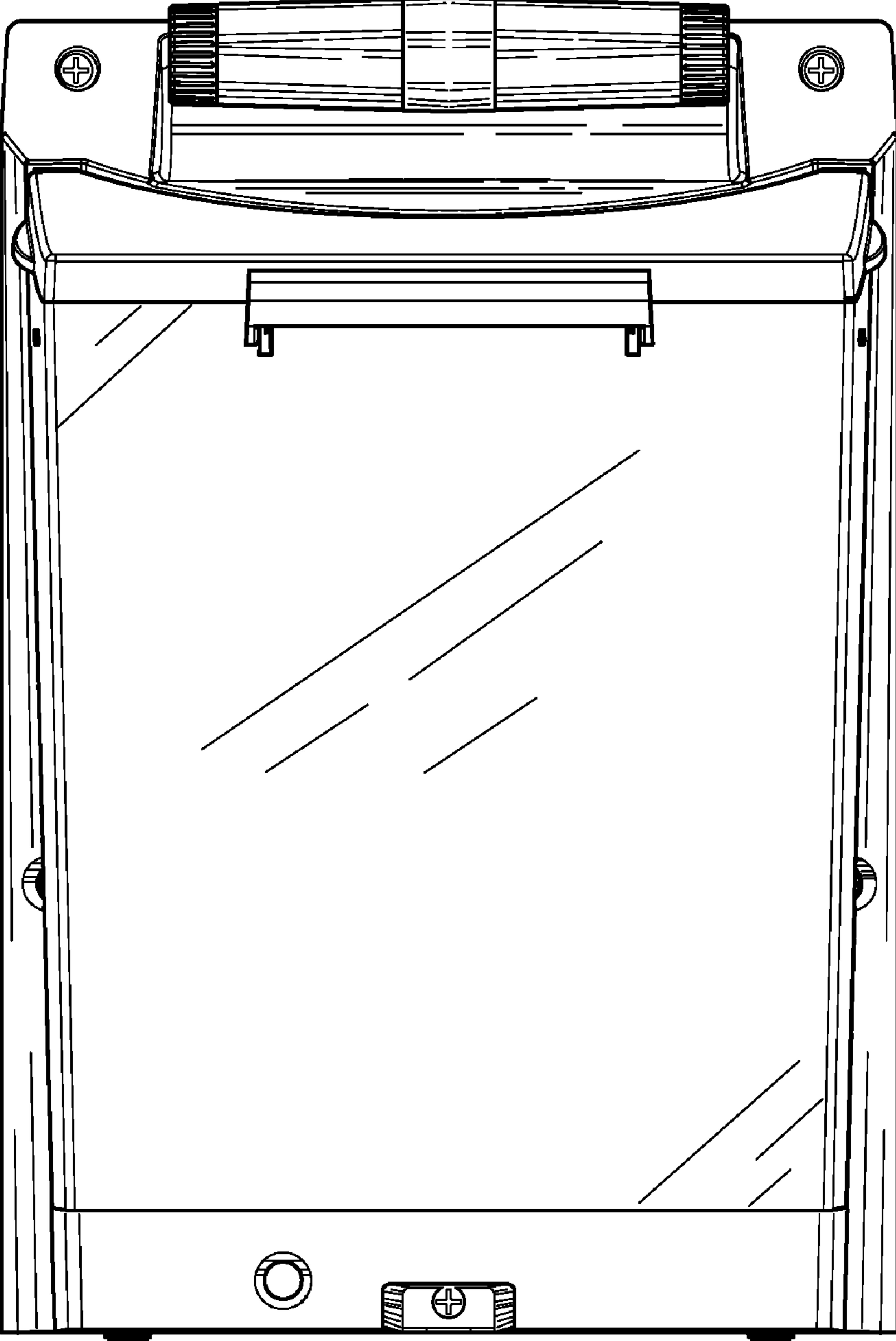


FIG. 1

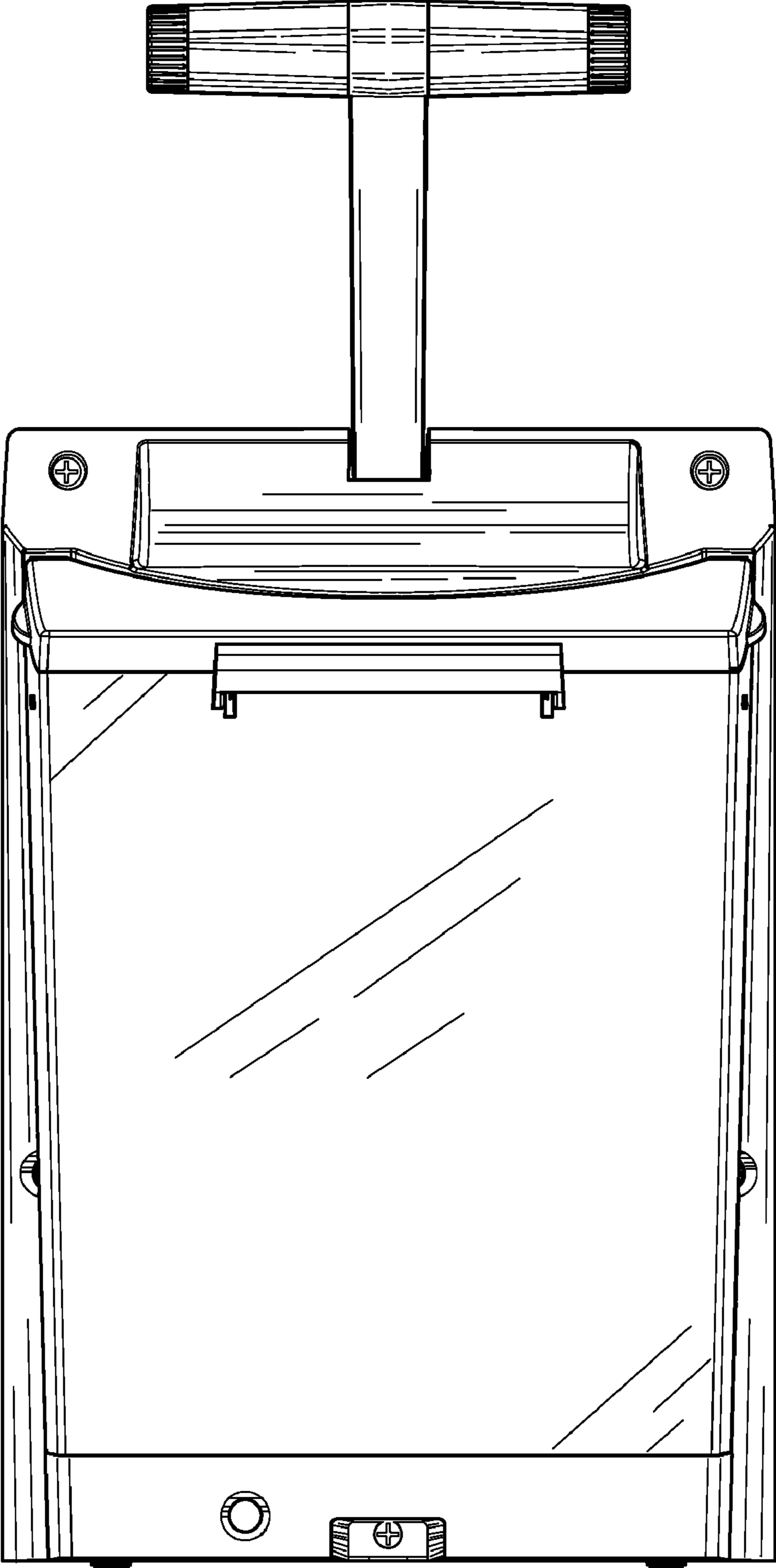


FIG. 2

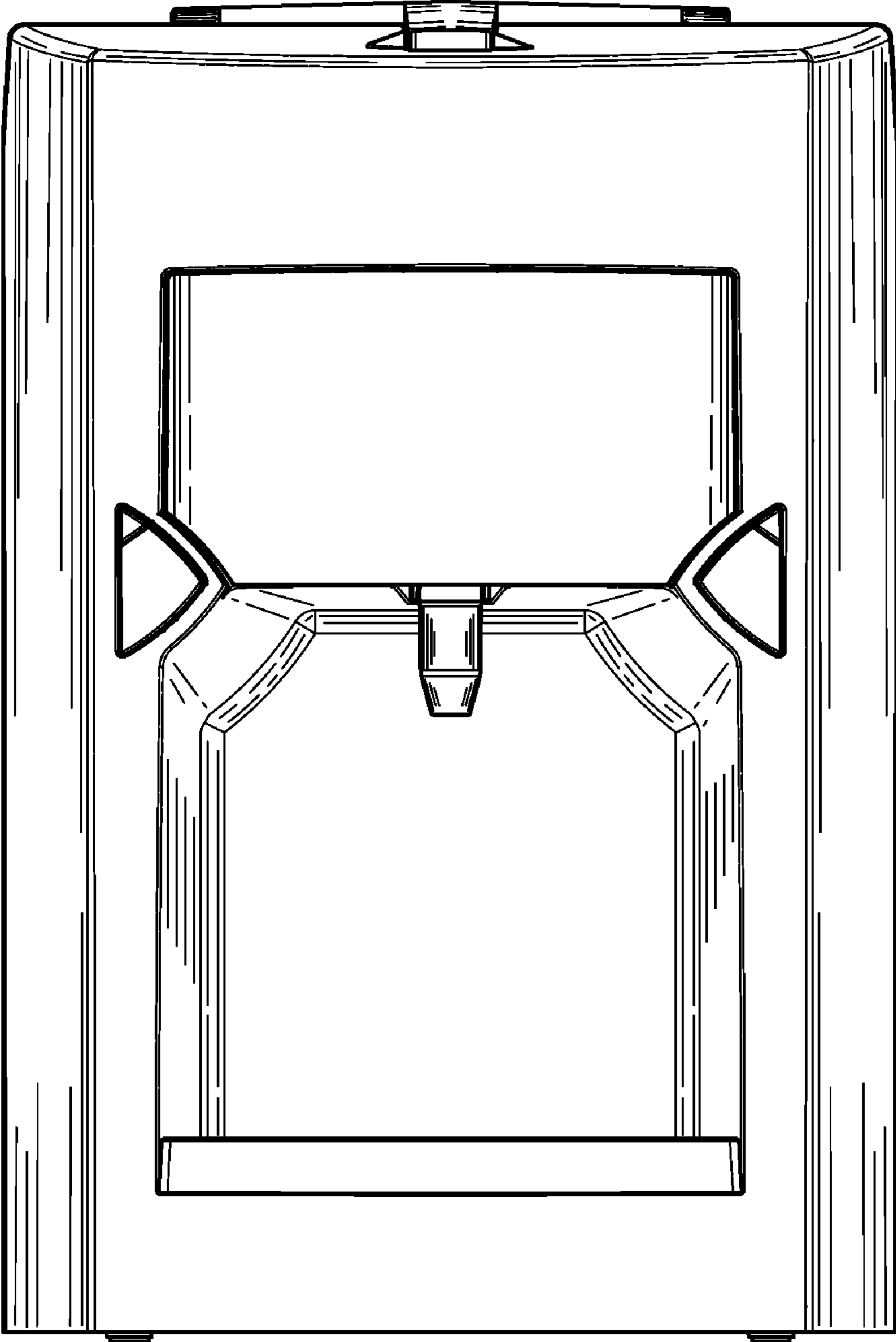


FIG. 3

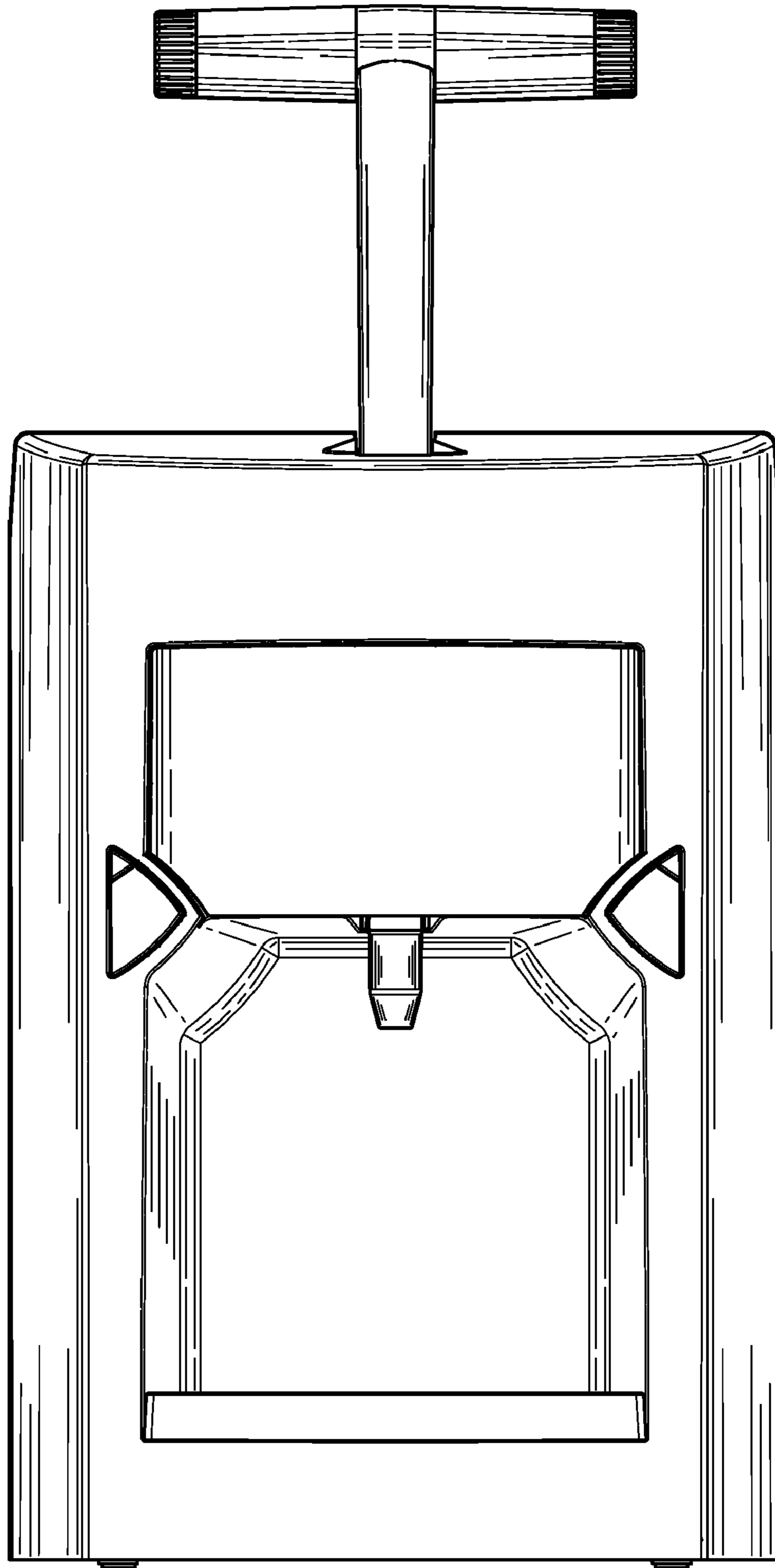


FIG. 4

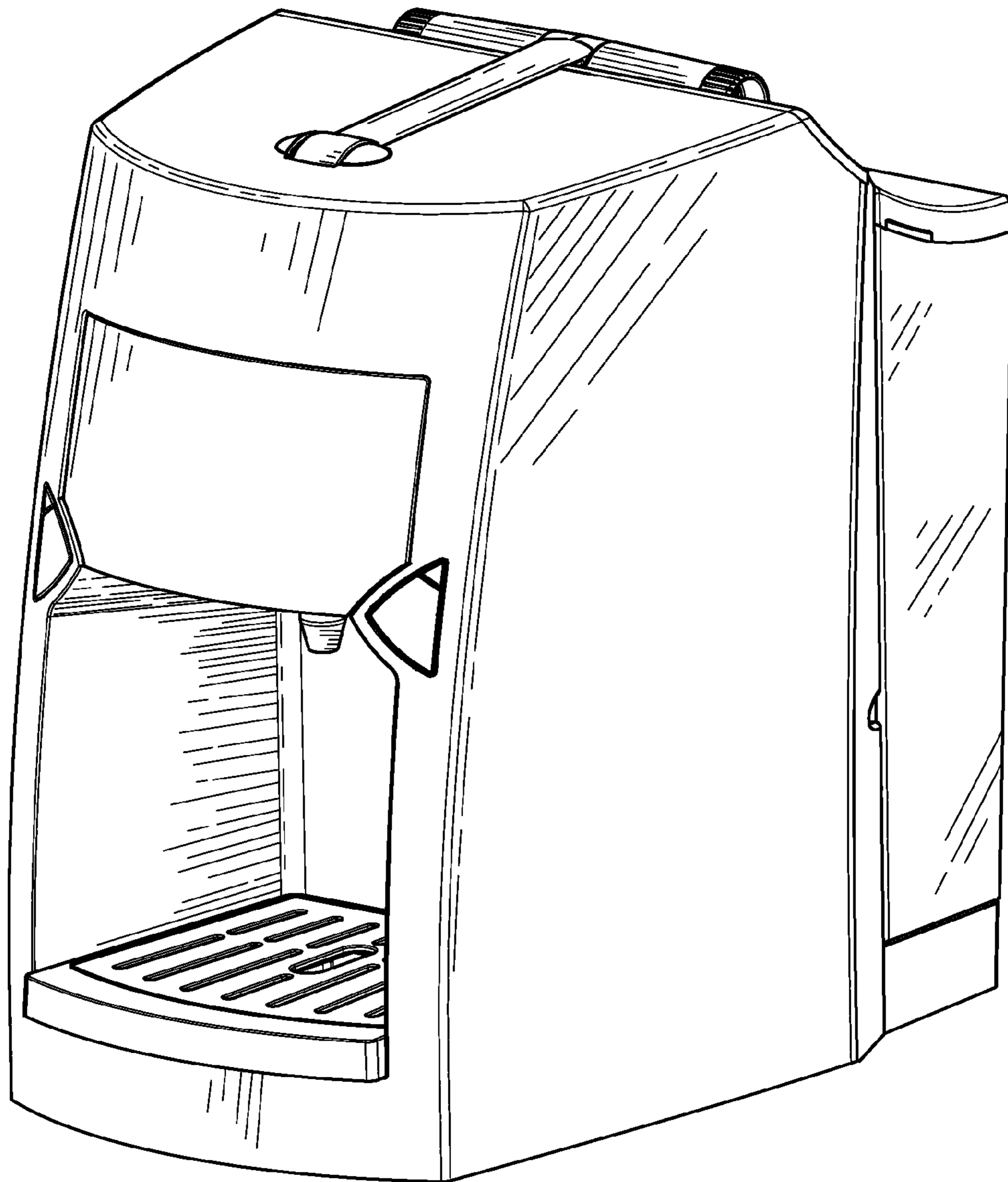


FIG. 5

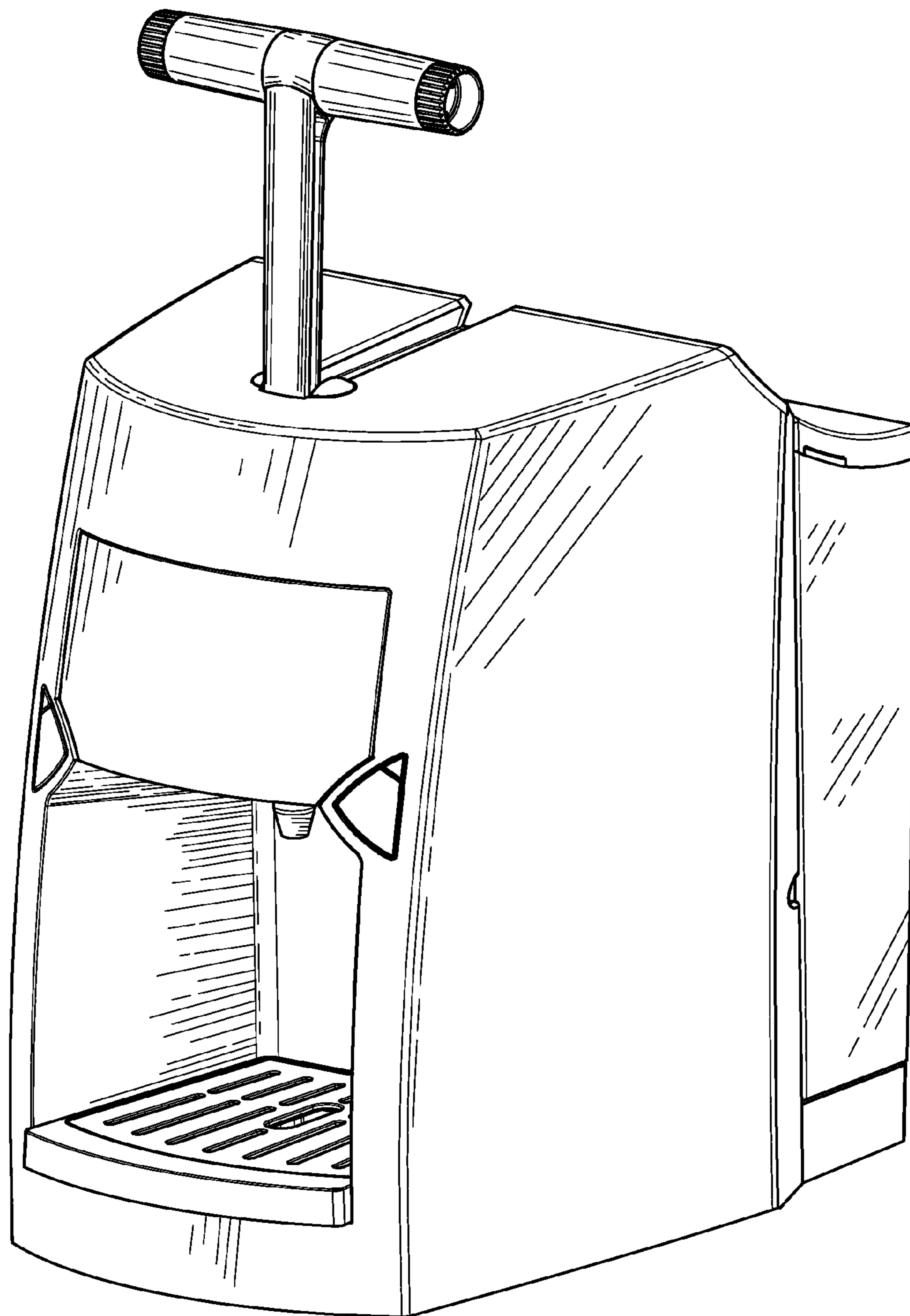


FIG. 6

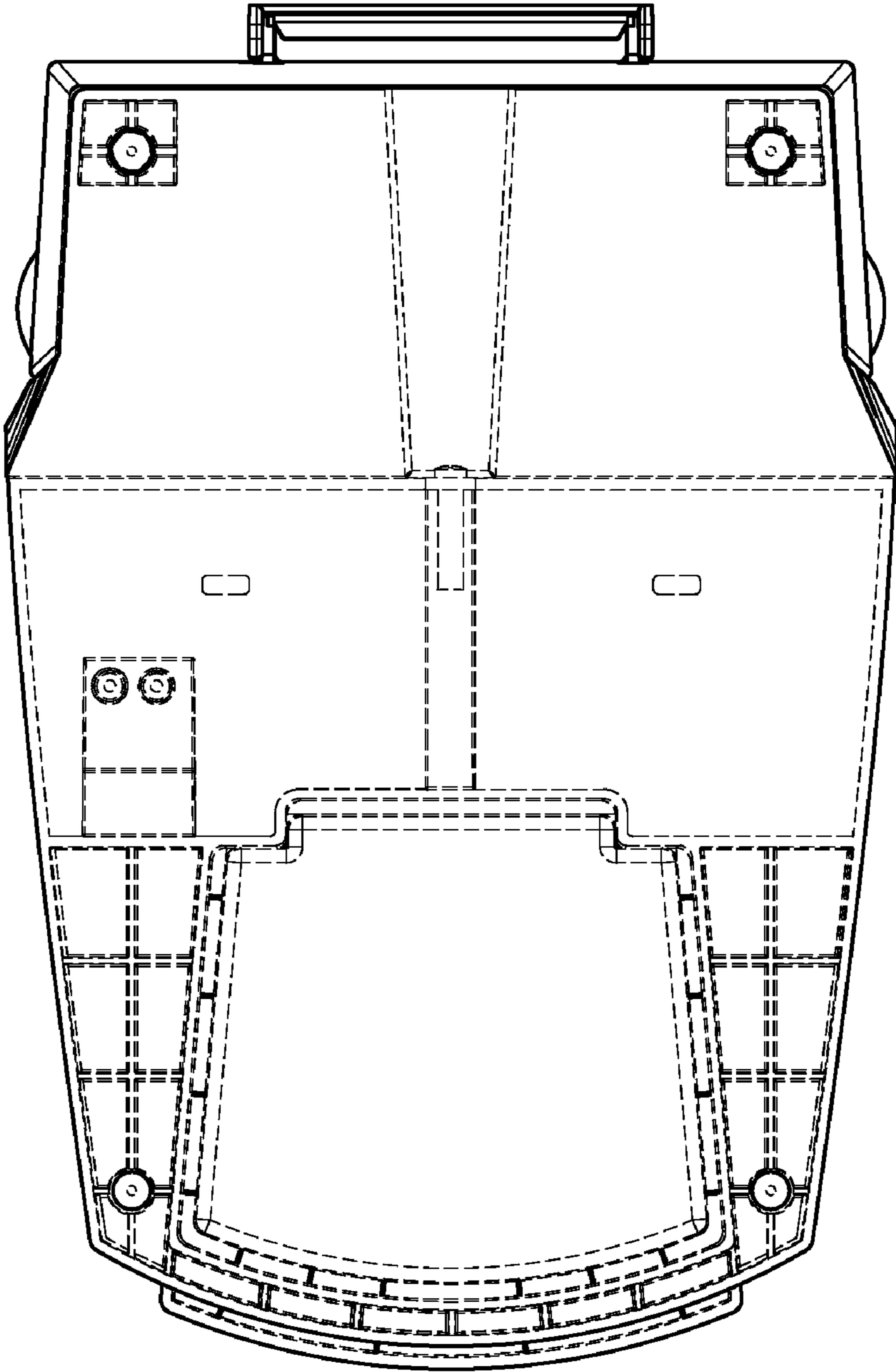


FIG. 7

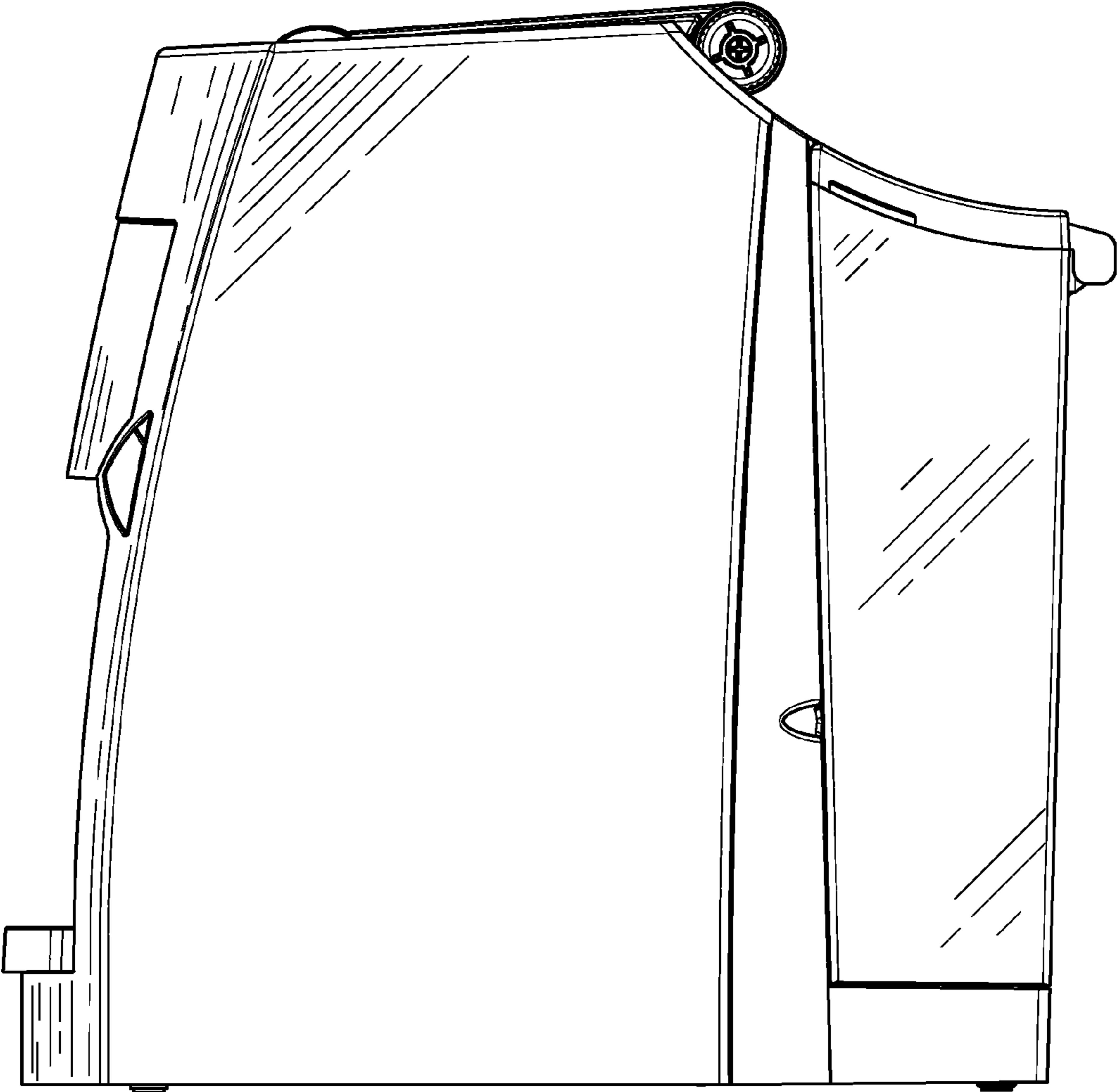


FIG. 8

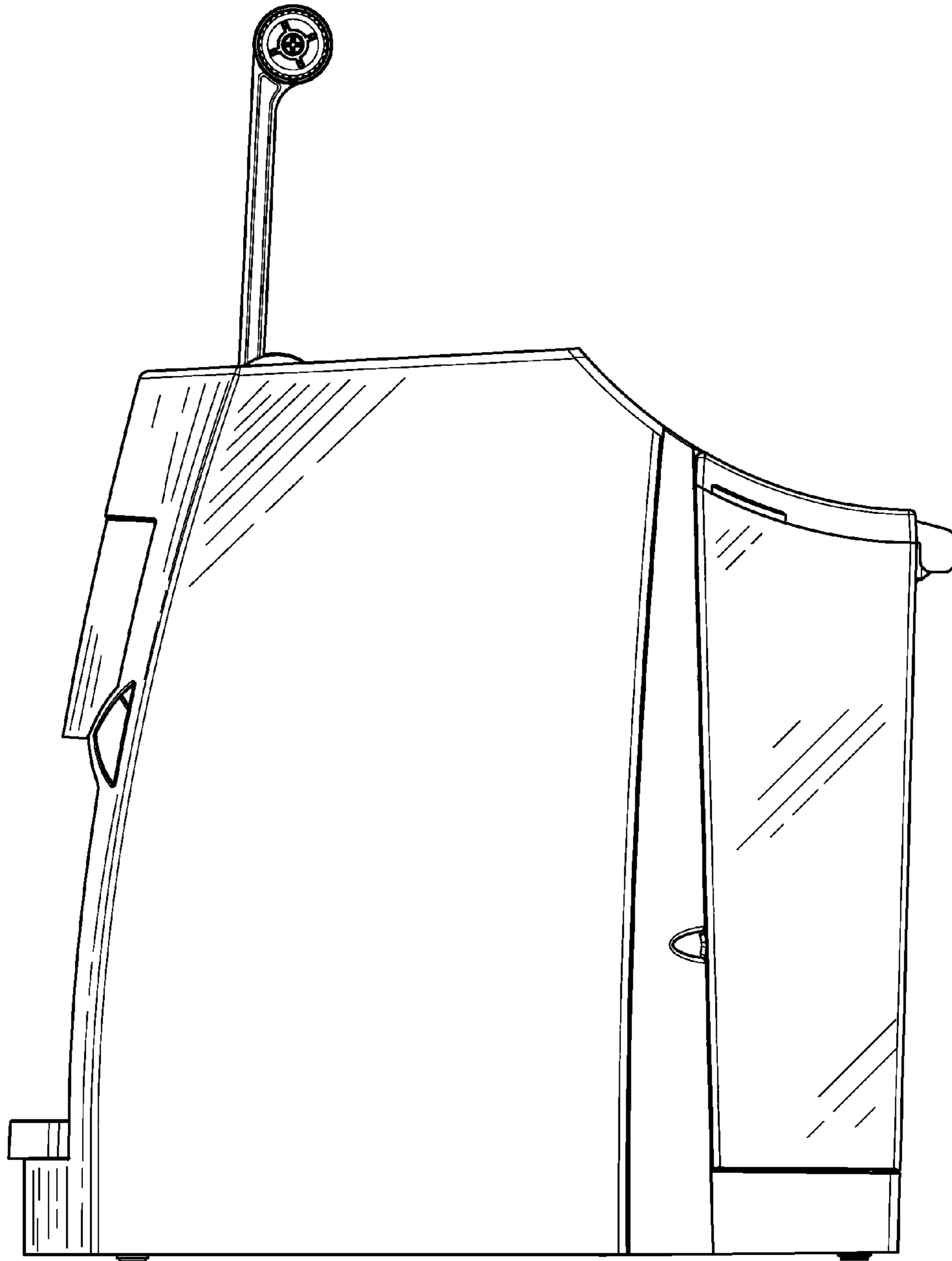


FIG. 9

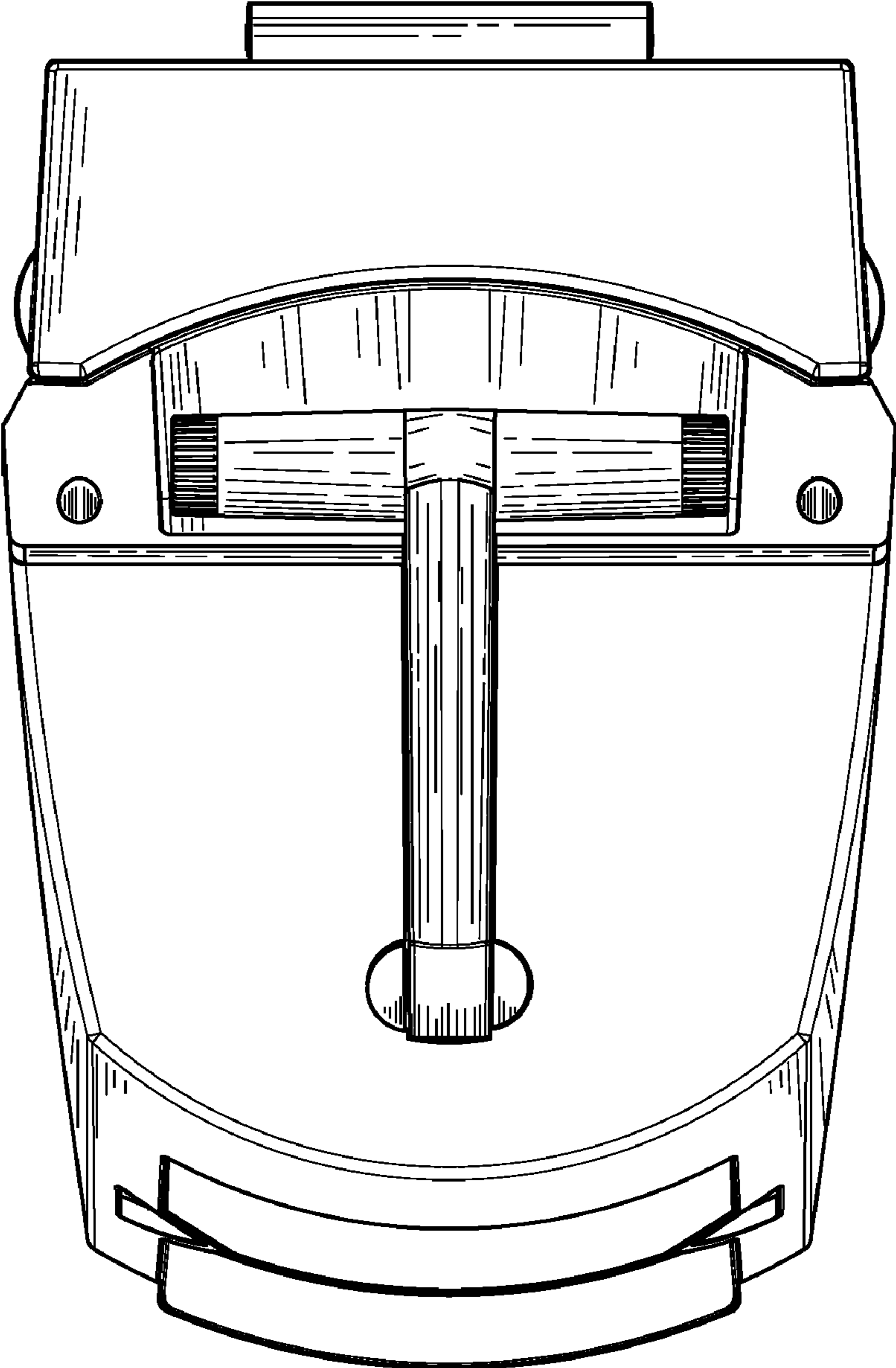


FIG. 10

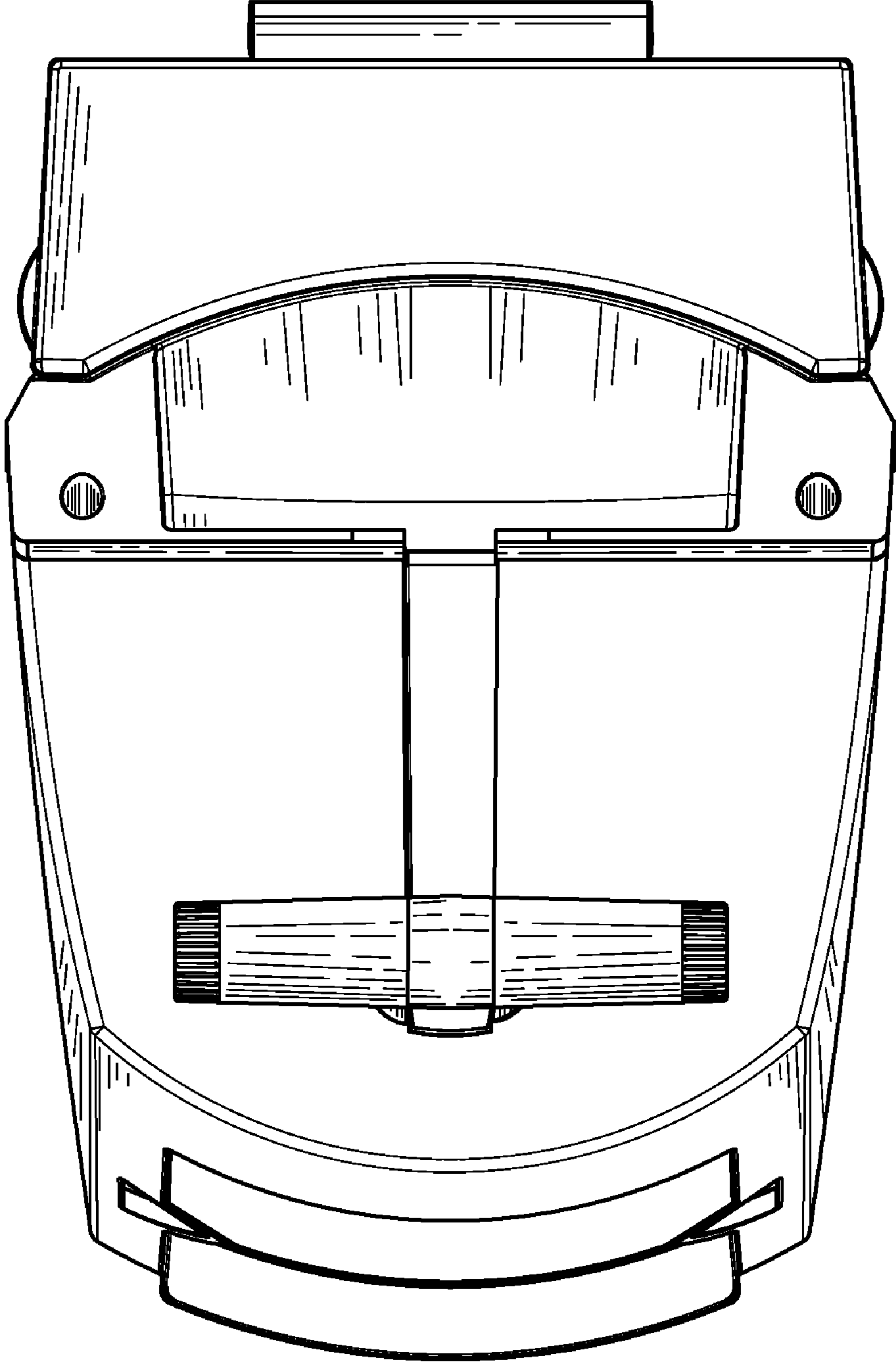


FIG. 11