



US00D610853S

(12) **United States Design Patent**
Straub

(10) **Patent No.:** **US D610,853 S**
(45) **Date of Patent:** **** Mar. 2, 2010**

(54) **INFANT POSITIONING SUPPORT**

(75) Inventor: **Mariann Straub**, Winnetka, IL (US)

(73) Assignee: **Sapphire Design, Inc.**, Winnetka, IL (US)

(**) Term: **14 Years**

(21) Appl. No.: **29/314,544**

(22) Filed: **Apr. 8, 2009**

(51) **LOC (9) Cl.** **06-09**

(52) **U.S. Cl.** **D6/601**

(58) **Field of Classification Search** D6/595-599,
D6/601, 604; 5/630, 633, 636, 637, 735,
5/652-656, 655.3, 655.9, 706, 922, 420;
D21/803, 809

See application file for complete search history.

(56) **References Cited**

U.S. PATENT DOCUMENTS

909,453	A *	1/1909	Pullman	297/188.14
2,876,459	A *	3/1959	Ackerson	4/572.1
3,729,752	A *	5/1973	Huggins	5/93.1
4,193,150	A	3/1980	Vineberg		
D259,458	S *	6/1981	Fuller et al.	D6/596
4,441,221	A	4/1984	Enste et al.		
4,631,766	A *	12/1986	Semmler et al.	5/655
4,802,249	A	2/1989	Bills		
D333,752	S *	3/1993	Mason	D6/596
5,216,772	A	6/1993	Clute		
5,341,531	A	8/1994	Straub et al.		
5,367,730	A	11/1994	Sher		
5,439,008	A	8/1995	Bowman		
5,448,790	A	9/1995	Saro et al.		
D369,054	S	4/1996	Straub et al.		
D369,934	S	5/1996	Straub et al.		
5,551,108	A *	9/1996	Butler, III	5/655

D385,143	S	10/1997	Straub et al.		
D408,676	S	4/1999	Straub et al.		
D446,675	S	8/2001	Straub		
D448,227	S	9/2001	Straub		
6,438,775	B1	8/2002	Koenig		
6,473,923	B1	11/2002	Straub		
6,877,176	B2	4/2005	Houghteling		
D561,405	S *	2/2008	Kalatsky	D30/118
7,418,752	B2 *	9/2008	Kemm	5/655
2006/0070185	A1	4/2006	Rubio		
2006/0168733	A1	8/2006	Straub		
2006/0288490	A1	12/2006	Mikkelsen et al.		
2007/0163051	A1	7/2007	Straub		

* cited by examiner

Primary Examiner—Janice E Seeger

Assistant Examiner—Zenia I Bennett

(74) *Attorney, Agent, or Firm*—Knechtel, Demeur & Samlan

(57) **CLAIM**

I claim the ornamental design for an infant positioning support, as shown and described.

DESCRIPTION

FIG. 1 is a perspective view for an infant positioning support showing the new design thereof;

FIG. 2 is a top side elevational view thereof;

FIG. 3 is a front side elevational view thereof;

FIG. 4 is a rear side elevational view thereof;

FIG. 5 is a left side elevational view thereof;

The right side elevational view is a mirror image of the left side elevational view.

FIG. 6 is a bottom side elevational view thereof; and,

FIG. 7 is a cross-sectional view, taken along line 7—7 of FIG. 1, of the infant positioning support thereof.

1 Claim, 1 Drawing Sheet

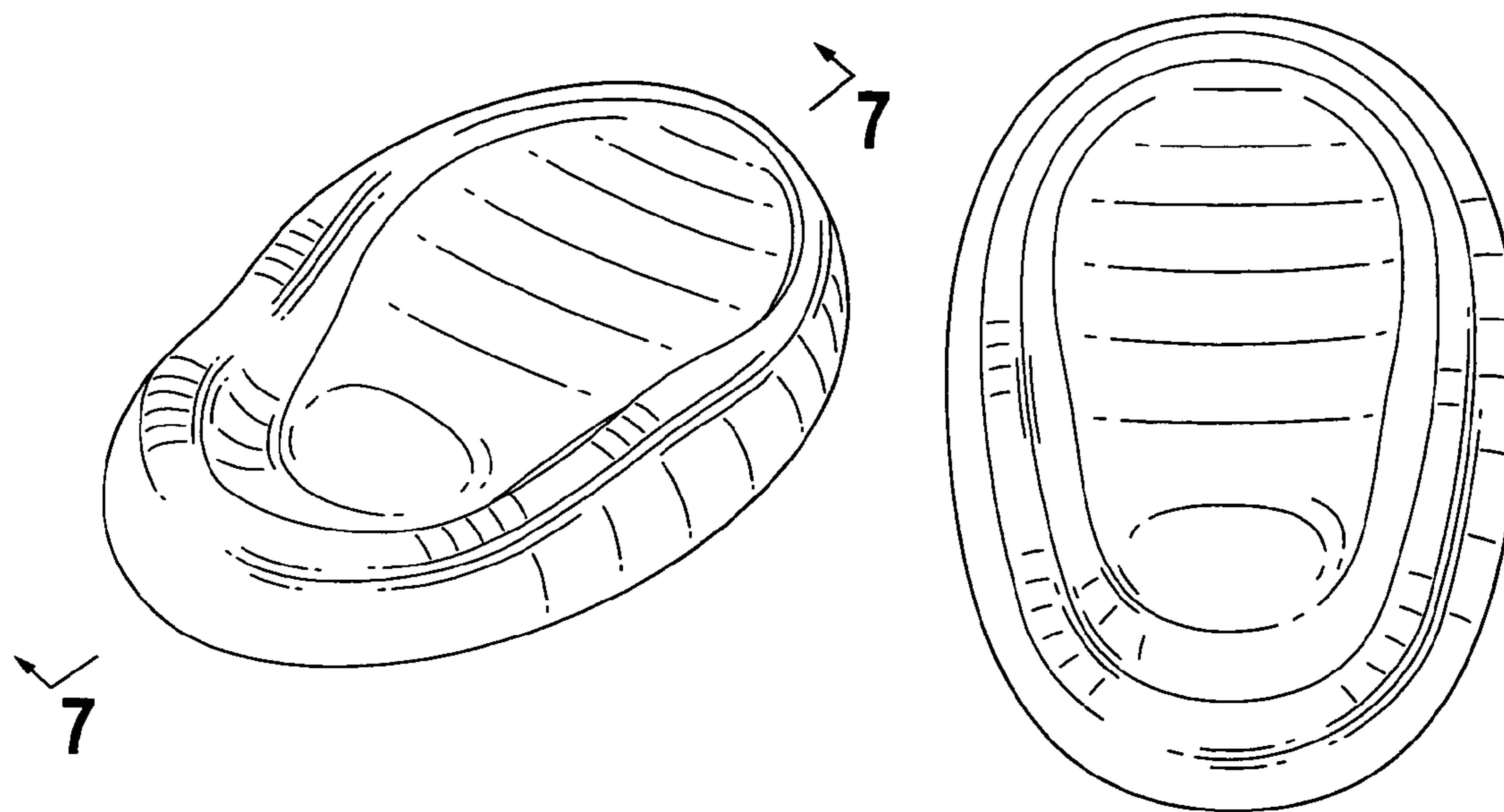


Fig. 1

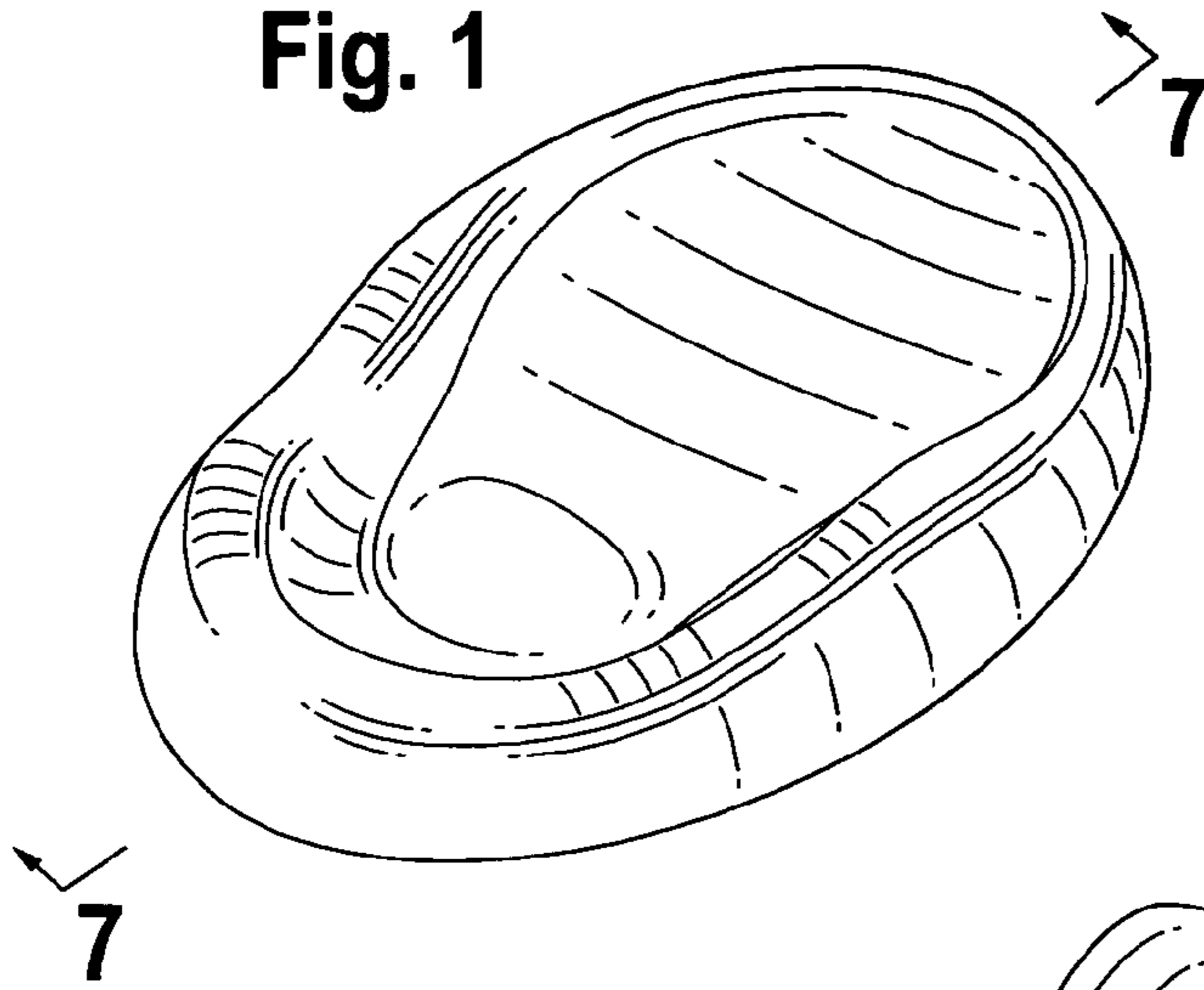


Fig. 4

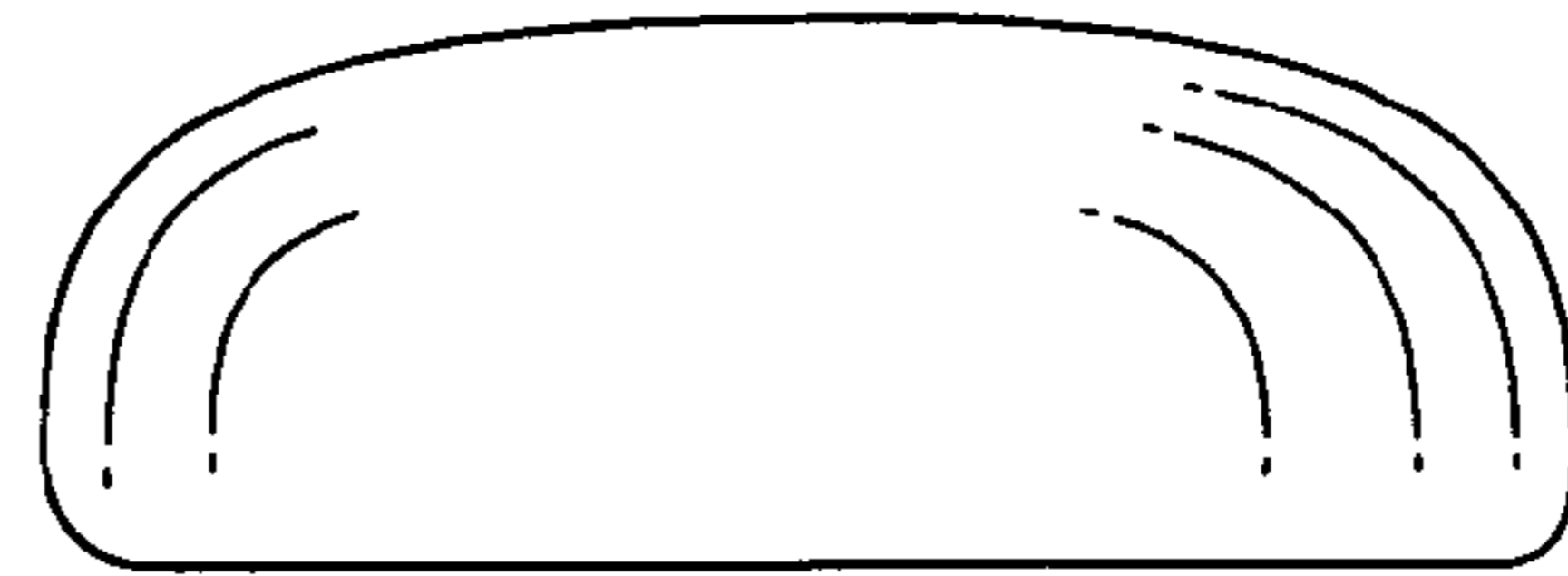


Fig. 5

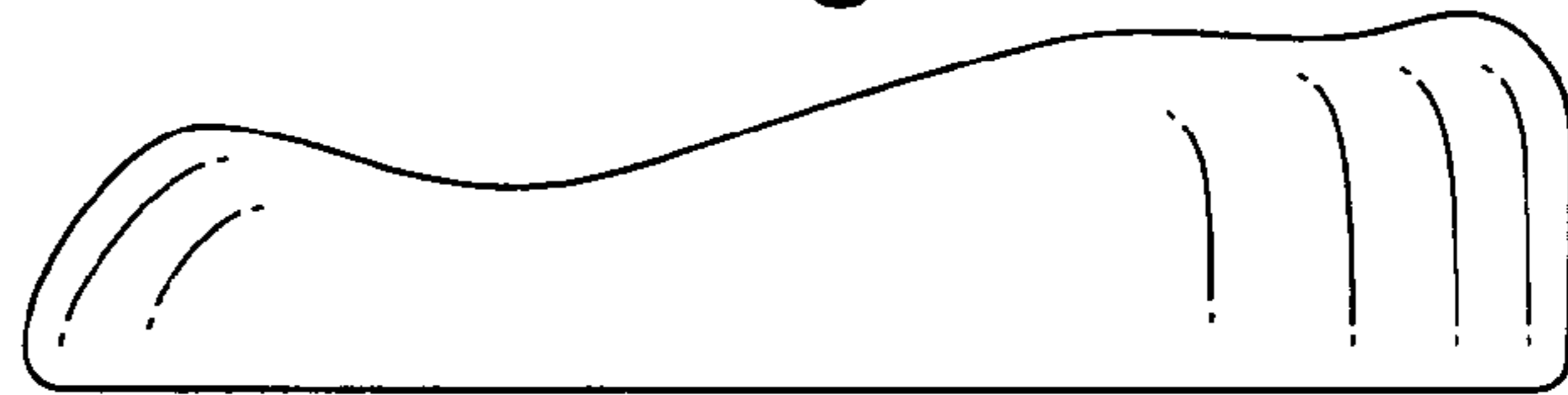


Fig. 2

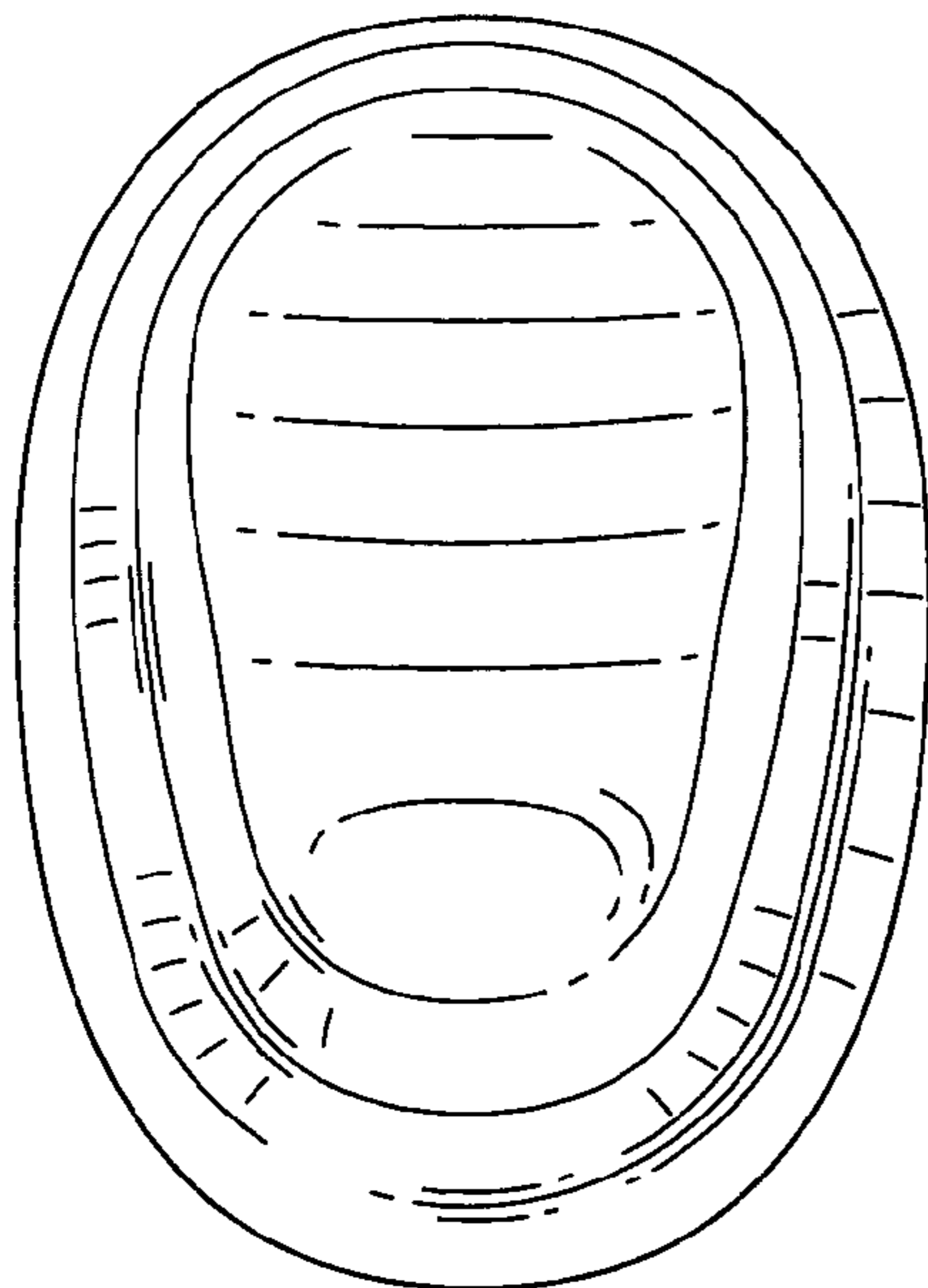


Fig. 6

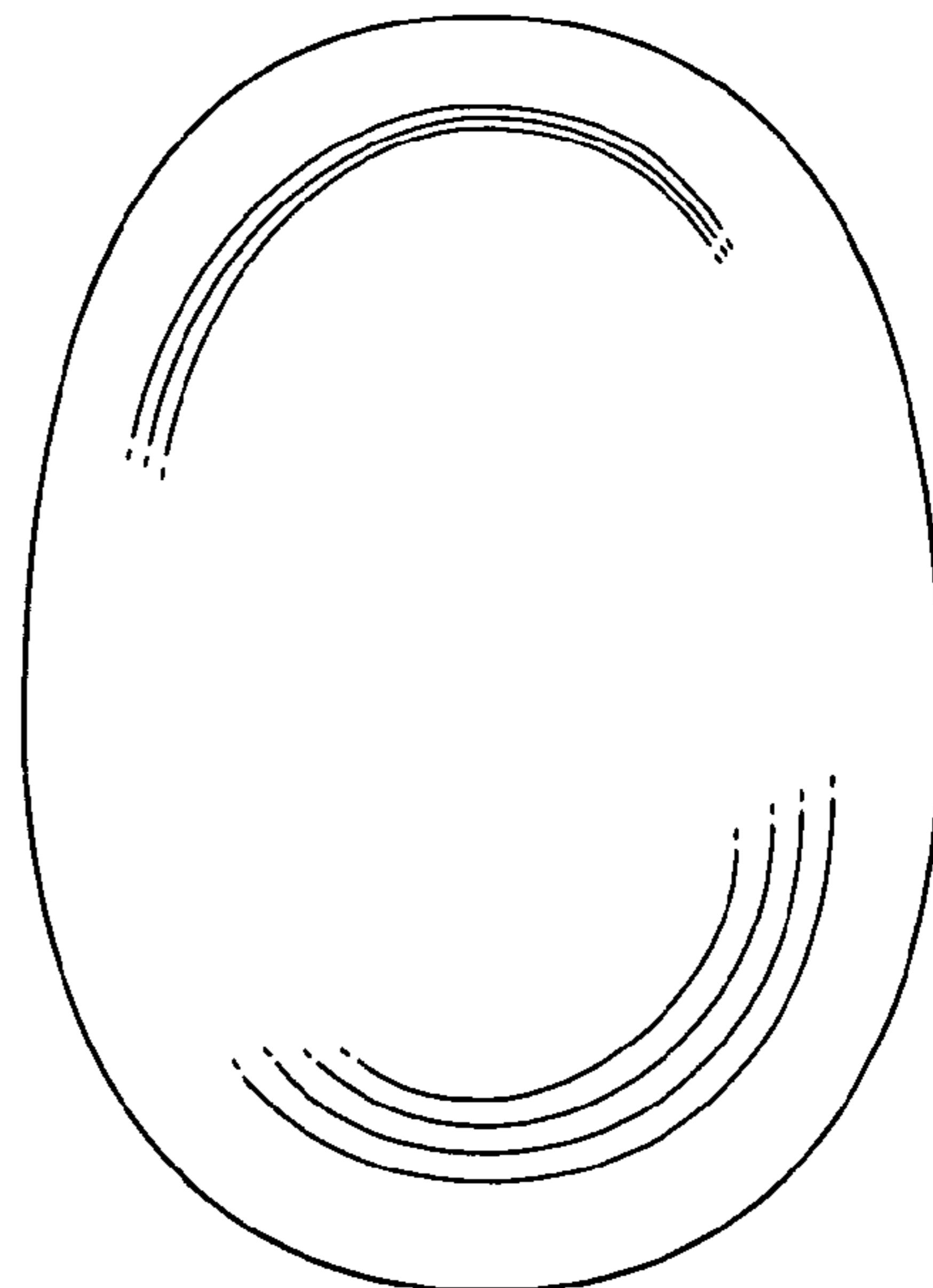


Fig. 3



Fig. 7

