



US00D610852S

(12) **United States Design Patent**  
**Rothschild et al.**

(10) **Patent No.:** **US D610,852 S**  
(45) **Date of Patent:** **\*\* Mar. 2, 2010**

(54) **WEDGE CUSHION WITH HANDLES**

(75) Inventors: **Peter A. Rothschild**, Aptos, CA (US);  
**Frank Albert Cloud**, Louisville, KY (US)

(73) Assignee: **Patient Comfort Systems, Inc.**,  
Hayward, CA (US)

(\*\*) Term: **14 Years**

(21) Appl. No.: **29/313,435**

(22) Filed: **Jan. 5, 2009**

(51) **LOC (9) Cl.** ..... **06-09**

(52) **U.S. Cl.** ..... **D6/601**

(58) **Field of Classification Search** ..... D6/595-599,  
D6/601, 604; 5/630, 633, 636, 637, 735,  
5/652-656, 706, 910, 922, 420; D21/803,  
D21/809

See application file for complete search history.

(56) **References Cited**

**U.S. PATENT DOCUMENTS**

2,376,117	A *	5/1945	Bright et al.	.....	292/343
3,389,411	A *	6/1968	Emery	.....	5/490
3,648,308	A *	3/1972	Greenawalt	.....	5/632
4,048,681	A *	9/1977	Baulch et al.	.....	5/81.1 R
4,193,150	A *	3/1980	Vineberg	.....	5/632
5,105,489	A *	4/1992	Meyer	.....	5/652
D336,134	S *	6/1993	Kalatsky	.....	D24/190

6,047,419	A *	4/2000	Ferguson	.....	5/630
D446,676	S *	8/2001	Mayes	.....	D6/601
6,292,964	B1 *	9/2001	Rose et al.	.....	5/630
6,390,260	B1 *	5/2002	Roegner	.....	190/109
6,564,801	B1 *	5/2003	Frank	.....	128/845
D509,269	S *	9/2005	Decker	.....	D21/686

**OTHER PUBLICATIONS**

Patient Comfort Systems, Inc., "knee wedge" product depicted in three pages of photographs, first sold in or around March of 2006.

\* cited by examiner

*Primary Examiner*—Janice E Seeger

*Assistant Examiner*—Zenia I Bennett

(74) *Attorney, Agent, or Firm*—Westberg Law Offices

(57) **CLAIM**

The ornamental design for a wedge cushion with handles, as shown and described.

**DESCRIPTION**

FIG. 1 is a perspective view of the new design;

FIG. 2 is a left side view thereof, the right side being a mirror image of the left side;

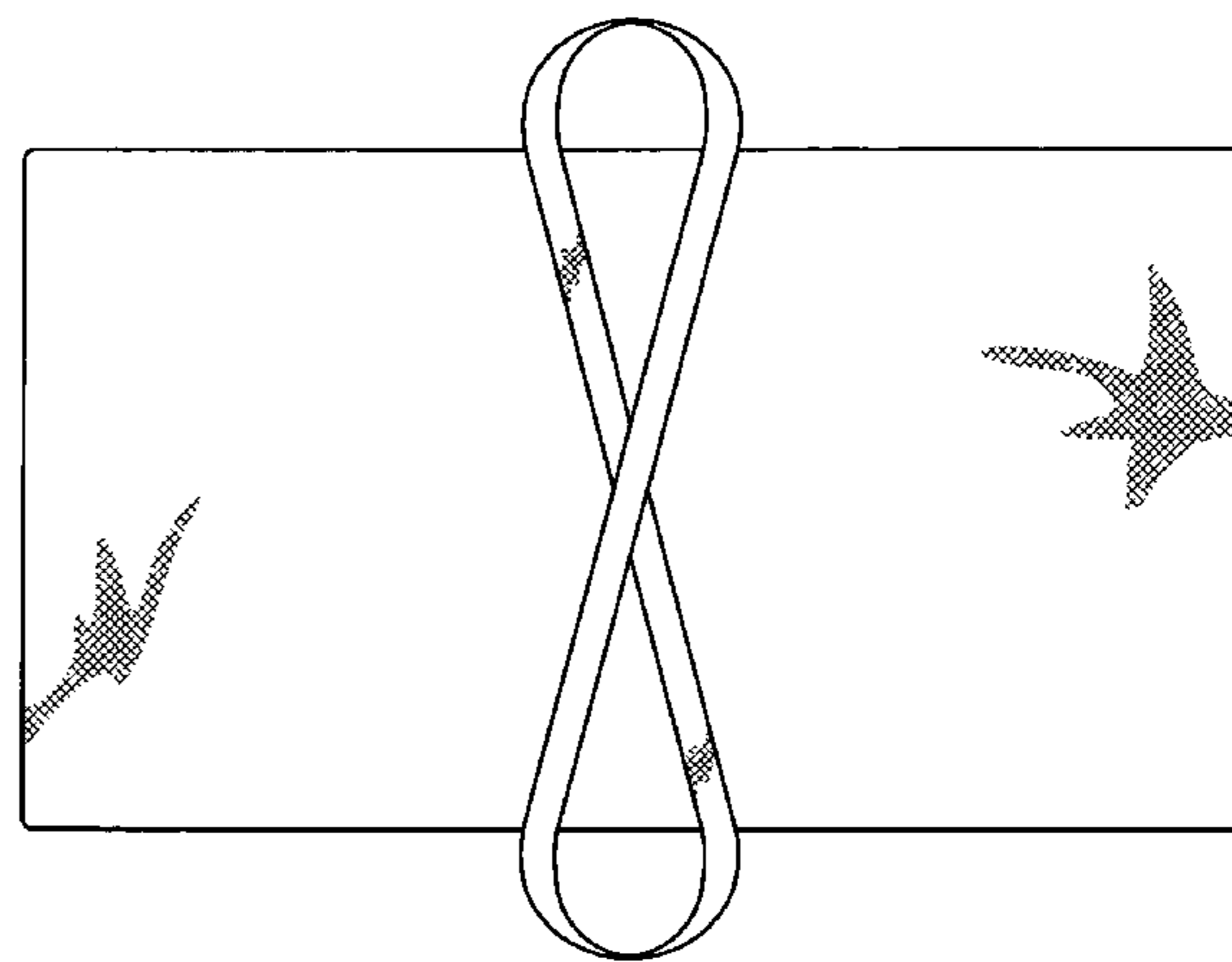
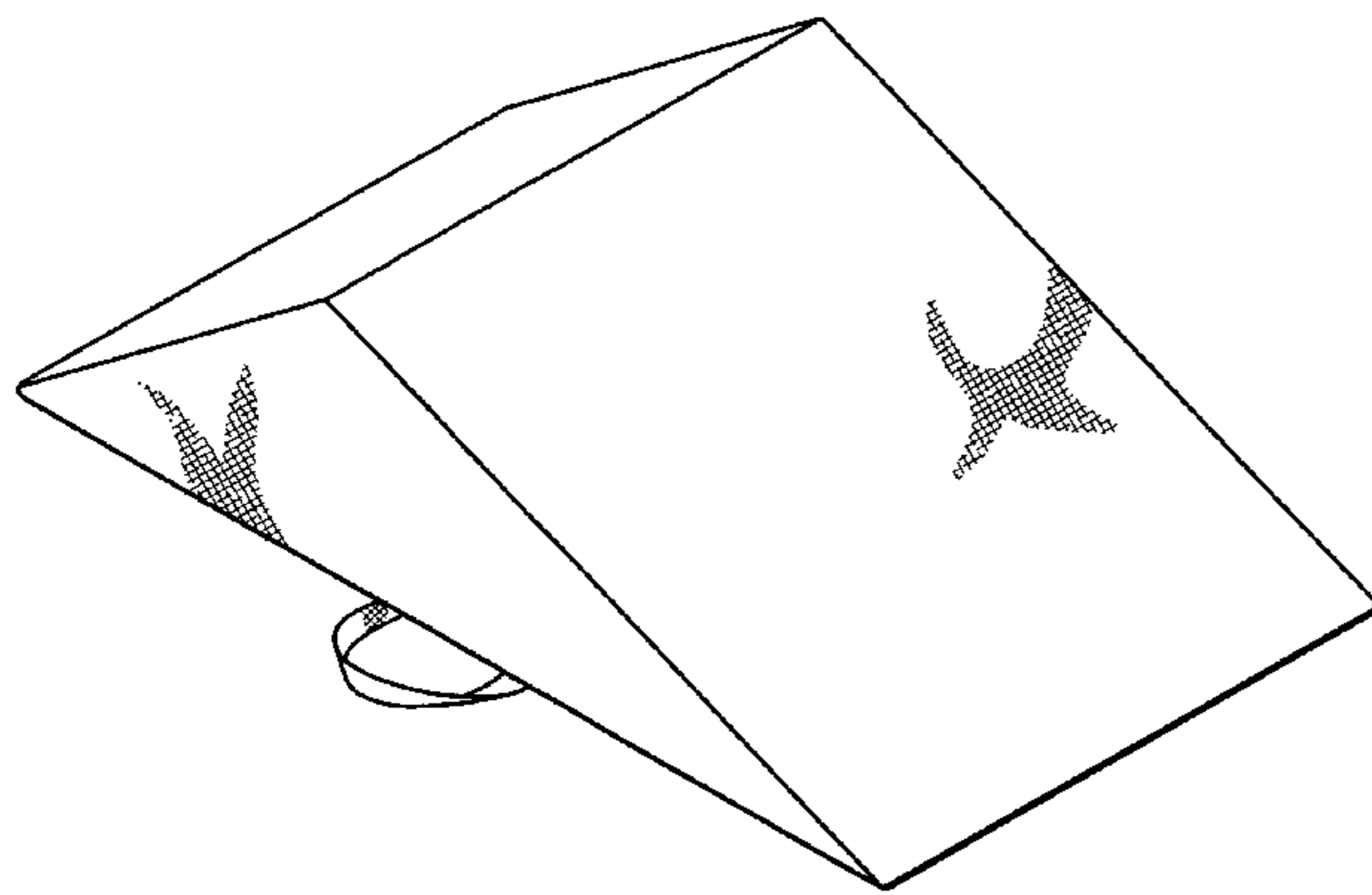
FIG. 3 is a top view thereof;

FIG. 4 is a front view thereof;

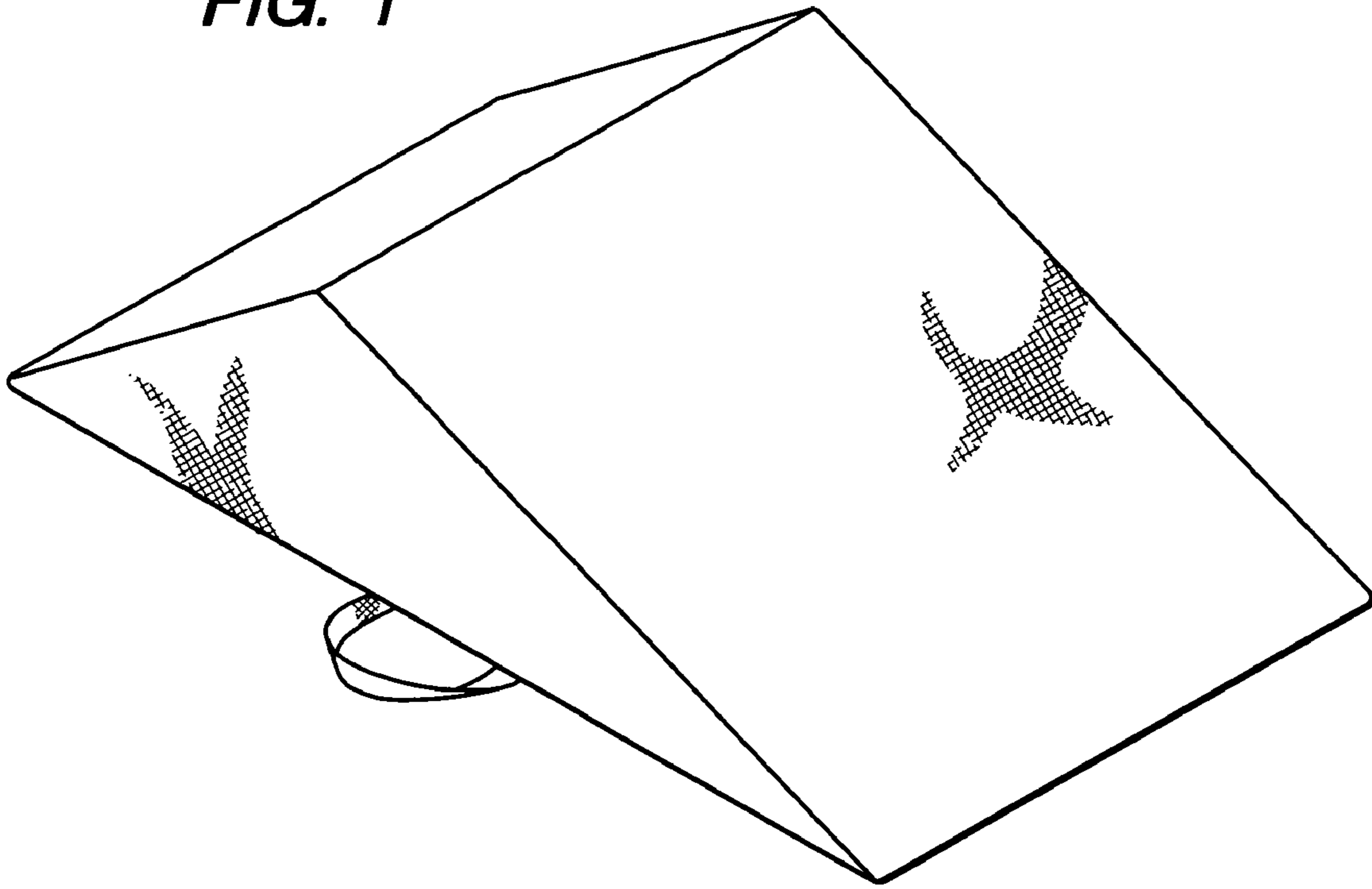
FIG. 5 is a bottom view thereof; and,

FIG. 6 is a rear view thereof.

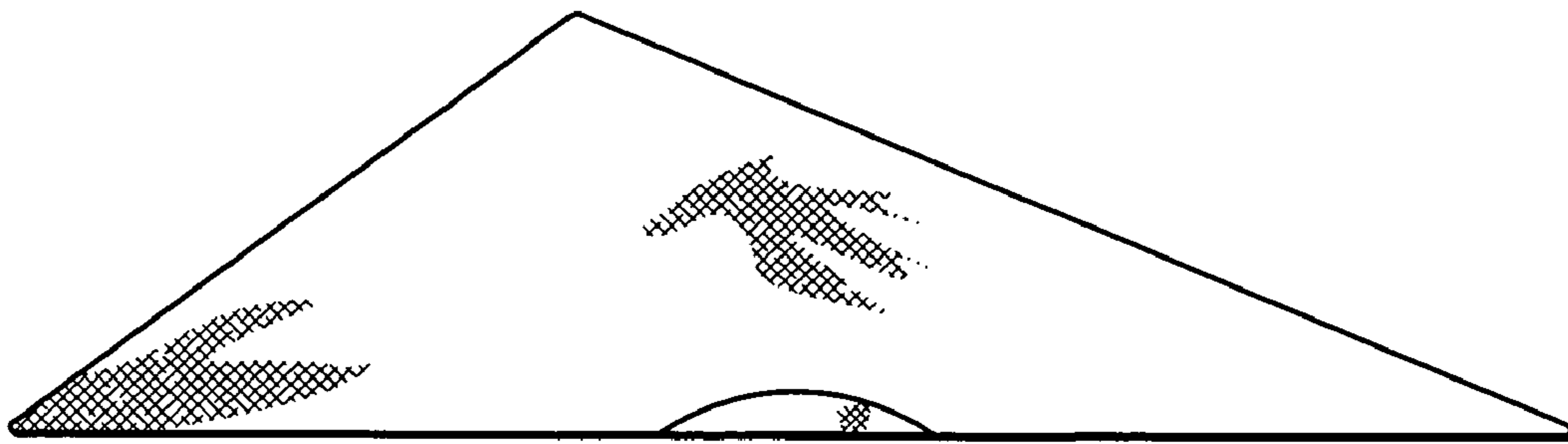
**1 Claim, 3 Drawing Sheets**



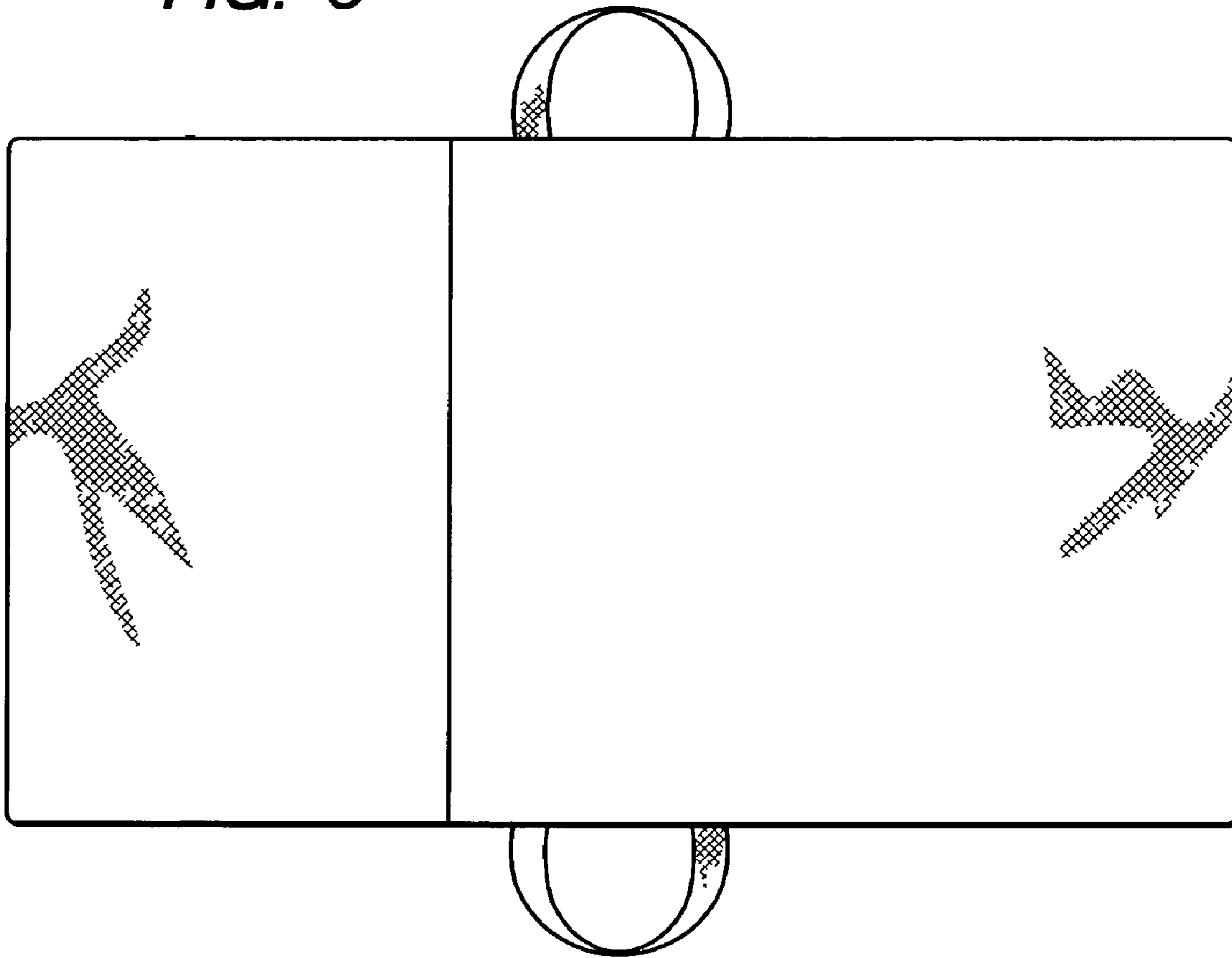
**FIG. 1**



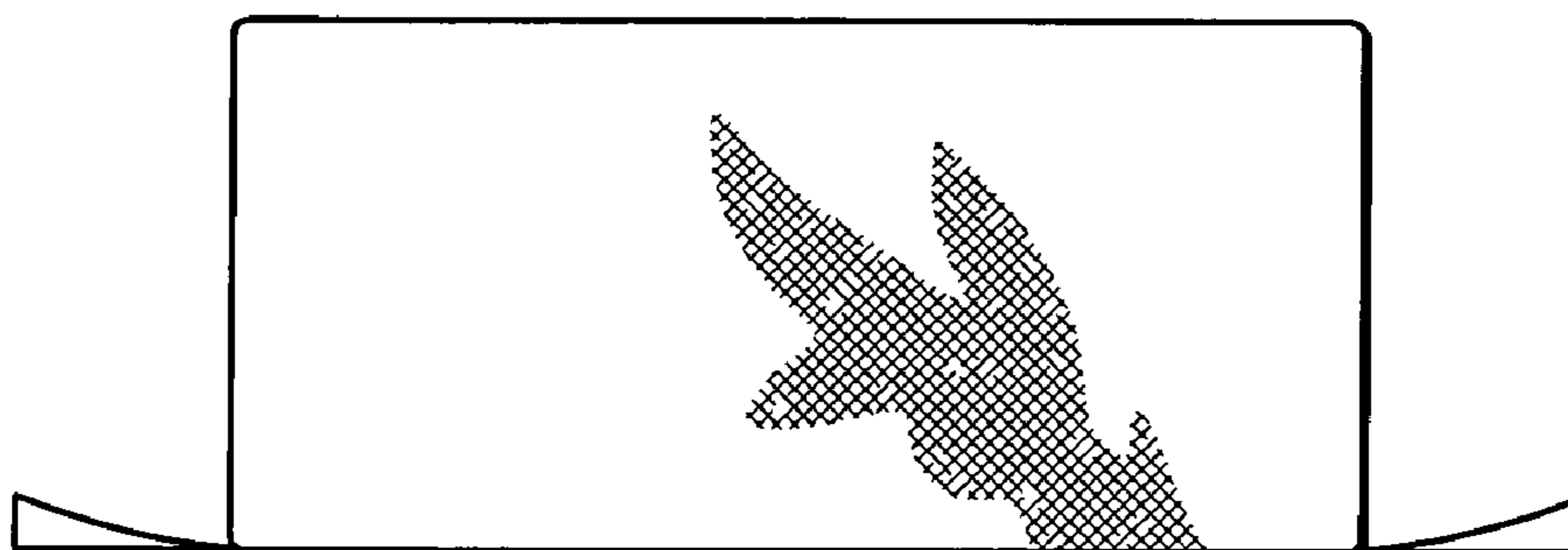
**FIG. 2**



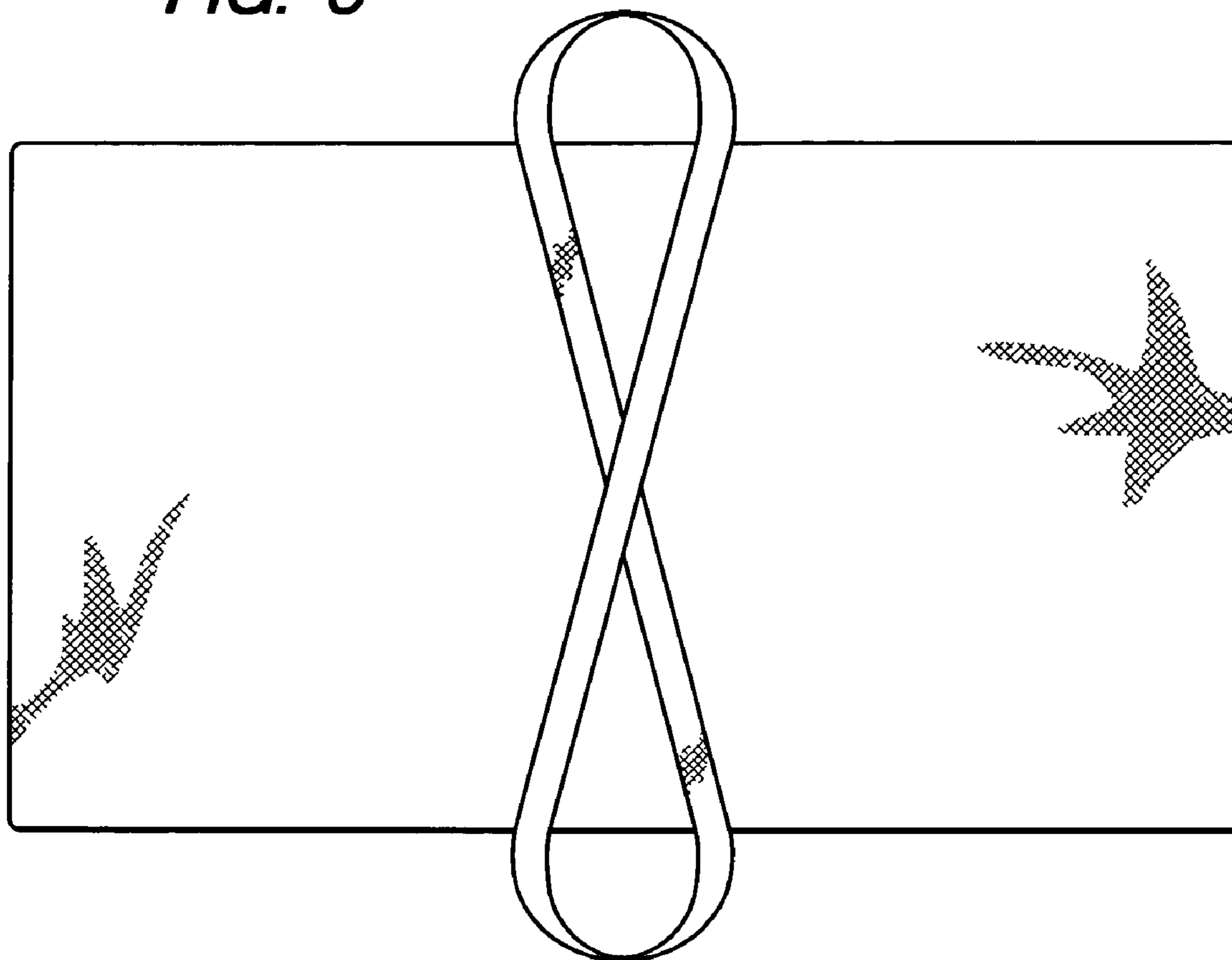
**FIG. 3**



**FIG. 4**



**FIG. 5**



**FIG. 6**

