



US00D610851S

(12) **United States Design Patent**
Trub et al.

(10) **Patent No.:** **US D610,851 S**
(45) **Date of Patent:** **** Mar. 2, 2010**

(54) **BAG HOOK**

(75) Inventors: **Nicolas Trub**, Montrouge (FR); **Nina Myskow**, London (GB); **Grant McCahon**, London (GB)

(73) Assignee: **ES & A Limited**, London (GB)

(**) Term: **14 Years**

(21) Appl. No.: **29/322,449**

(22) Filed: **Aug. 5, 2008**

(30) **Foreign Application Priority Data**

Feb. 6, 2008 (EM) 000873666-0001

(51) **LOC (9) Cl.** **06-04**

(52) **U.S. Cl.** **D6/567; D6/327; D8/373**

(58) **Field of Classification Search** D6/552,
D6/553, 567, 323, 327, 328, 315; D8/367,
D8/371, 373; 211/13.1, 118; 248/215, 304,
248/308, 914, 339; D3/328

See application file for complete search history.

(56) **References Cited**

U.S. PATENT DOCUMENTS

D229,870 S * 1/1974 Czarny D6/327
D300,882 S * 5/1989 Olson D3/328

5,094,417 A * 3/1992 Creed 248/215
D374,141 S * 10/1996 Chao D6/513
D375,673 S * 11/1996 Schowalter D6/513
D384,505 S * 10/1997 Stewart D3/328
D429,899 S * 8/2000 Schwartz D3/328
D437,698 S * 2/2001 Cassler D6/323
D460,652 S * 7/2002 Mahoney D6/552
D580,661 S * 11/2008 Belokin D6/328

FOREIGN PATENT DOCUMENTS

EM 000873666-0001 4/2008

* cited by examiner

Primary Examiner—Brian N Vinson

(74) *Attorney, Agent, or Firm*—Matthew J. Booth & Associates, PLLC; Matthew J Booth

(57) **CLAIM**

The ornamental design for a bag hook, as shown and described.

DESCRIPTION

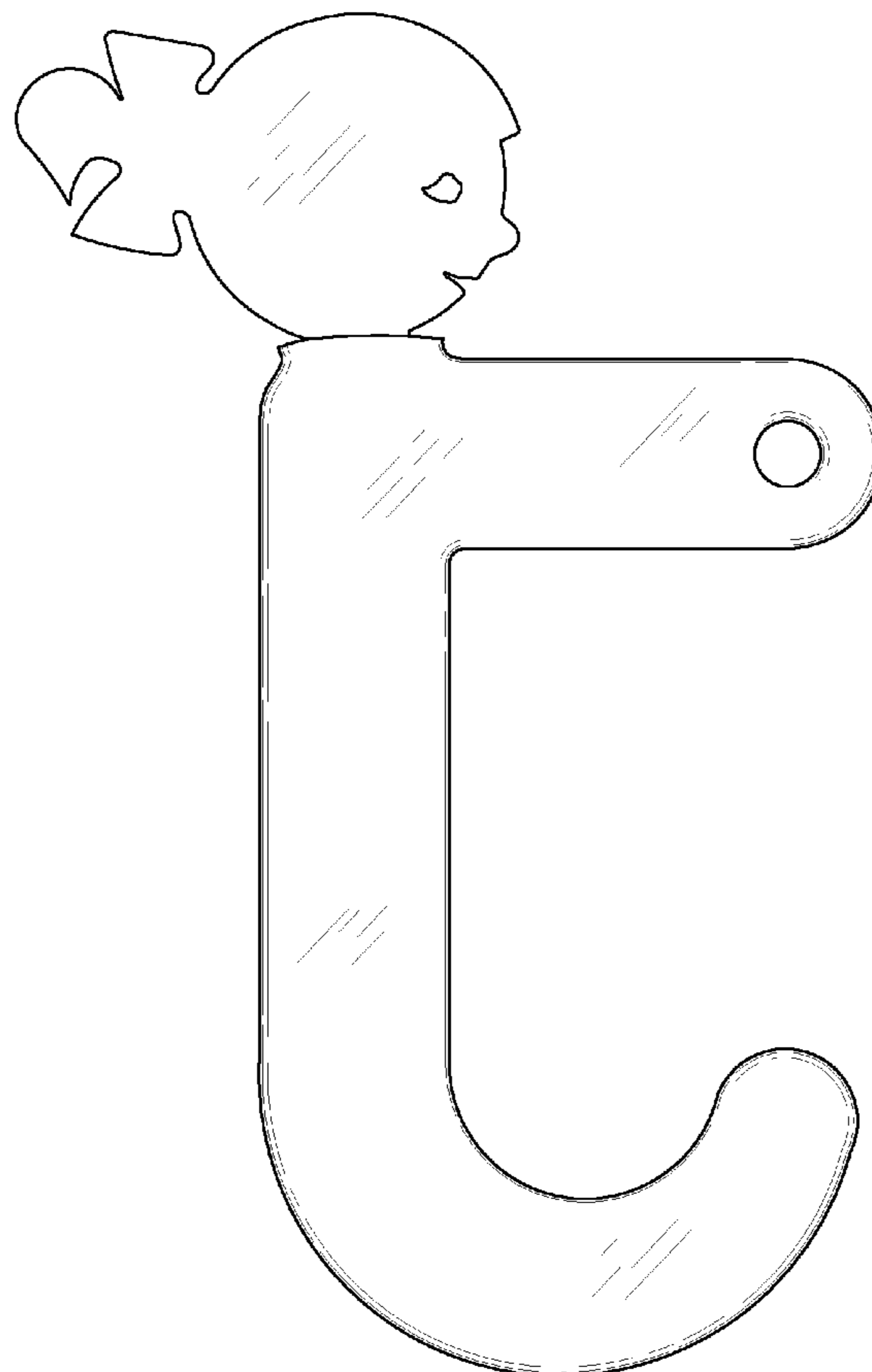
FIG. 1 is a front view of the bag hook.

FIG. 2 is a back view of the bag hook.

FIG. 3 is a perspective view of FIG. 1; and,

FIG. 4 is a top, front view of the bag hook.

1 Claim, 4 Drawing Sheets



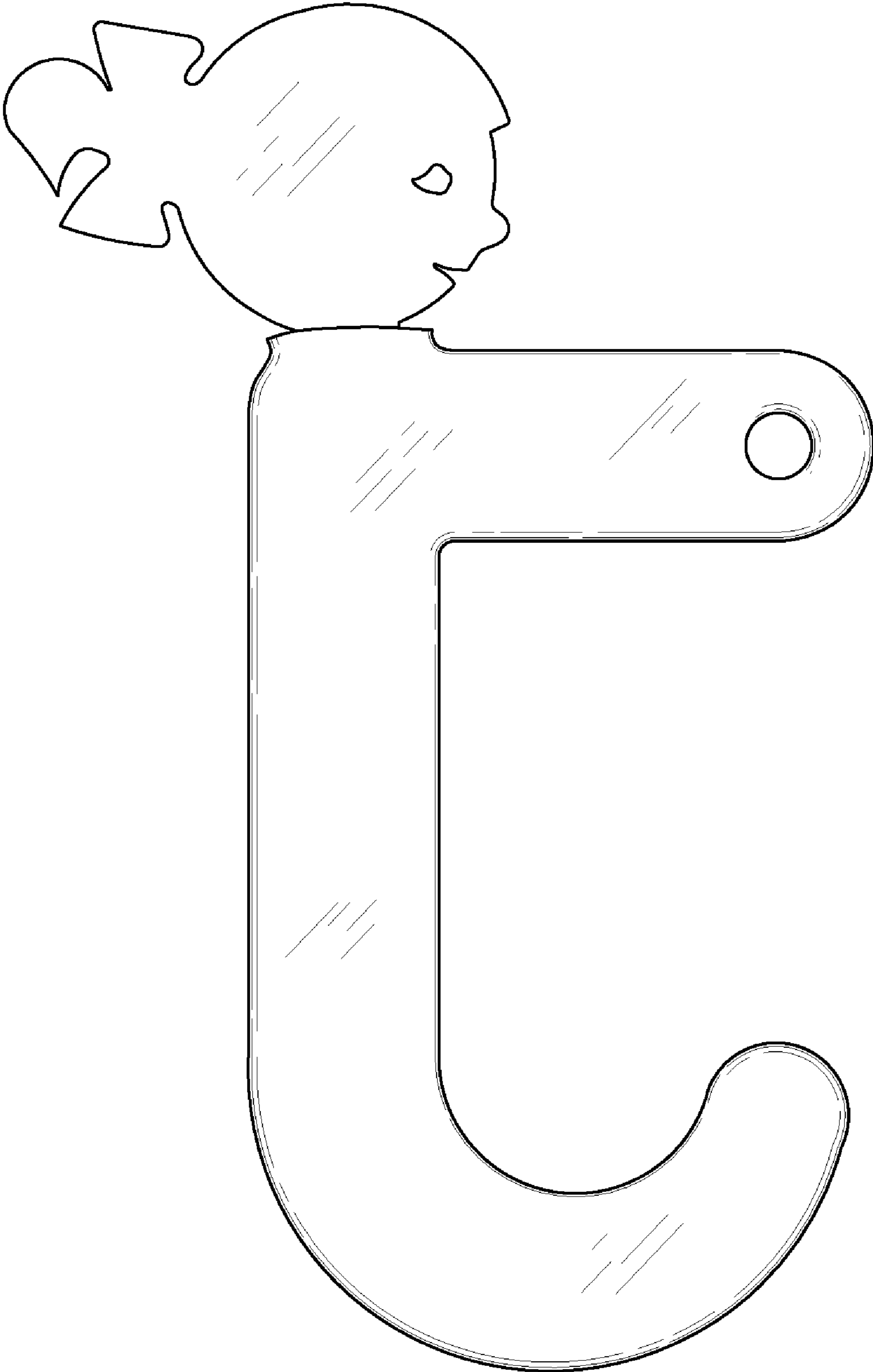


FIG. 1

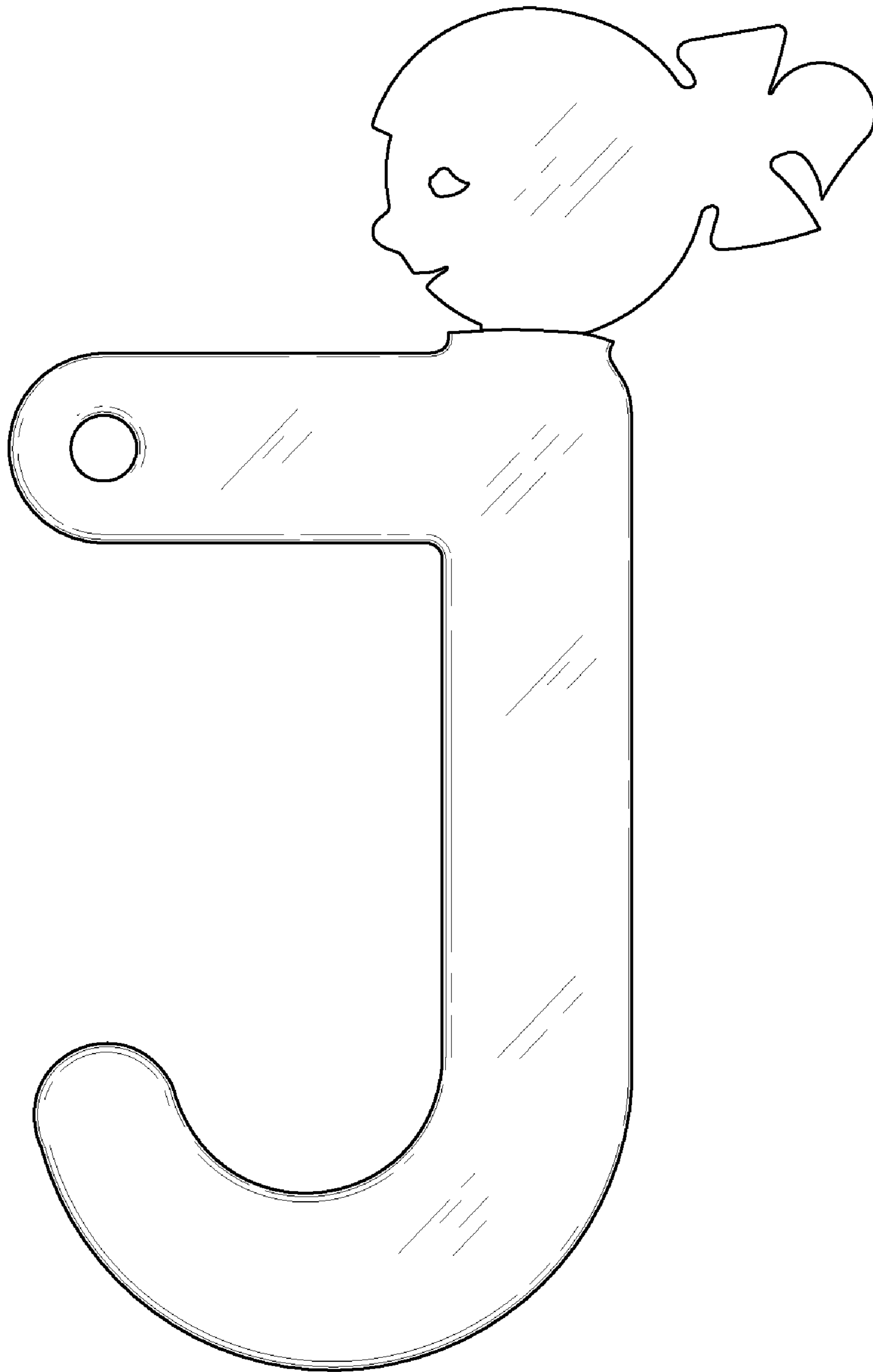


FIG. 2

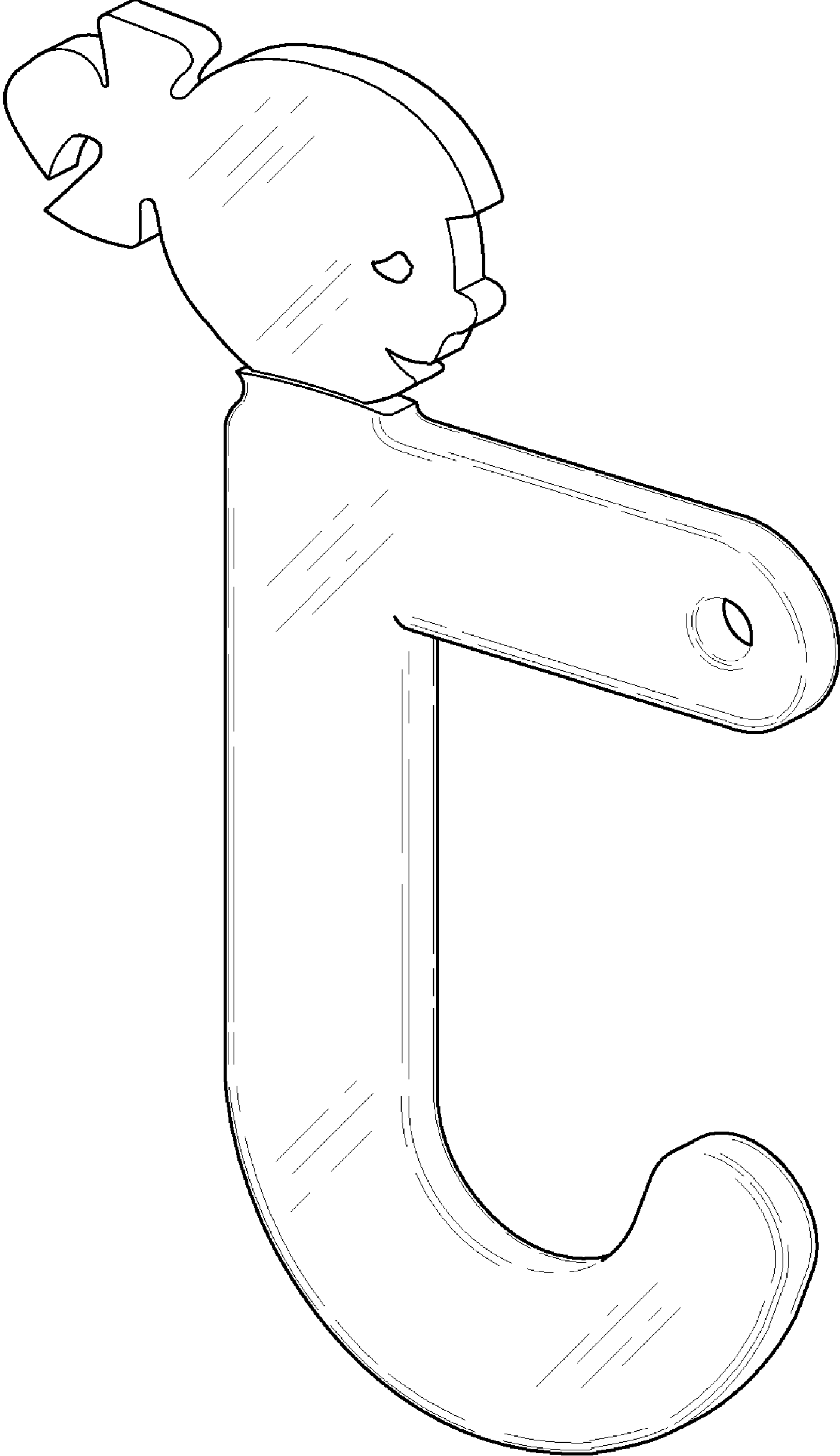


FIG. 3

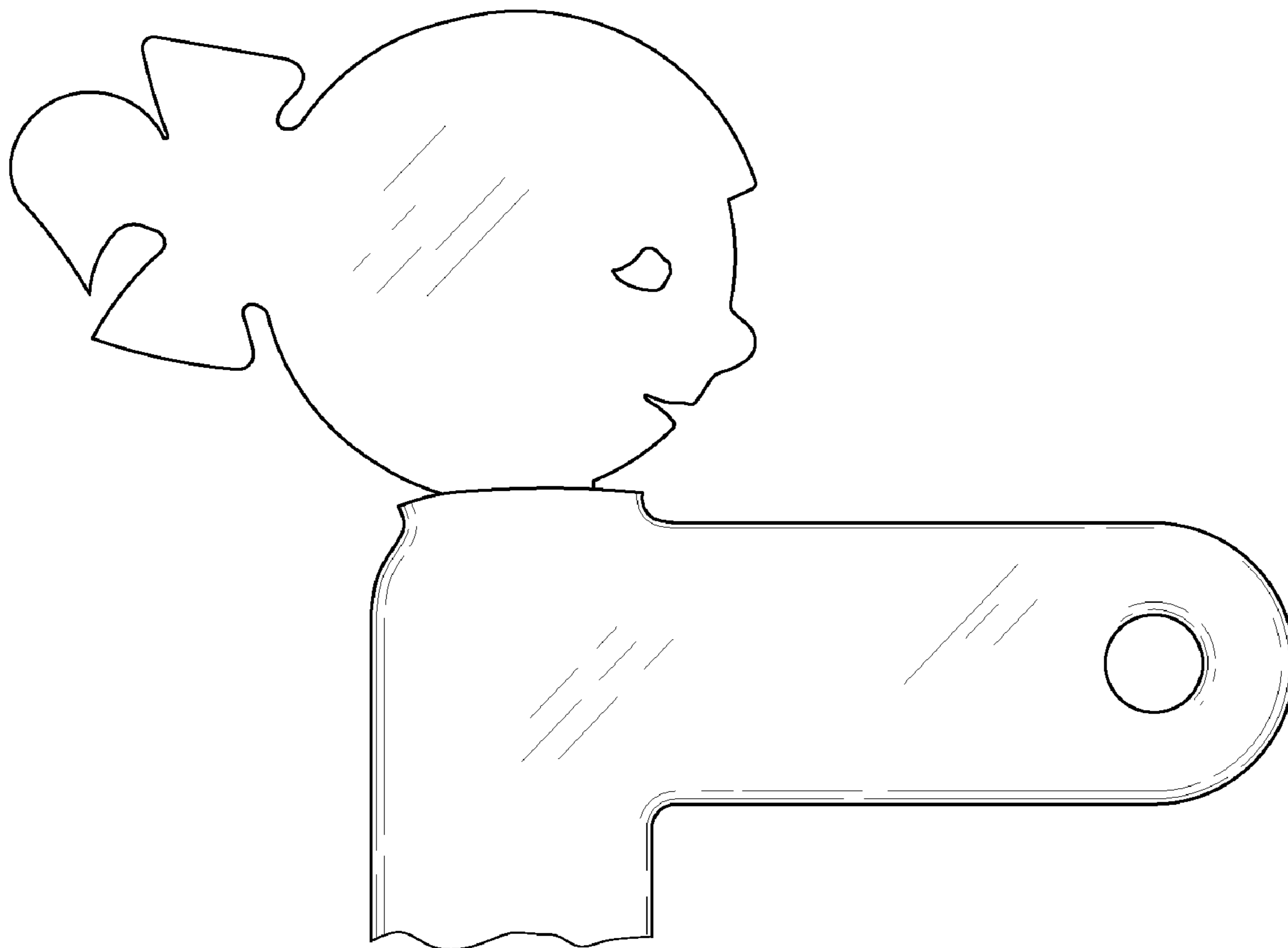


FIG. 4