



US00D610848S

(12) **United States Design Patent**  
**Yang et al.**

(10) **Patent No.:** **US D610,848 S**  
(45) **Date of Patent:** **\*\* Mar. 2, 2010**

(54) **BAMBOO PULL-OUT ORGANIZER**

(75) Inventors: **Frank Yang**, Rancho Palos Verdes, CA (US); **Tzu Hao Wei**, Hacienda Heights, CA (US); **Po-Ling Huang**, Brussels (BE); **Myk Lum**, Irvine, CA (US); **Adam Wade**, Rancho Santa Margarita, CA (US)

(73) Assignee: **SimpleHuman LLC**, Torrance, CA (US)

(\*\*) Term: **14 Years**

(21) Appl. No.: **29/340,082**

(22) Filed: **Jul. 13, 2009**

(51) **LOC (9) Cl.** ..... **06-06**

(52) **U.S. Cl.** ..... **D6/510**

(58) **Field of Classification Search** ..... D3/313, D3/319; D6/336, 432, 436, 441, 445-446, D6/448, 462, 509-511; D7/637; D34/27; 29/413; 312/108, 109, 199, 204, 257.1, 297, 312/330.1, 348.3, 348.4

See application file for complete search history.

(56) **References Cited**

U.S. PATENT DOCUMENTS

- 5,887,961 A \* 3/1999 Rosenberg et al. .... 312/348.3
- 6,493,917 B1 \* 12/2002 Sunka ..... 29/413
- 6,871,921 B2 \* 3/2005 Ernst ..... 312/348.3
- 7,066,563 B2 \* 6/2006 Berger ..... 312/348.3
- D531,779 S \* 11/2006 Huguet ..... D34/27
- D547,982 S \* 8/2007 Yang et al. .... D6/510

- D571,161 S \* 6/2008 Snider ..... D7/637
- D579,246 S \* 10/2008 Snider ..... D6/510
- D579,662 S \* 11/2008 Dretzka ..... D3/313
- D588,839 S \* 3/2009 Klein et al. .... D6/462

\* cited by examiner

*Primary Examiner*—Caron Veynar

*Assistant Examiner*—Ricky Pham

(74) *Attorney, Agent, or Firm*—Liu & Liu

(57) **CLAIM**

The ornamental design for the bamboo pull-out organizer, as shown in the accompanying drawings.

**DESCRIPTION**

FIG. 1 is a right perspective view of a bamboo pull-out organizer showing our new design;

FIG. 2 is a front view thereof;

FIG. 3 is a rear view thereof;

FIG. 4 is a left side view thereof, shown cut away to reflect an unspecified length;

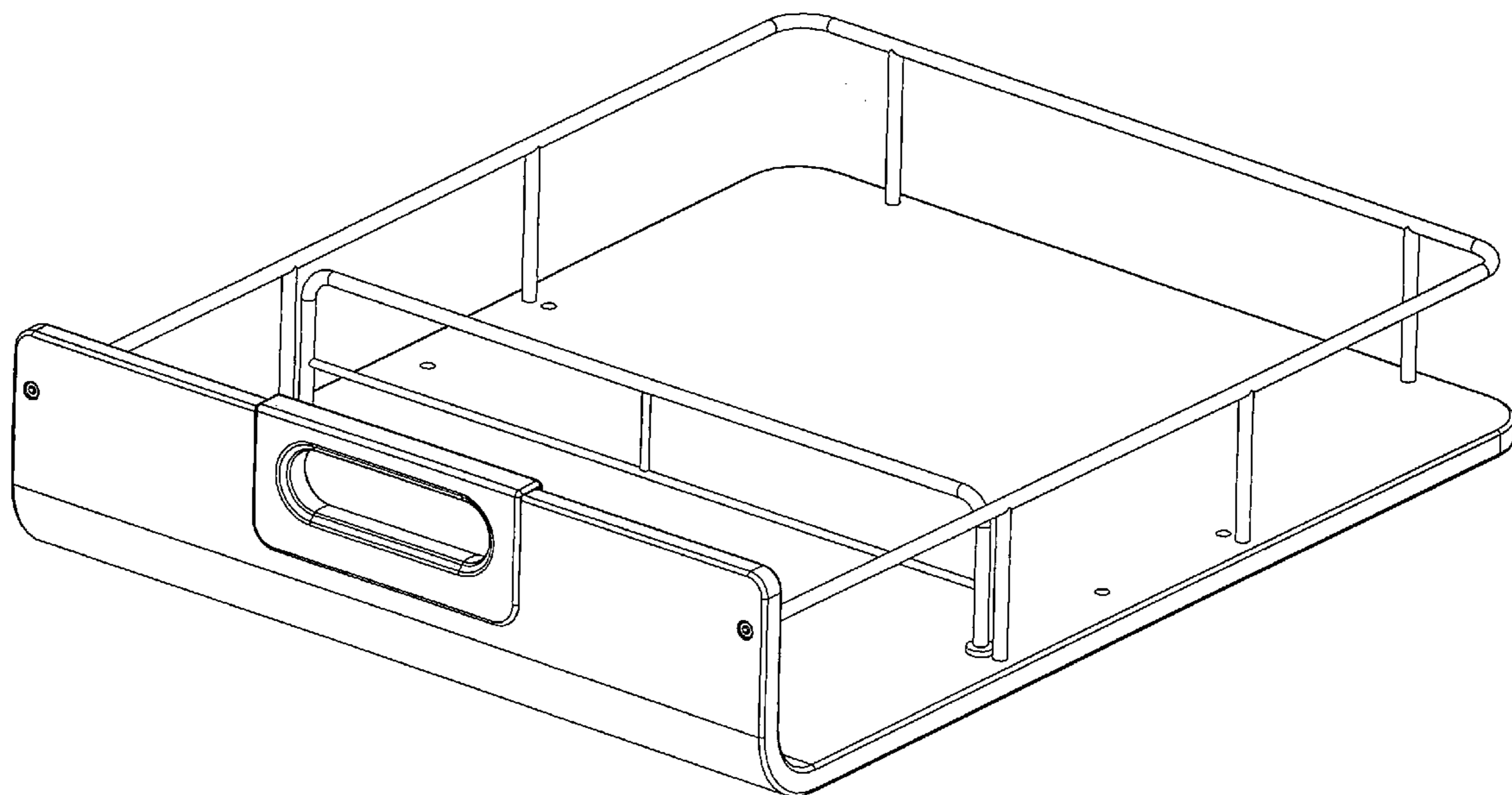
FIG. 5 is a right side view thereof;

FIG. 6 is a top plan view thereof, shown cut away to reflect an unspecified length;

FIG. 7 is a bottom plan view thereof; and,

FIG. 8 illustrates an alternate embodiment, showing a contrast in materials in different areas using shading on the bamboo pull-out organizer illustrated in FIGS. 1 to 7.

**1 Claim, 8 Drawing Sheets**



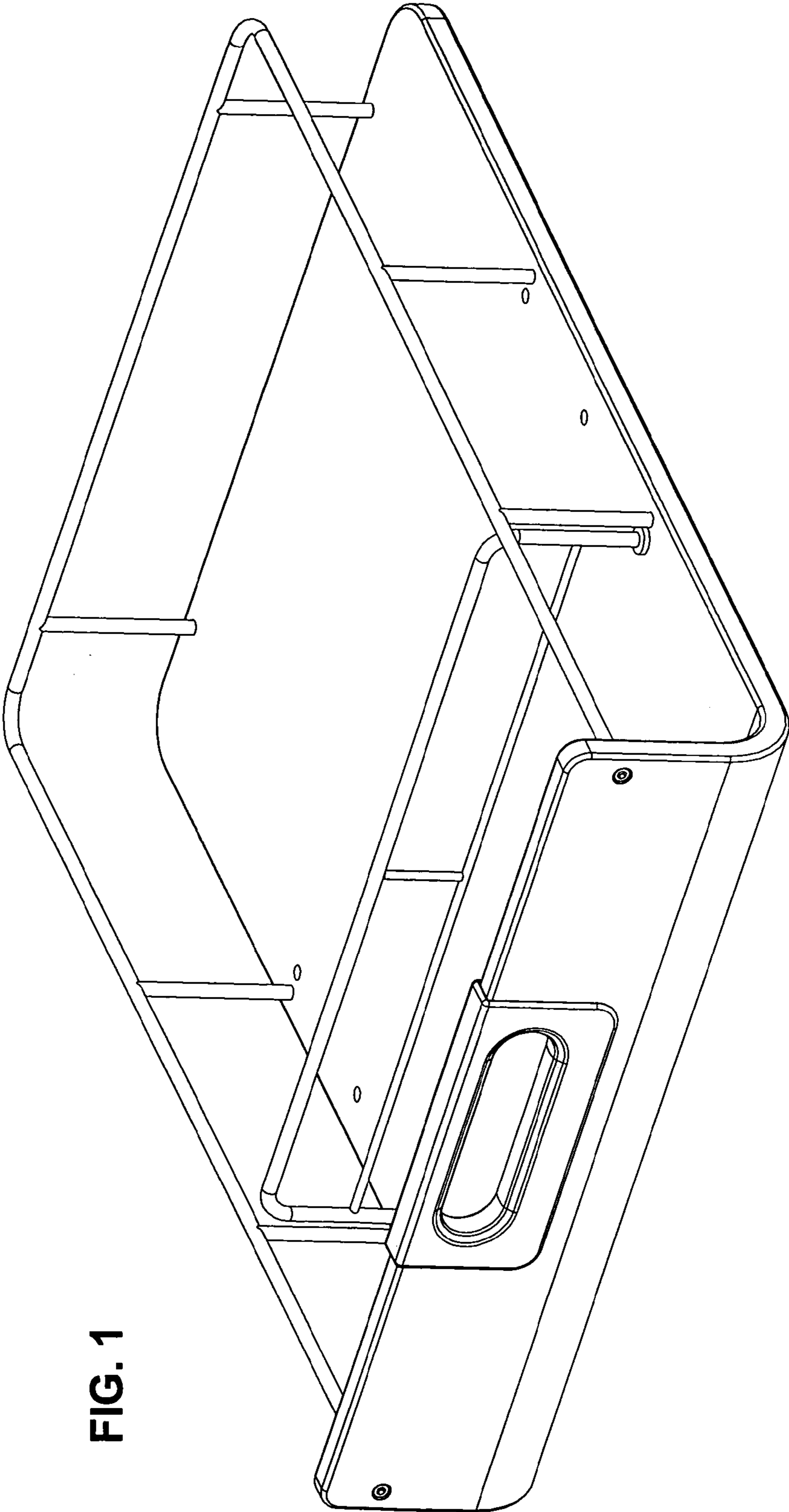


FIG. 1

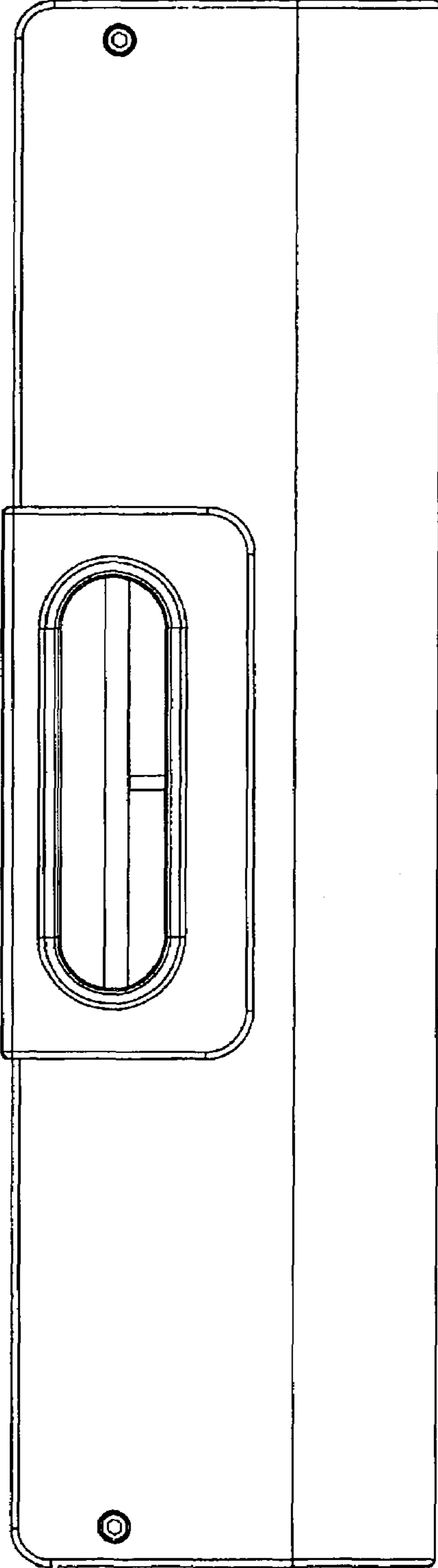
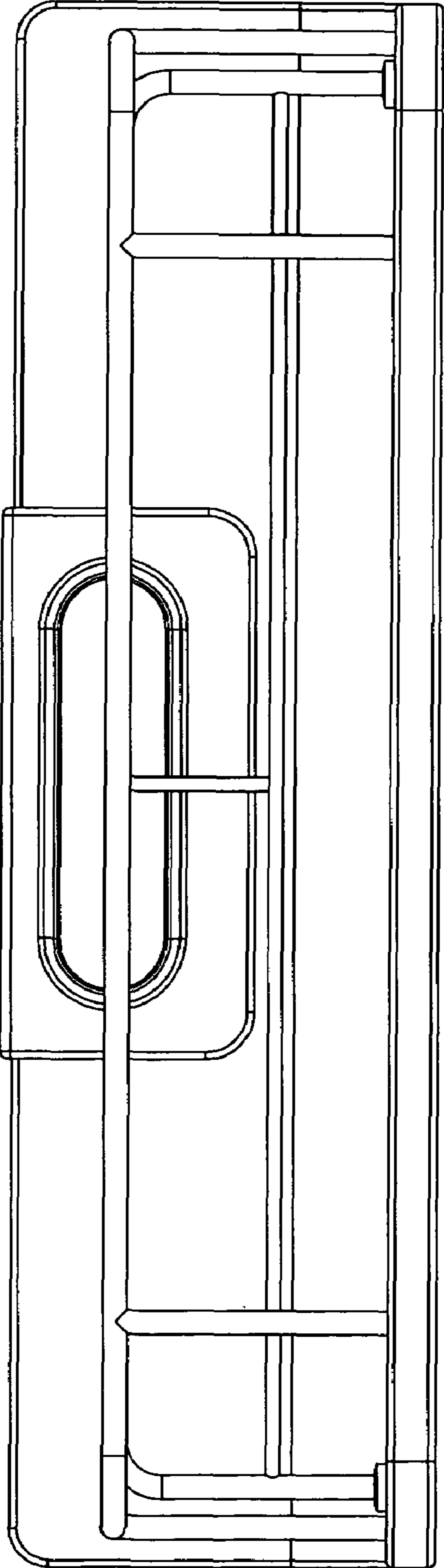


FIG. 2

FIG. 3



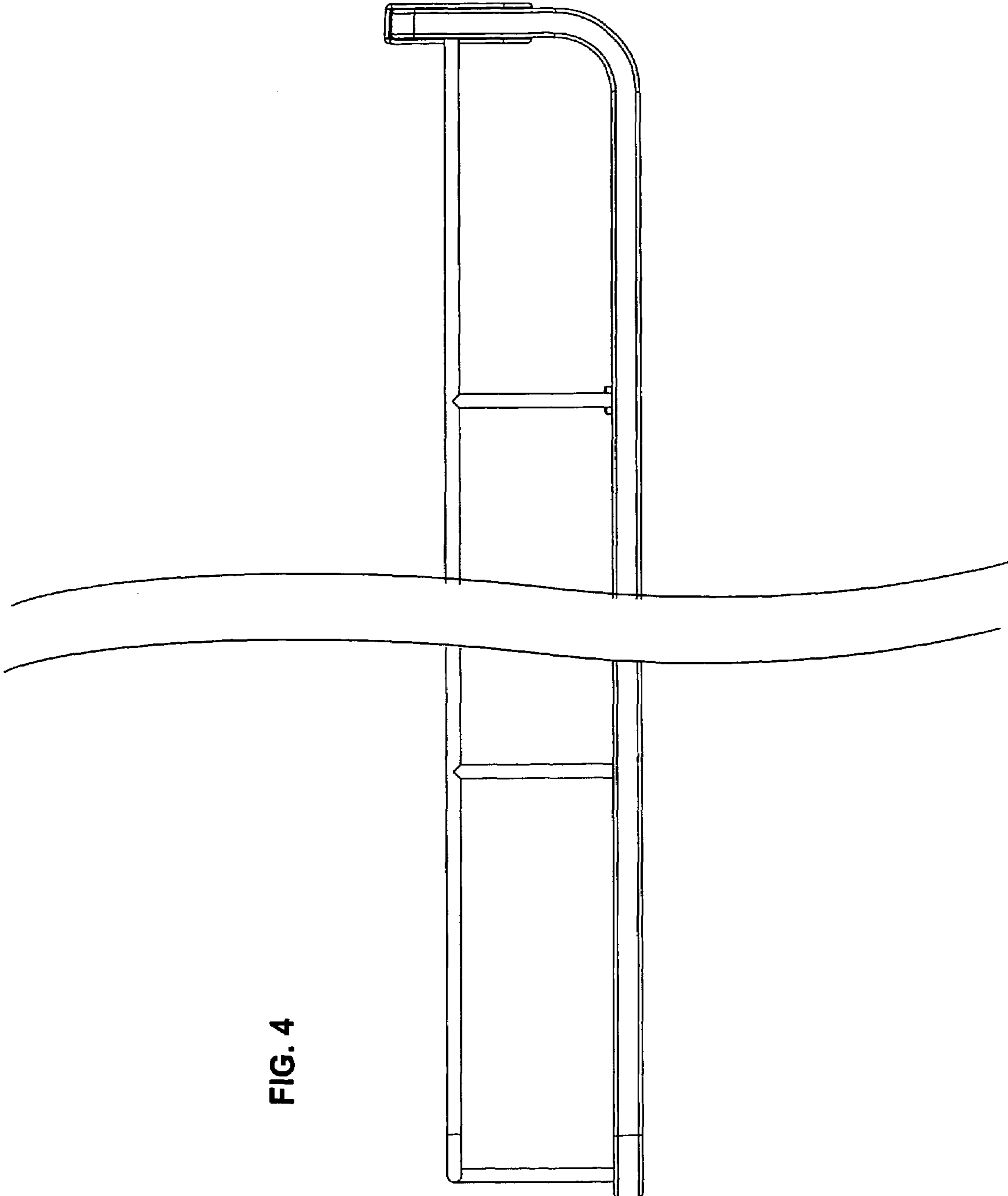
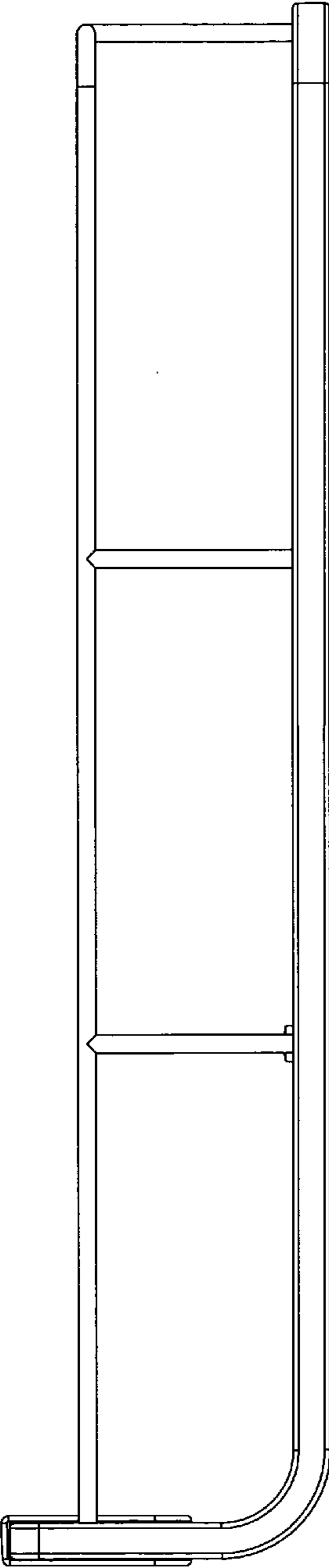


FIG. 4

FIG. 5



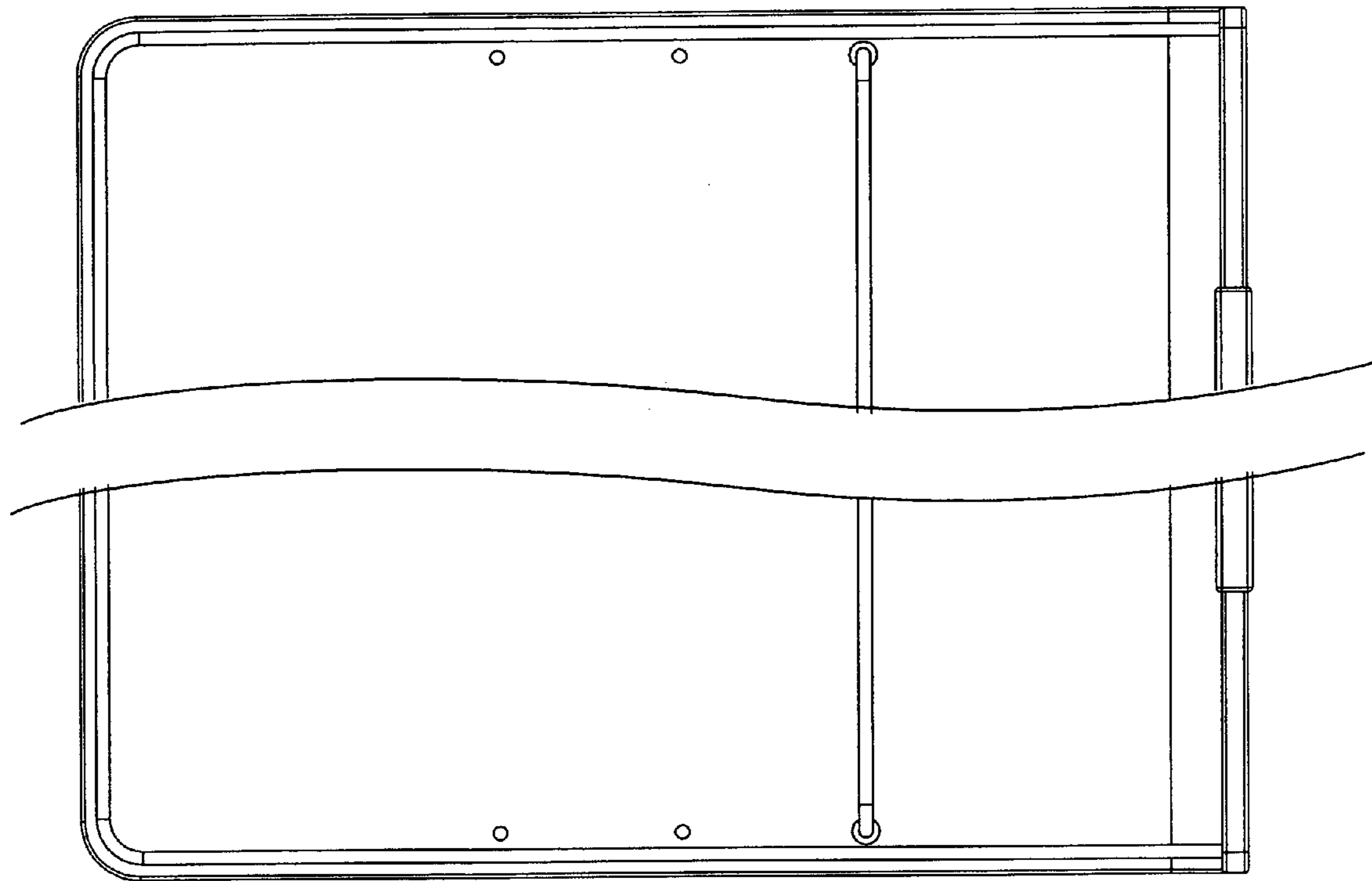


FIG. 6

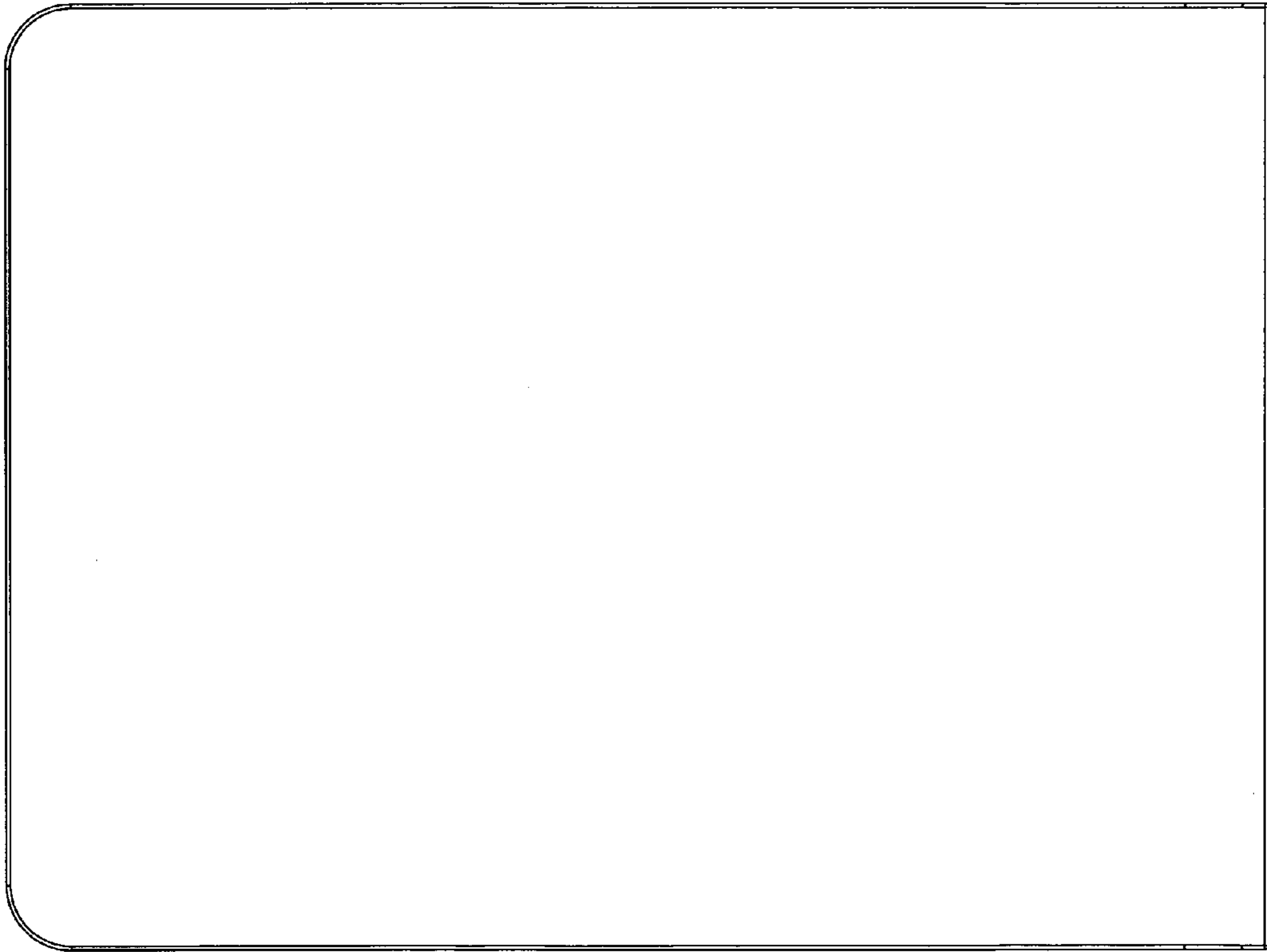


FIG. 7



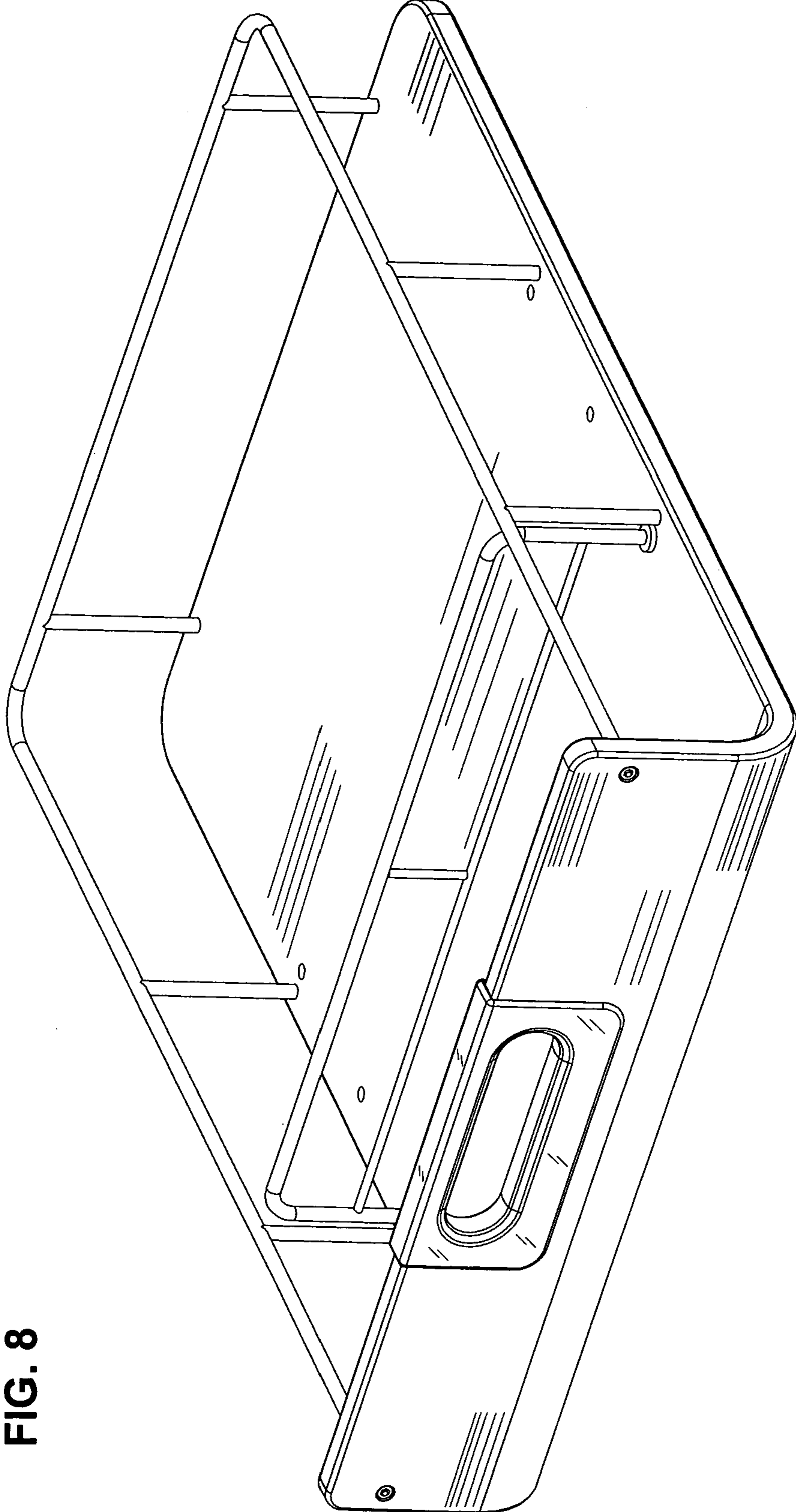


FIG. 8