



US00D610845S

(12) **United States Design Patent**
Schmitt

(10) **Patent No.:** **US D610,845 S**
(45) **Date of Patent:** **** Mar. 2, 2010**

(54) **BED HEADBOARD**
(75) Inventor: **Jack Schmitt**, San Juan Capistrano, CA (US)
(73) Assignee: **Amini Innovation Corporation**, Pico Rivera, CA (US)
(**) Term: **14 Years**
(21) Appl. No.: **29/310,093**
(22) Filed: **Jul. 25, 2008**

D470,681 S 2/2003 O'Hare
D471,732 S 3/2003 Warren et al.
D473,063 S 4/2003 O'Hare
D474,917 S 5/2003 Risdon
D475,218 S 6/2003 Schmitt
D475,224 S 6/2003 Paus
D475,862 S 6/2003 McDaniel et al.
D487,199 S 3/2004 Schmitt
D487,363 S 3/2004 Schmitt
D493,976 S 8/2004 Bergelin
D508,626 S 8/2005 Schmitt

(51) **LOC (9) Cl.** **06-06**
(52) **U.S. Cl.** **D6/505**
(58) **Field of Classification Search** D6/382-384,
D6/389, 392-395, 505-508; 5/53.1, 907,
5/279.1, 280, 281, 2.1
See application file for complete search history.

(Continued)

OTHER PUBLICATIONS

America's Oak Furniture, Schiffer, 1988, bed, p. 90.

(Continued)

Primary Examiner—Janice E Seeger
(74) *Attorney, Agent, or Firm*—Cislo & Thomas, LLP

(56) **References Cited**
U.S. PATENT DOCUMENTS

182,544 A	9/1876	Amaud	
1,087,573 A	2/1914	Dautrich	
D90,256 S	7/1933	McClure	
4,080,674 A	3/1978	Fredman et al.	
D389,663 S	1/1998	Paus	
D402,833 S	12/1998	Hazen et al.	
D404,217 S	1/1999	Zaidman et al.	
D441,980 S	5/2001	McDaniel et al.	
D442,432 S	6/2001	Vaaler	
D443,445 S	6/2001	O'Hare et al.	
D443,446 S	6/2001	O'Hare et al.	
D445,284 S	7/2001	Chen	
D445,592 S	7/2001	O'Hare et al.	
D449,939 S	11/2001	Vaaler	
D457,346 S	5/2002	O'Hare	
D459,120 S	6/2002	Stanton	
D460,288 S	7/2002	Vaaler	
D462,849 S *	9/2002	Lenger	D6/395
D463,157 S	9/2002	Lenger	
D468,552 S	1/2003	O'Hare	
D468,929 S *	1/2003	Jones et al.	D6/393
D470,329 S	2/2003	Vaaler	
D470,331 S	2/2003	Stanton	

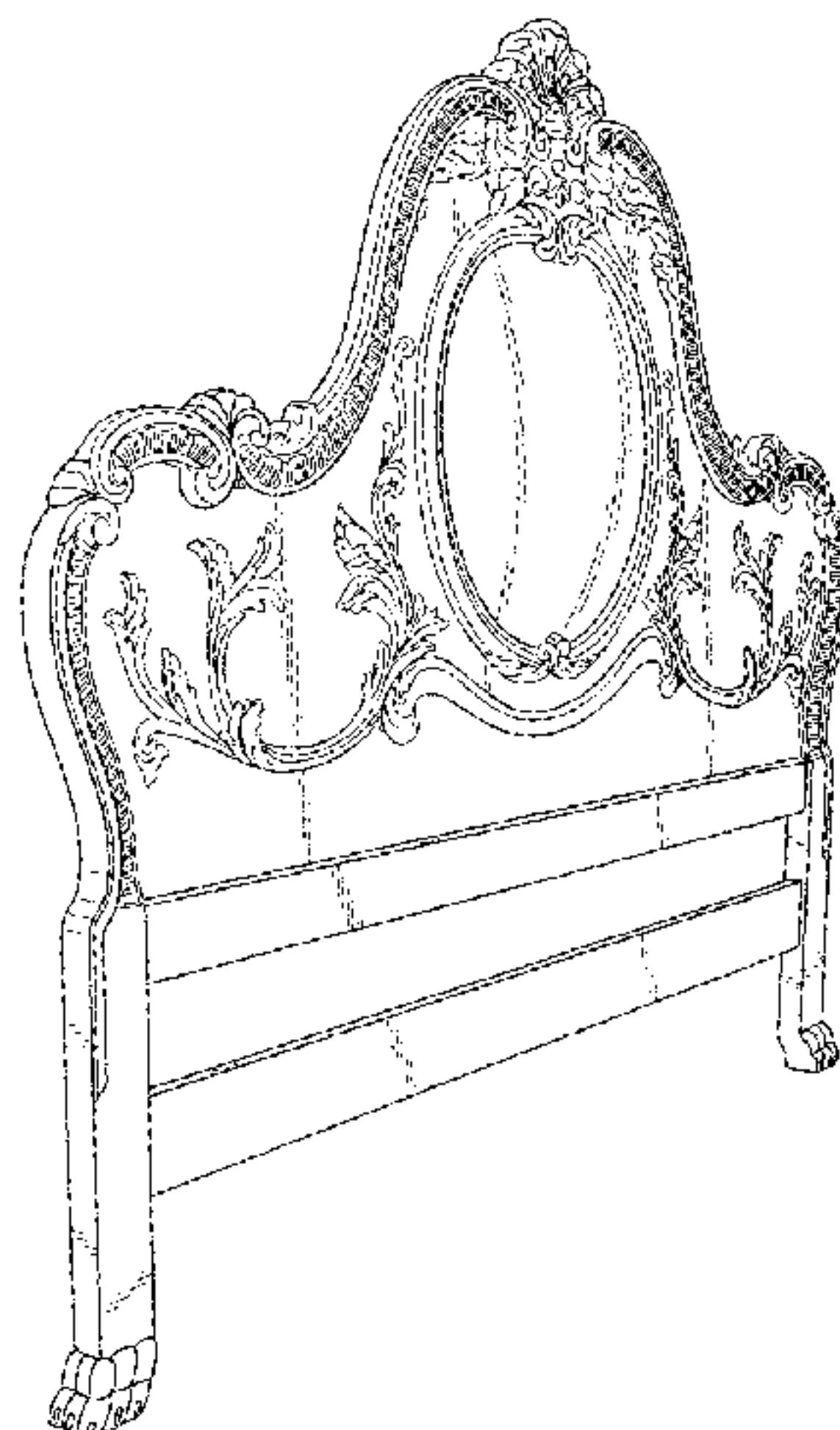
(57) **CLAIM**

The ornamental design for a bed headboard, as shown and described.

DESCRIPTION

FIG. 1 is a front view of my bed headboard;
FIG. 2 is a left side view thereof;
FIG. 3 is a perspective view thereof;
FIG. 4 is a fragmentary view of the top center portion thereof;
FIG. 5 is a fragmentary view of a portion of the perimeter ornamentation on the headboard; and,
FIG. 6 is a fragmentary view of the lower left portion of my headboard.

1 Claim, 4 Drawing Sheets



US D610,845 S

Page 2

U.S. PATENT DOCUMENTS

D518,321 S 4/2006 Schmitt
D519,308 S 4/2006 Schmitt
D519,764 S * 5/2006 O'Hare D6/505
D527,925 S * 9/2006 Domack et al. D6/393
D535,135 S 1/2007 Schmitt
D536,558 S 2/2007 Schmitt
D536,913 S 2/2007 Schmitt
D536,914 S 2/2007 Schmitt
D538,087 S 3/2007 Schmitt
D558,496 S * 1/2008 O'Hare et al. D6/505

D585,679 S * 2/2009 Domack et al. D6/505

OTHER PUBLICATIONS

Furniture Today, Source Mktg. bed, p. 192, Oct. 14, 2002.
Amini Innovation Corp., La Francaise Collection, #50000 Series,
Sep. 11, 2002, 3 pages.
Amini Innovation Corp., Royal Oak Collection, #31000 Series, Sep.
11, 2002, 1 page.
Amini Innovation Corp., Torino Collection, #56000 Series, Apr. 18,
2002, 1 page.
Ethan Allen Circular, Legacy Collection Iron Hoop Bed, p. 5, 1996.
Amini Innovation Corp., Trevi Collection, Sep. 20, 2004, 2 pages.

* cited by examiner

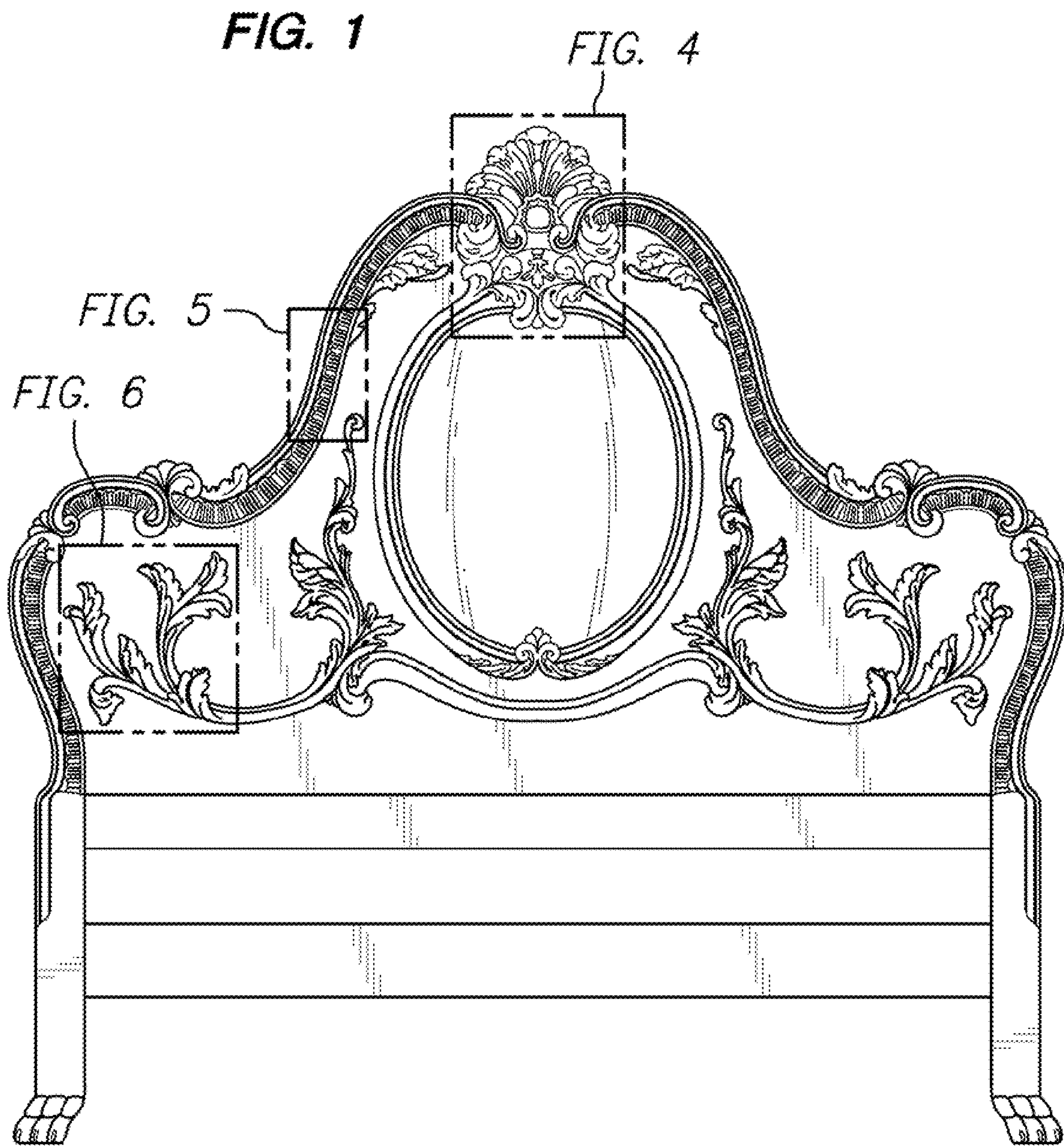


FIG. 2

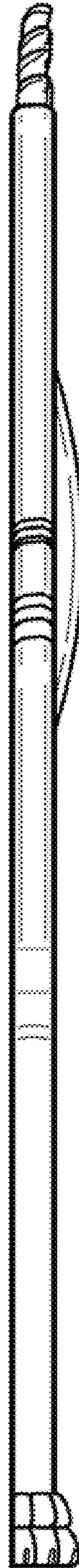


FIG. 3

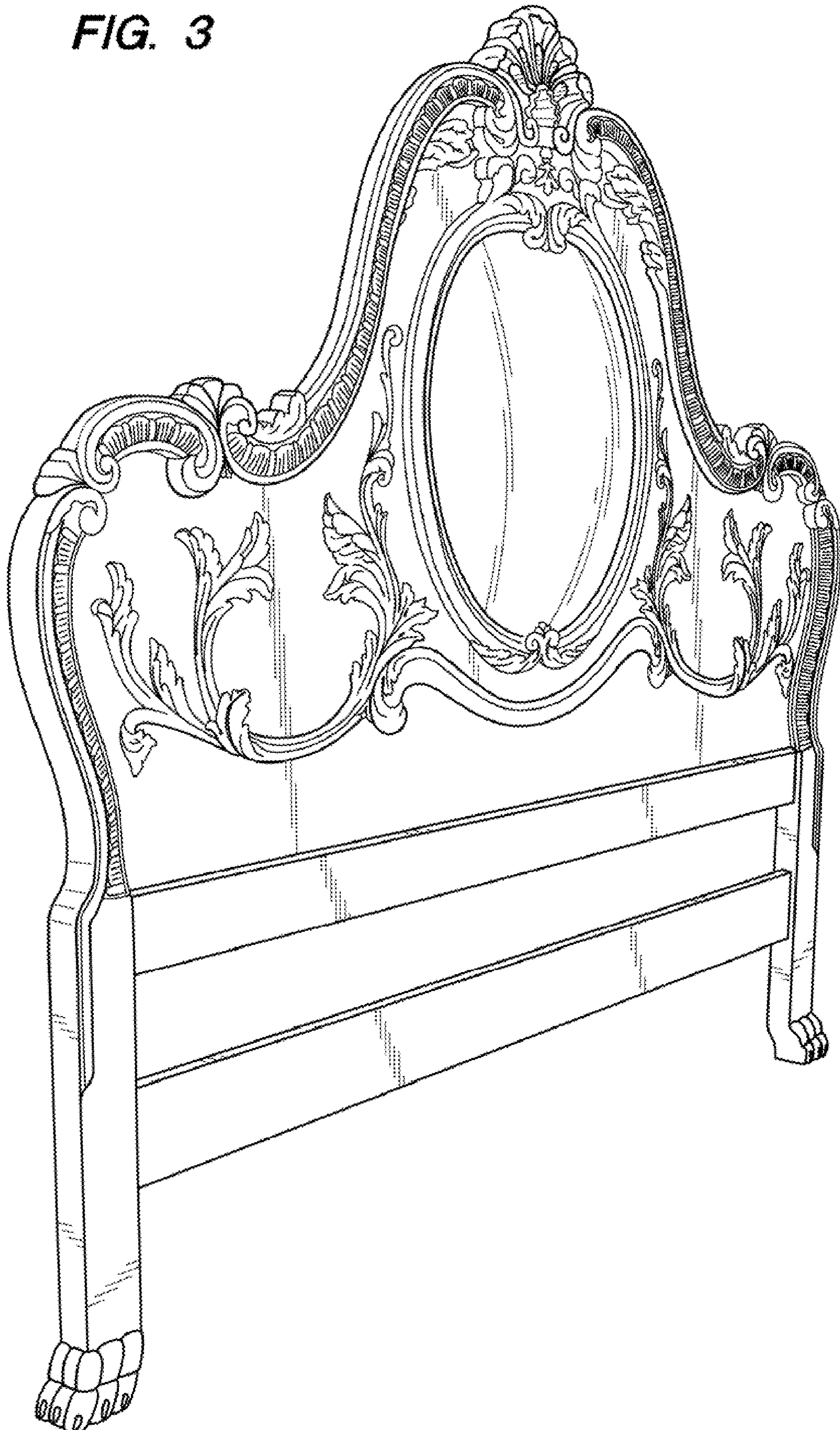


FIG. 4

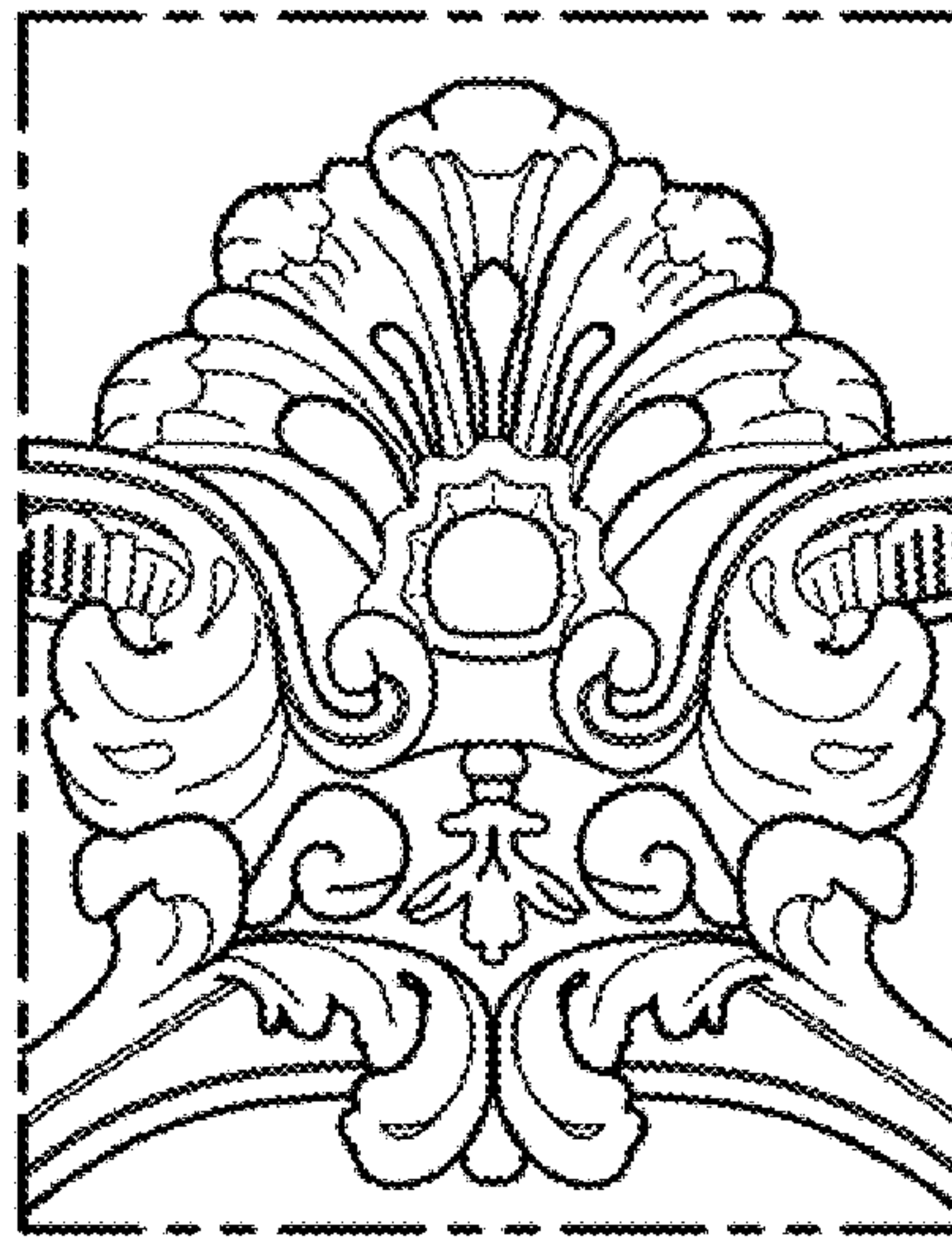


FIG. 5

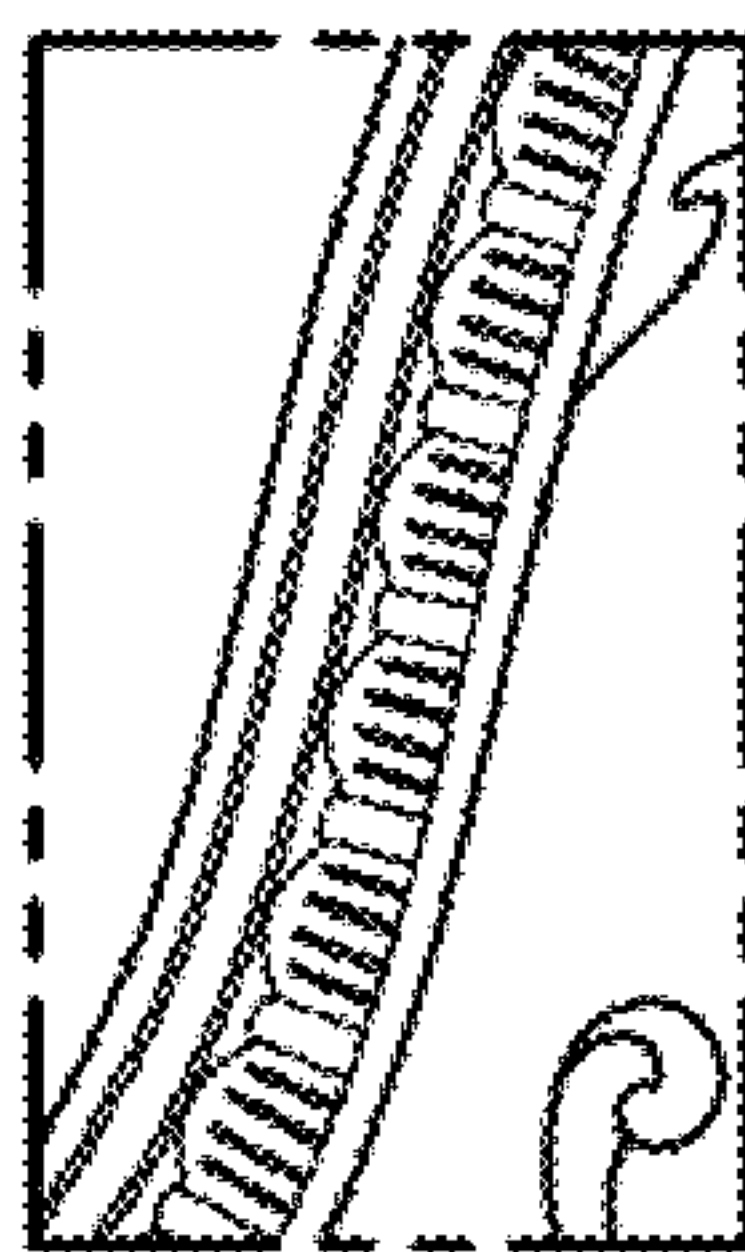


FIG. 6

