



US00D610844S

(12) **United States Design Patent**
Muller

(10) **Patent No.:** **US D610,844 S**
(45) **Date of Patent:** **** Mar. 2, 2010**

(54) **CHAIR BACKREST**

(75) Inventor: **Carl A. Muller**, Huntington Beach, CA (US)

(73) Assignee: **Elite Manufacturing Corporation**, Santa Fe Springs, CA (US)

(**) Term: **14 Years**

(21) Appl. No.: **29/336,189**

(22) Filed: **Apr. 29, 2009**

Related U.S. Application Data

(63) Continuation of application No. 29/330,824, filed on Jan. 14, 2009, now abandoned.

(51) **LOC (9) Cl.** **06-01**

(52) **U.S. Cl.** **D6/502**

(58) **Field of Classification Search** D6/334–336, D6/359–369, 374–375, 379–381, 498, 500–502; 297/284.4, 411.27, 452.13, 452.19, 452.21, 297/452.29, 452.3, 452.56, 452.64
See application file for complete search history.

(56) **References Cited**

U.S. PATENT DOCUMENTS

D147,615 S *	10/1947	Eames	D6/359
D168,465 S	12/1952	Lucas		
D181,032 S	9/1957	Winer		
D182,426 S	4/1958	McCarthy		
D193,708 S *	10/1962	Keown	D6/375
D195,256 S *	5/1963	Anderson et al.	D6/374
D205,658 S	9/1966	Muller		
D272,393 S	1/1984	Klier		
D334,296 S	3/1993	Hutton		

(Continued)

OTHER PUBLICATIONS

Klismos Chair: the most popular chair, on-line publication available on Apr. 6, 2009, at <http://soodiebeasley.blogspot.com/2009/01/klismos-chair-most-popular-chair.html>, 13-pages, Jan. 26, 2009.

Klismos Chair, Model No. 2880S, based on Darius Painter design, manufactured by Artistic Frame, New York, New York, available on-line on Apr. 6, 2009, at <http://www.artisticframe.com/browse/details.asp?productid=230>, 1-page.

(Continued)

Primary Examiner—Caron Veynar

Assistant Examiner—Ricky Pham

(74) *Attorney, Agent, or Firm*—Heslin Rothenberg Farley & Mesiti P.C.

(57) **CLAIM**

The ornamental design for a chair backrest, as shown and described.

DESCRIPTION

FIG. 1 is a perspective view of a chair backrest in accordance with the new design;

FIG. 2 is a front elevational view thereof;

FIG. 3 is a rear elevational view thereof;

FIG. 4 is a right side elevational view thereof;

FIG. 5 is a left side elevational view thereof;

FIG. 6 is a top view thereof;

FIG. 7 is a perspective view of a second embodiment of the chair backrest in accordance with the new design having portions with a brushed/metallic finish which is the sole difference between it and FIGS. 1–6;

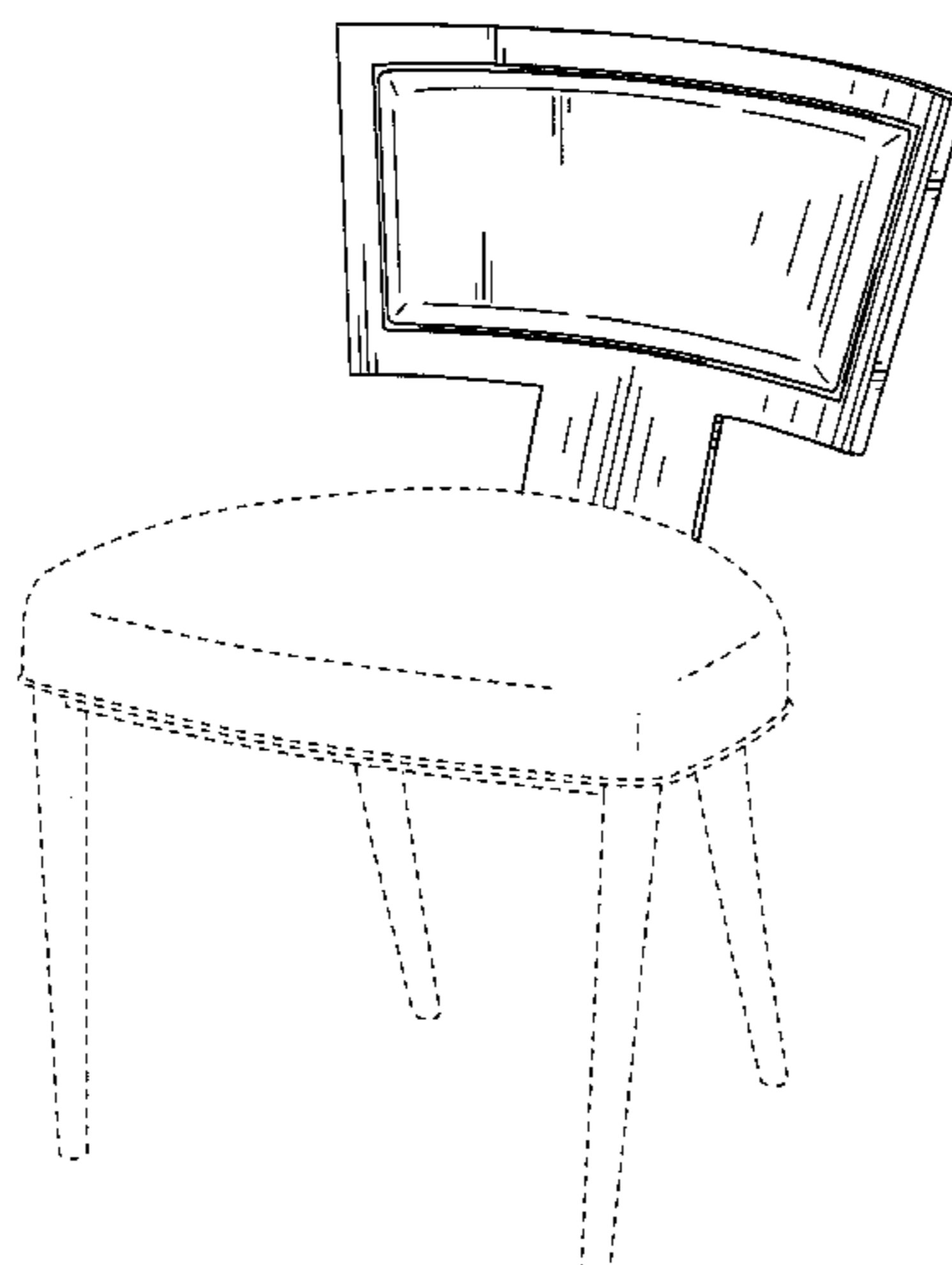
FIG. 8 is a perspective view of a third embodiment of the chair backrest in accordance with the new design having no specific width, which is the sole difference between it and FIGS. 1–6;

FIG. 9 is a perspective view of a fourth embodiment of the chair backrest in accordance with the new design having a tubular construction which is the sole difference between it and FIGS. 1–6; and,

FIG. 10 is a cross-sectional view taken along line 10–10 in FIG. 9.

The broken lines in the figures are for illustrative purposes only and form no part of the claimed design.

1 Claim, 9 Drawing Sheets



U.S. PATENT DOCUMENTS

D395,758	S	7/1998	Hutton	
D430,740	S *	9/2000	Chun	D6/334
D457,345	S	5/2002	Lewis	
D478,430	S *	8/2003	Olson	D6/380
D498,069	S	11/2004	Kreiss	
D504,580	S *	5/2005	Kreiss	D6/380
D512,236	S	12/2005	Preisig	
D514,837	S	2/2006	Muller	
D515,325	S *	2/2006	Goldman	D6/375
D523,648	S *	6/2006	Mourgue	D6/334
D540,562	S	4/2007	Muller	D6/381
D549,477	S *	8/2007	Bryant et al.	D6/369
D555,381	S *	11/2007	Swanson	D6/380
D562,581	S *	2/2008	Marin	D6/369
D574,161	S	8/2008	Sneujink et al.	
D596,869	S *	7/2009	Massaud	D6/369

OTHER PUBLICATIONS

Contemporary Painted Klismos Chair, Inventory No. 818, Copied After Swedish Klismos Chairs Dating to the Early 19th Century, Upholstered in Shantung Silk, from Burden & Izzet Ltd, New York, New York, available on-line on Apr. 6, 2009, at <http://www.burdenandizett.net/DisplayAd.ashx?id=812>, 1-page.

Klismos Chair, Item: 2004-200, designer John Black, Modern interpretation of classical Greek form, from Councill Company, LLC, Denton, North Carolina, available online on Apr. 6, 2009, at http://images.google.com/imgres?imgurl=http://www.councill.com/products/thumb/2004_200.jpg&imgrefurl=http://www.councill.com/upholstery/diningchairs&usg=__FBVp0pW9NrsZds2gpJT_P3LdCI=&h=80&w=112&sz=5&hl=en&start=5&um=1&tbnid=L4ok1LFpAXa6AM:&tbnh=61&tbnw=86&prev=/images%3Fq%3Dcouncill%2Bklismos%26ndsp%3D20%26hl%3Den%26rlz%3DIT4DKUS_enUS235US237%26sa%3DN%26um%3D1, 1 page.

Klismos Chair, Model No. 7041, designer John Hutton, manufactured by Donghia, Inc., available on Apr. 6, 2009 at [http://images.google.com/imgres?imgurl=http://www.donghia.com/images/FUKlismos.jpg&imgrefurl=http://www.donghia.com/furniture/upholstery-seating/klismos_chair.php&usg=__RkNz4CvSrKXHdQ6FzeosKGiLXpU=&h=475&wRkNz4CvSrKXHdQ6fzeosKGiLXpU=&h=475&w=350&sz=61&hl=en&start=2&um=1&tbnid=Utwjh4nnkvnbTM:&tbnh=129&tbnw=95&prev=/images%3Fq%](http://images.google.com/imgres?imgurl=http://www.donghia.com/images/FUKlismos.jpg&imgrefurl=http://www.donghia.com/furniture/upholstery-seating/klismos_chair.php&usg=__RkNz4CvSrKXHdQ6FzeosKGiLXpU=&h=475&wRkNz4CvSrKXHdQ6fzeosKGiLXpU=&h=475&w=350&sz=61&hl=en&start=2&um=1&tbnid=Utwjh4nnkvnbTM:&tbnh=129&tbnw=95&prev=/images%3Fq%3Ddonghia%2Bklismos%26hl%3Den%26rlz%3DIT4DKUS_enUS235US237%26sa%3DG%26um%3D1)

http://images.google.com/imgres?imgurl=http://www.donghia.com/images/Fanziano.jpg&imgrefurl=http://www.donghia.com/furniture/upholstery-seating/&usg=-mO_WewAHiPwF0ePGQoSNMoujIs=&h=427&w=350&sz=54&hl=en&start=1&um=1&tbnid=3uvsvWnwIFnO_M:&tbnh=126&tbnw=103&prev=/images%3Fq%3DDonghia%2Bklismos%2BAnziano%2B90002%26hl%3Den%26rlz%3DIT4DKUS_enUS235US237%26sa%3DN%26um%3D1, 1-page.

Anziano Chair, Model No. 90002, designer John Hutton, manufactured by Donghia, Inc., available on Apr. 6, 2009 at http://images.google.com/imgres?imgurl=http://www.donghia.com/images/Fanziano.jpg&imgrefurl=http://www.donghia.com/furniture/upholstery-seating/&usg=-mO_WewAHiPwF0ePGQoSNMoujIs=&h=427&w=350&sz=54&hl=en&start=1&um=1&tbnid=3uvsvWnwIFnO_M:&tbnh=126&tbnw=103&prev=/images%3Fq%3DDonghia%2Bklismos%2BAnziano%2B90002%26hl%3Den%26rlz%3DIT4DKUS_enUS235US237%26sa%3DN%26um%3D1, 1-page.

Klismos Chair, manufactured by John Boone, Inc. Of New York, New York, 1-page, introduced after 2001.

Klismos Chair, designer T.H. Robsjohn-Gibbings, manufactured by Eleftherios Saridis, Athens, Greece, 1-page, 1961.

Klismos Side Chair, manufactured by Kreiss Enterprises, available on Apr. 6, 2009, at http://www.kreiss.com/product.cfm?product_id=640, 1-page.

Sylvan Slipper Chair, designer Edward Ferrell and Lewis Mittman, Model No. CH7861, manufactured by Edward Ferrell/Lewis Mittman, available on Apr. 6, 2009, at <http://decorati.com/product/tearsheet/48209>, 1-page.

Klismos Lounge, designer William Haines, 1-page, 1940s.

Carl A. Muller, pending U.S. Appl. No. 29/330,823, filed Jan. 14, 2009 entitled "Chair Backrest", 11-pages.

Carl A. Muller, pending U.S. Appl. No. 29/336,199, filed Apr. 29, 2009 entitled "chair Backrest", 11-pages.

Carl A. Muller, co-pending U.S. Appl. No. 29/330,824, filed Jan. 14, 2009 entitled "Chair Backrest", 11-pages.

Carl A. Muller, pending U.S. Appl. No. 29/329,841, filed Dec. 22, 2008 entitled "Table Support", 9 pages.

Klismos Chair, designer unknown, available from Linley, England, printout available online on Aug. 10, 2009 at <http://www.davidlinley.com/Chairs/Klismos-chair-in-walnut/invt/37396>, 1-page.

Klismos Chair, available from The Source Perrier Collection, printout available online on Aug. 10, 2009 at <http://materialgirlsblog.com/losangeles/2008/11/10/the-source-perrier/>, 5-pages, Nov. 10, 2008.

Orient Klismos Occasional Chair, manufactured by The Wicker Works, printout available online on Apr. 6, 2009 at <http://decorati.com/product/18669/orient-klismos-side-chair>, 1-page.

* cited by examiner

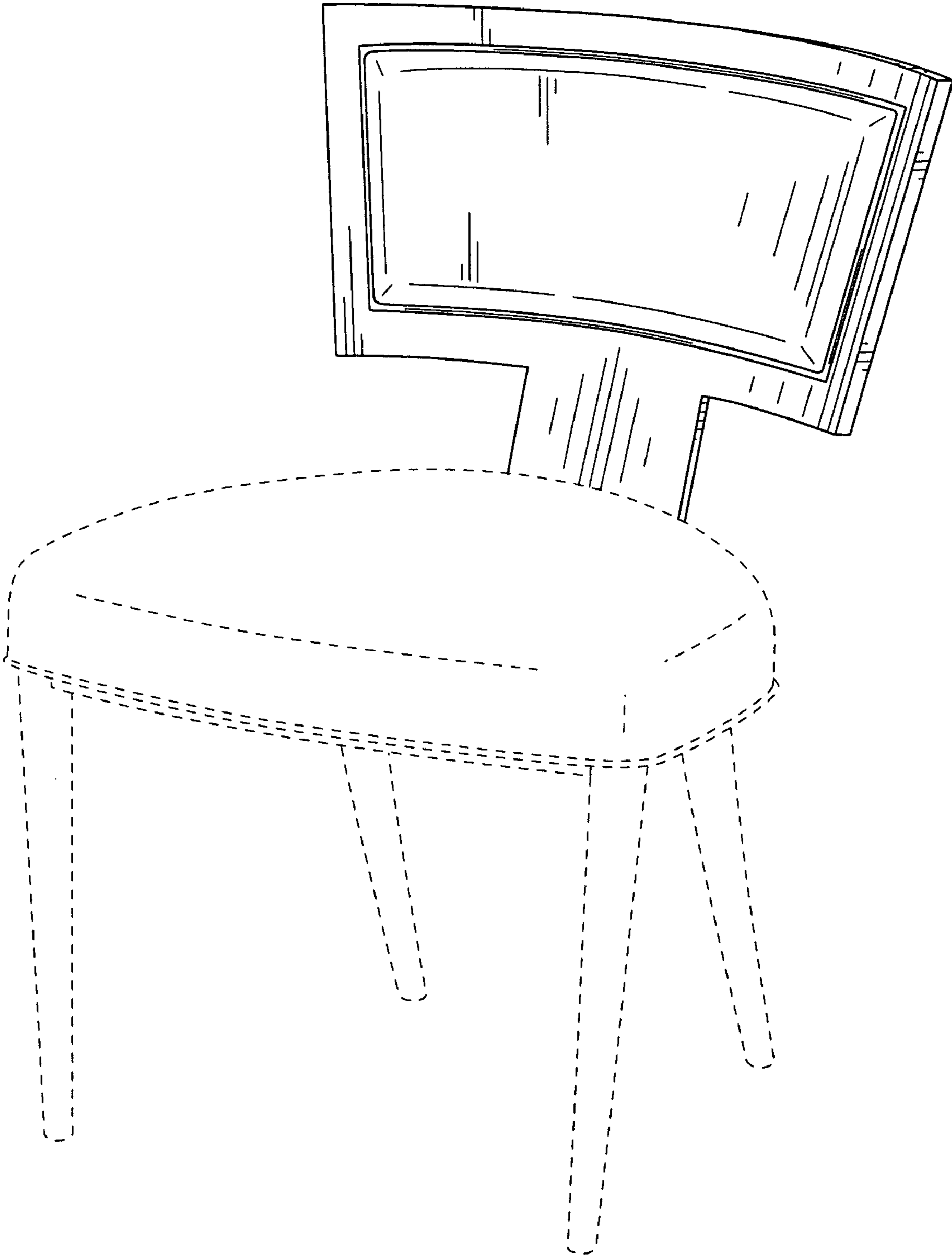


FIG. 1

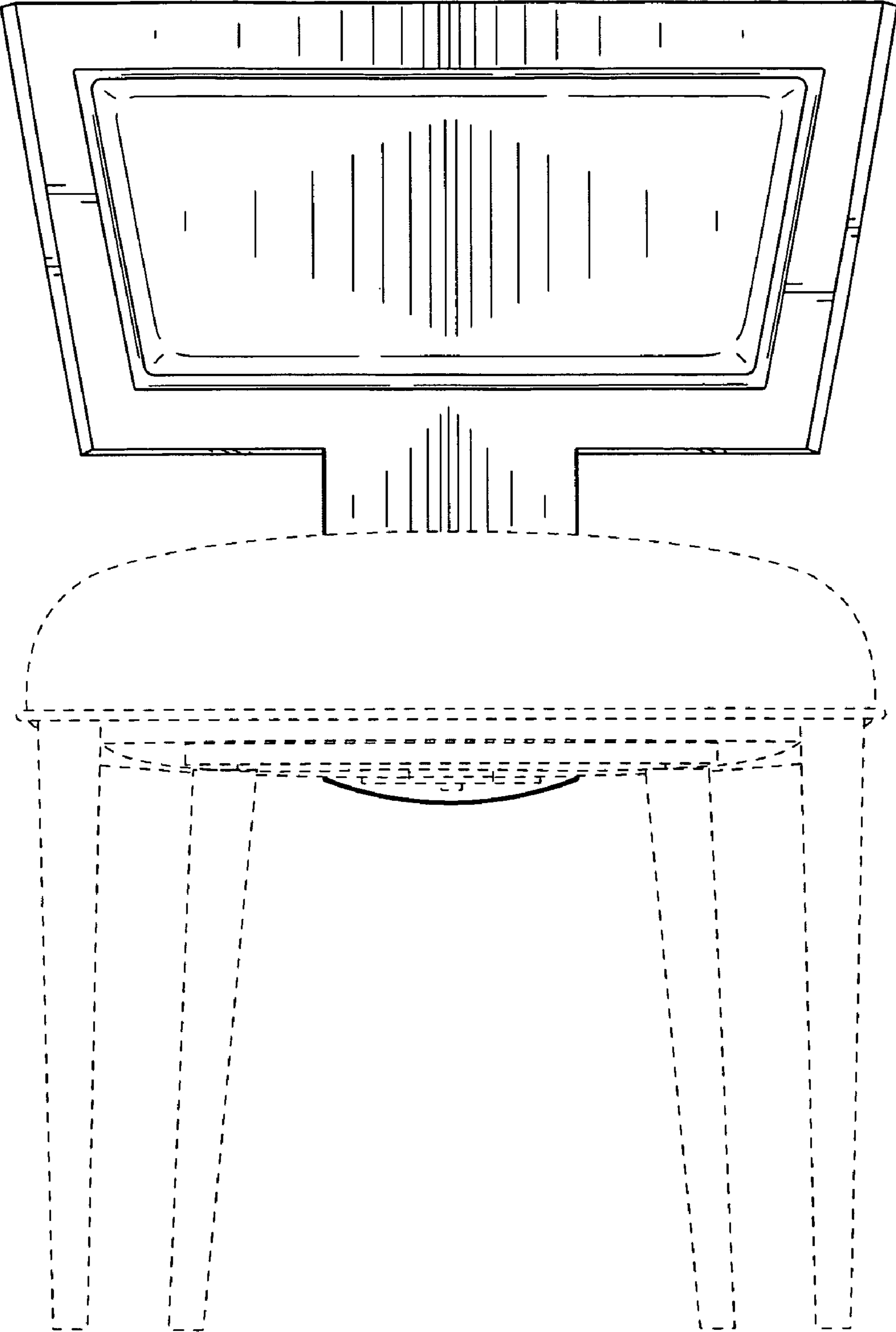


FIG. 2

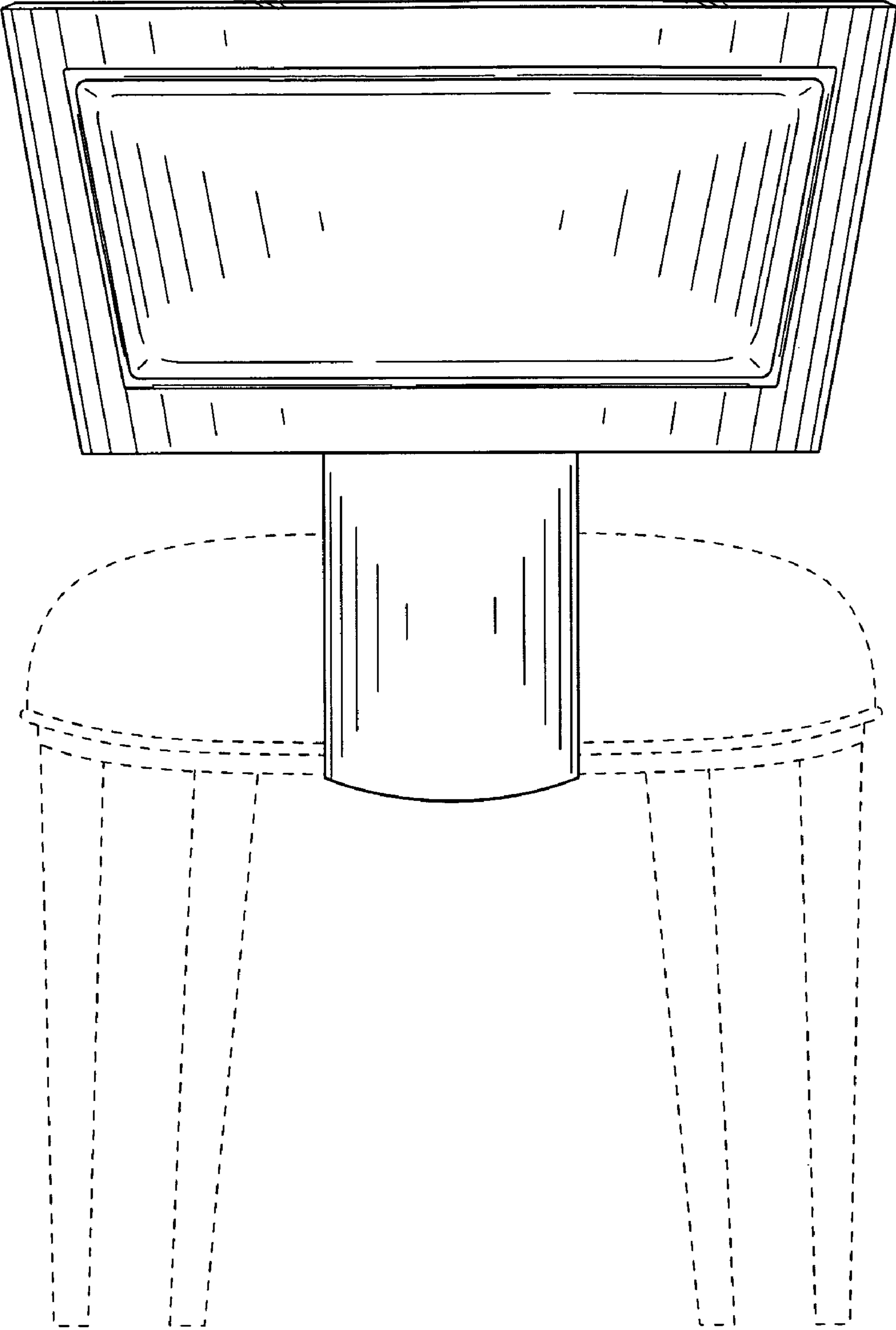


FIG. 3

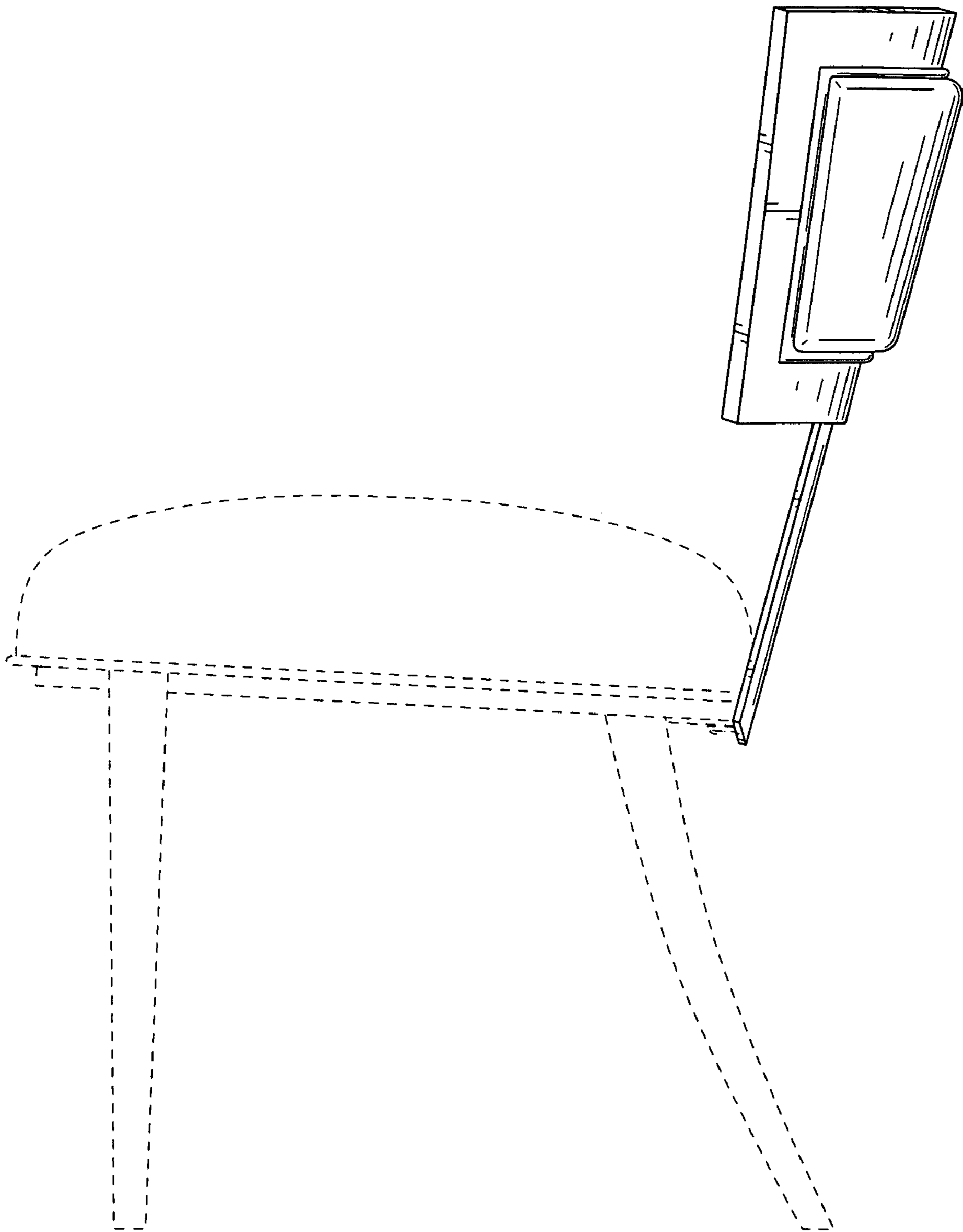


FIG. 4

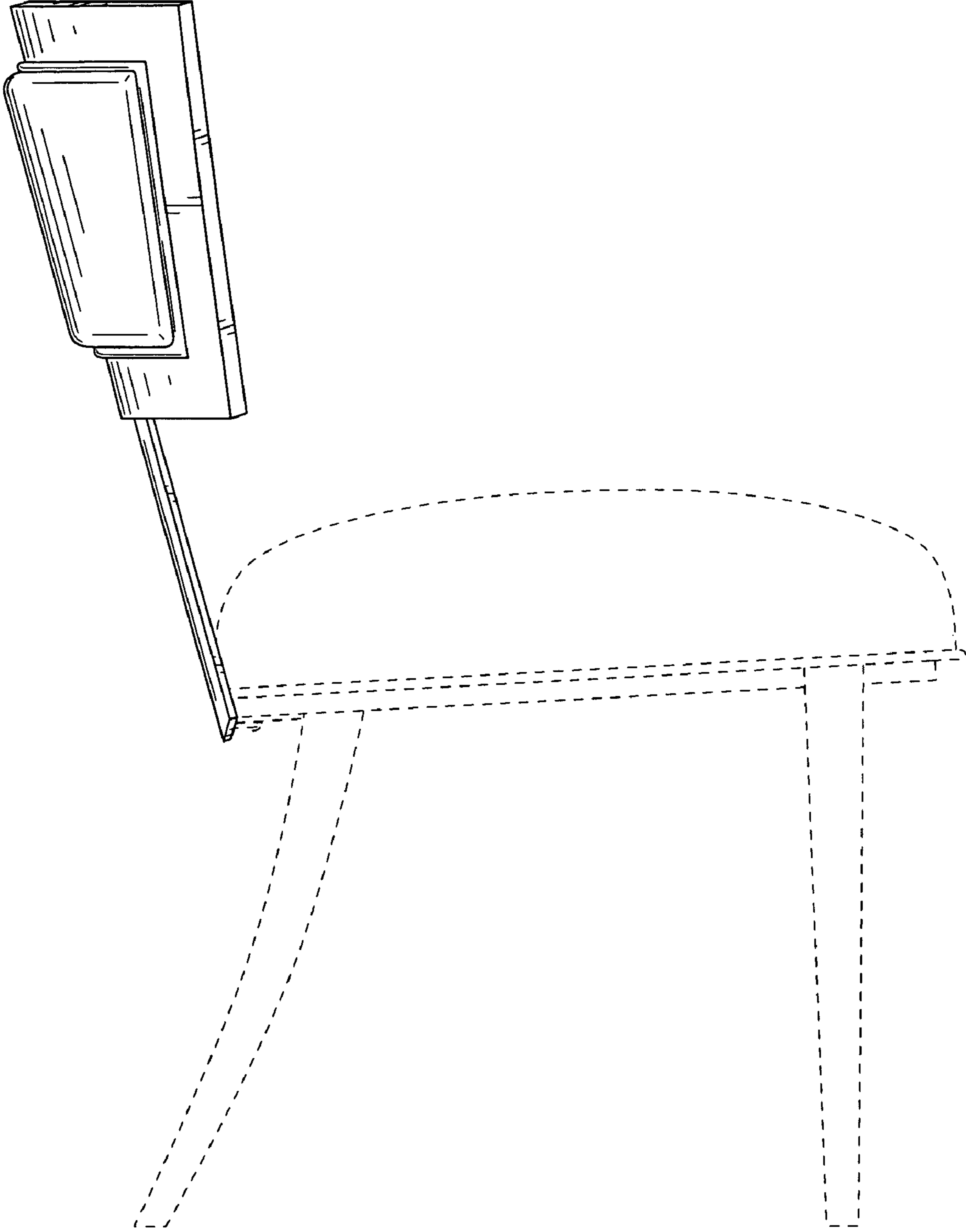


FIG. 5

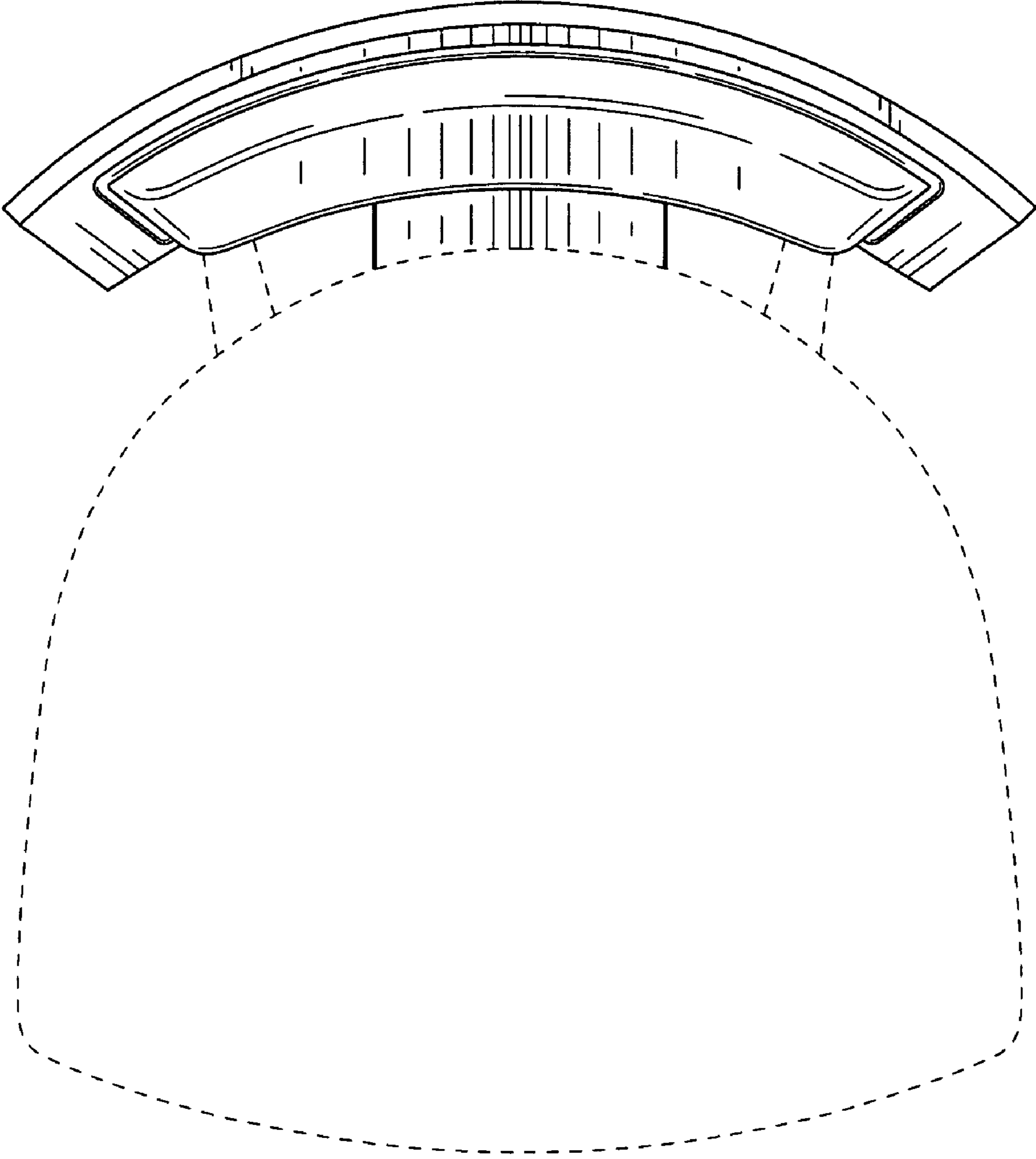


FIG. 6

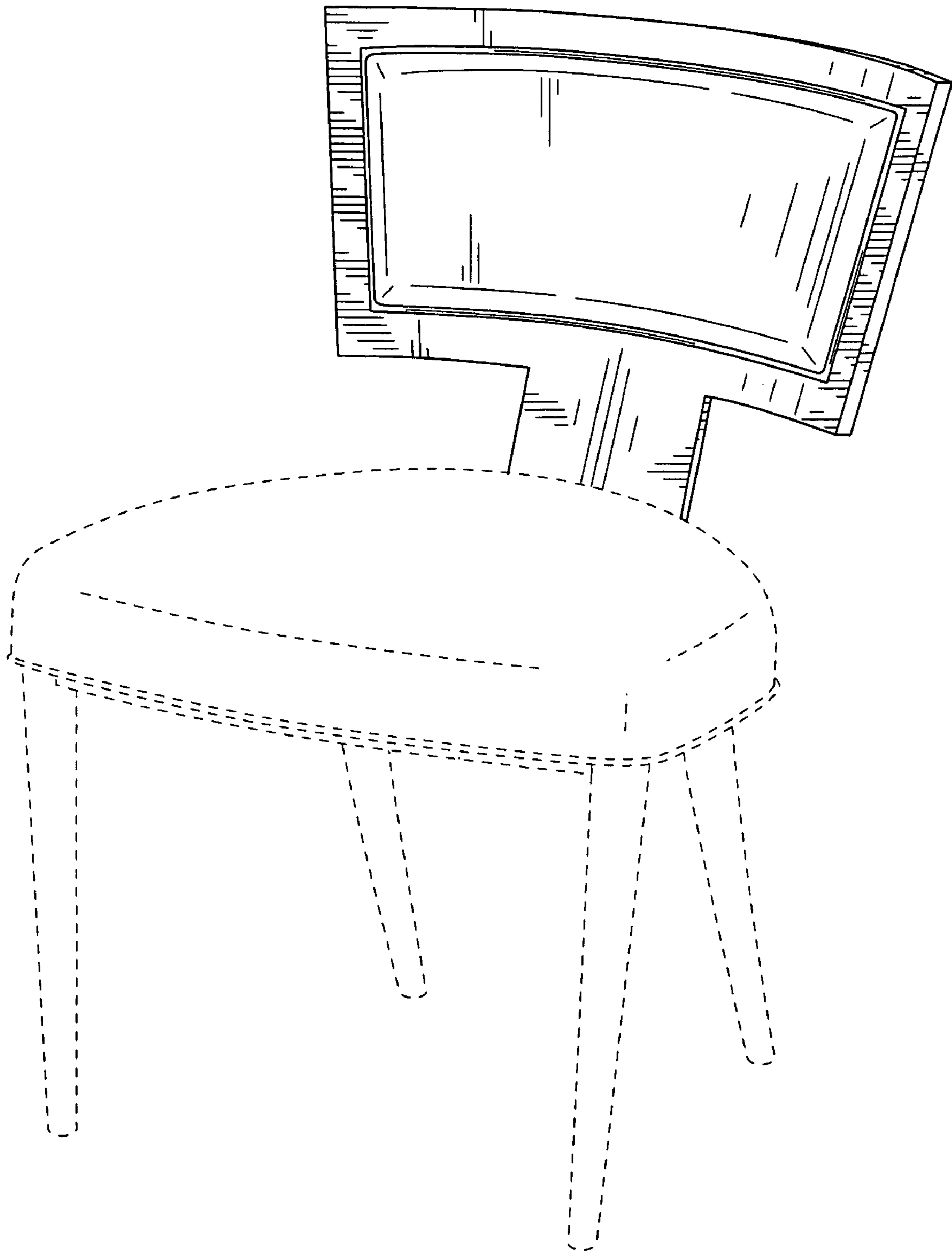


FIG. 7

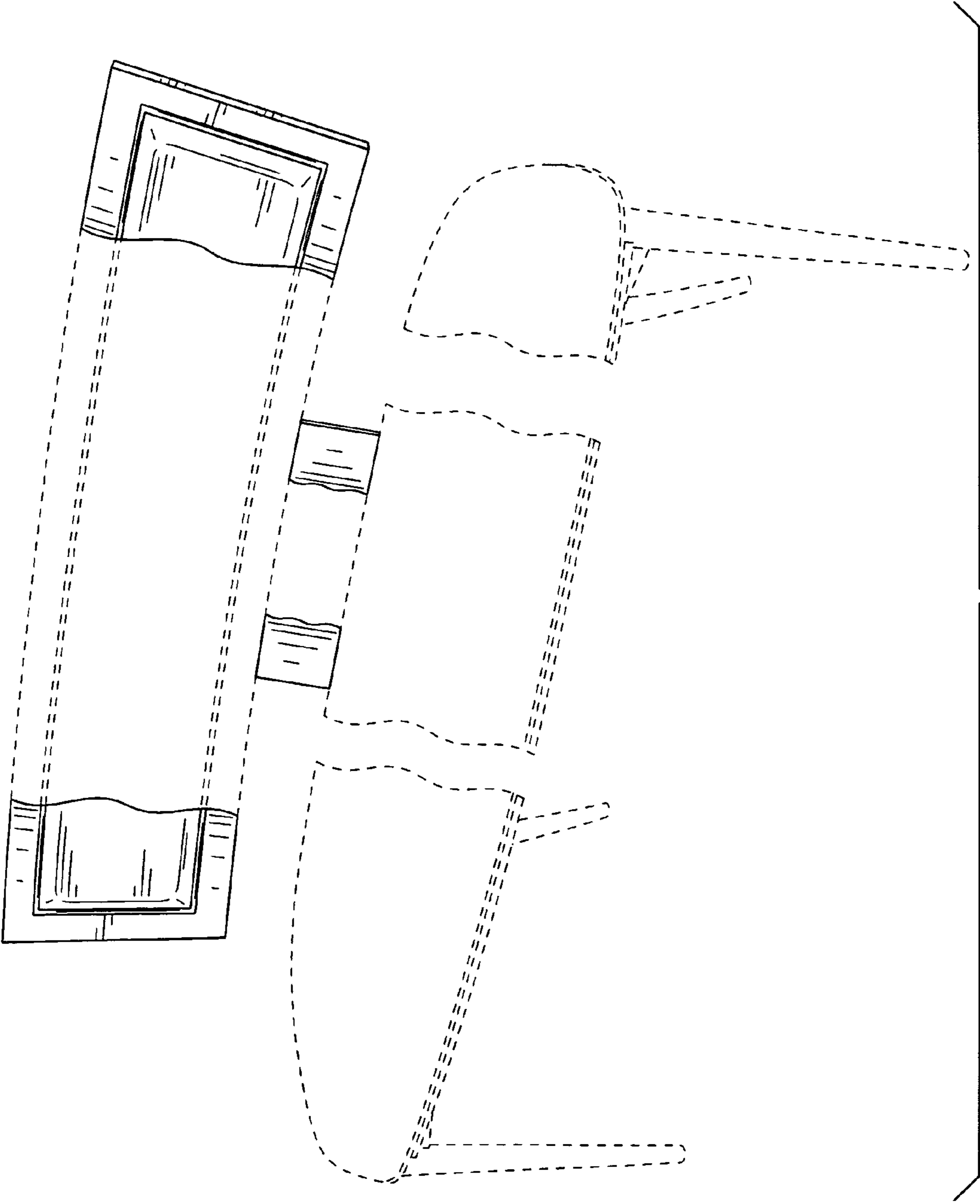


FIG. 8

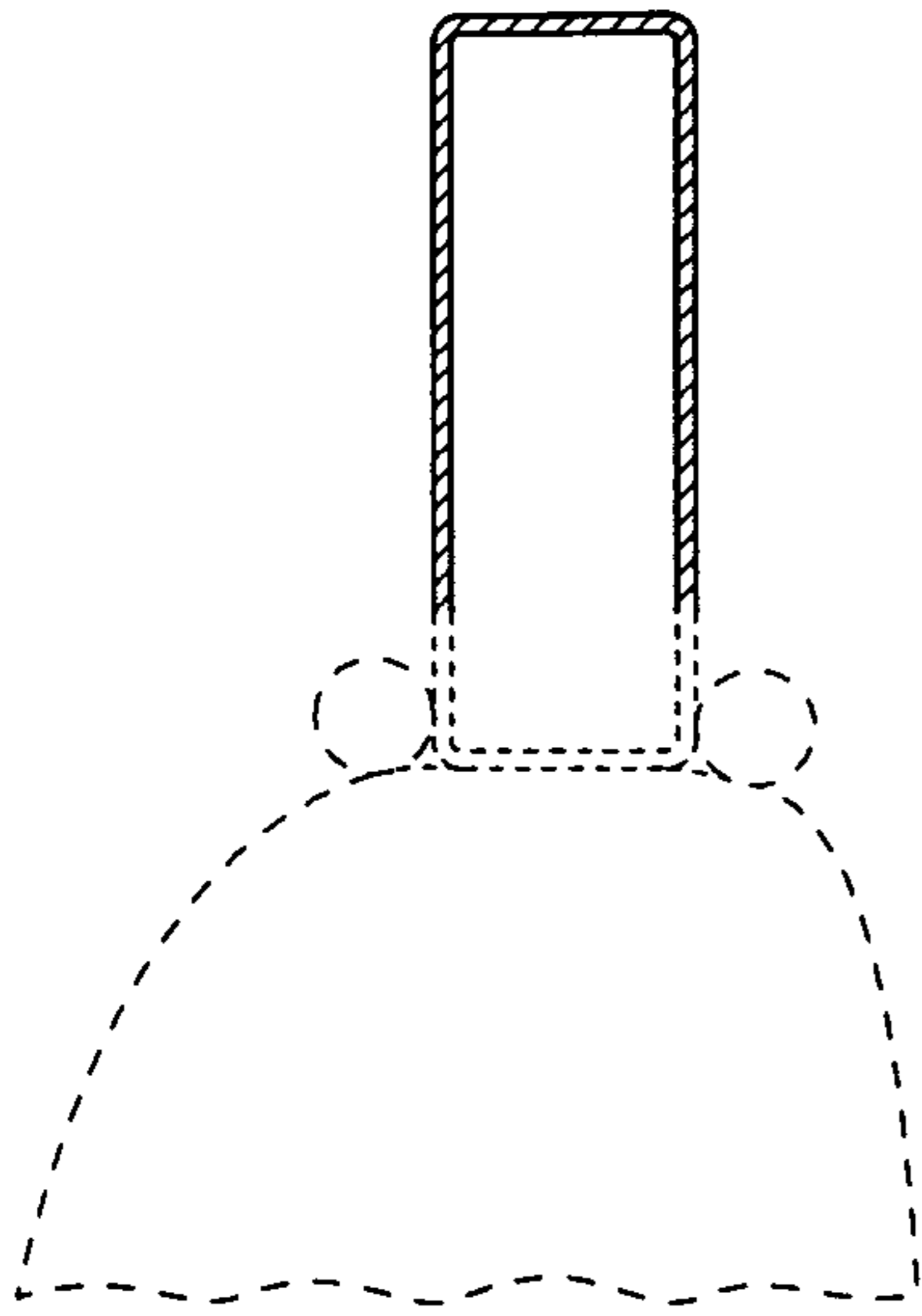


FIG. 10

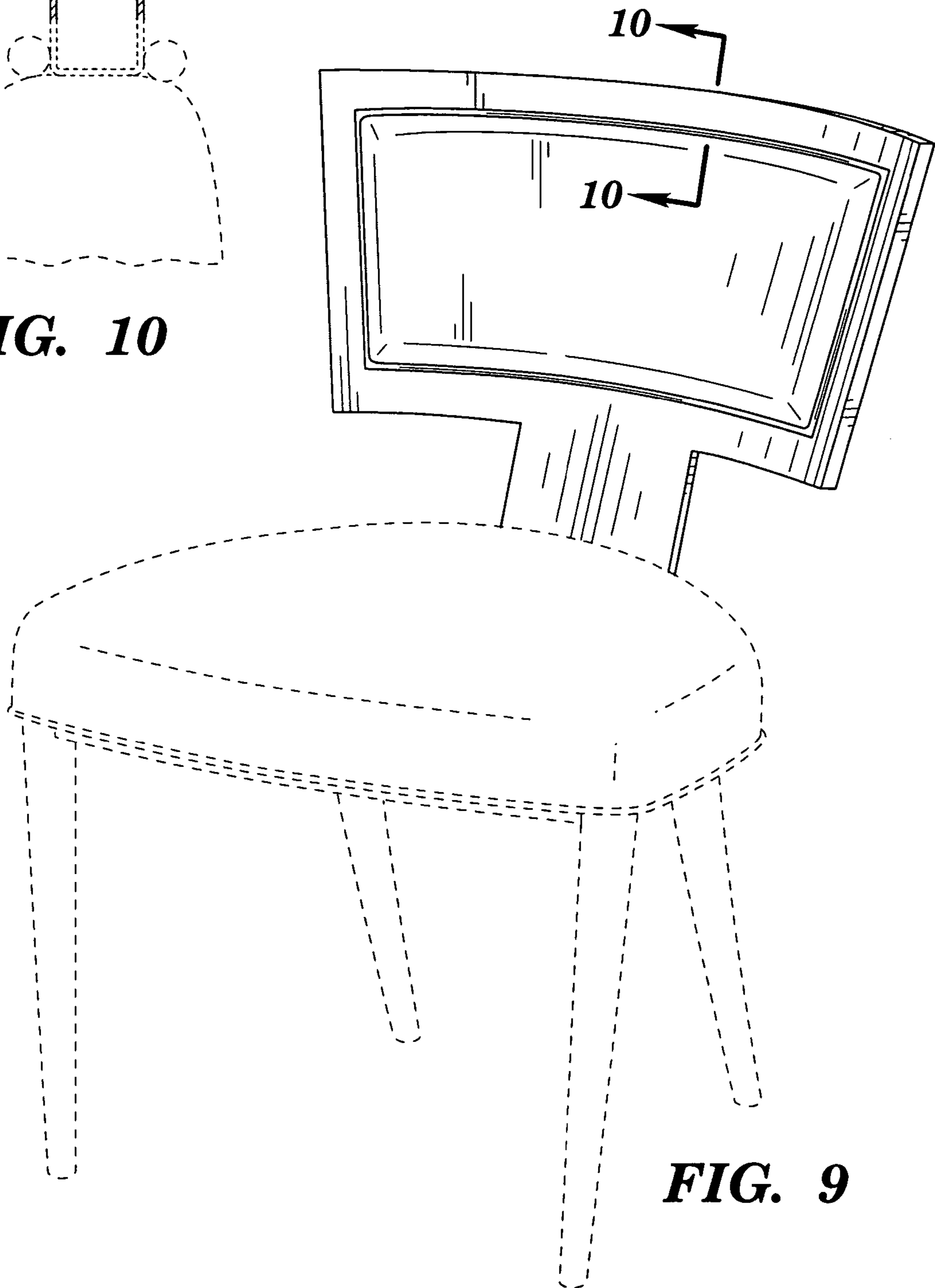


FIG. 9