



US00D610843S

(12) **United States Design Patent**
Ballendat

(10) **Patent No.:** **US D610,843 S**
(45) **Date of Patent:** **** Mar. 2, 2010**

(54) **BACKREST OF A CHAIR**
(75) Inventor: **Martin Ballendat**, Simbach am Inn
(DE)
(73) Assignee: **Dauphin Entwicklungs-und
Beteiligungs GmbH**, Hersbruck (DE)
(**) Term: **14 Years**
(21) Appl. No.: **29/286,064**
(22) Filed: **Apr. 20, 2007**
(30) **Foreign Application Priority Data**
Oct. 23, 2006 (EM) 608 526

(51) **LOC (9) Cl.** **06-01**
(52) **U.S. Cl.** **D6/502**
(58) **Field of Classification Search** D6/502,
D6/358, 370, 334-336, 364-367, 500-501;
297/411.2, 411.27, 411.36, 452.29, 284.4,
297/452.3
See application file for complete search history.

(56) **References Cited**
U.S. PATENT DOCUMENTS
D487,641 S * 3/2004 James D6/366
D506,893 S * 7/2005 Hsien D6/502
D540,079 S * 4/2007 Bock D6/502

D543,385 S * 5/2007 Loew et al. D6/500
D543,397 S * 5/2007 Loew et al. D6/502
D553,376 S * 10/2007 Nakamura et al. D6/366
D556,481 S * 12/2007 Harley D6/502
7,360,835 B2 * 4/2008 Tubergen et al. 297/284.11
2004/0245839 A1 * 12/2004 Bodnar et al. 297/452.63

* cited by examiner

Primary Examiner—Elizabeth A Albert
Assistant Examiner—Kelley A Donnelly
(74) *Attorney, Agent, or Firm*—Browdy and Neimark,
P.L.L.C.

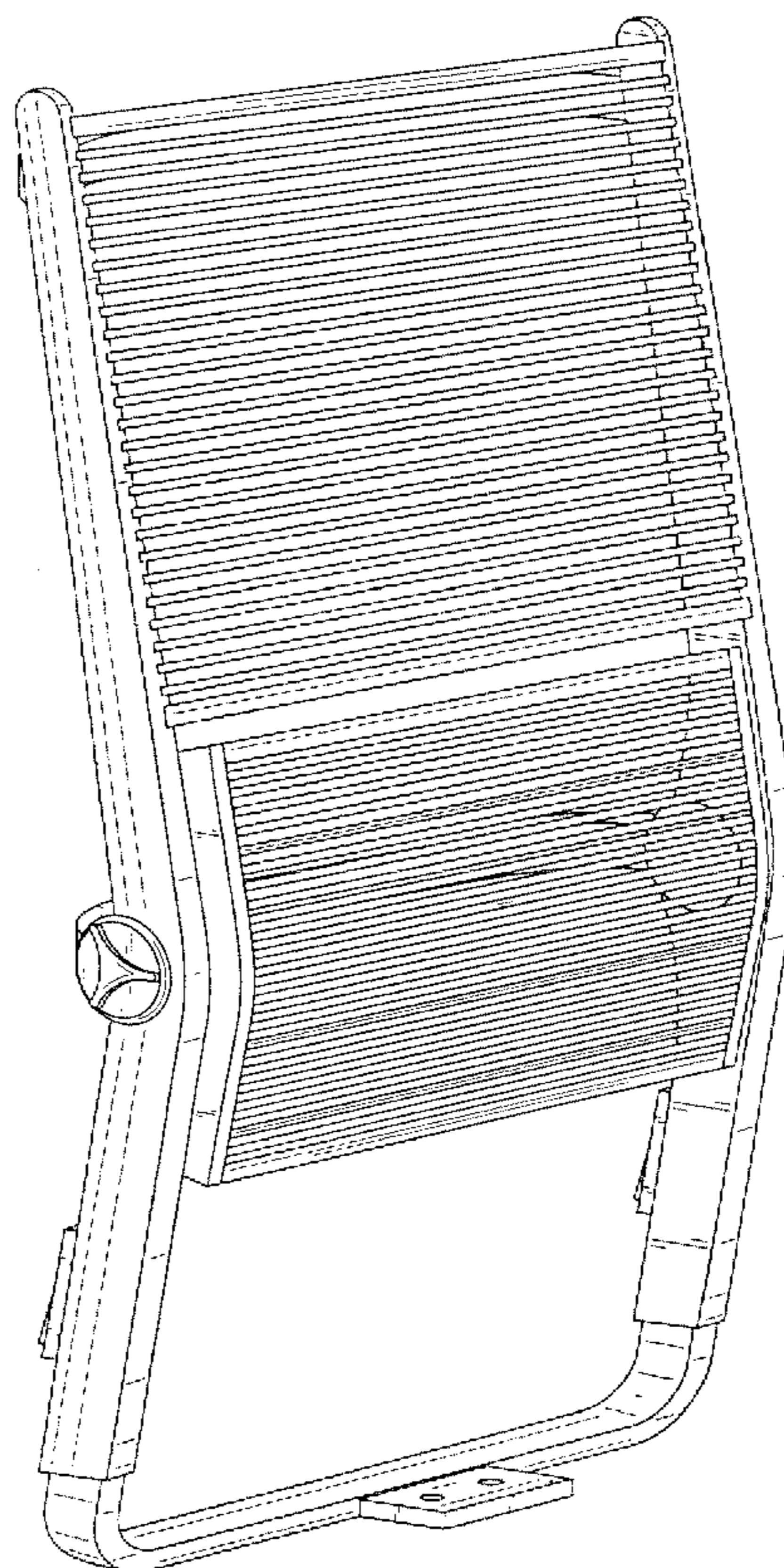
(57) **CLAIM**

The ornamental design for a backrest of a chair, substantially
as shown and described.

DESCRIPTION

FIG. 1 is a three-quarter perspective of backrest of a chair
showing my new design;
FIG. 2 is a three-quarter perspective view thereof;
FIG. 3 is a right side view thereof;
FIG. 4 is a front view thereof;
FIG. 5 is a rear view thereof;
FIG. 6 is a top view thereof; and,
FIG. 7 is a bottom view thereof.

1 Claim, 6 Drawing Sheets



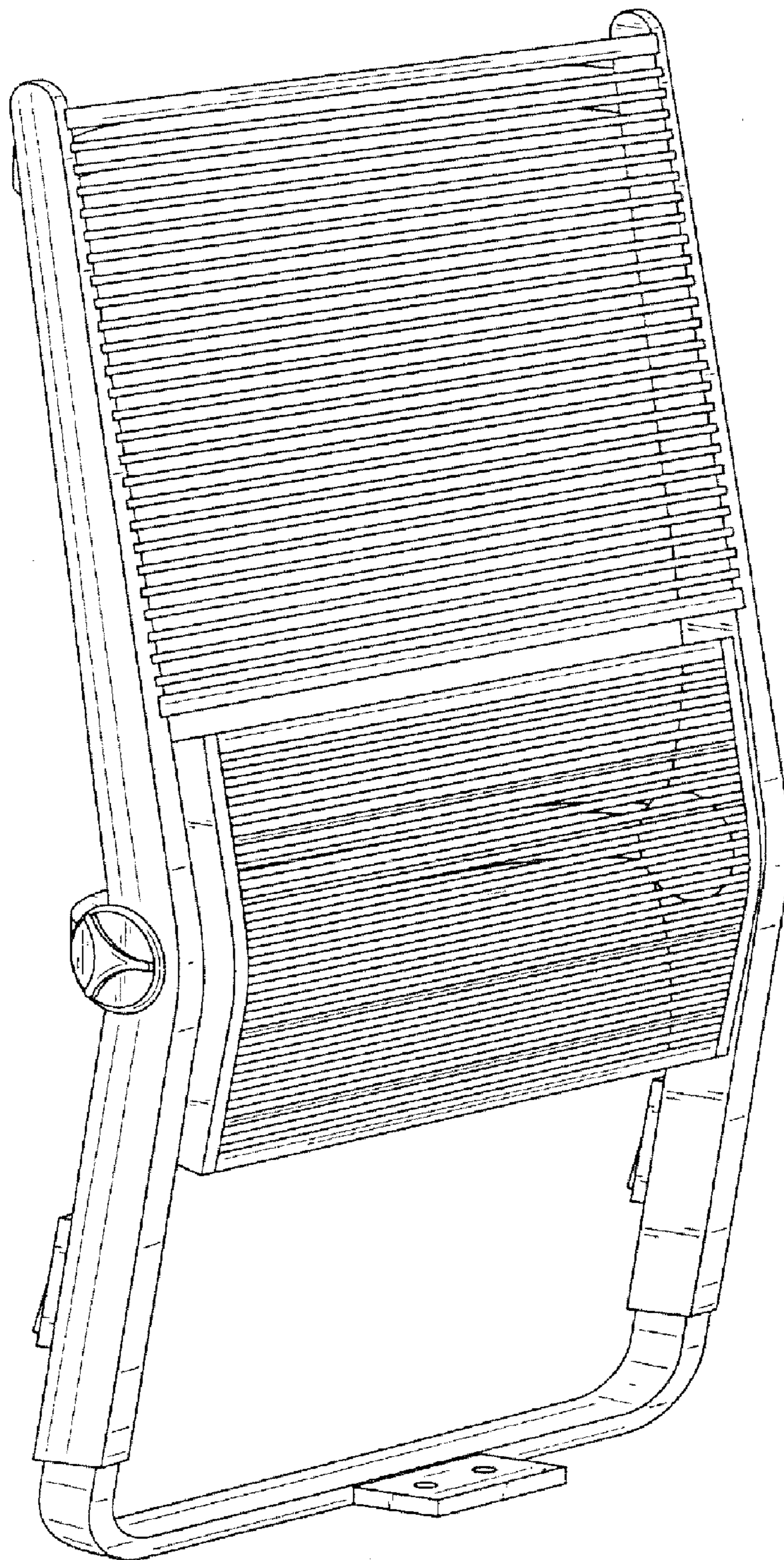


FIG. 1

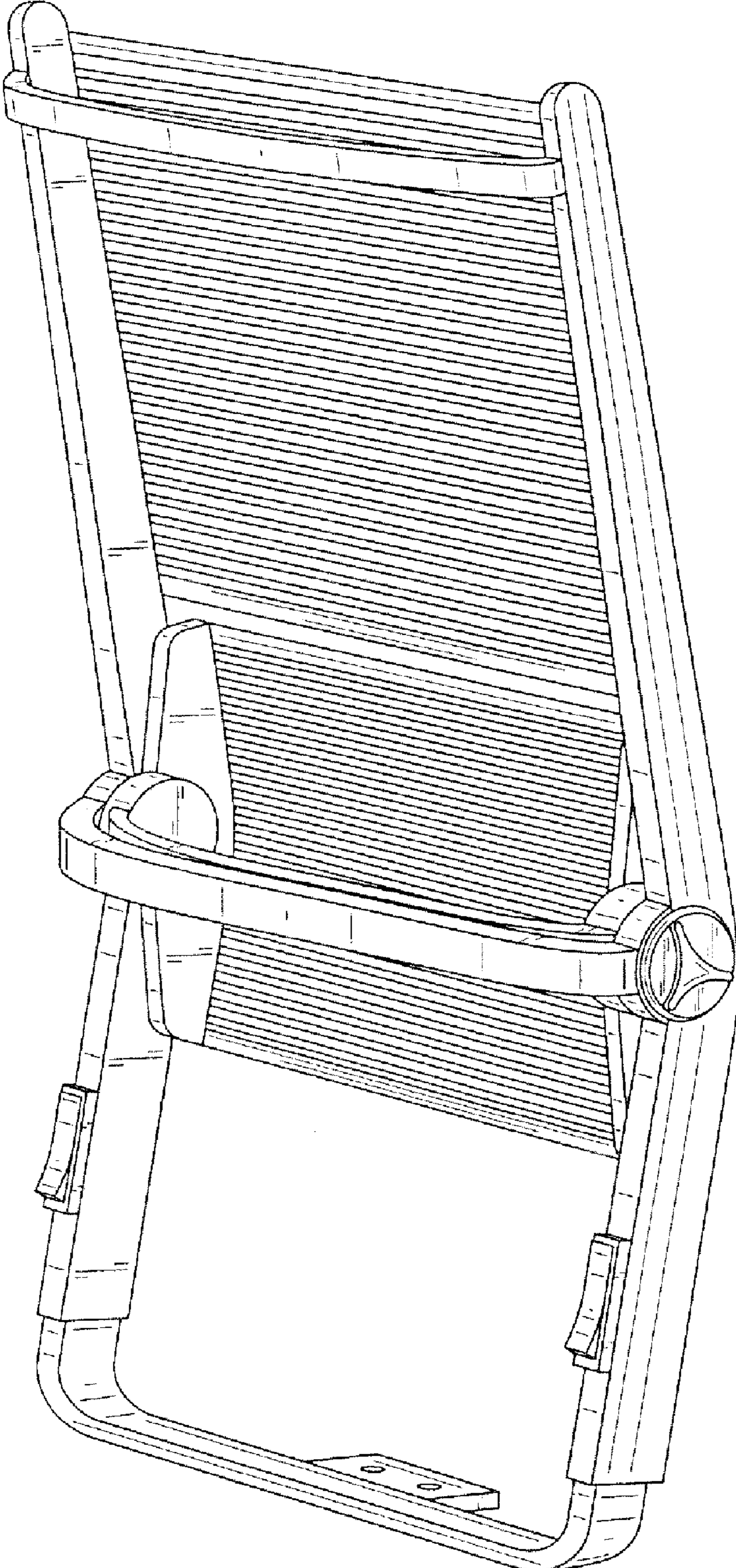


FIG. 2

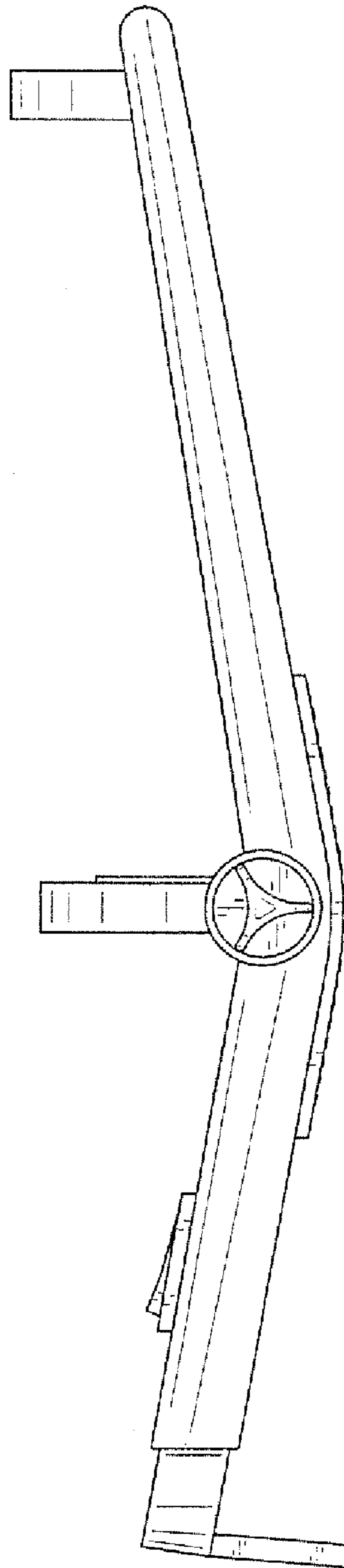


FIG. 3

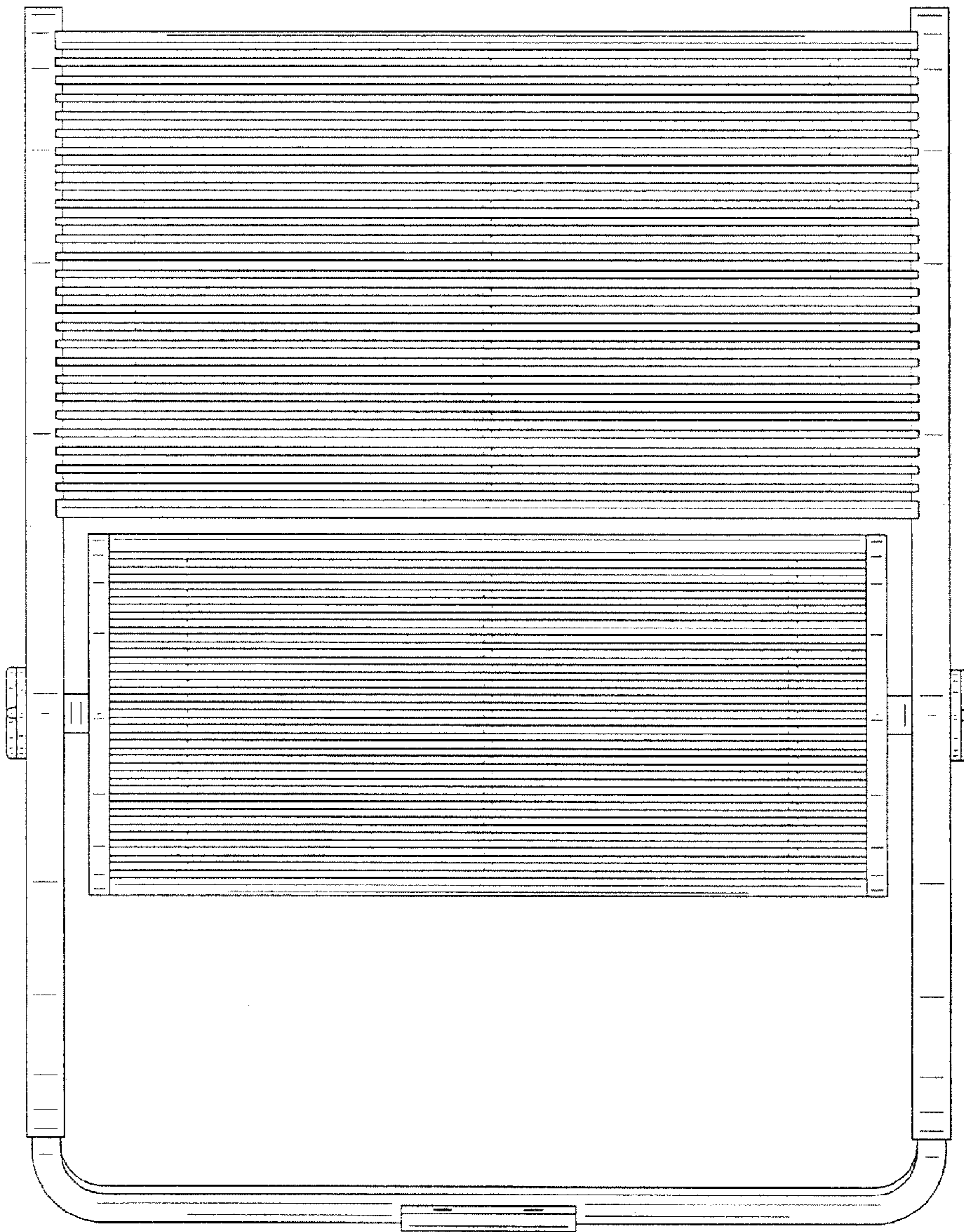


FIG. 4

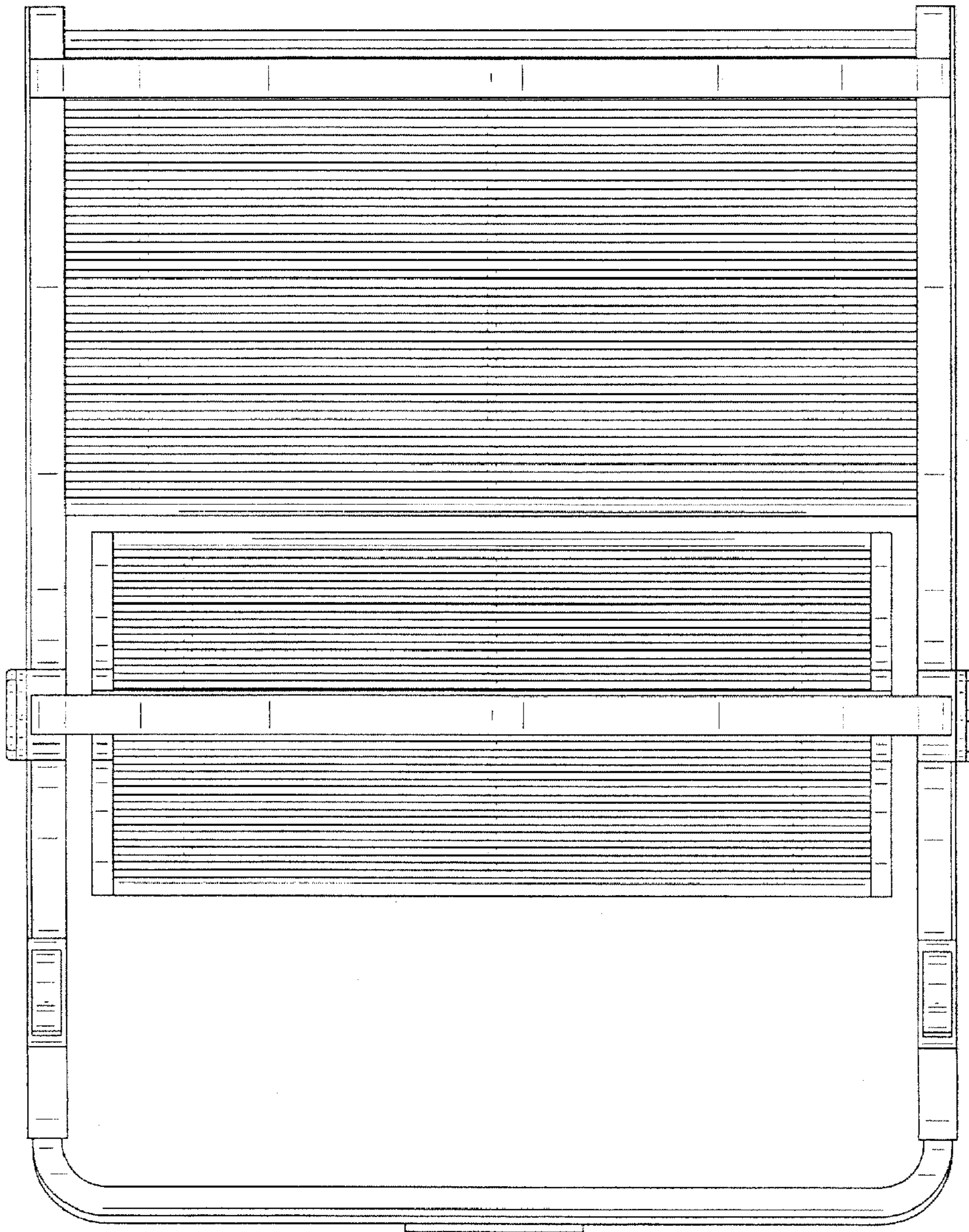


FIG. 5

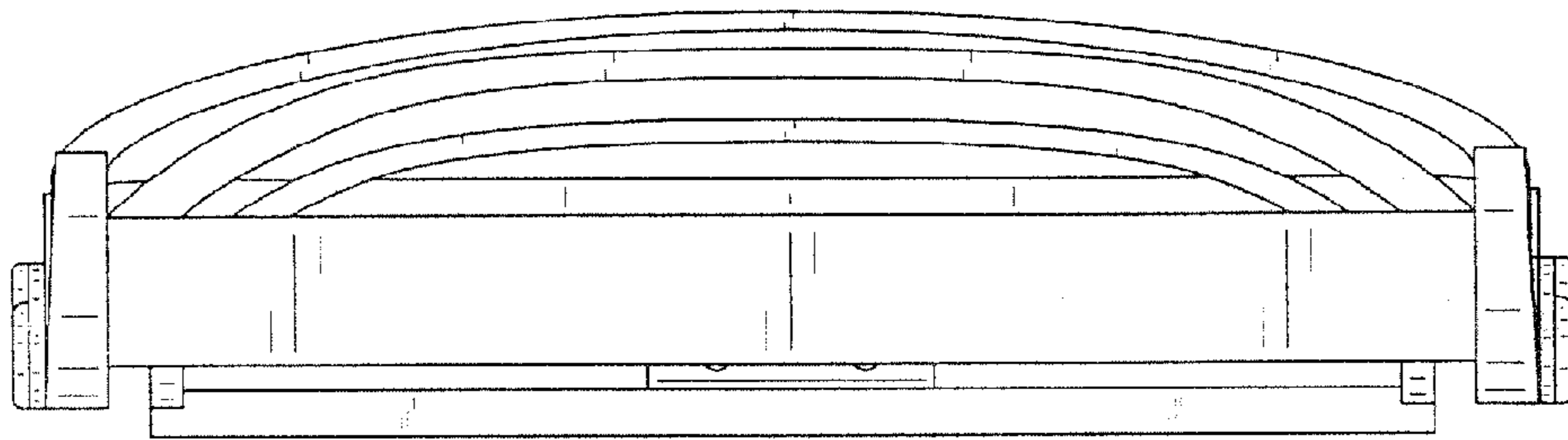


FIG. 6

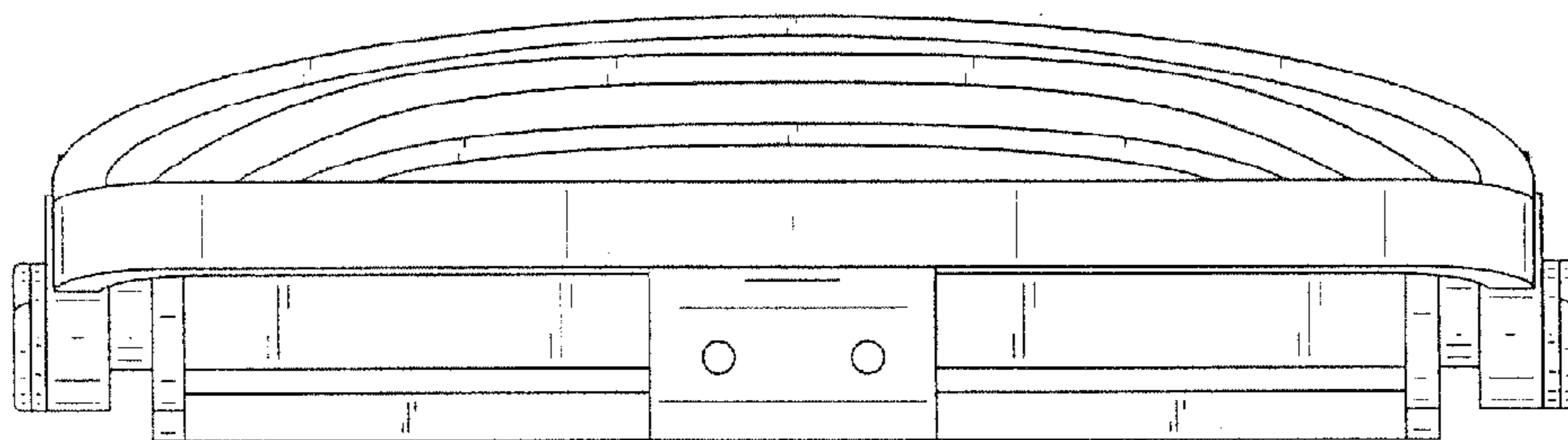


FIG. 7