



US00D610841S

(12) **United States Design Patent**
Kato et al.

(10) **Patent No.:** **US D610,841 S**
(45) **Date of Patent:** **** Mar. 2, 2010**

(54) **DESK**

D526,812 S * 8/2006 Chen D6/425
D539,059 S * 3/2007 Vander Park D6/84
D539,568 S * 4/2007 Vander Park D6/484

(75) Inventors: **Yoshimasa Kato**, Osaka (JP); **Takuya Kitamura**, Osaka (JP); **Yojiro Kinoshita**, Osaka (JP); **Hiromi Iwamuro**, Osaka (JP); **Hisashi Ejima**, Osaka (JP)

* cited by examiner

Primary Examiner—Janice E Seeger
(74) *Attorney, Agent, or Firm*—Dennis R. Haszko; Eaton Peabody Patent Group, LLC

(73) Assignee: **Kokuyo Co., Ltd.**, Osaka (JP)

(**) Term: **14 Years**

(57) **CLAIM**

(21) Appl. No.: **29/321,350**

The ornamental design for a desk, is shown and described.

(22) Filed: **Jul. 15, 2008**

DESCRIPTION

(30) **Foreign Application Priority Data**

Jan. 15, 2008 (JP) 2008-000593

FIG. 1 is a front perspective view of the desk showing the design;

(51) **LOC (9) Cl.** **06-03**

FIG. 2 is a front elevation view thereof;

(52) **U.S. Cl.** **D6/484**

FIG. 3 is a sectional view taken along the section line 3—3 of FIG. 2;

(58) **Field of Classification Search** D6/480–489,
D6/495–499, 439–431, 422, 423, 425, 427,
D6/428, 477–479; 108/150, 153.1, 155,
108/156, 161, 115, 118, 131, 129, 132, 120,
108/50.01, 50.02, 152; 248/188, 188.1, 188.8;
312/194, 195

FIG. 4 is a sectional view taken along the section line 4—4 of FIG. 2;

See application file for complete search history.

FIG. 5 is a rear elevation view thereof;

FIG. 6 is a top plan view thereof;

FIG. 7 is a bottom plan view thereof;

FIG. 8 is a right elevation view thereof, the left elevation view being a mirror image in a standard configuration;

(56) **References Cited**

U.S. PATENT DOCUMENTS

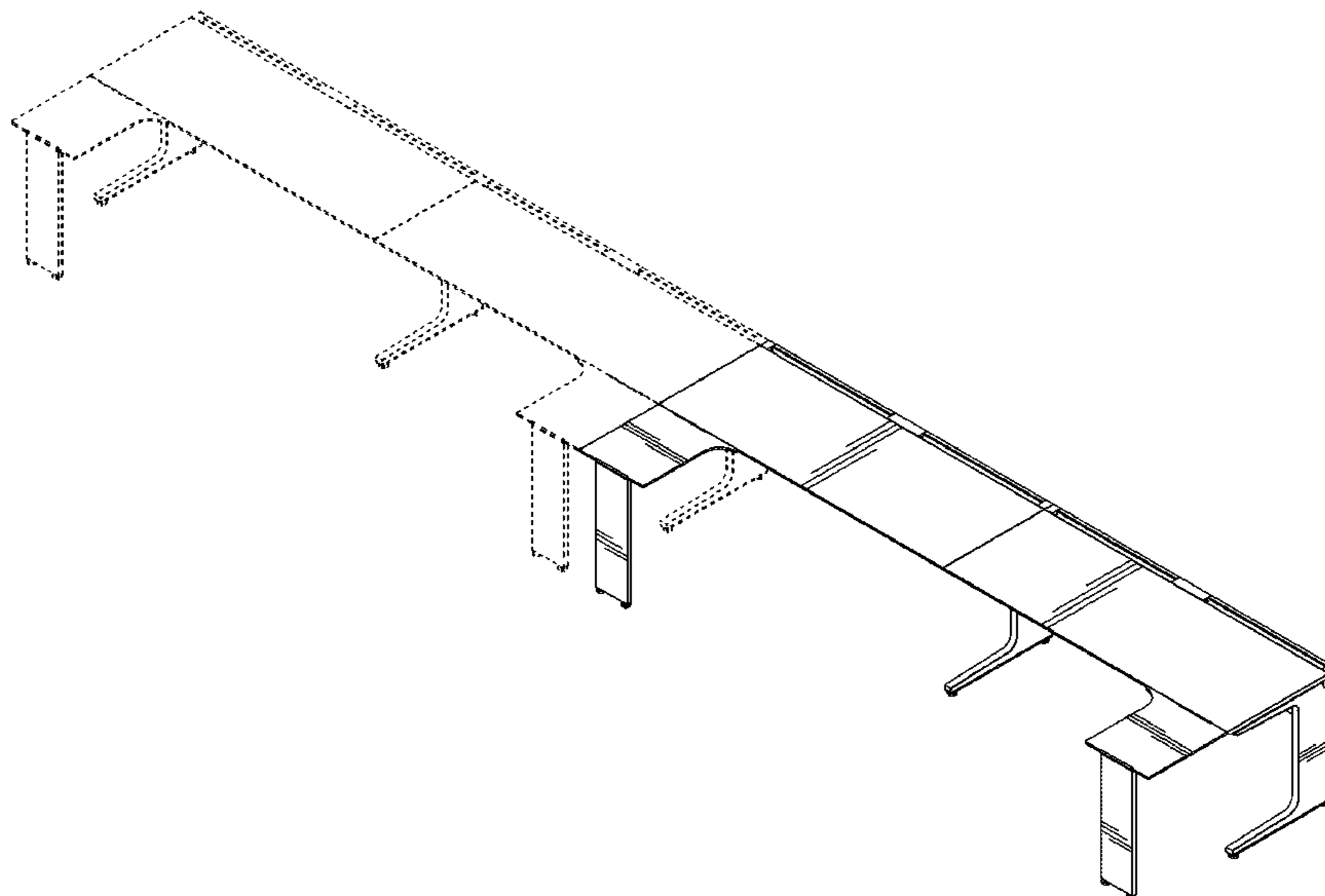
D183,361 S * 8/1958 McCarthy D6/426
3,366,431 A * 1/1968 Hanson 312/208.1
D225,046 S * 11/1972 Nance D6/423
D275,352 S * 9/1984 Foyle D6/482
D294,440 S * 3/1988 Werner D6/422
D370,571 S * 6/1996 Newhouse et al. D6/429
D379,887 S * 6/1997 Muller-Deisig et al. D6/484
D399,077 S * 10/1998 Lepper et al. D6/484
D405,991 S * 2/1999 Kramer et al. D6/484

FIG. 9 is a top plan view showing the desk in a modified arrangement, in which the side table is in an alternate position to that shown in FIGS. 1 to 8; and,

FIG. 10 is a top elevation view showing the desk in a modified arrangement, in which the side table is in an alternate position to that shown in FIGS. 1 to 8.

The broken lines are for environmental purposes only and form no part of the claimed design.

1 Claim, 8 Drawing Sheets



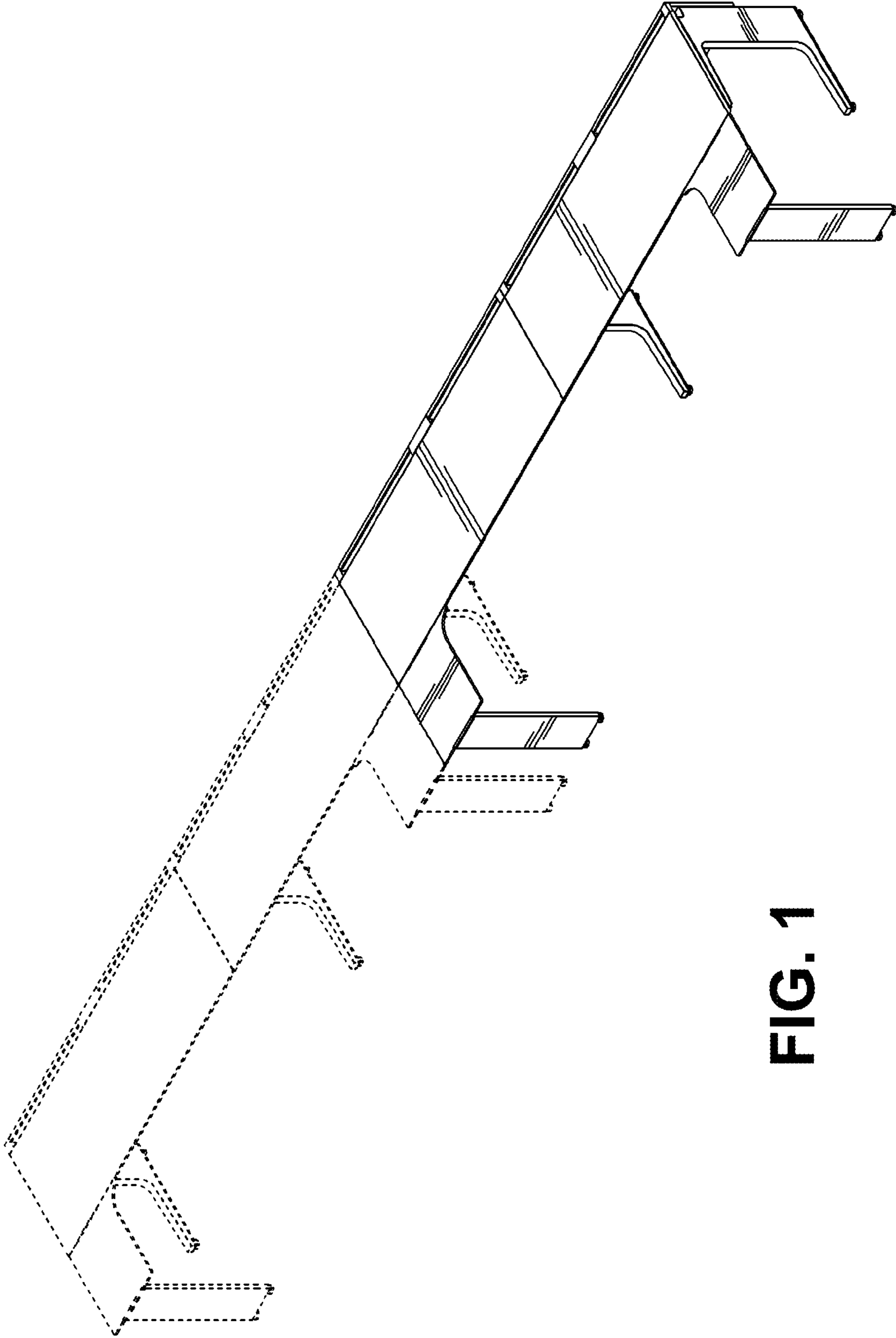


FIG. 1

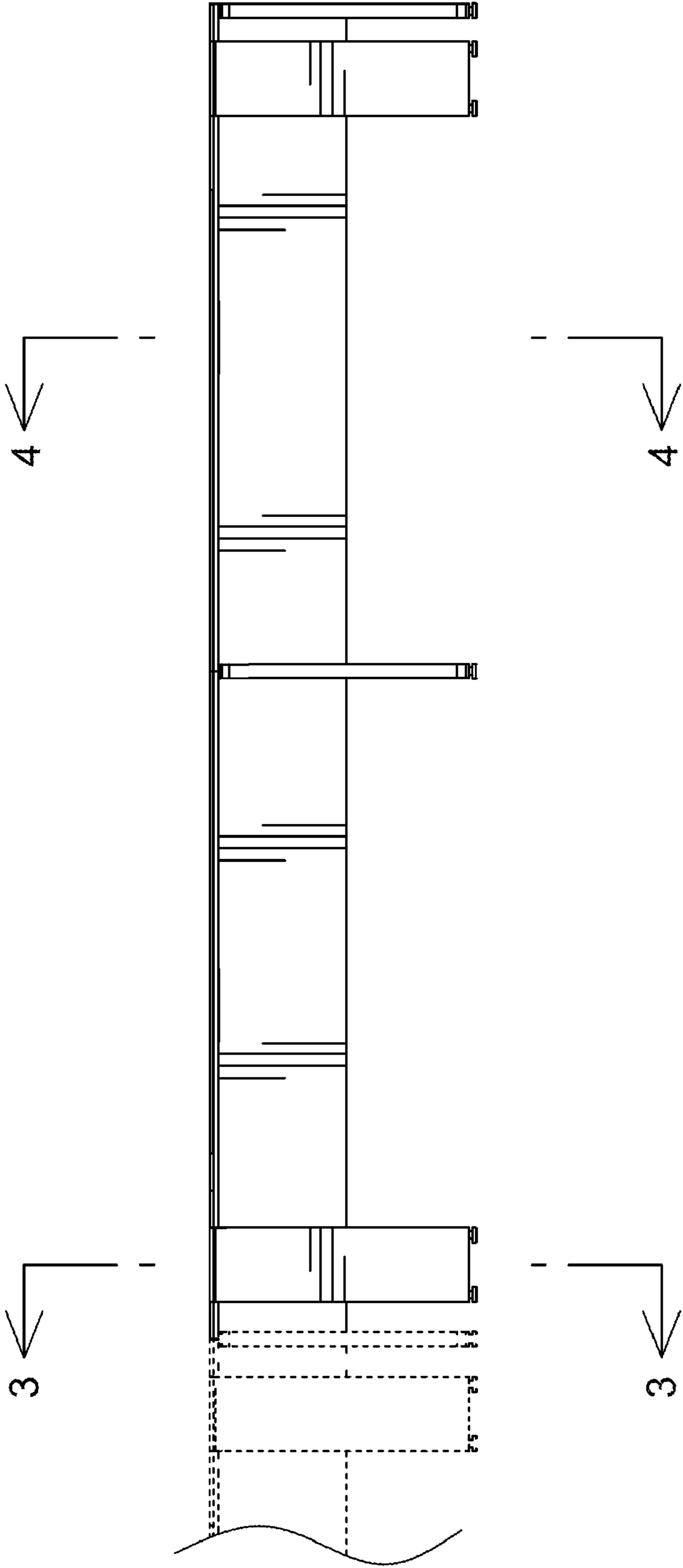


FIG. 2

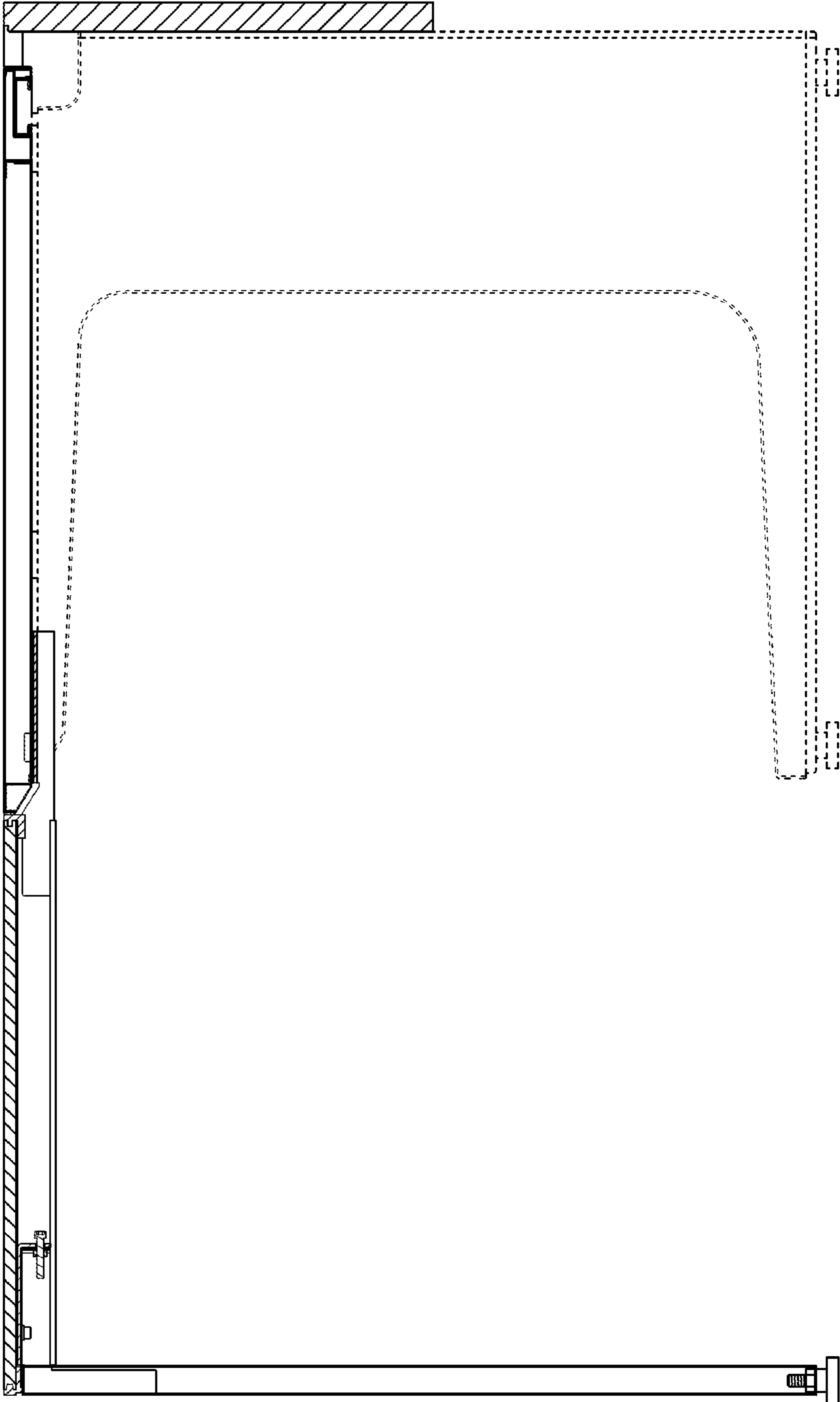


FIG. 3

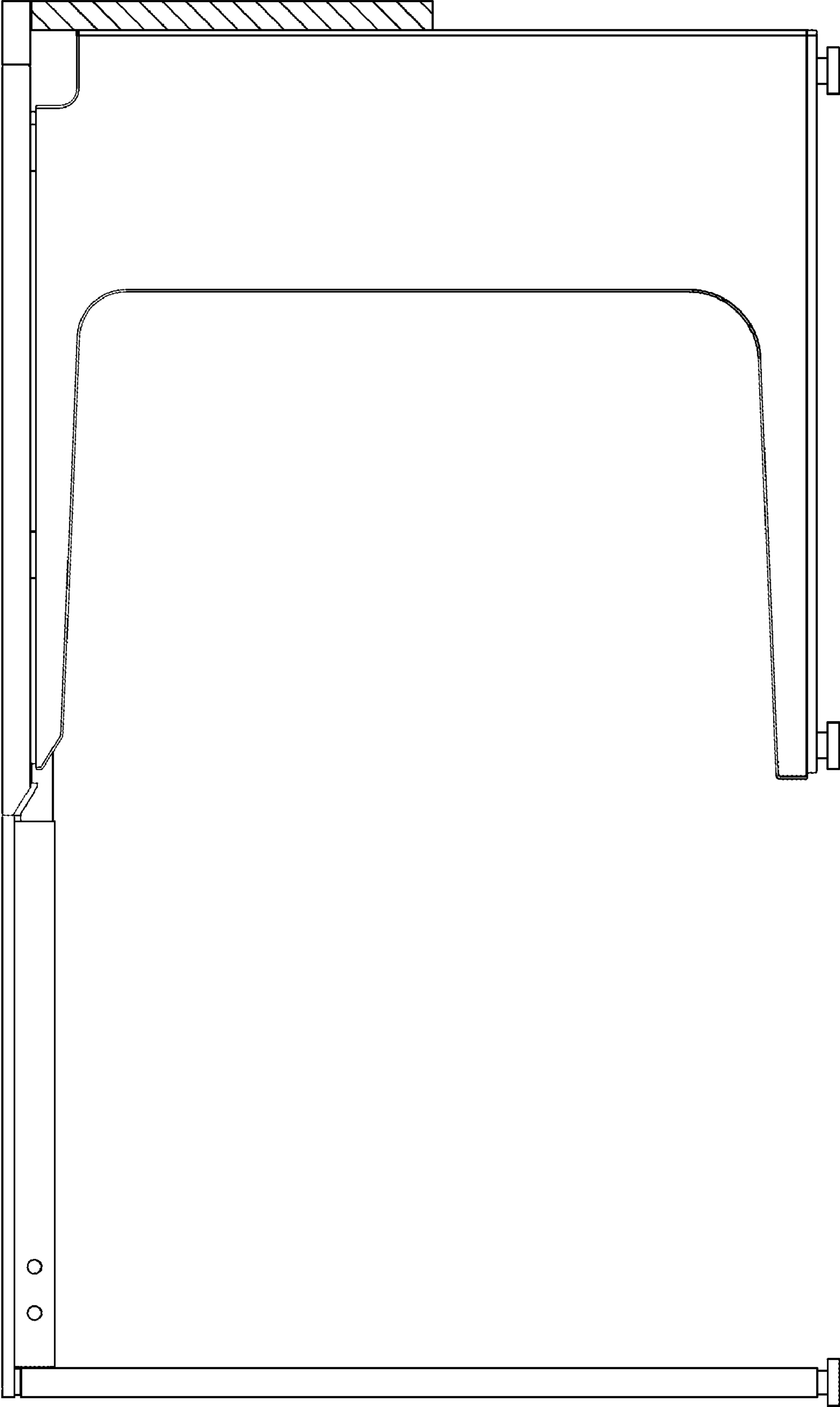


FIG. 4

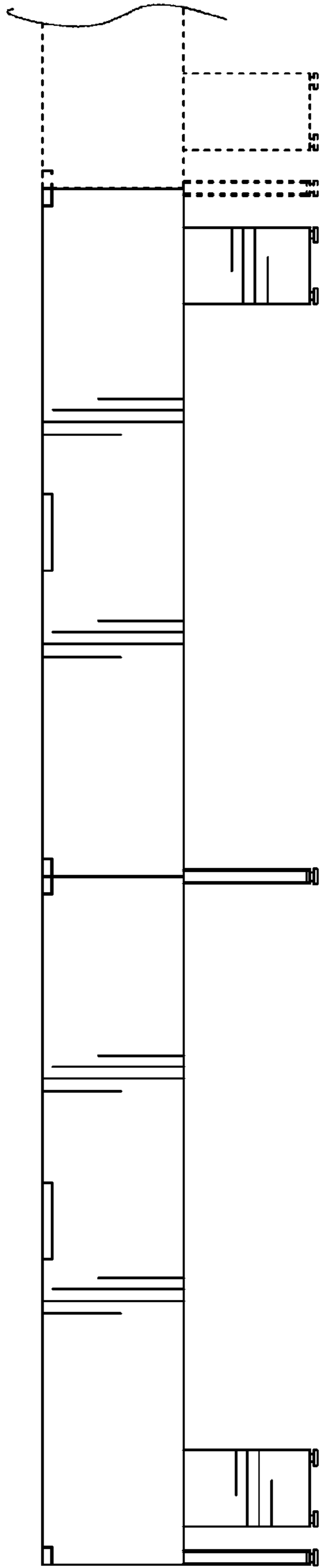


FIG. 5

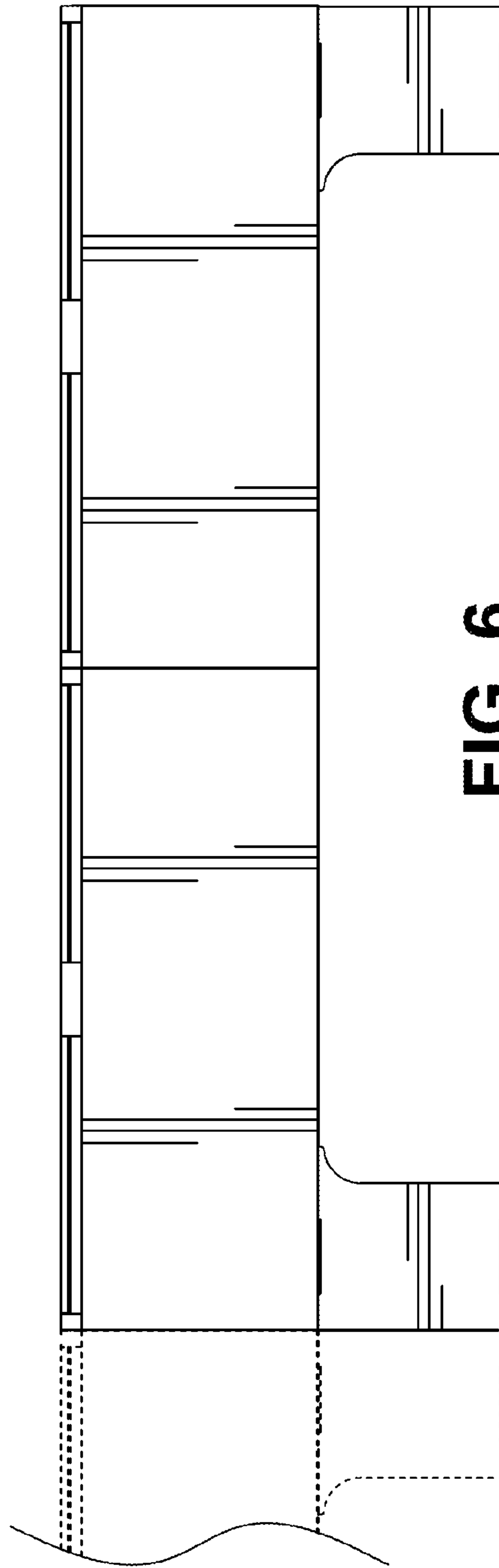


FIG. 6

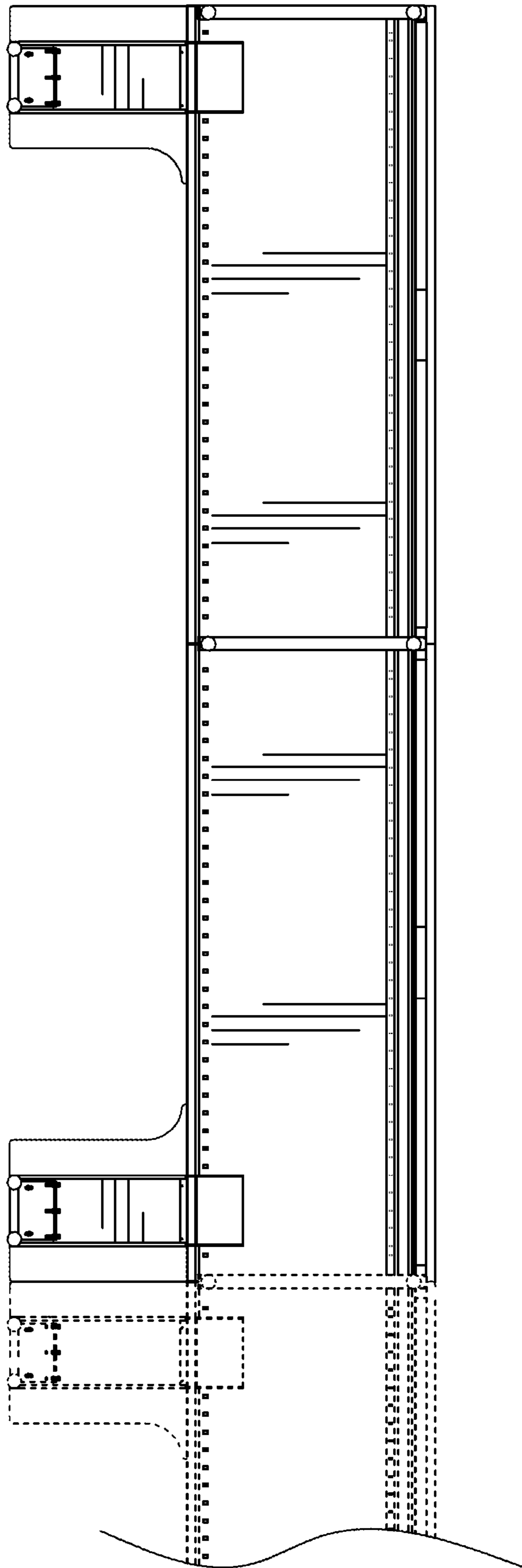


FIG. 7

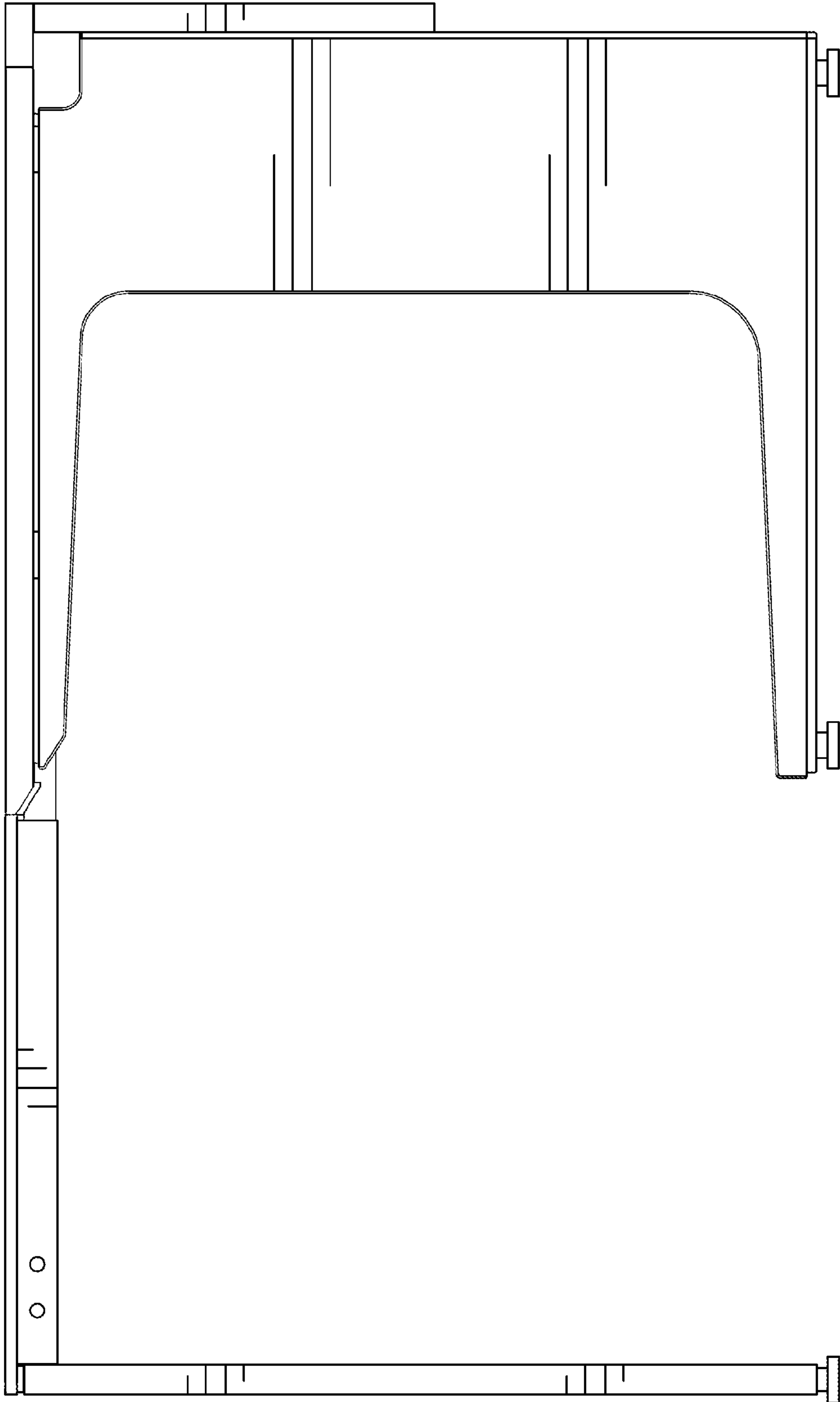


FIG. 8

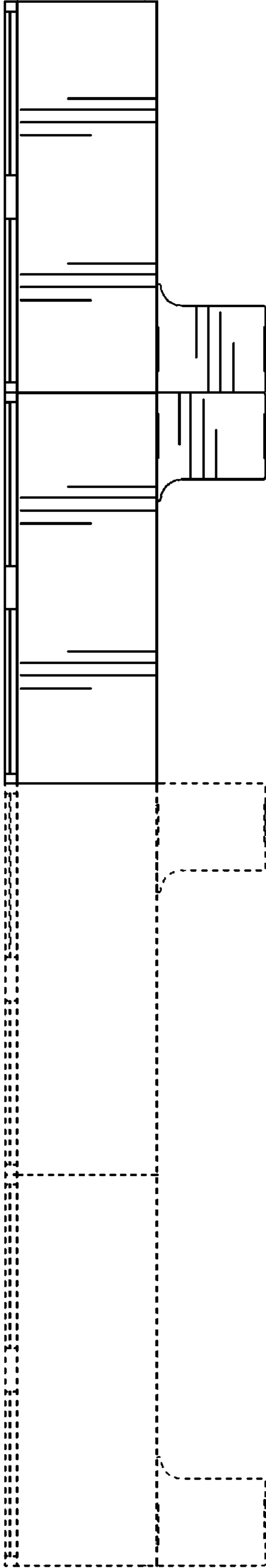


FIG. 9

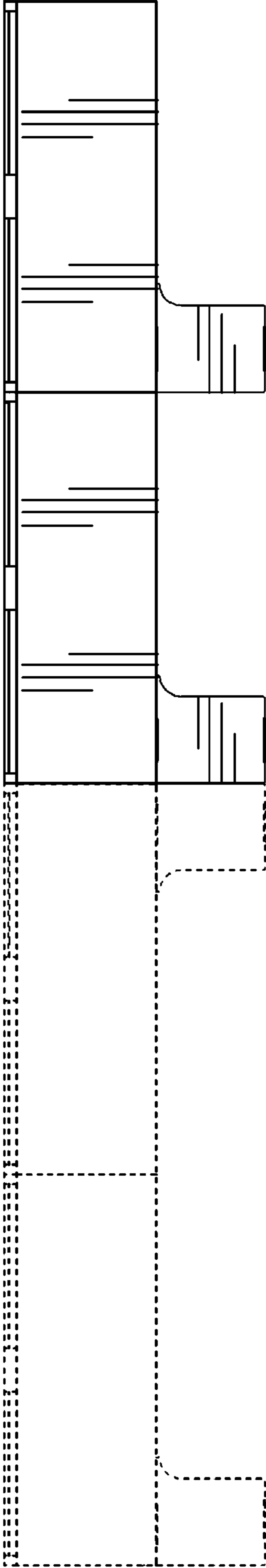


FIG. 10