



US00D610840S

(12) **United States Design Patent**  
**Kato et al.**

(10) **Patent No.:** **US D610,840 S**  
(45) **Date of Patent:** **\*\* Mar. 2, 2010**

(54) **DESK**

(75) Inventors: **Yoshimasa Kato**, Osaka (JP); **Takuya Kitamura**, Osaka (JP); **Yojiro Kinoshita**, Osaka (JP); **Hiromi Iwamuro**, Osaka (JP); **Hisashi Ejima**, Osaka (JP)

(73) Assignee: **Kokuyo Co., Ltd.**, Osaka (JP)

(\*\*) Term: **14 Years**

(21) Appl. No.: **29/321,347**

(22) Filed: **Jul. 15, 2008**

(30) **Foreign Application Priority Data**

Jan. 15, 2008 (JP) ..... 2008-000602

(51) **LOC (9) Cl.** ..... **06-03**

(52) **U.S. Cl.** ..... **D6/484**

(58) **Field of Classification Search** ..... D6/480-489,  
D6/495-499, 439-431, 422, 423, 425, 427,  
D6/428, 477-479; 108/150, 153.1, 155,  
108/156, 161, 115, 118, 131, 129, 132, 120,  
108/50.01, 50.02, 152; 248/188, 188.1, 188.8;  
312/194, 195

See application file for complete search history.

(56) **References Cited**

**U.S. PATENT DOCUMENTS**

D183,361 S *	8/1958	McCarthy	.....	D6/426
3,366,431 A *	1/1968	Hanson	.....	312/208.1
D225,046 S *	11/1972	Nance	.....	D6/423
D275,352 S *	9/1984	Foyle	.....	D6/482
D294,440 S *	3/1988	Werner	.....	D6/422
D370,571 S *	6/1996	Newhouse et al.	.....	D6/429
D379,887 S *	6/1997	Muller-Deisig et al.	.....	D6/484
D399,077 S *	10/1998	Lepper et al.	.....	D6/484

D405,991 S *	2/1999	Kramer et al.	.....	D6/484
D526,812 S *	8/2006	Chen	.....	D6/425
D539,059 S *	3/2007	Vander Park	.....	D6/484
D539,568 S *	4/2007	Vander Park	.....	D6/484

\* cited by examiner

*Primary Examiner*—Janice E Seeger

(74) *Attorney, Agent, or Firm*—Dennis R. Haszko; Eaton Peabody Patent Group, LLC

(57) **CLAIM**

The ornamental design for a desk, as shown and described.

**DESCRIPTION**

FIG. 1 is a front perspective view of the desk showing the design;

FIG. 2 is a front elevation view thereof, the rear elevation view being a mirror image;

FIG. 3 is a sectional view taken along the section line 3—3 of FIG. 2;

FIG. 4 is a sectional view taken along the section line 4—4 of FIG. 2;

FIG. 5 is a top plan view thereof;

FIG. 6 is a bottom plan view thereof;

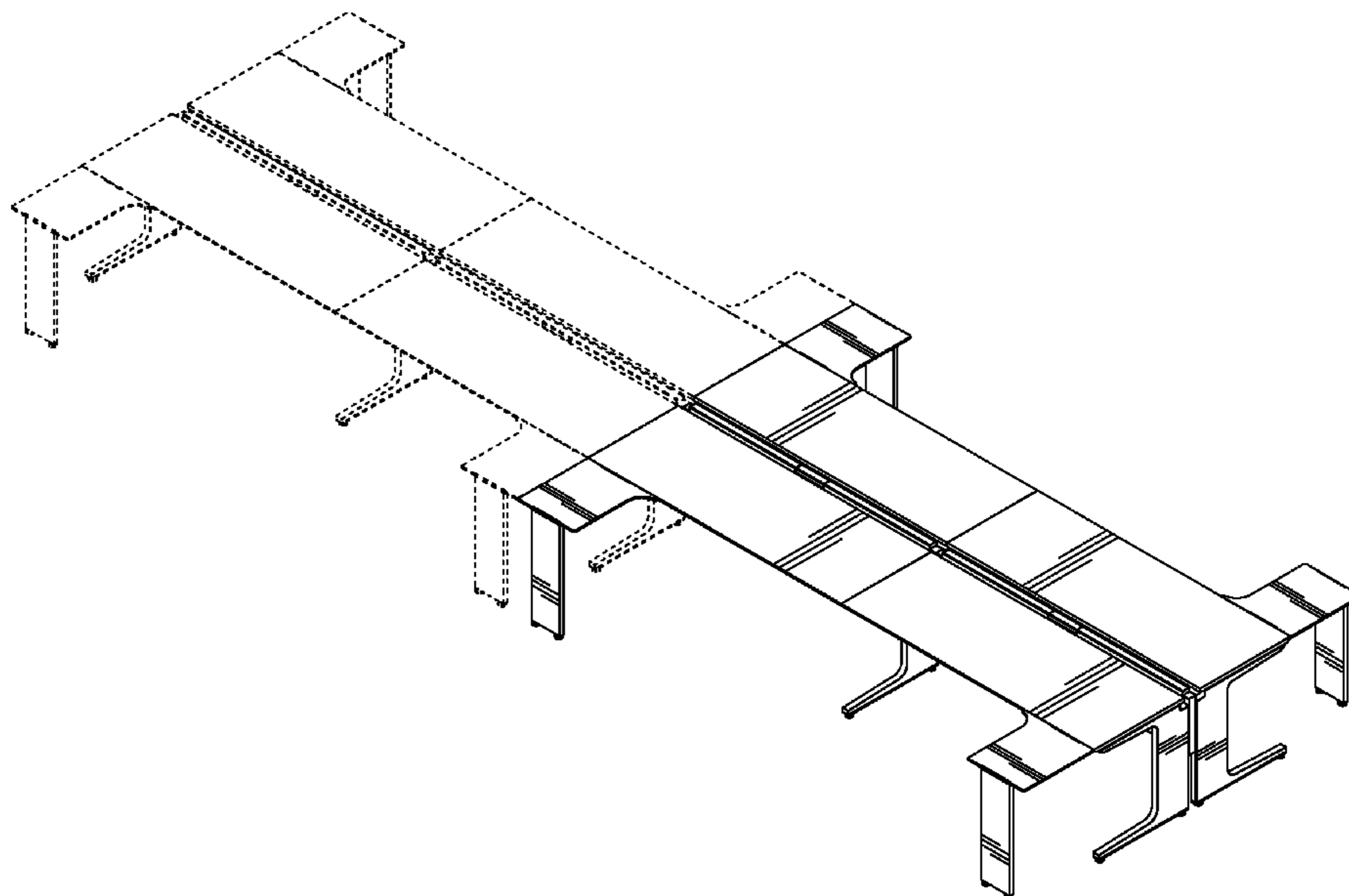
FIG. 7 is a right elevation view thereof, the left elevation view being a mirror image in a standard configuration;

FIG. 8 is a top plan view showing the desk in a modified arrangement, in which the side table is in an alternate position to that shown in FIGS. 1 to 7; and,

FIG. 9 is a top plan view showing the desk in a modified arrangement in which the side table is in an alternate position to that shown in FIGS. 1 to 7.

The broken lines are for environmental purposes only and form no part of the claimed design.

**1 Claim, 9 Drawing Sheets**



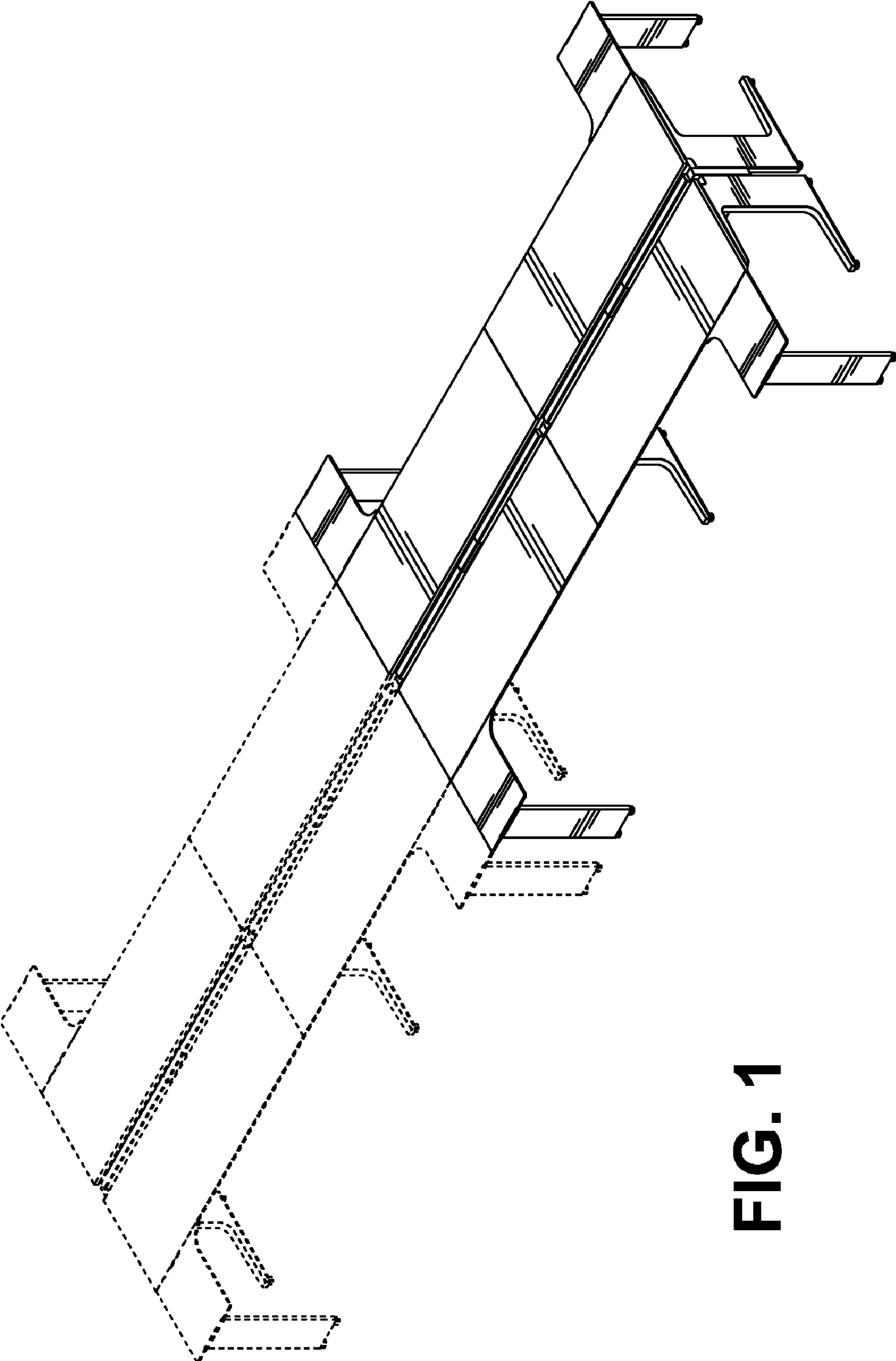
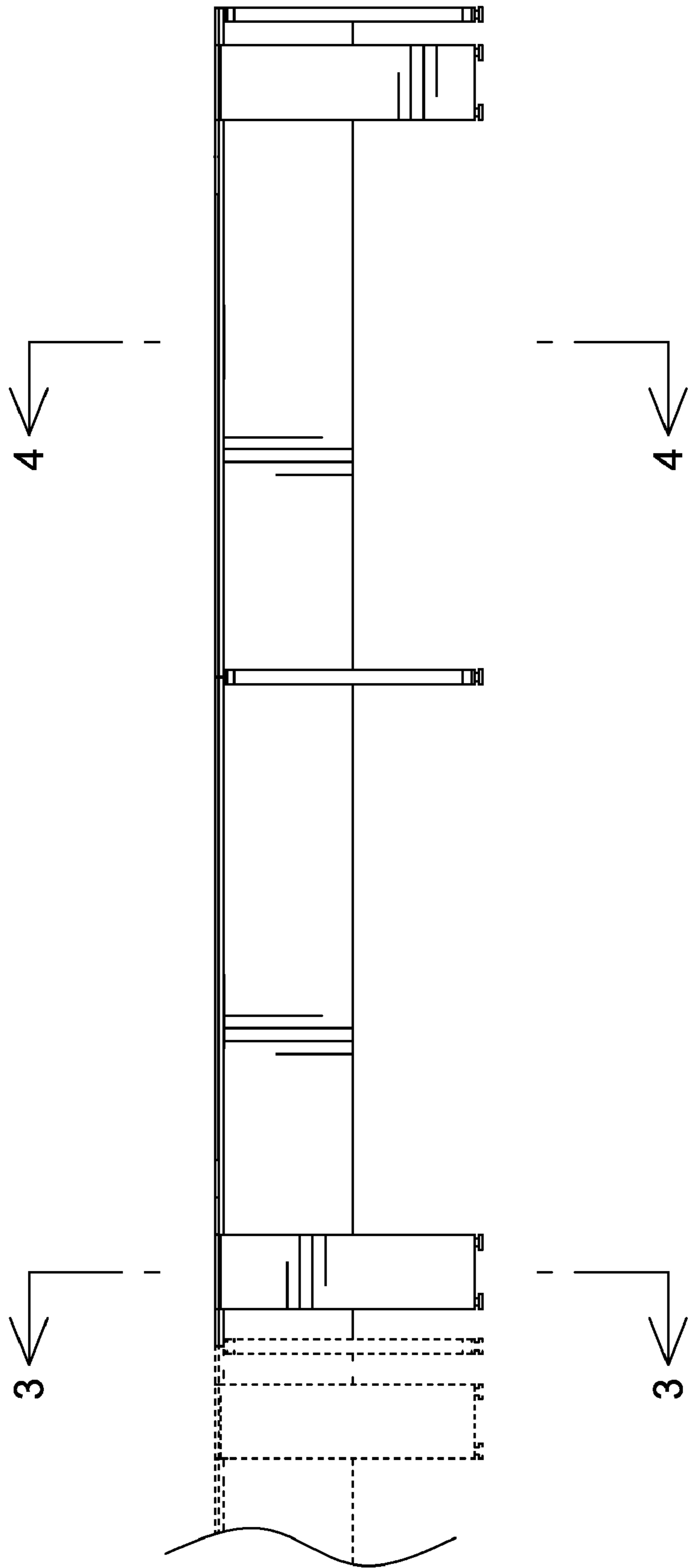


FIG. 1



**FIG. 2**

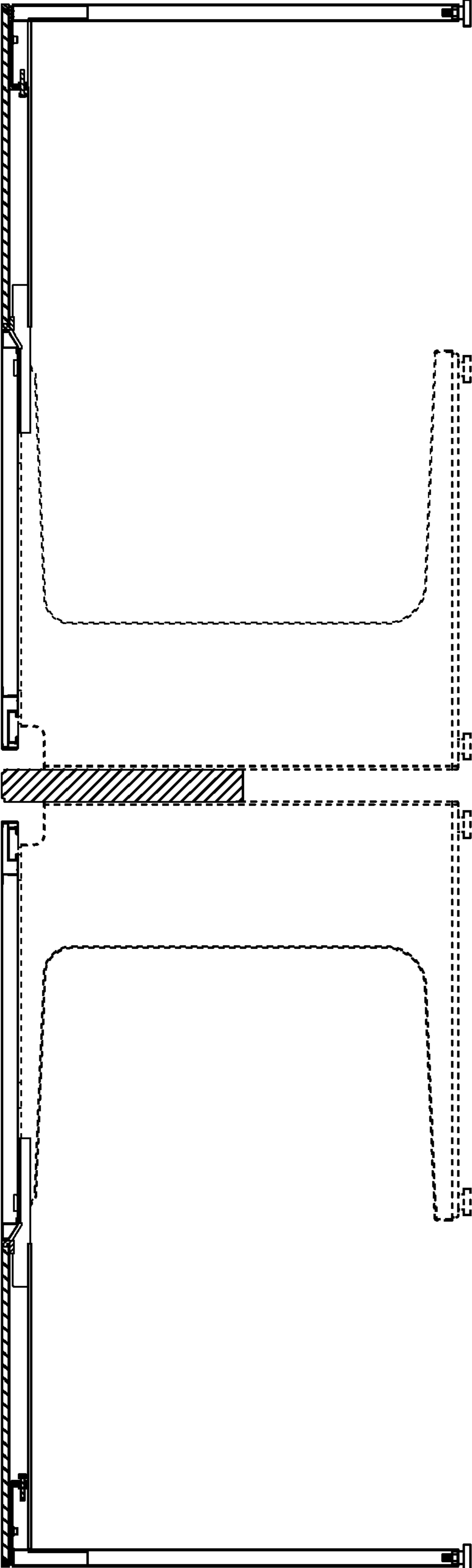


FIG. 3

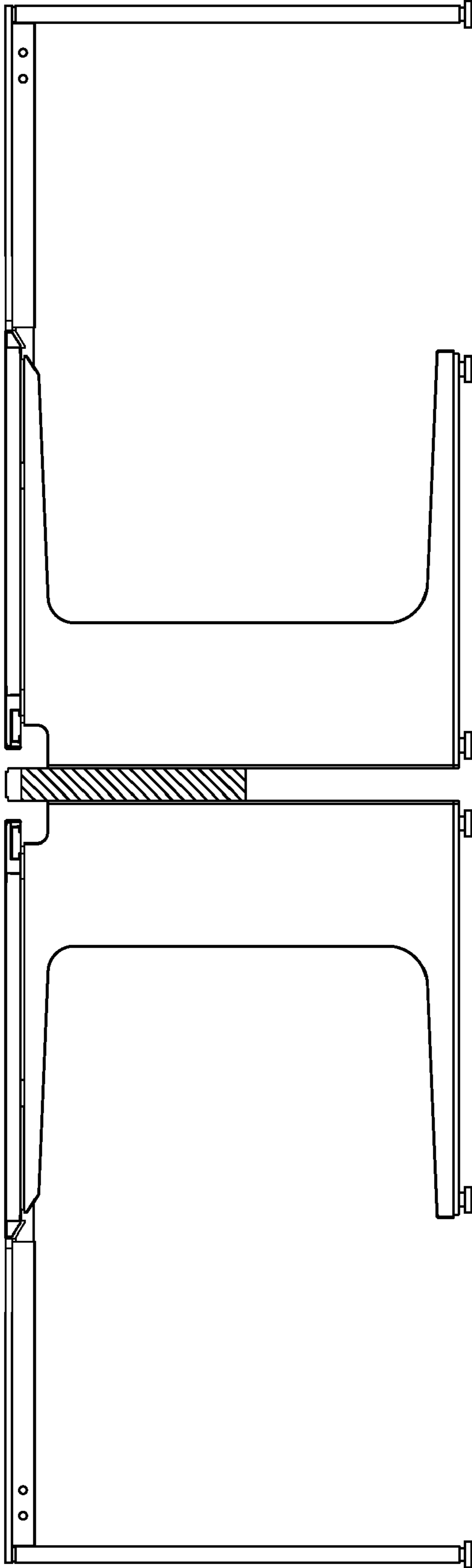


FIG. 4

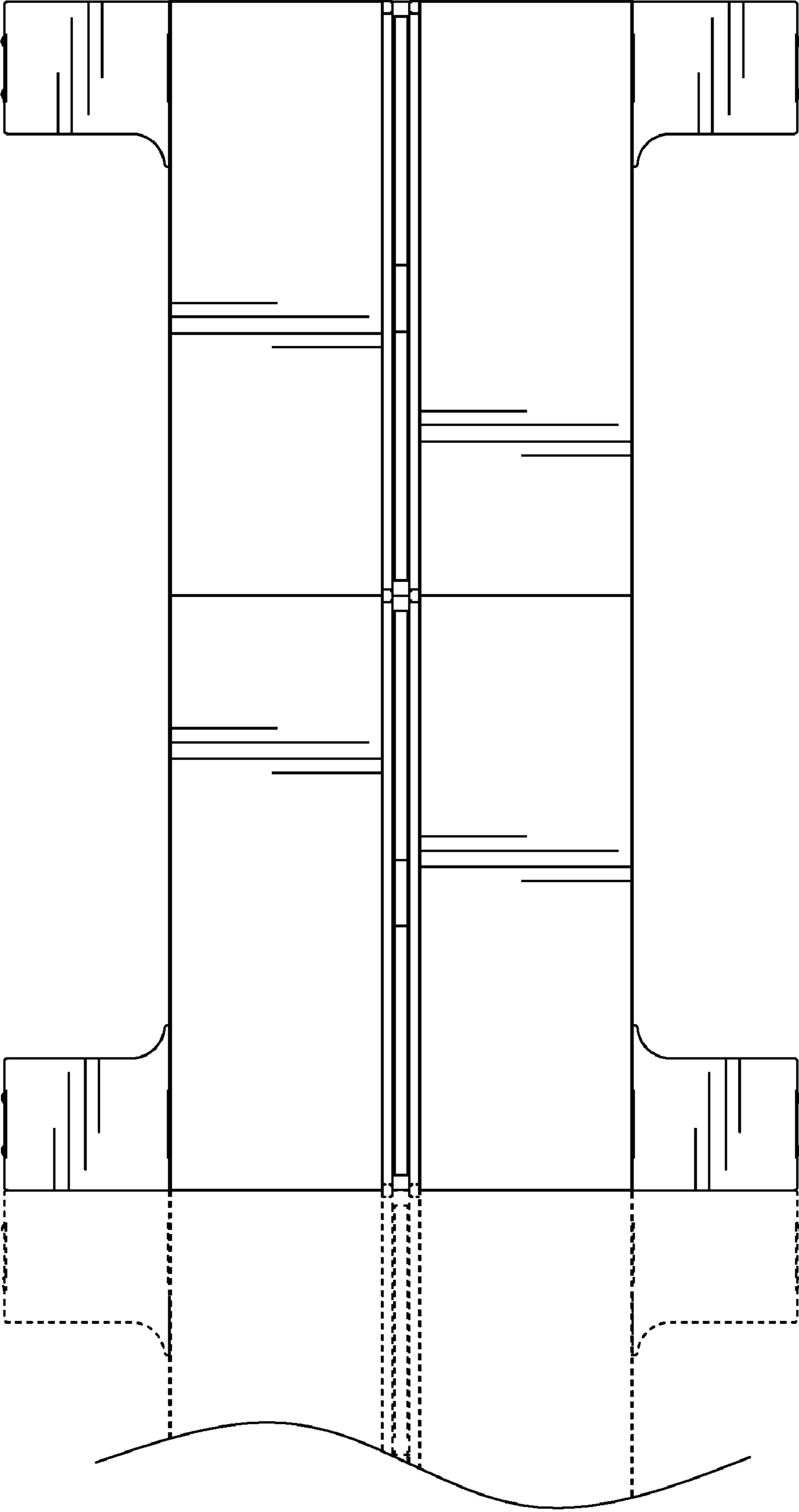


FIG. 5

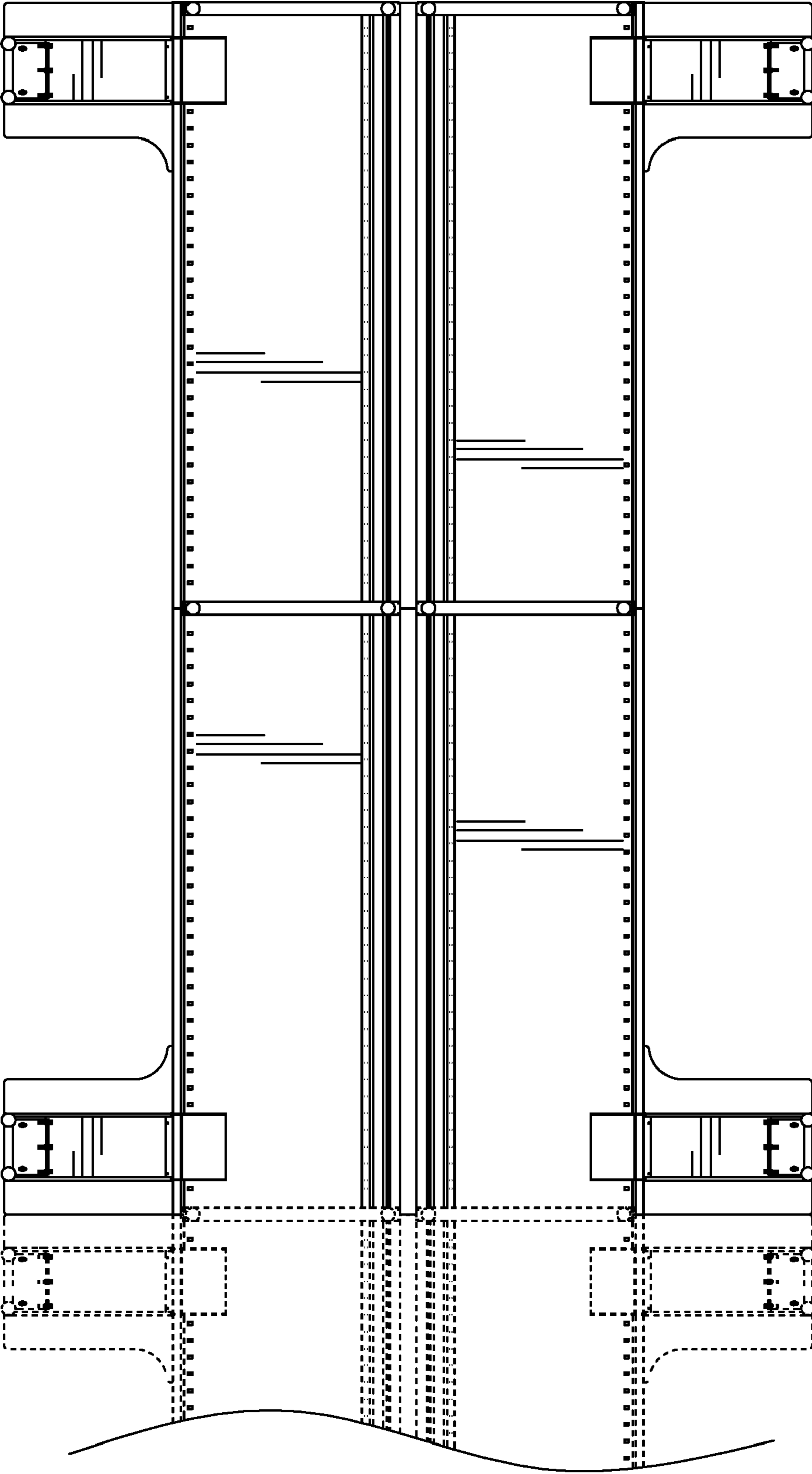


FIG. 6

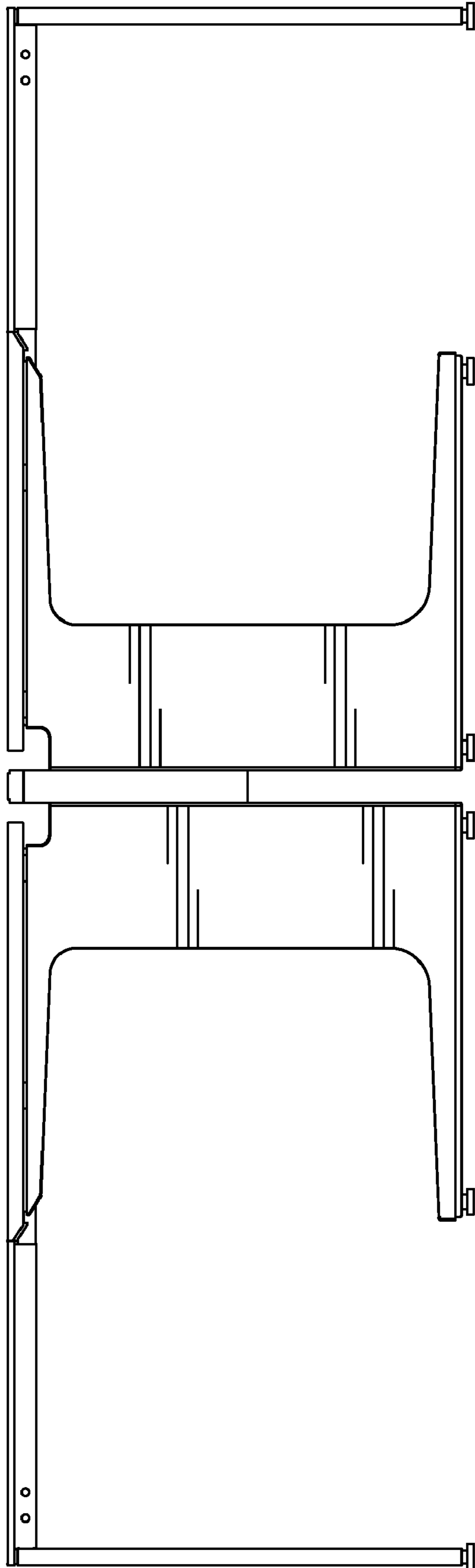
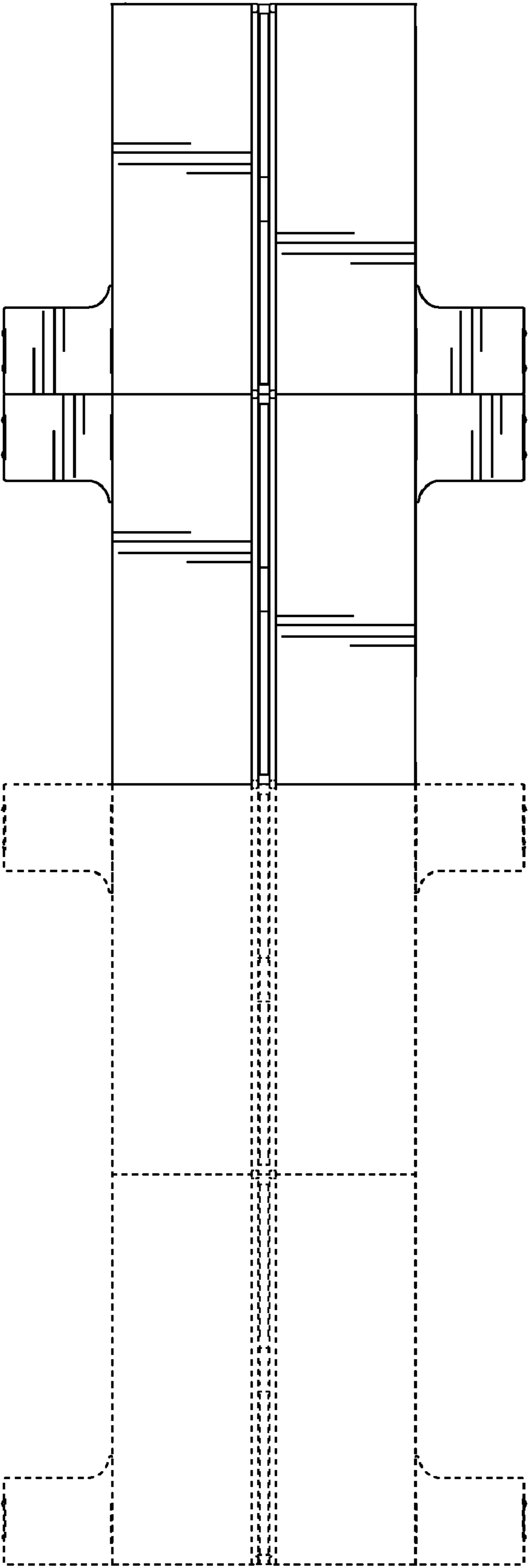
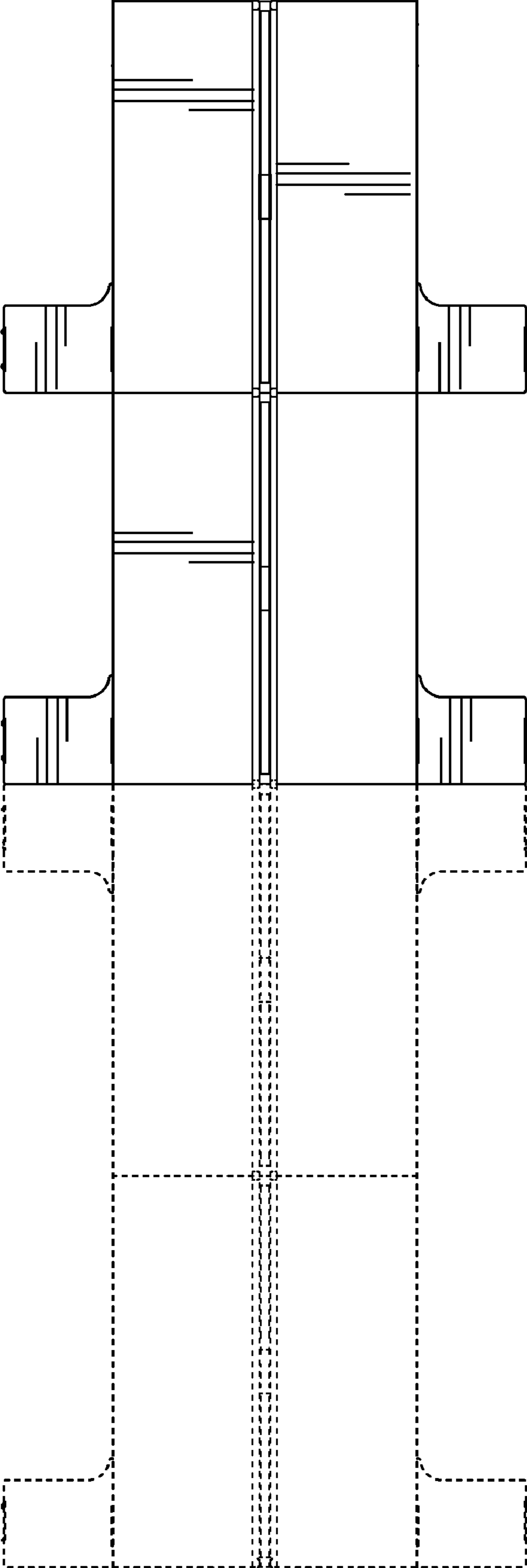


FIG. 7





**FIG. 8**



**FIG. 9**