



US00D610836S

(12) **United States Design Patent**
Kohler

(10) **Patent No.:** **US D610,836 S**
(45) **Date of Patent:** **** Mar. 2, 2010**

(54) **SHELVES AND CORRESPONDING FRAME**
(75) Inventor: **Paul Albert Kohler**, Seattle, WA (US)
(73) Assignee: **Slam Brands, Inc.**, Redmond, WA (US)
(**) Term: **14 Years**
(21) Appl. No.: **29/345,022**
(22) Filed: **Oct. 8, 2009**

(74) *Attorney, Agent, or Firm*—Turocy & Watson, LLP;
Thomas E. Watson

(51) **LOC (9) Cl.** **06-04**
(52) **U.S. Cl.** **D6/477**
(58) **Field of Classification Search** D6/491–492,
D6/494–495, 332, 396, 329, 500–502, 509–513,
D6/477; 211/24, 27, 33, 90.01, 11.003, 153
See application file for complete search history.

(57) **CLAIM**

An ornamental design for the shelves and corresponding frame, as described and shown.

DESCRIPTION

(56) **References Cited**

U.S. PATENT DOCUMENTS

D288,509 S	*	3/1987	van de Oudeweetering ..	D6/496
D334,101 S	*	3/1993	Moore	D6/462
D467,099 S	*	12/2002	Antonioni	D6/479
D478,748 S	*	8/2003	Liu	D6/495
D492,637 S	*	7/2004	Thompson, Sr.	D12/223
D502,617 S	*	3/2005	Chang	D6/480
D506,329 S	*	6/2005	Sexton	D6/477
D509,083 S	*	9/2005	Sexton	D6/477
D520,268 S	*	5/2006	Sexton	D6/479
D522,275 S	*	6/2006	Becker	D6/479
D539,057 S	*	3/2007	Senda et al.	D6/477
D568,067 S	*	5/2008	Cohen	D6/475
D578,325 S	*	10/2008	Warriner	D6/495
D600,946 S	*	9/2009	Day	D6/479

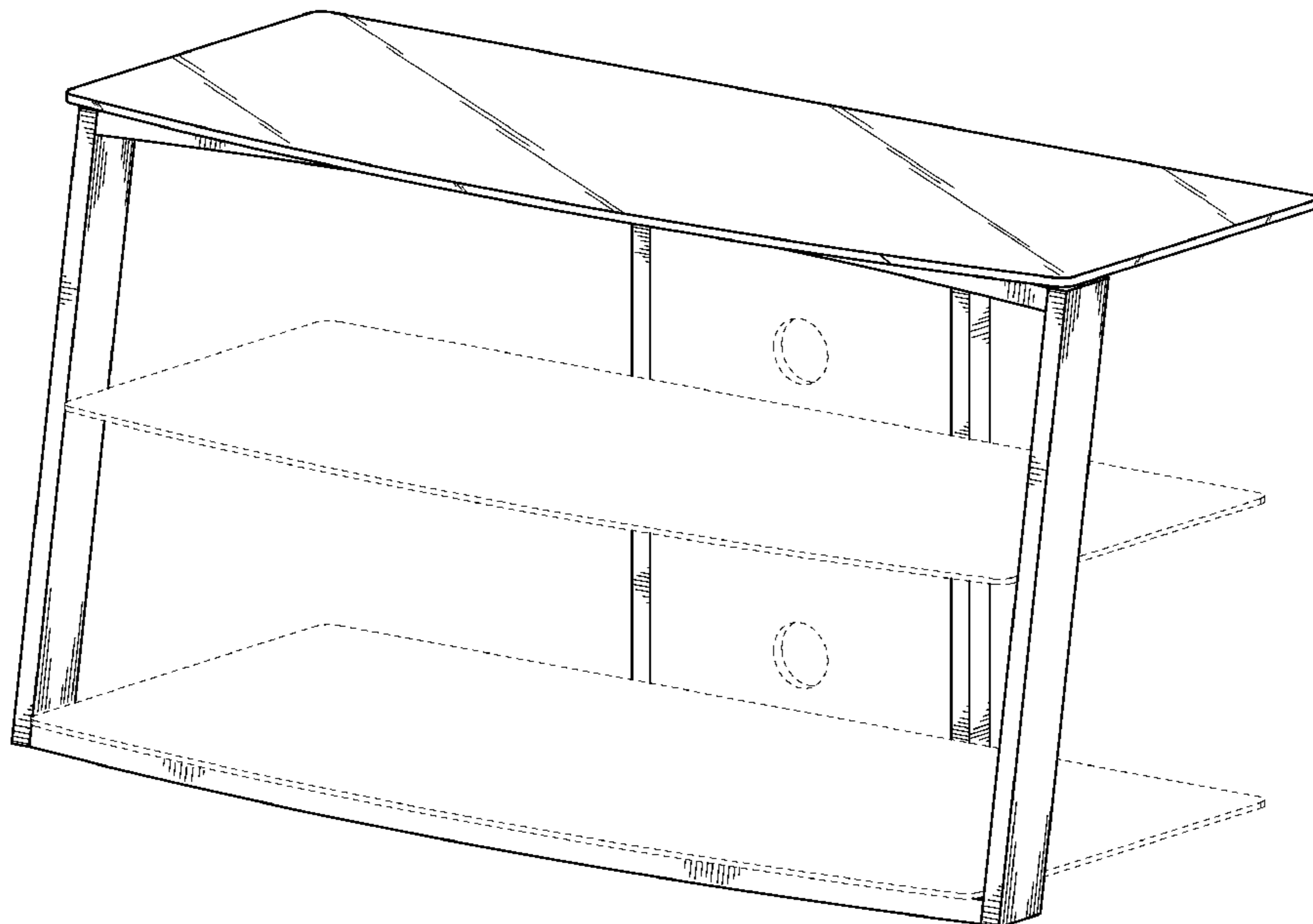
FIG. 1 is a first perspective view of a shelves and corresponding frame;
FIG. 2 is a first perspective view without environmental elements;
FIG. 3 is a second perspective view thereof;
FIG. 4 is a second perspective view without environmental elements;
FIG. 5 is an end view thereof, the other end being a mirror image;
FIG. 6 is a front view thereof;
FIG. 7 is a front view without environmental elements
FIG. 8 is a rear view thereof;
FIG. 9 is a rear view without environmental elements;
FIG. 10 is a top plan view thereof;
FIG. 11 is a top plan view thereof without environmental elements;
FIG. 12 is a bottom plan view thereof; and,
FIG. 13 is a bottom plan view without environmental elements thereof.

The dashed lines in the drawings are shown for environmental purposes and form no part of the claimed design.

* cited by examiner

Primary Examiner—Elizabeth A Albert
Assistant Examiner—Kelley A Donnelly

1 Claim, 13 Drawing Sheets



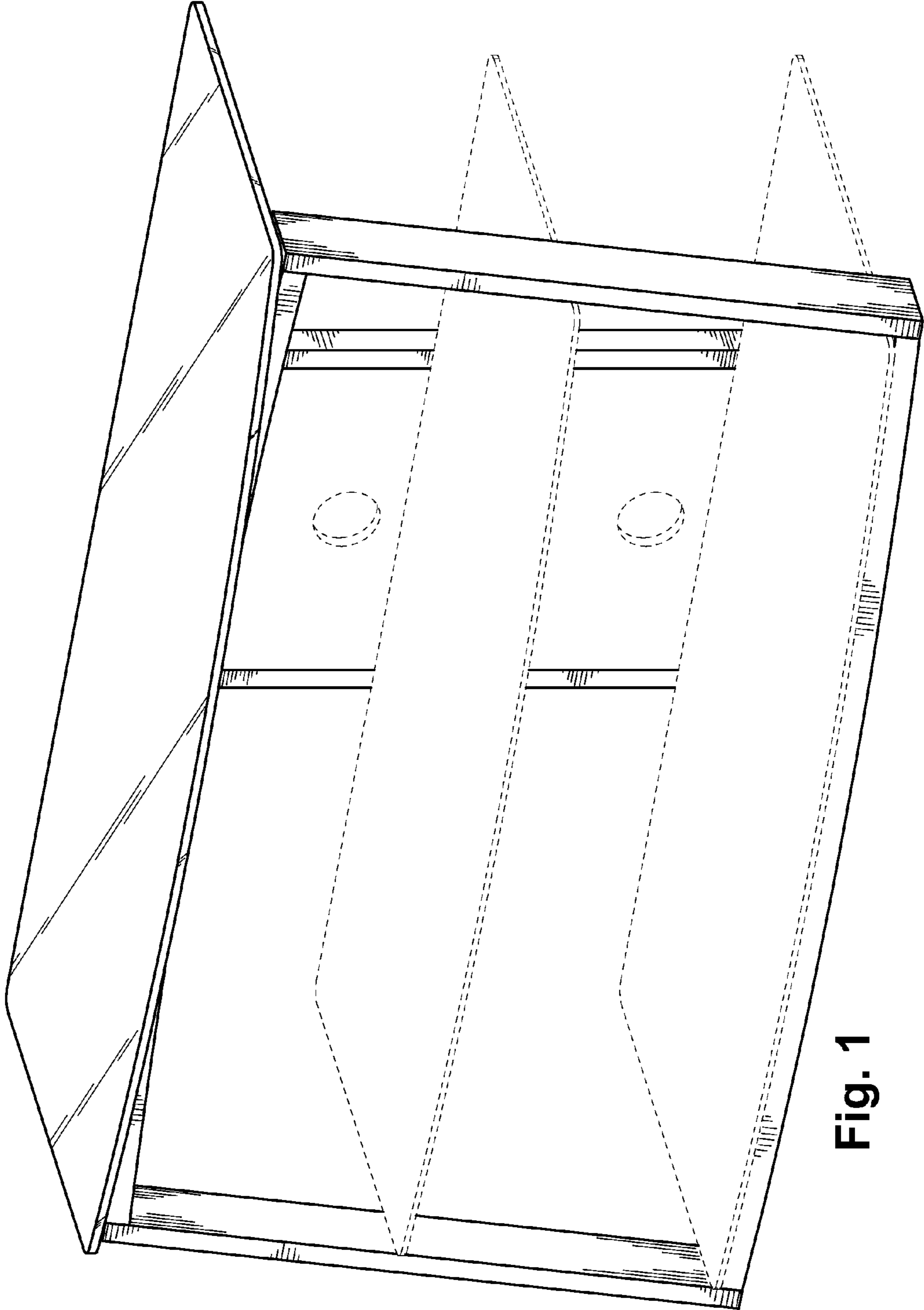


Fig. 1

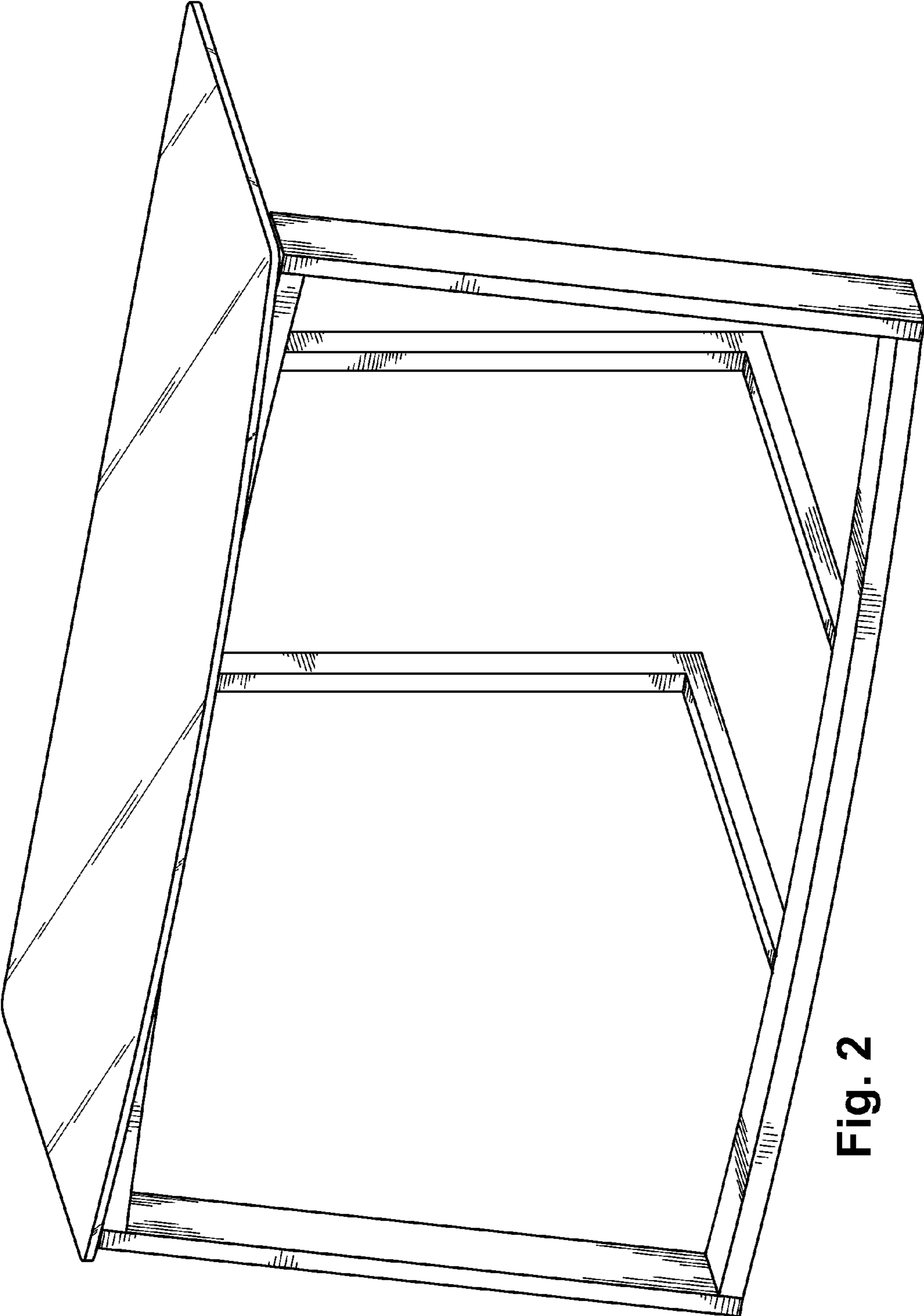


Fig. 2

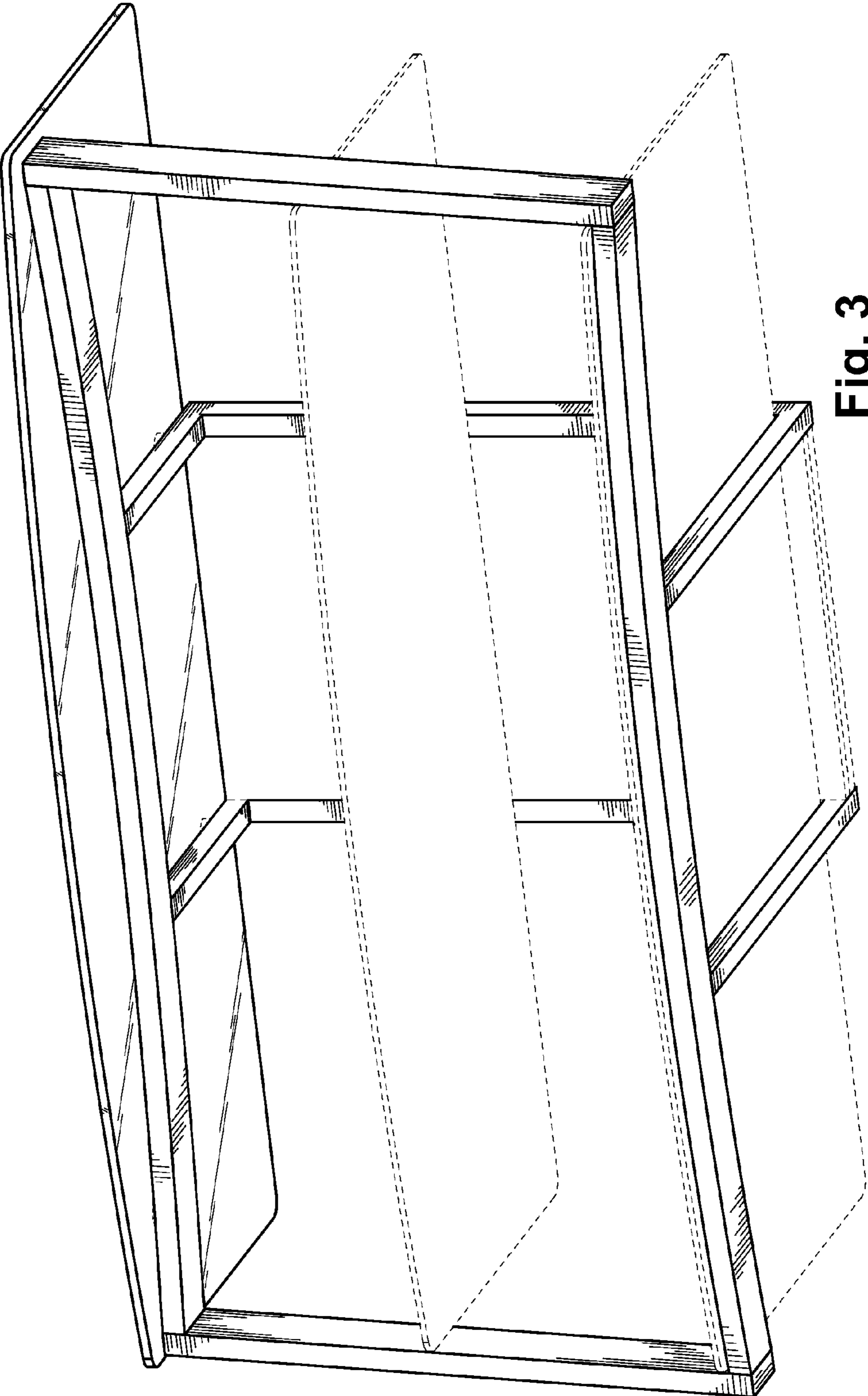


Fig. 3

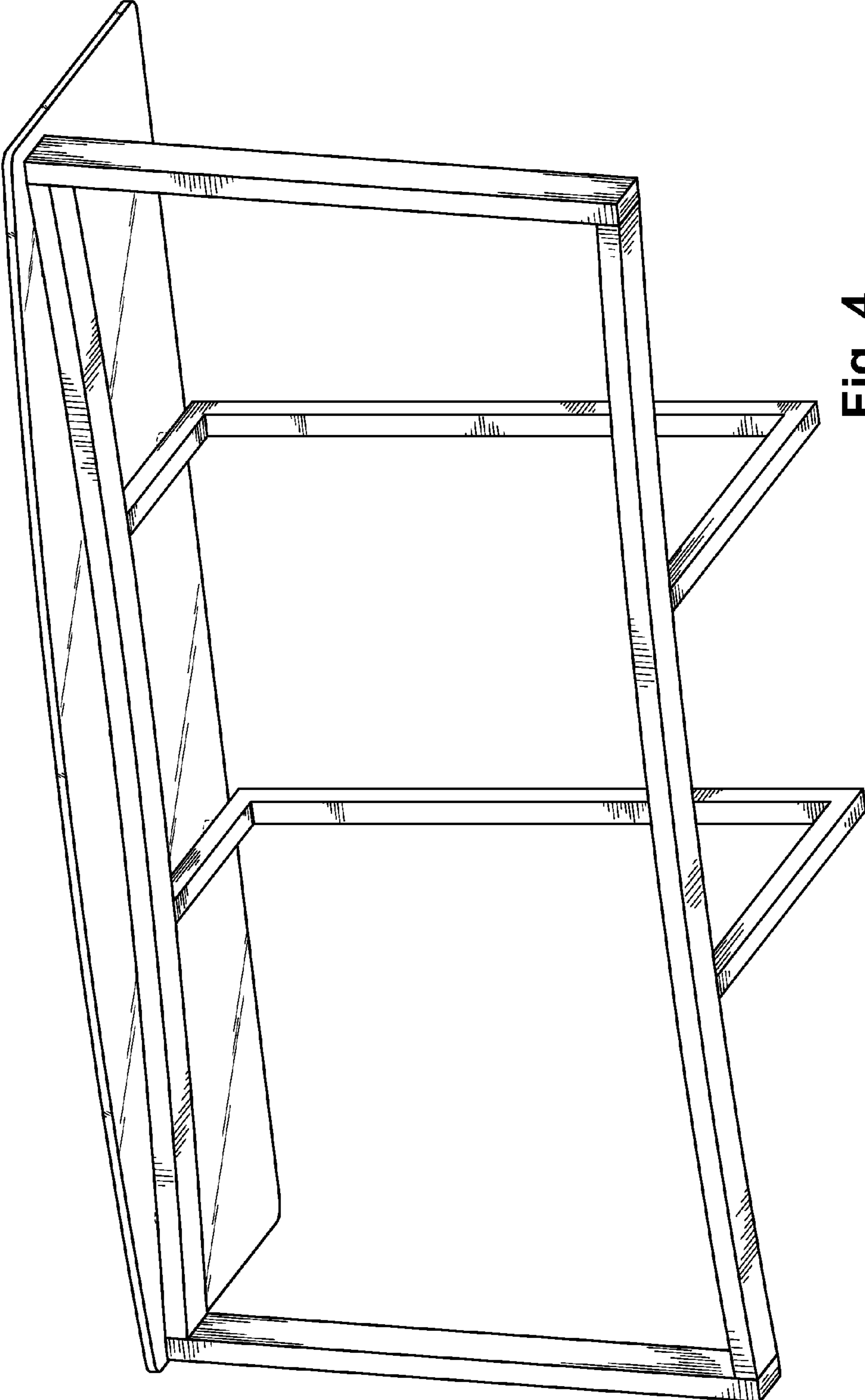


Fig. 4

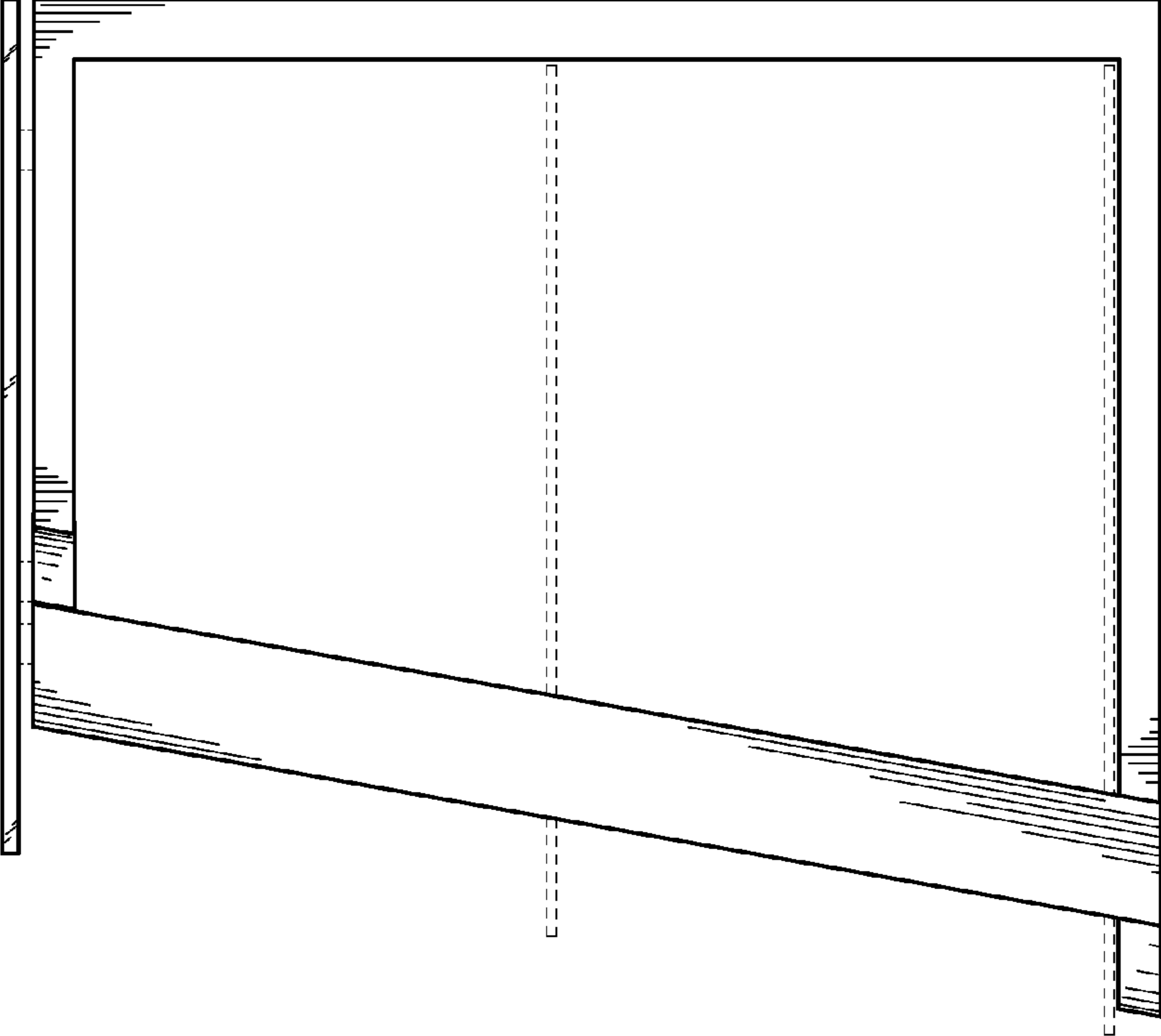


Fig. 5

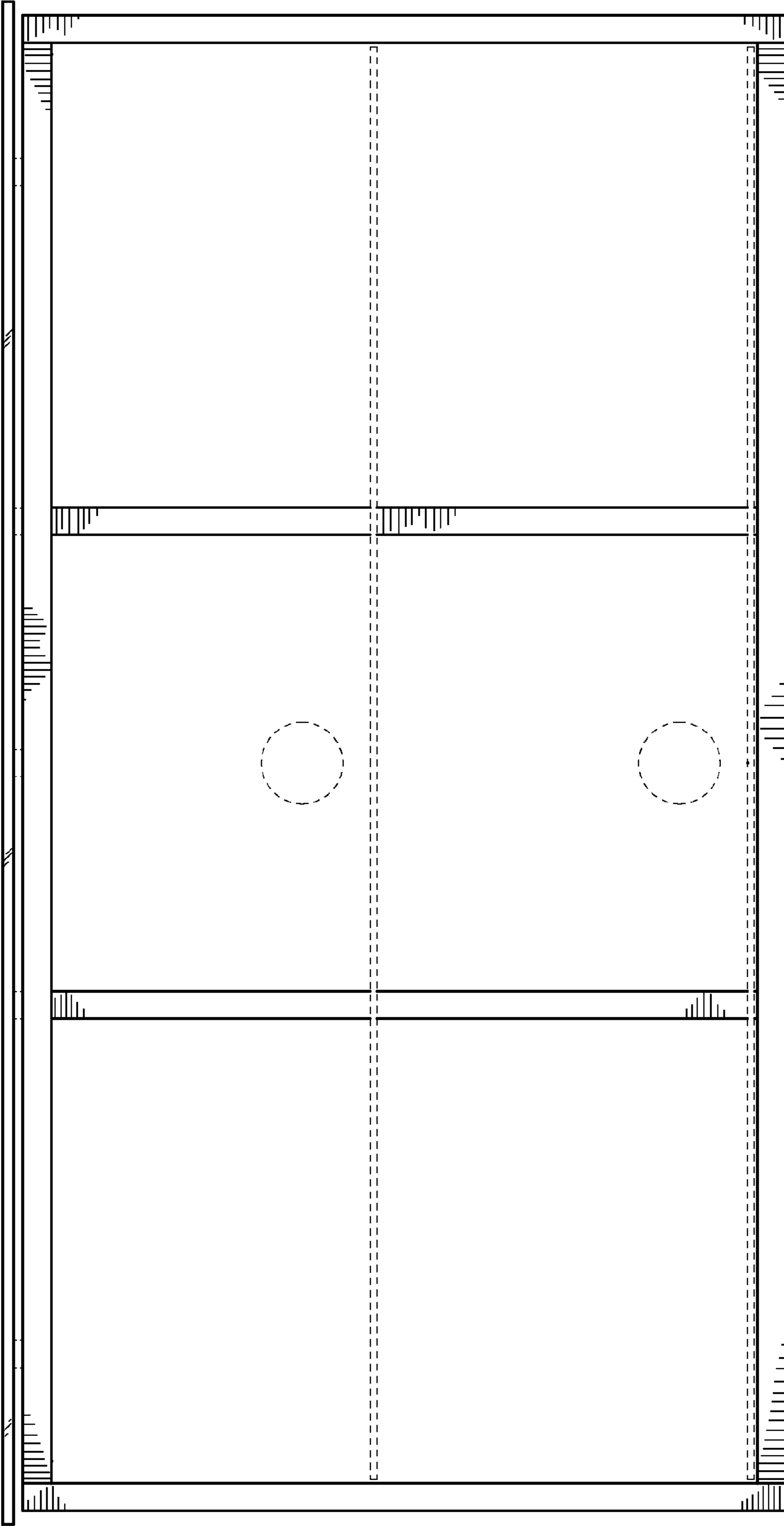


Fig. 6

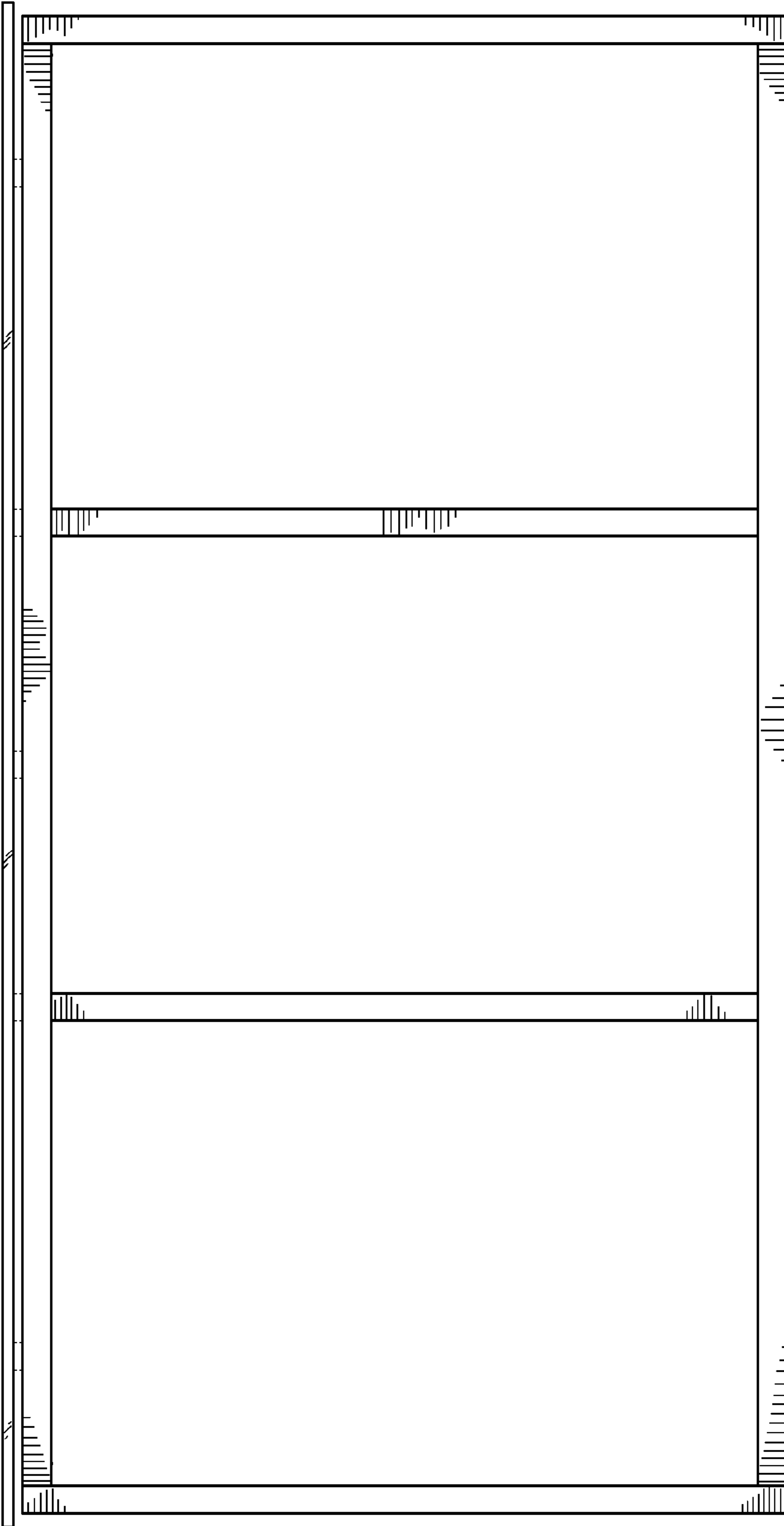


Fig. 7

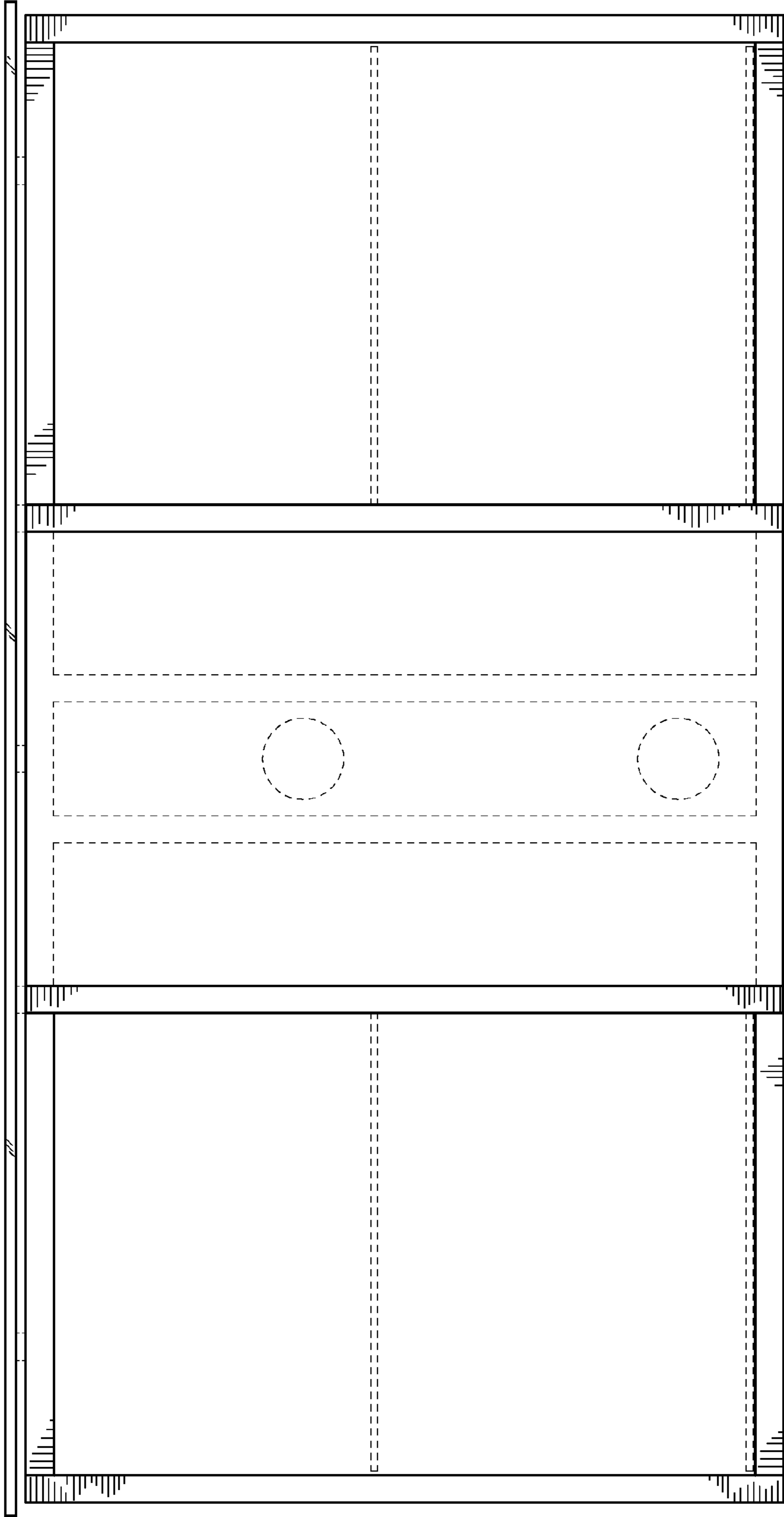


Fig. 8

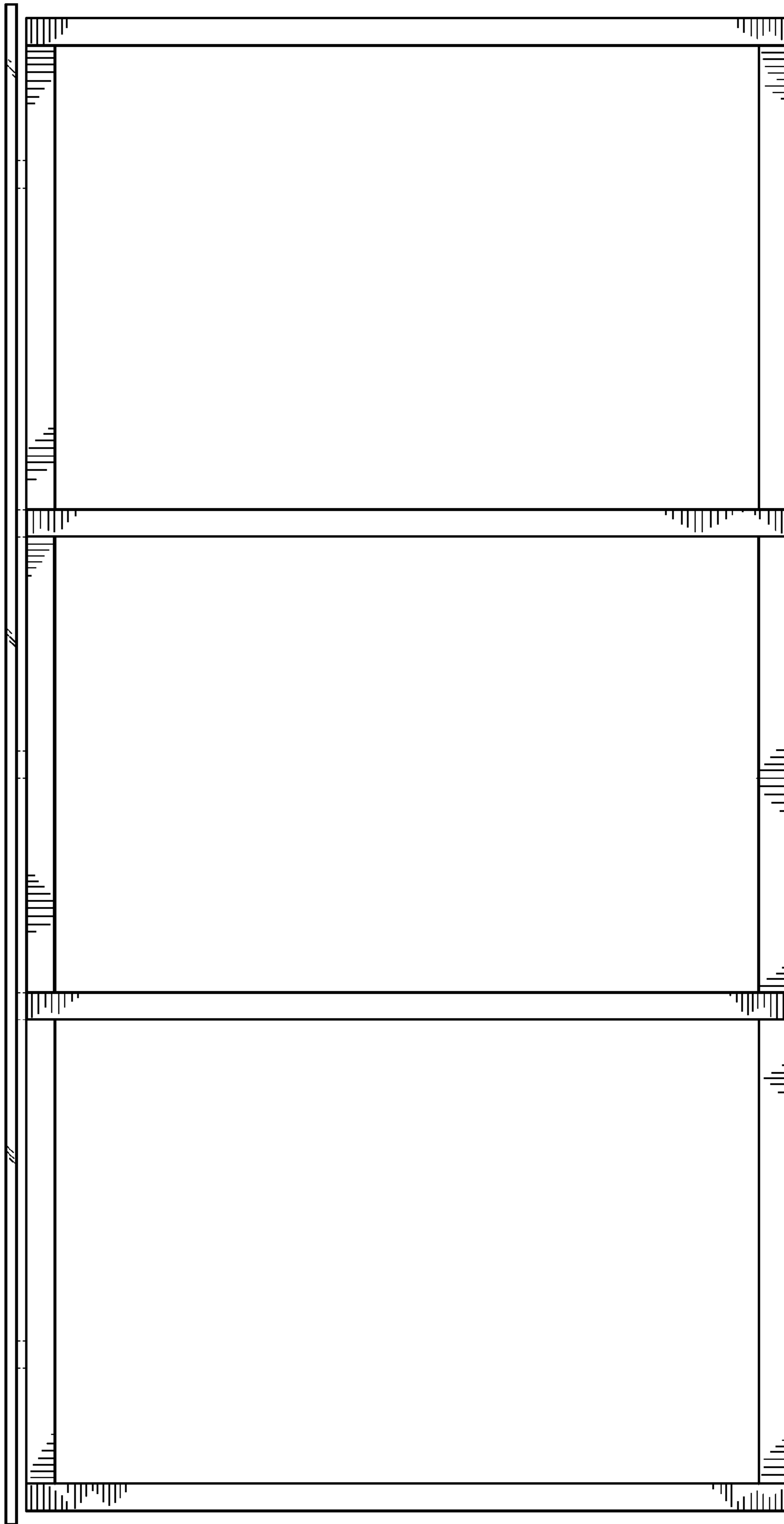


Fig. 9

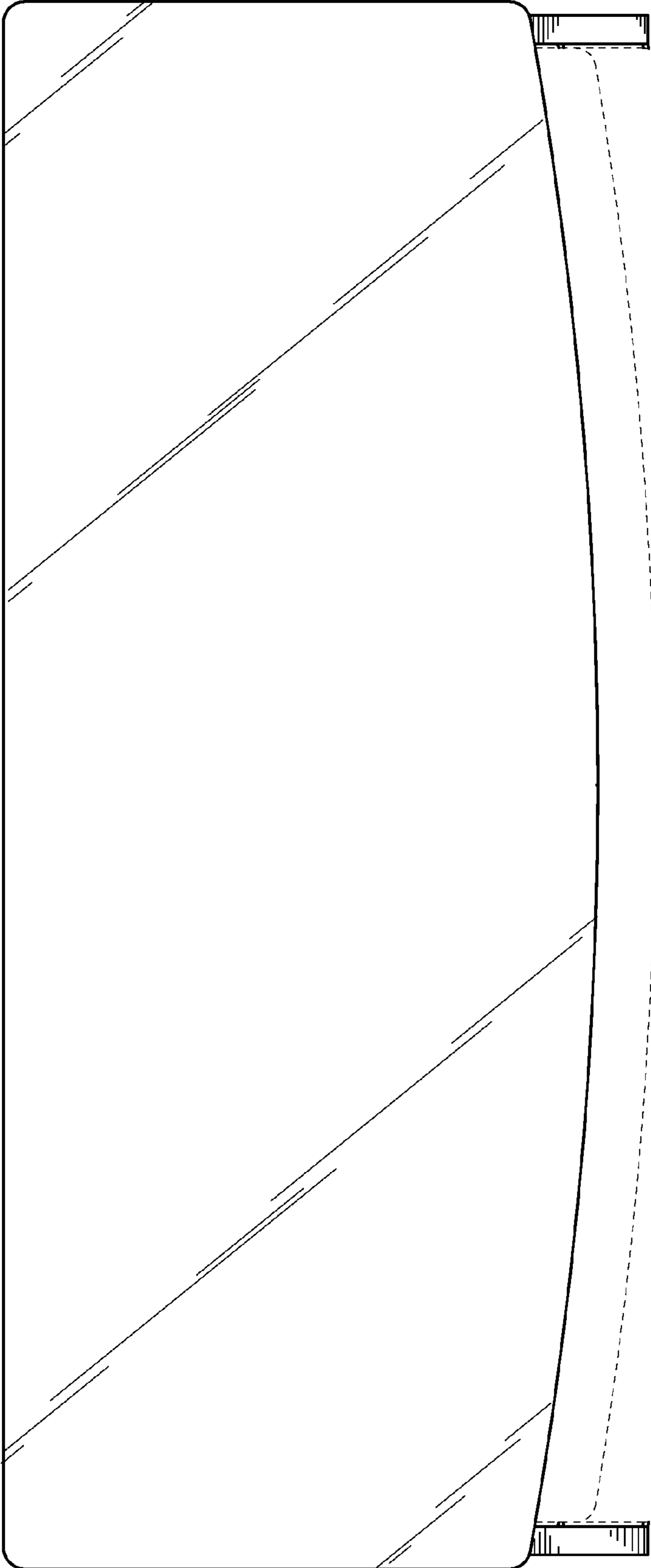


Fig. 10

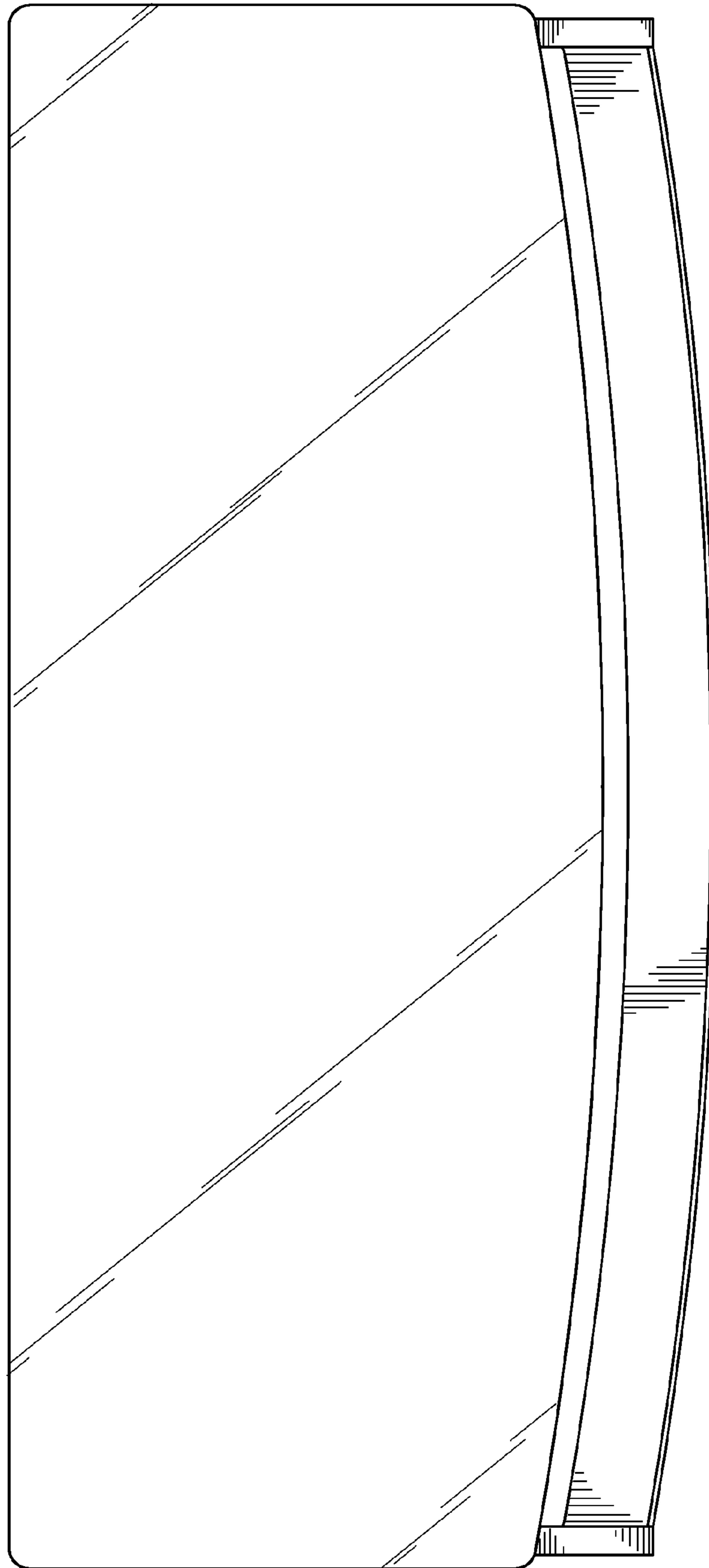


Fig. 11

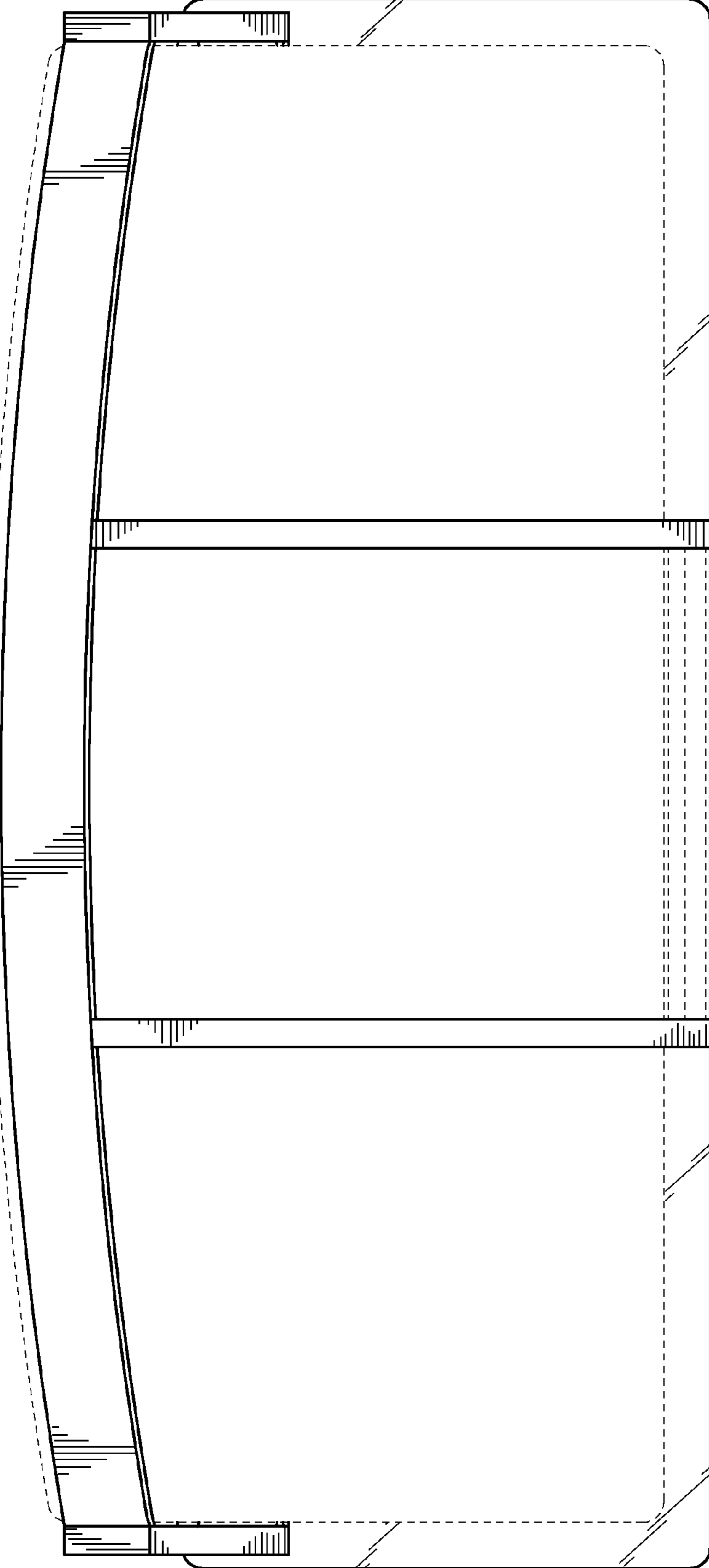


Fig. 12

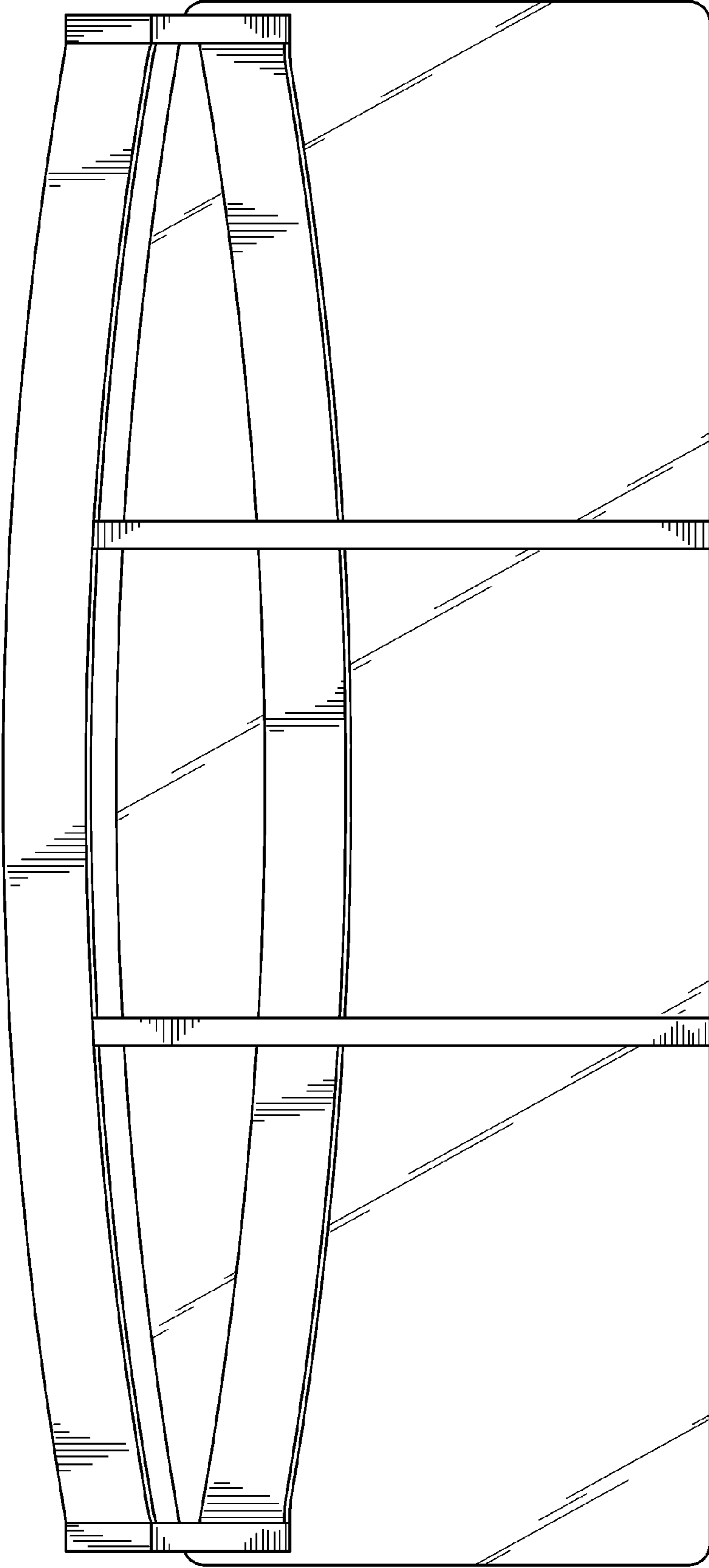


Fig. 13