

US00D610835S

(12) **United States Design Patent**  
**Mono**

(10) **Patent No.:** **US D610,835 S**  
(45) **Date of Patent:** **\*\* Mar. 2, 2010**

(54) **MUSICAL INSTRUMENT STAND**

(57) **CLAIM**

(76) **Inventor:** **Stuart Mono**, 69-36 Fleet St., Forest Hills, NY (US) 11375

The ornamental design for a musical instrument stand, as shown and described.

(\*\*) **Term:** **14 Years**

**DESCRIPTION**

(21) **Appl. No.:** **29/315,902**

FIG. 1 is a front, elevational view of my new musical instrument stand

(22) **Filed:** **Aug. 4, 2009**

FIG. 2 is a left side view of the musical instrument stand. The right side view is a mirror image of the left side.

(51) **LOC (9) Cl.** ..... **06-06**

FIG. 3 is a top view of the musical instrument stand

(52) **U.S. Cl.** ..... **D6/466**

FIG. 4 is a bottom view of the musical instrument stand

(58) **Field of Classification Search** ..... D16/495,  
D16/462, 418, 466, 317, 429, 312, 310, 419,  
D16/491; D19/91; D17/20, 19; D14/447;  
248/166, 167, 150, 460, 448, 443, 122.1;  
84/327

FIG. 5 is a rear view of the musical instrument stand

FIG. 6 is a perspective view of the musical instrument stand

See application file for complete search history.

FIG. 7 is a front view of the second embodiment of the musical instrument stand

(56) **References Cited**

FIG. 8 is a left side view of the second embodiment of the musical instrument stand. The right side view is a mirror image of the left side.

**U.S. PATENT DOCUMENTS**

FIG. 9 is a top view of the second embodiment of the musical instrument stand

1,461,920 A \* 7/1923 Larson ..... 248/125.1

FIG. 10 is a rear view of the second embodiment of the musical instrument stand; and,

D411,698 S \* 6/1999 Kalayjian ..... D6/462

6,513,768 B1 \* 2/2003 Hsieh ..... 248/121

D550,987 S \* 9/2007 Brevda et al. .... D6/495

2004/0237755 A1 \* 12/2004 Laio ..... 84/327

FIG. 11 is a perspective view of the second embodiment of the musical instrument stand.

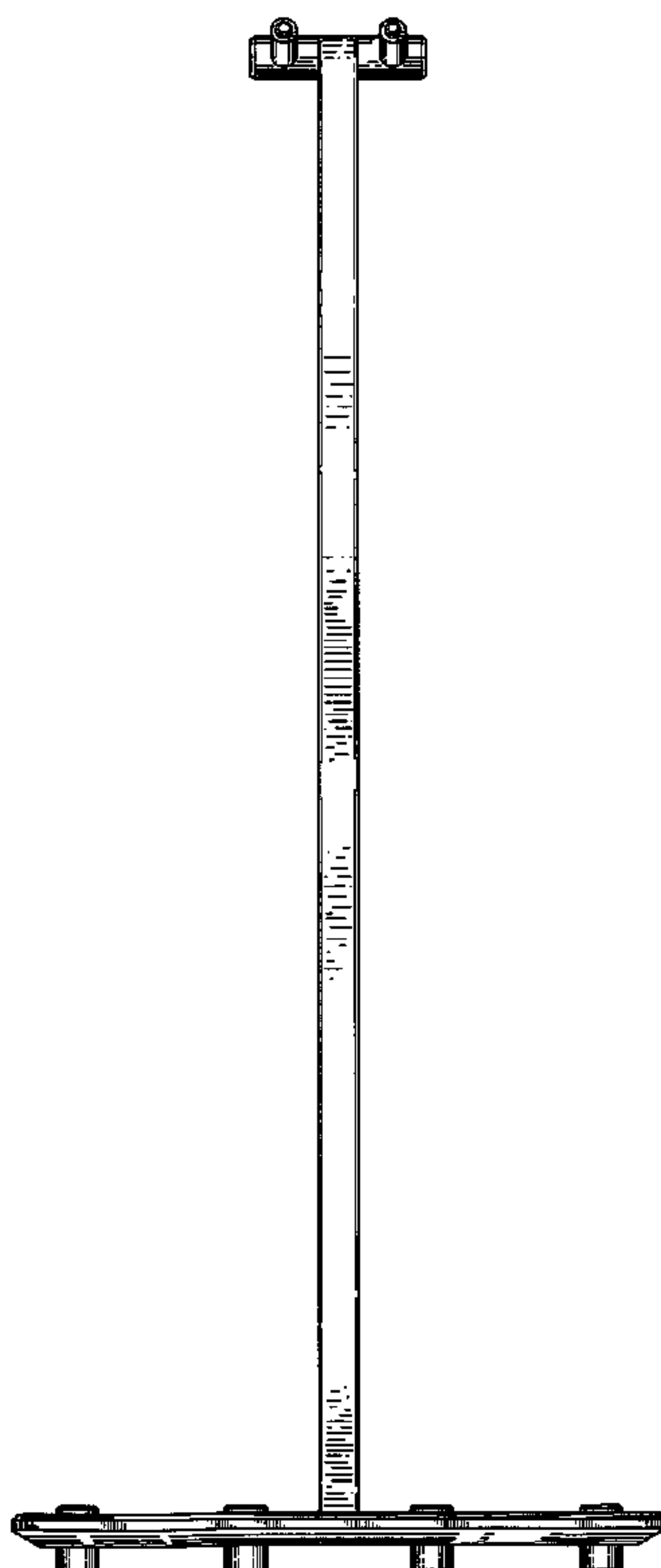
2008/0168883 A1 \* 7/2008 Chen ..... 84/327

My musical instrument stand is characterized by a curved vertical support with cylindrical components at the top. The vertical curved support is attached to the flat base.

\* cited by examiner

*Primary Examiner*—Philip S Hyder  
*Assistant Examiner*—Sydney R Buffalow

**1 Claim, 11 Drawing Sheets**



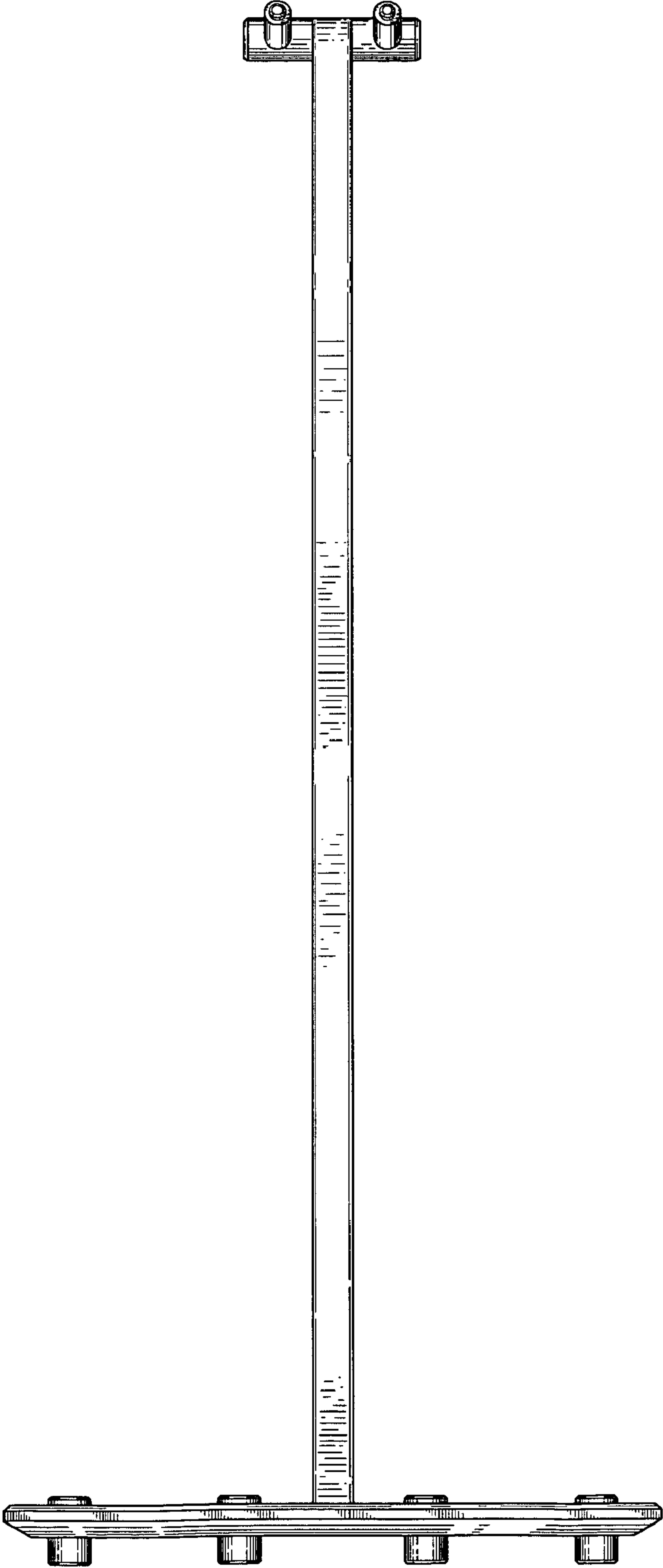


Fig. 1

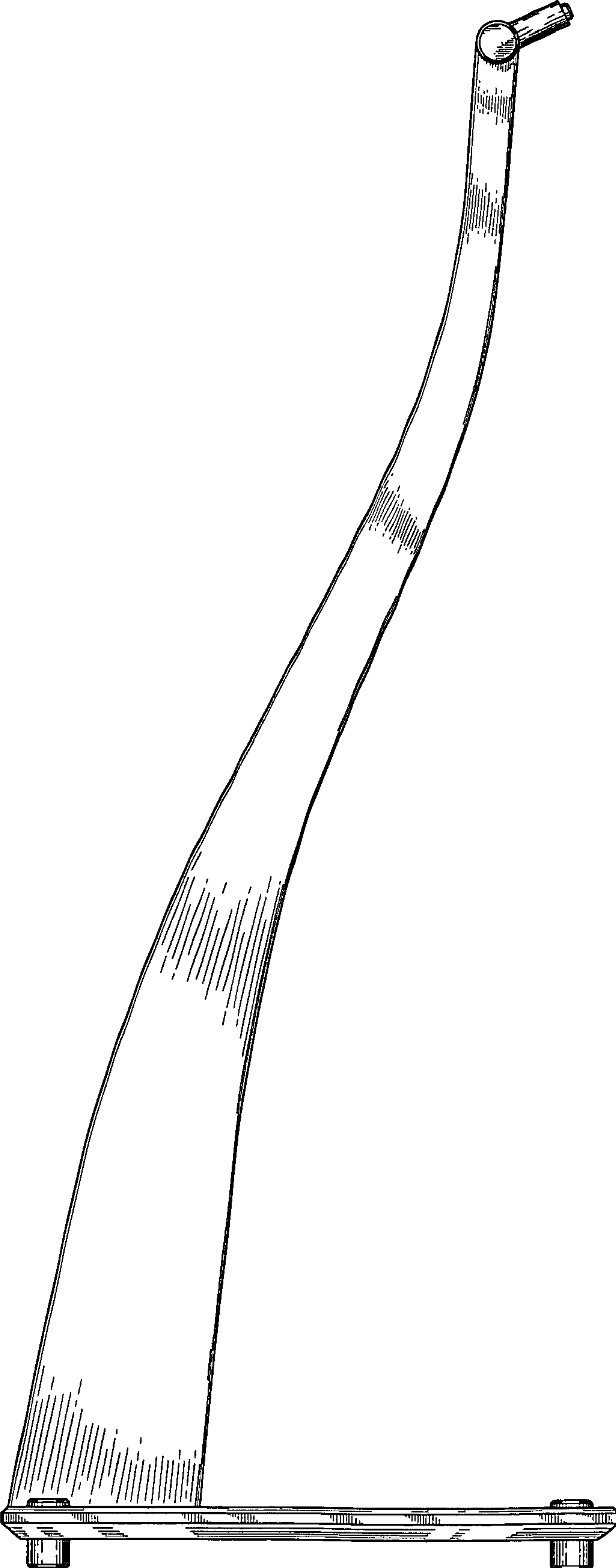


Fig. 2

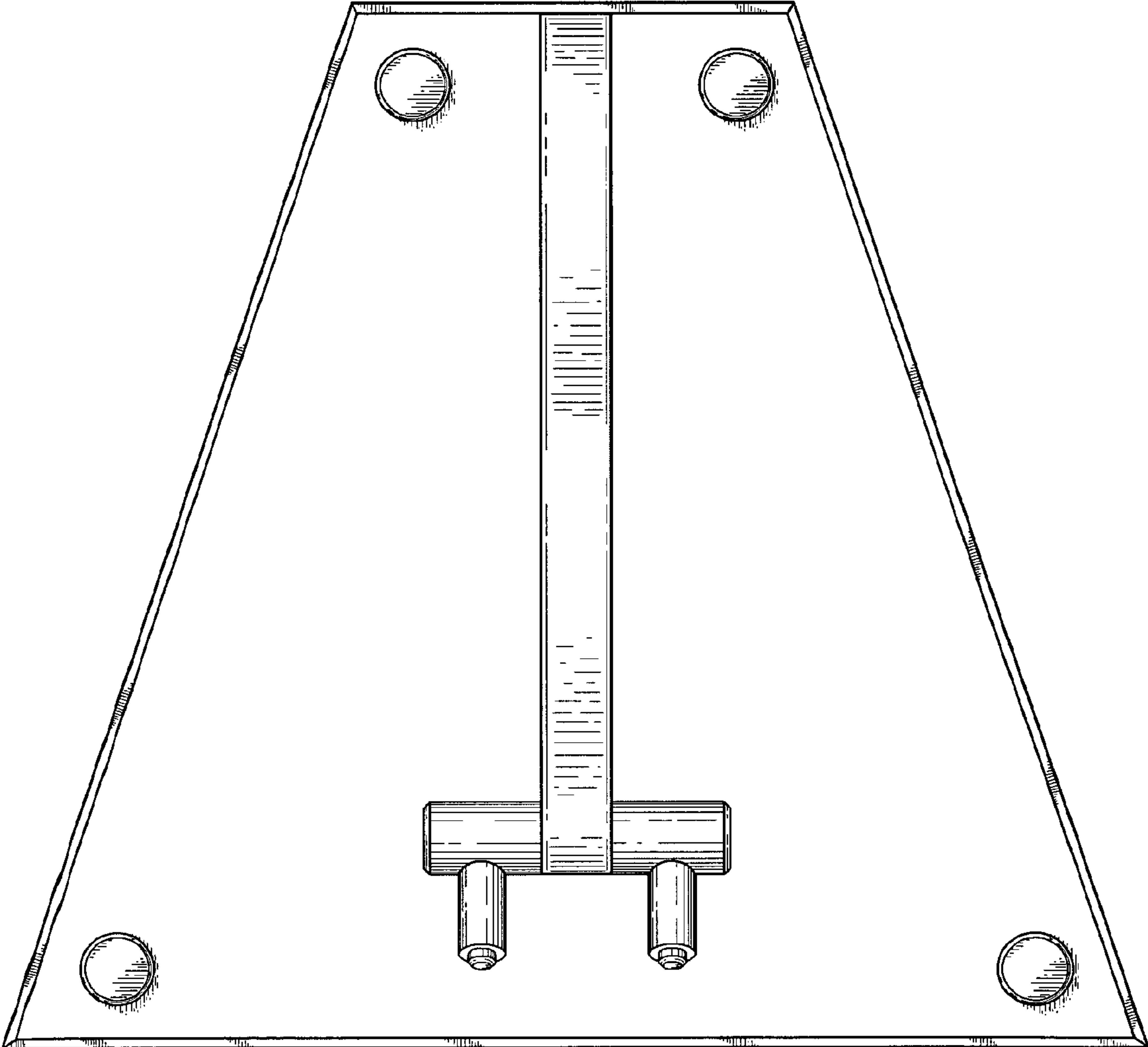


Fig. 3

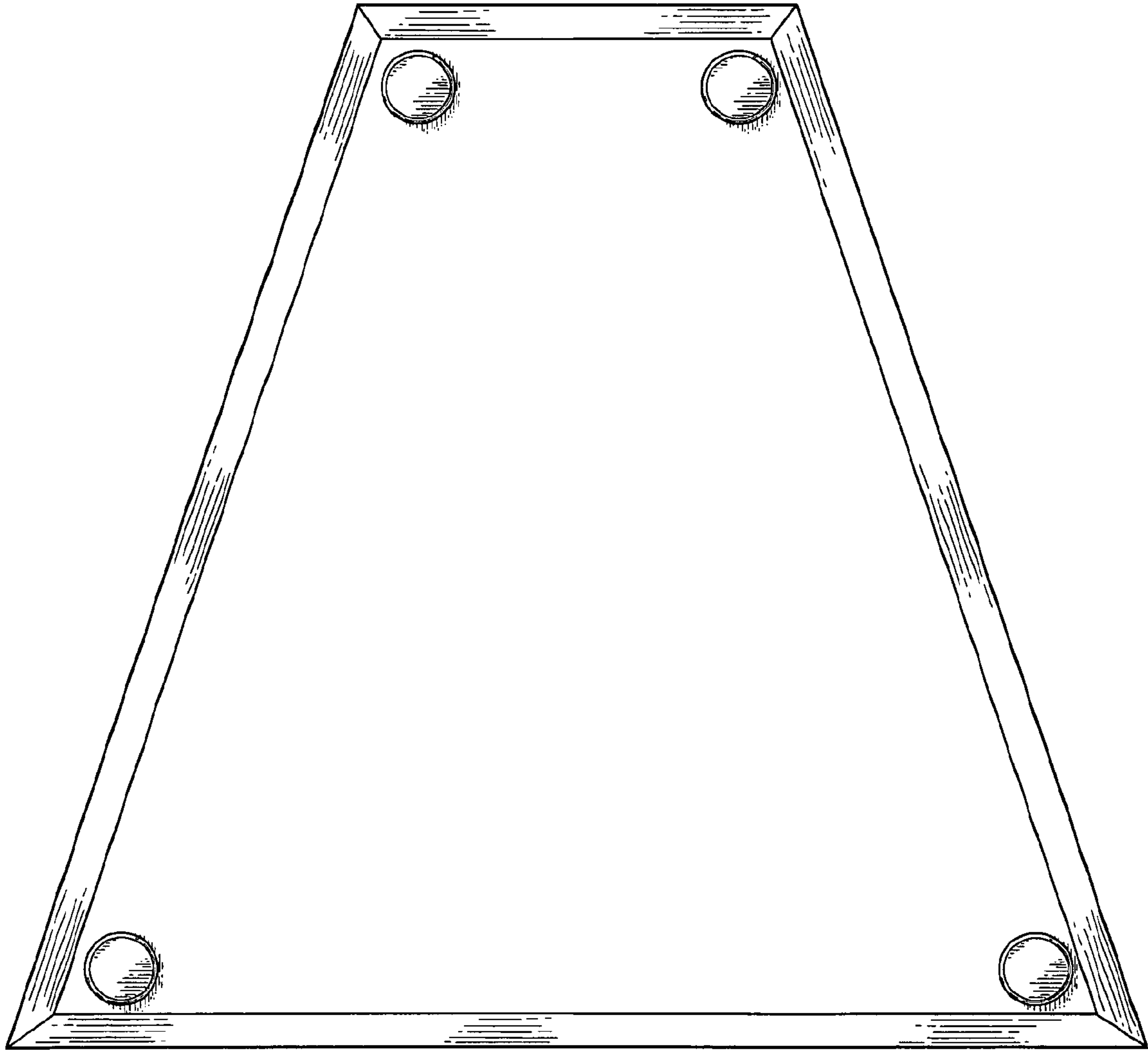


Fig. 4

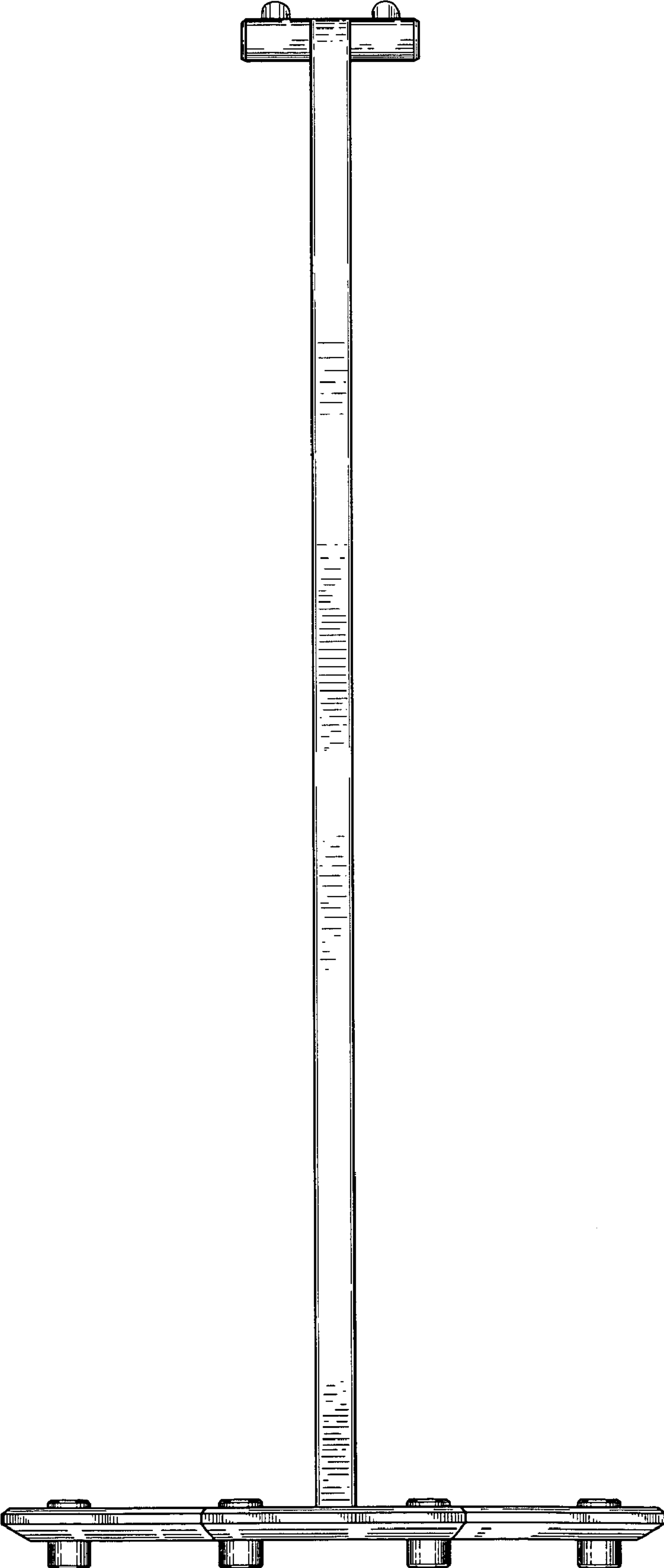


Fig. 5

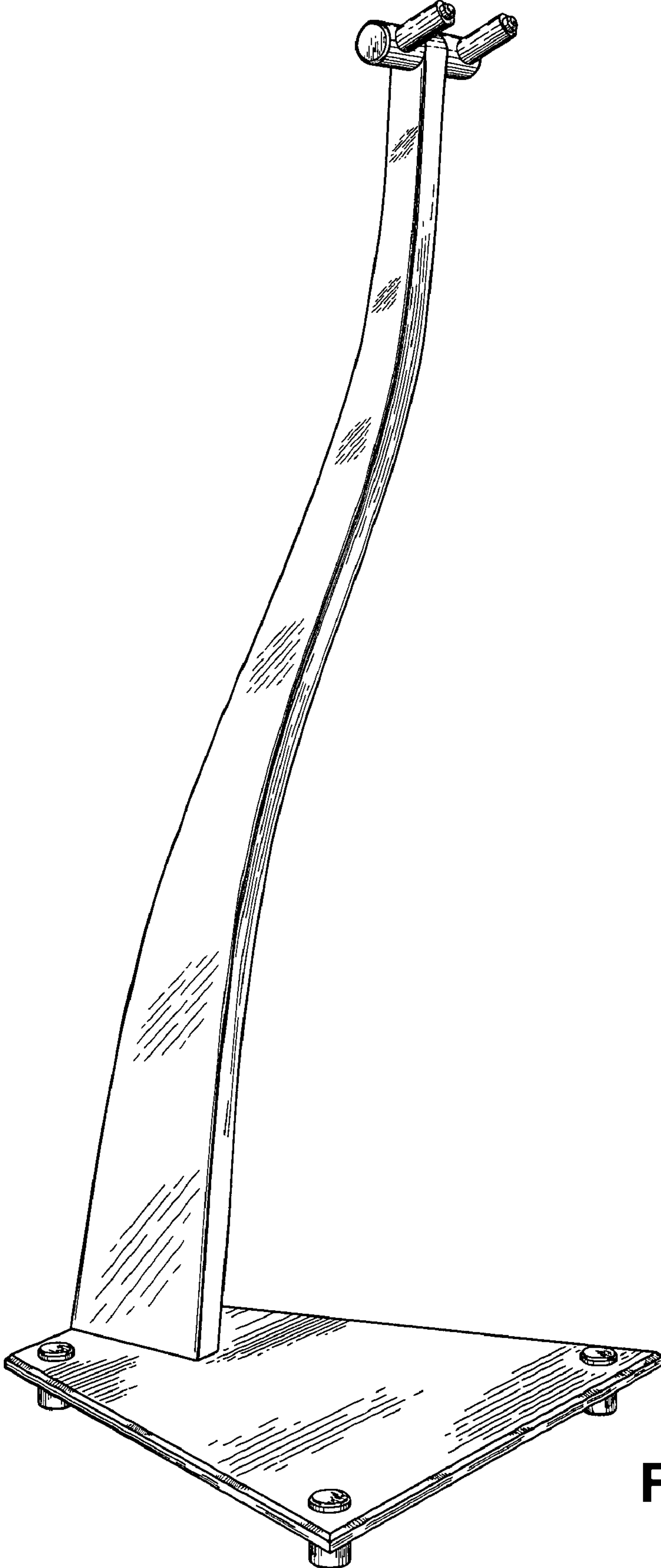
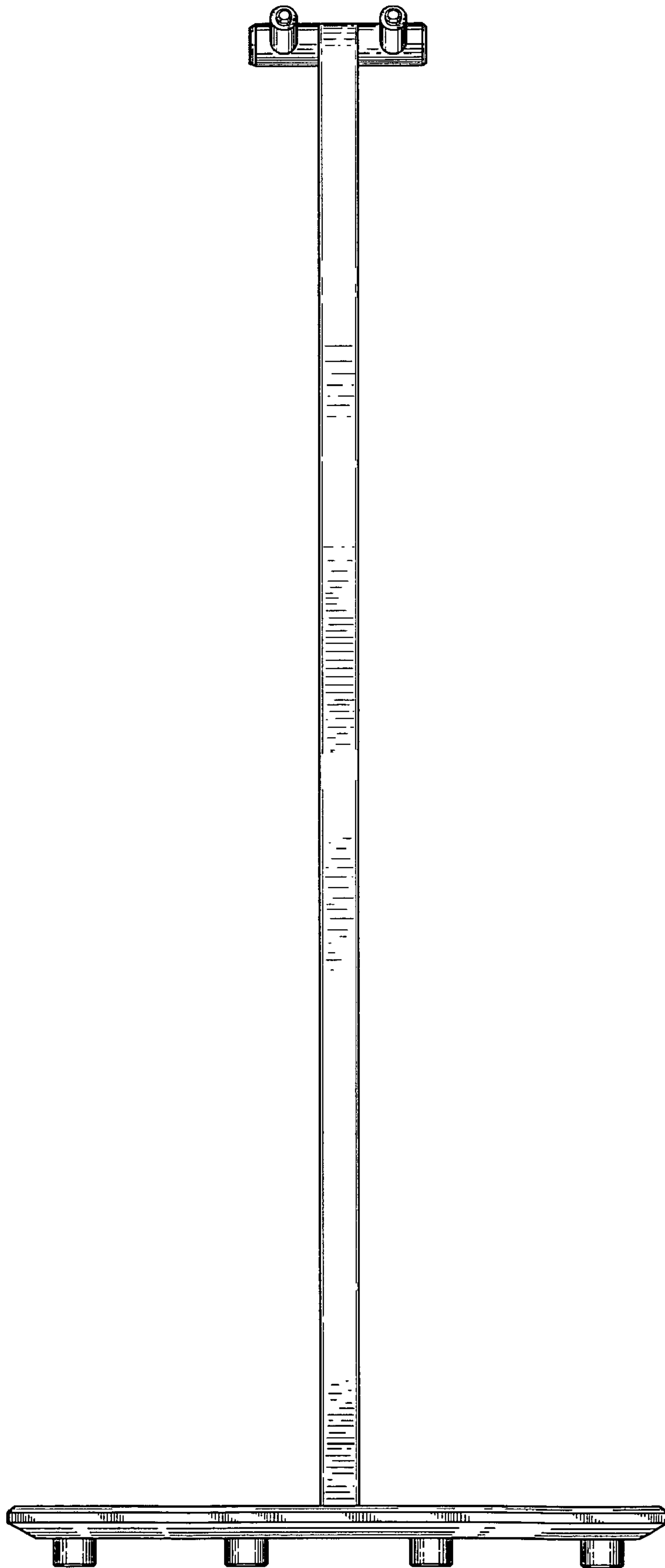


Fig. 6



**Fig. 7**



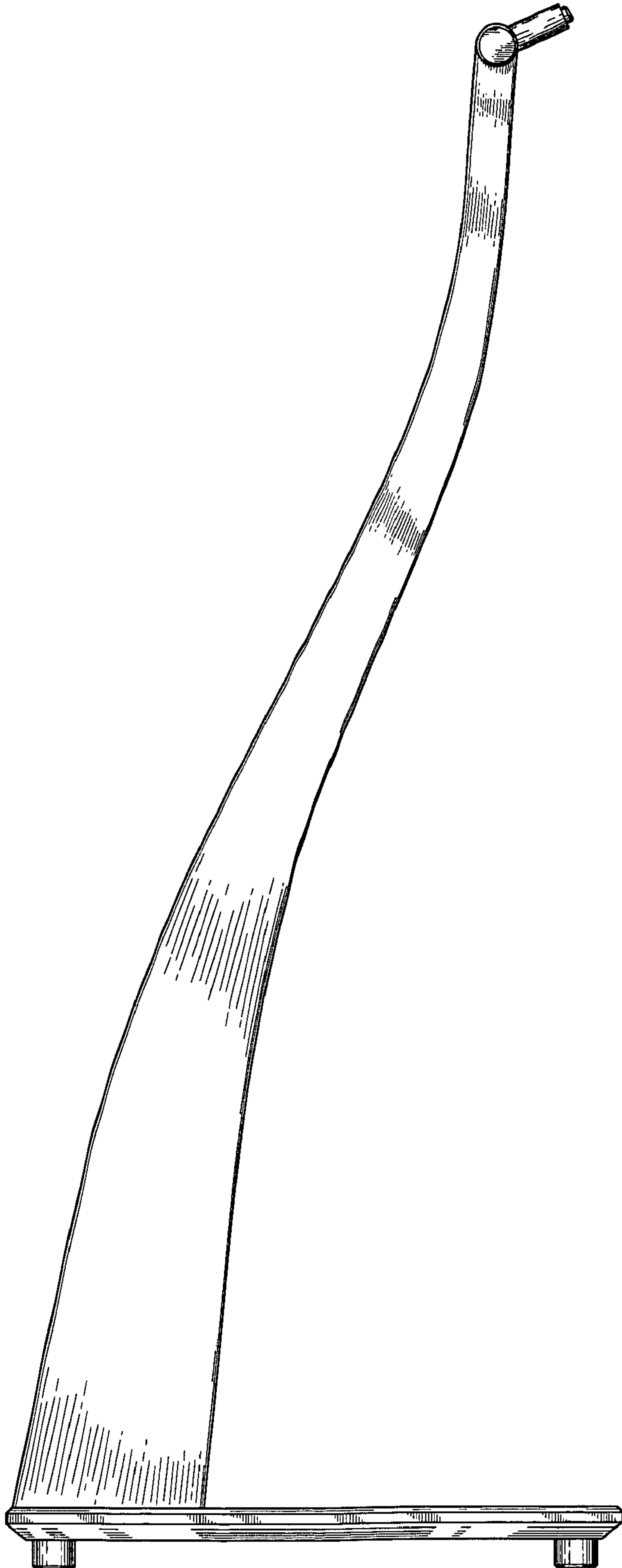


Fig. 8

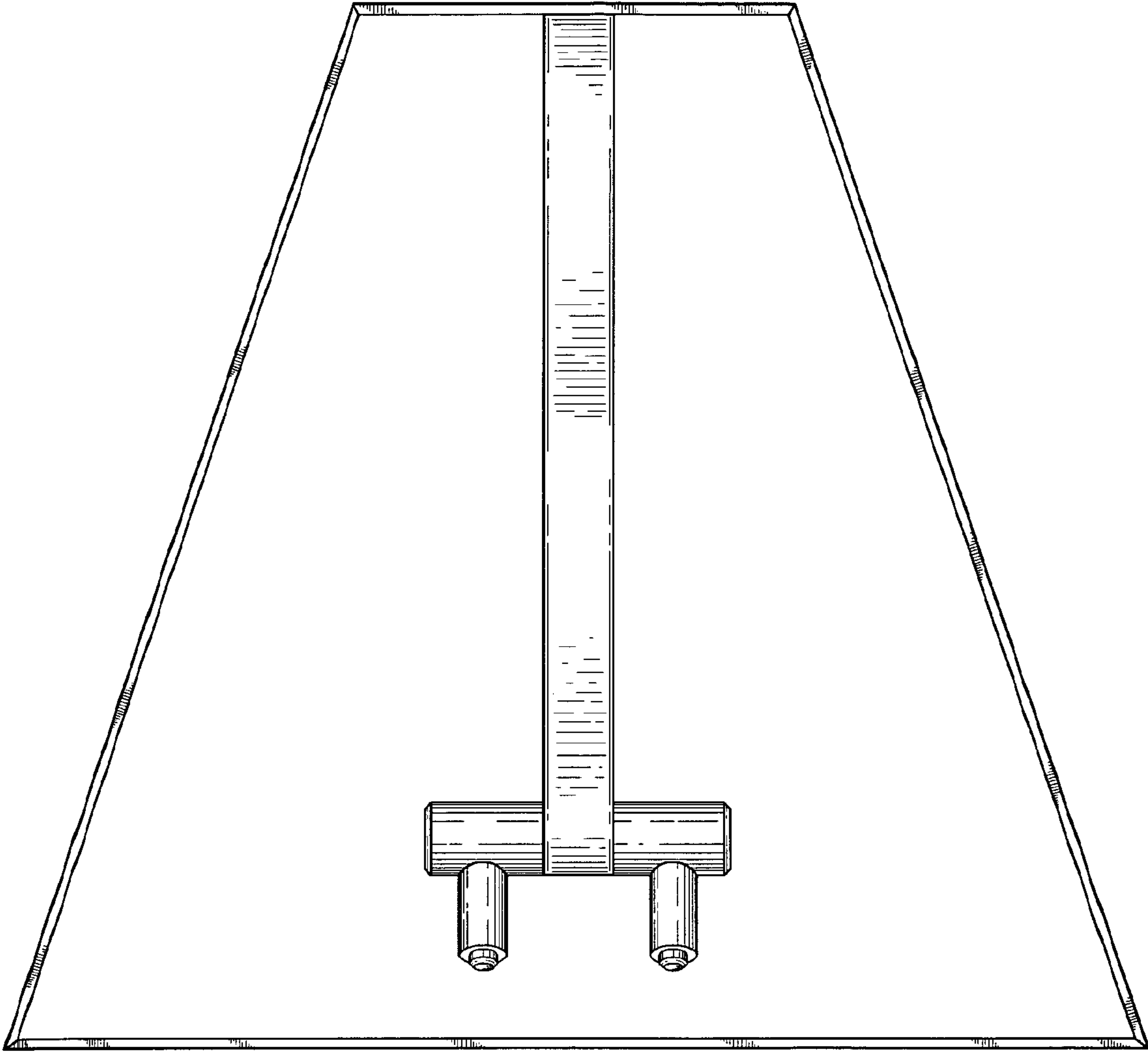


Fig. 9

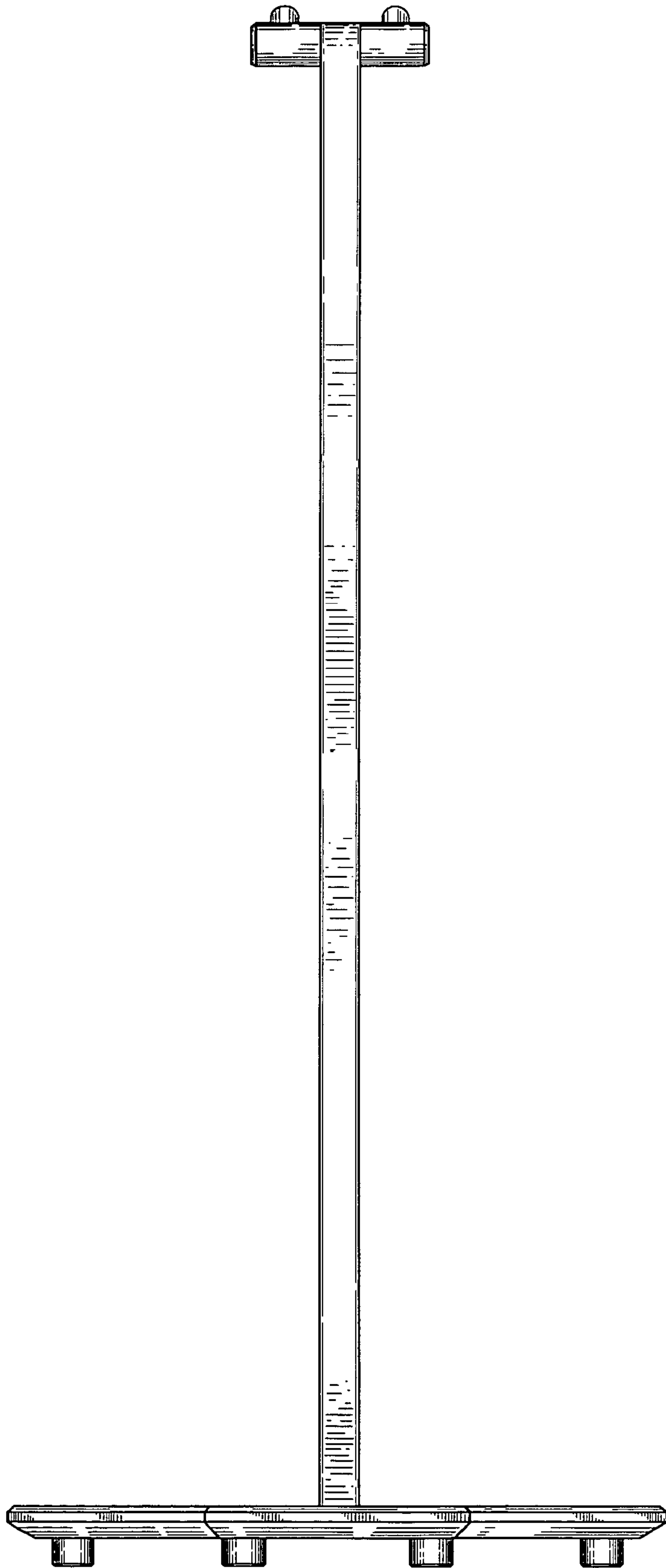


Fig. 10

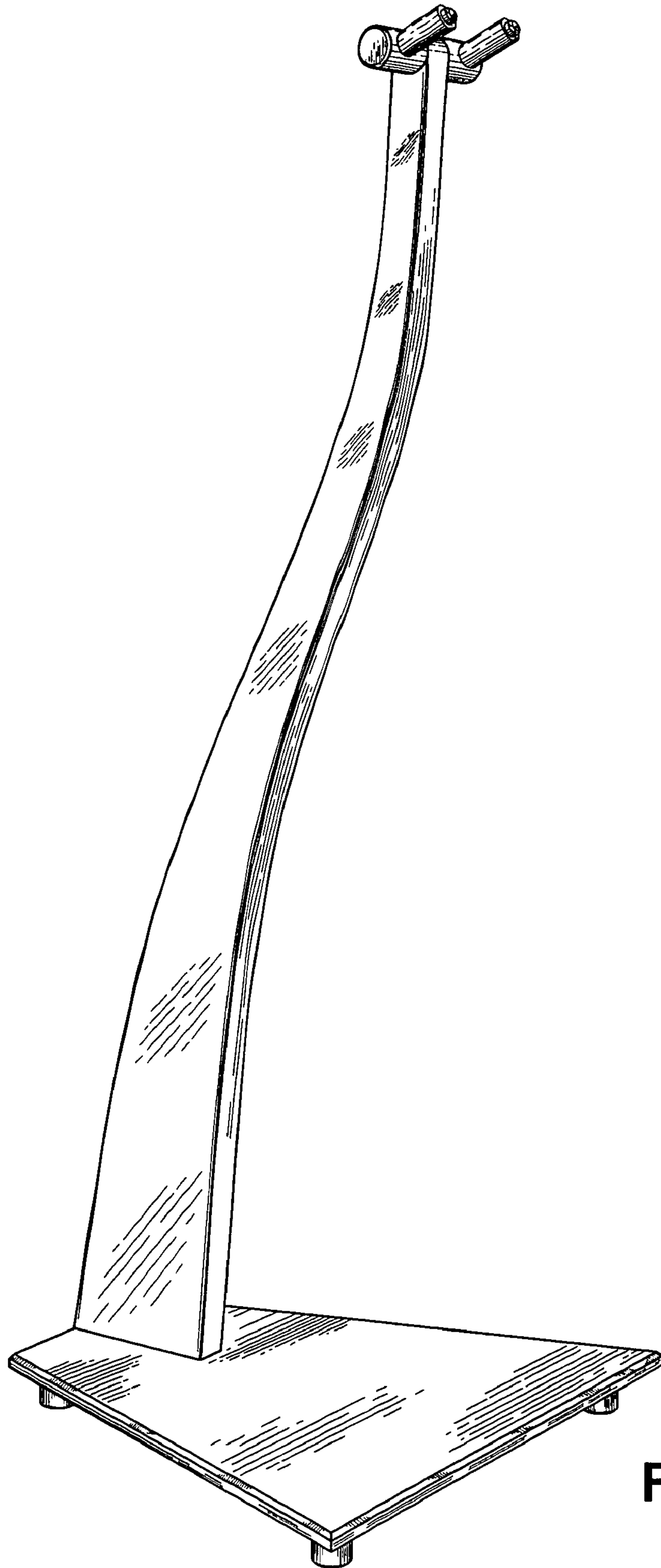


Fig. 11