



US00D610833S

(12) **United States Design Patent**
Grzybowksi et al.

(10) **Patent No.:** **US D610,833 S**
(45) **Date of Patent:** **** Mar. 2, 2010**

(54) **STORAGE ORGANIZER**

(75) Inventors: **Margaret J. Grzybowksi**, Sandy, UT (US); **Ronald V. Lunt**, Orem, UT (US)

(73) Assignee: **Close To My Heart, Inc.**, Pleasant Grove, UT (US)

(**) Term: **14 Years**

(21) Appl. No.: **29/327,642**

(22) Filed: **Nov. 10, 2008**

(51) **LOC (9) Cl.** **06-07**

(52) **U.S. Cl.** **D6/455**

(58) **Field of Classification Search** D6/629,
D6/396, 397, 457, 455, 466, 467, 630, 449,
D6/461; 211/40, 41, 42, 163; 312/9.48,
312/258; 206/308.1, 387.14, 307.1, 387.11
See application file for complete search history.

(56) **References Cited**

U.S. PATENT DOCUMENTS

1,510,772	A	10/1924	Eubank	
D233,375	S *	10/1974	Berkman	D6/629
3,889,817	A *	6/1975	Berkman	211/163
3,993,196	A	11/1976	Immordino	
4,079,841	A	3/1978	Castel	
D279,045	S *	6/1985	Hall	D6/629
4,538,736	A	9/1985	Berger	
4,700,829	A	10/1987	Goodyear	
D292,644	S *	11/1987	Hall et al.	D6/629
D295,807	S *	5/1988	Kyler	D6/457
D298,287	S *	11/1988	Stravitz	D6/629
4,844,564	A	7/1989	Price, Sr. et al.	
D307,977	S *	5/1990	Egly et al.	D6/629
5,024,168	A	6/1991	Stravitz	
D356,463	S *	3/1995	Davis et al.	D6/629
D358,523	S *	5/1995	Weisburn et al.	D6/629
D364,304	S *	11/1995	Weisburn et al.	D6/632

D365,242	S *	12/1995	Long et al.	D6/629
5,564,578	A	10/1996	Smith	
D380,331	S *	7/1997	Goguen	D6/629
D391,113	S *	2/1998	Marhefka	D6/629
5,791,748	A *	8/1998	Marhefka	312/9.48
D398,169	S *	9/1998	Inman	D6/461
D479,924	S *	9/2003	Bates	D6/455
D519,301	S	4/2006	Gardner	
D566,989	S *	4/2008	Mason	D6/461
2004/0026294	A1	2/2004	Platte, III	
2005/0082198	A1	4/2005	Batis	

* cited by examiner

Primary Examiner—Philip S Hyder

Assistant Examiner—Sydney R Buffalow

(74) *Attorney, Agent, or Firm*—David B. Tingey; Kirton & McConkie

(57) **CLAIM**

We claim the ornamental design for a storage organizer, as shown and described.

DESCRIPTION

FIG. 1 is a first end perspective view of the storage organizer; FIG. 2 is a second end perspective view of the storage organizer;

FIG. 3 is an end planar view of the storage organizer;

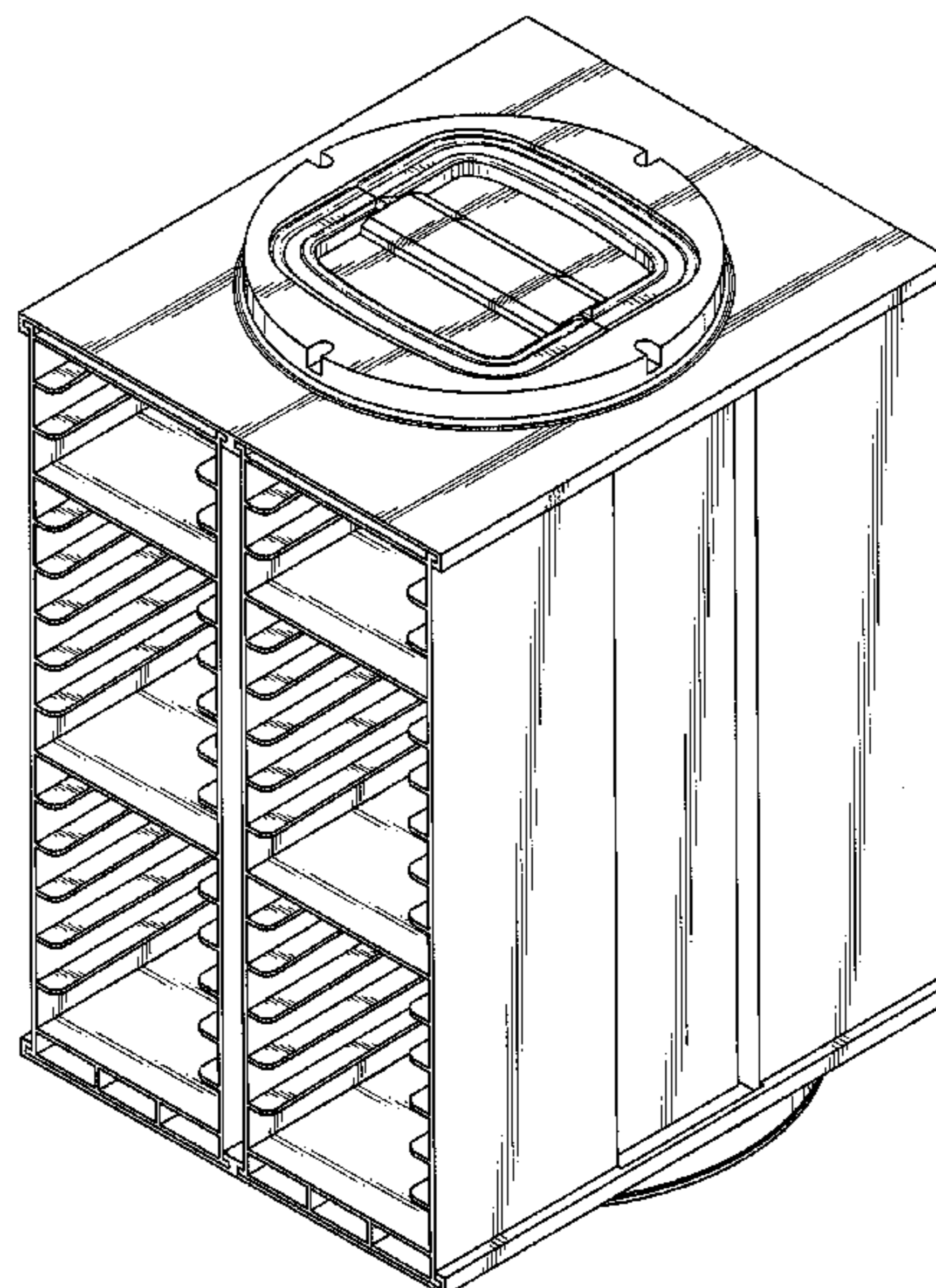
FIG. 4 is a bottom planar view of the storage organizer, wherein the broken lines illustrate portions of the design that are not claimed;

FIG. 5 is a top planar view of the storage organizer;

FIG. 6 is a first side planar view of the storage organizer; and, FIG. 7 is a second side planar view of the storage organizer.

The broken lines illustrate portions of the design that are not claimed.

1 Claim, 5 Drawing Sheets



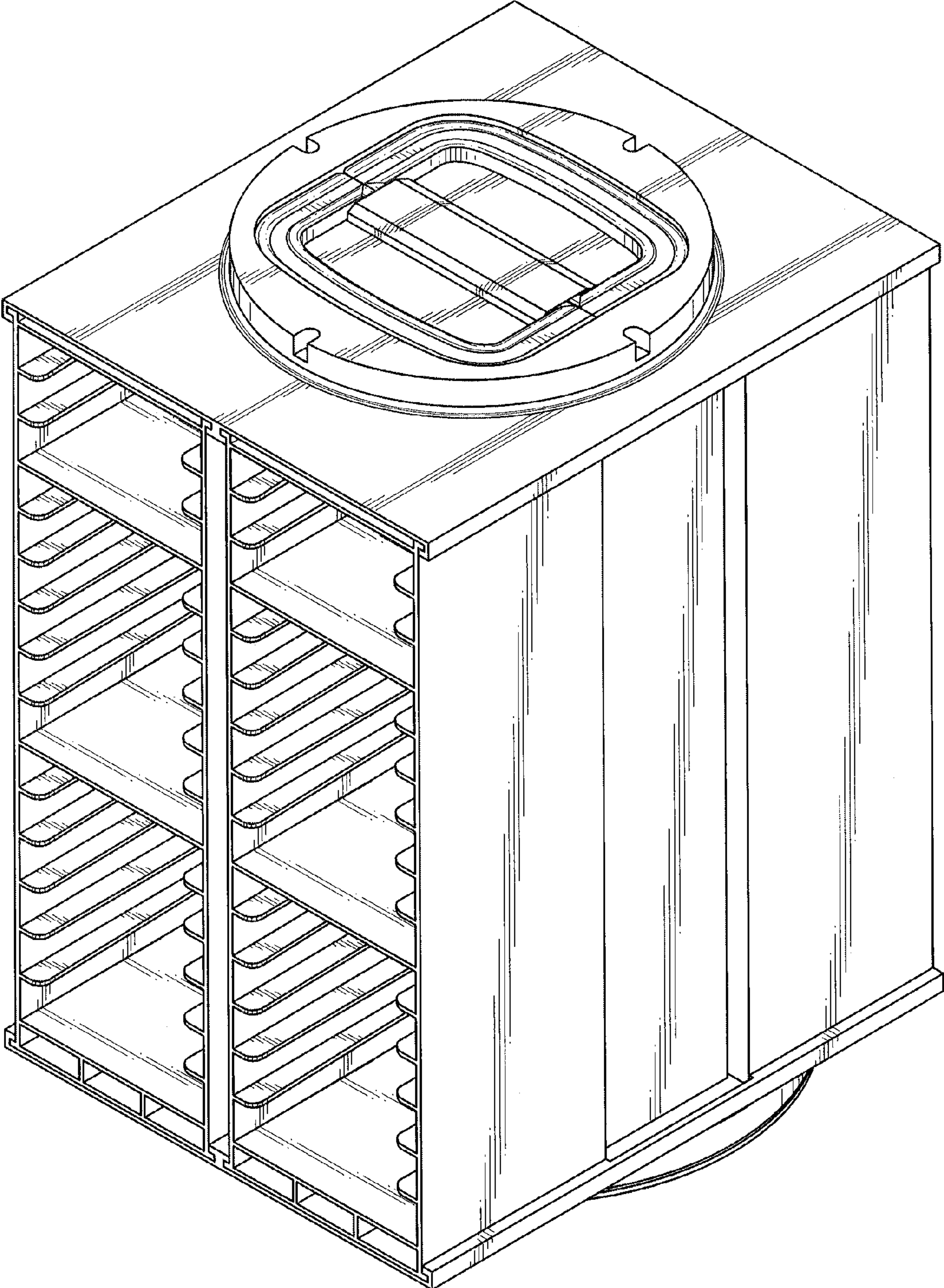


FIG. 1

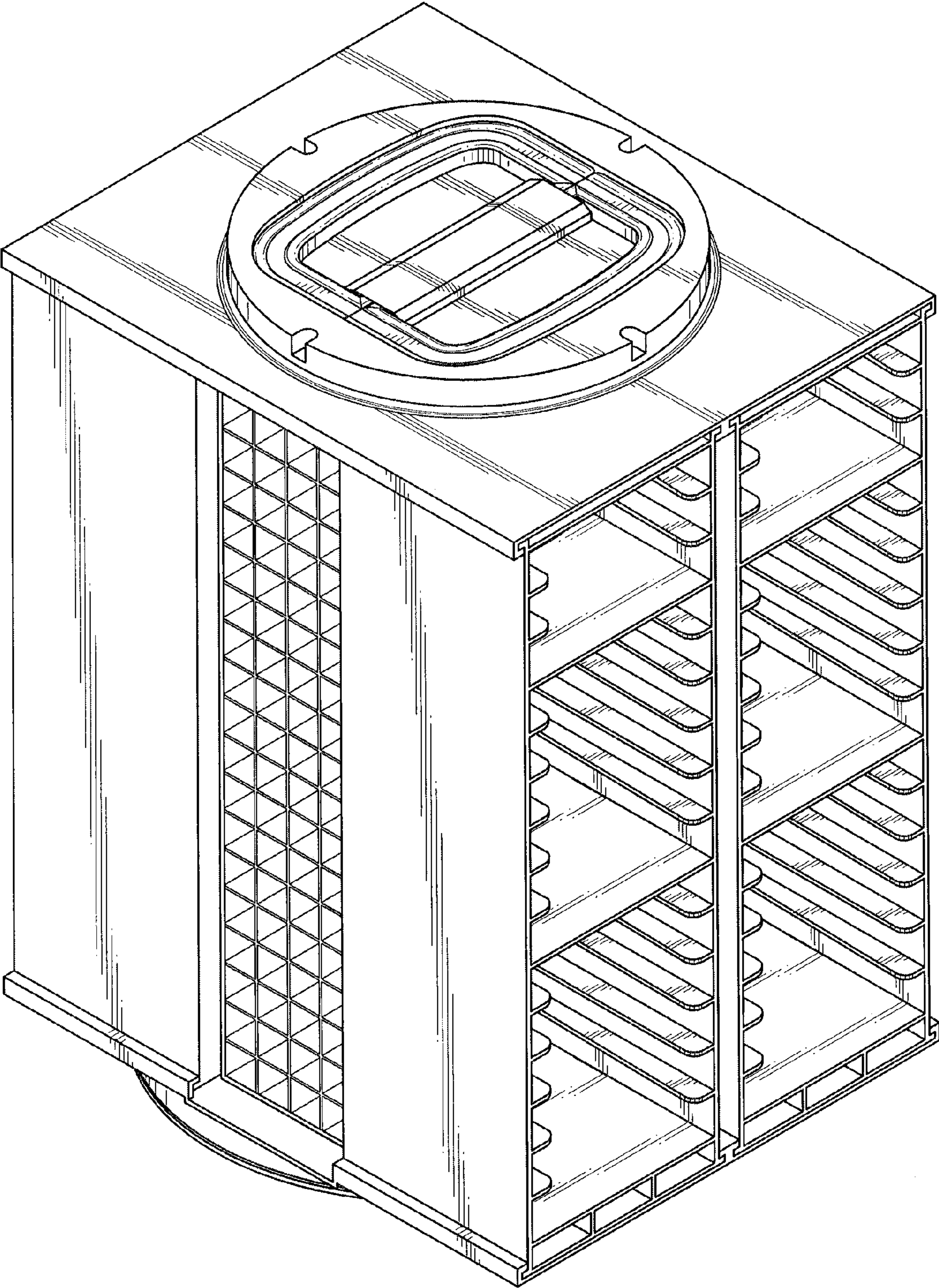


FIG. 2

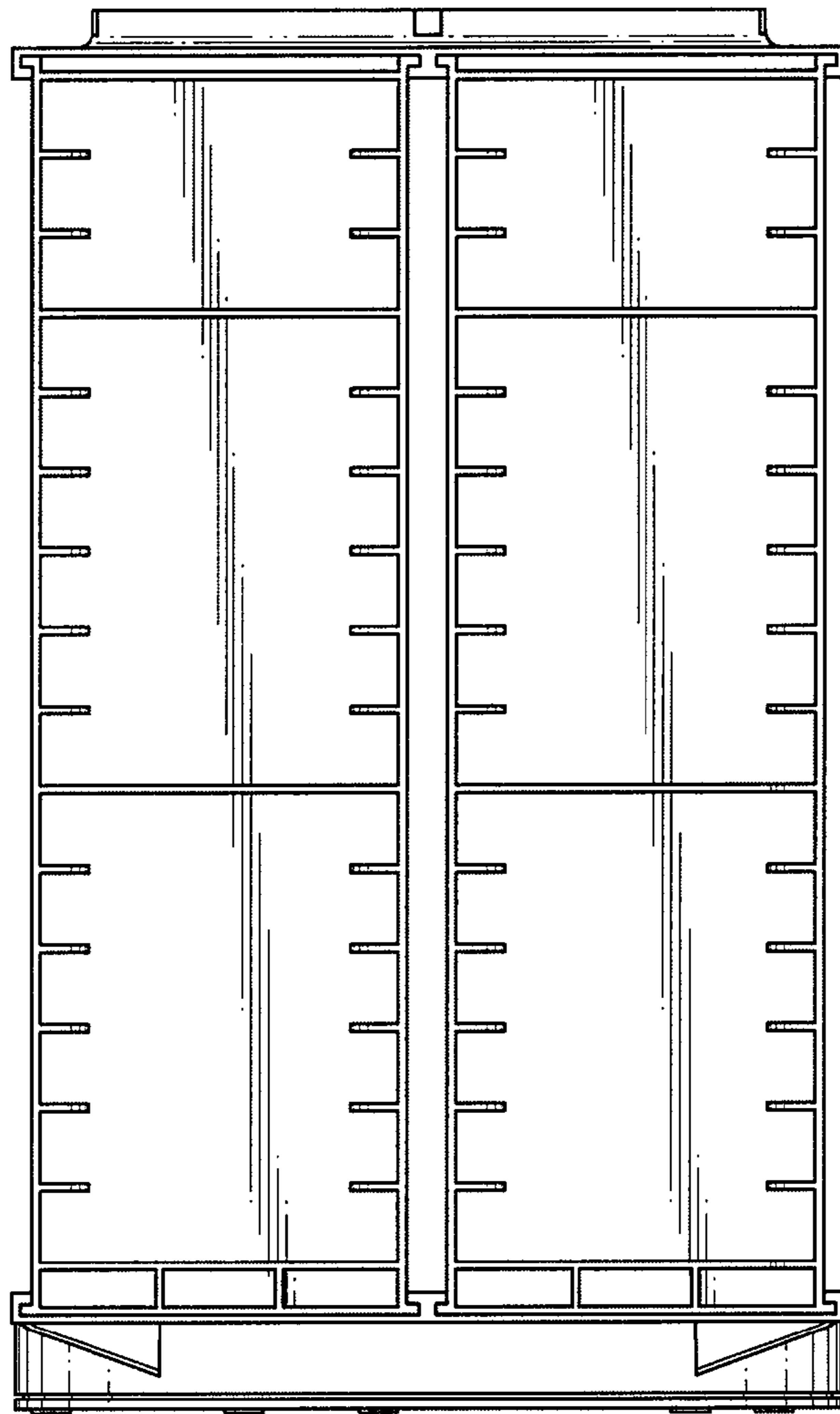


FIG. 3

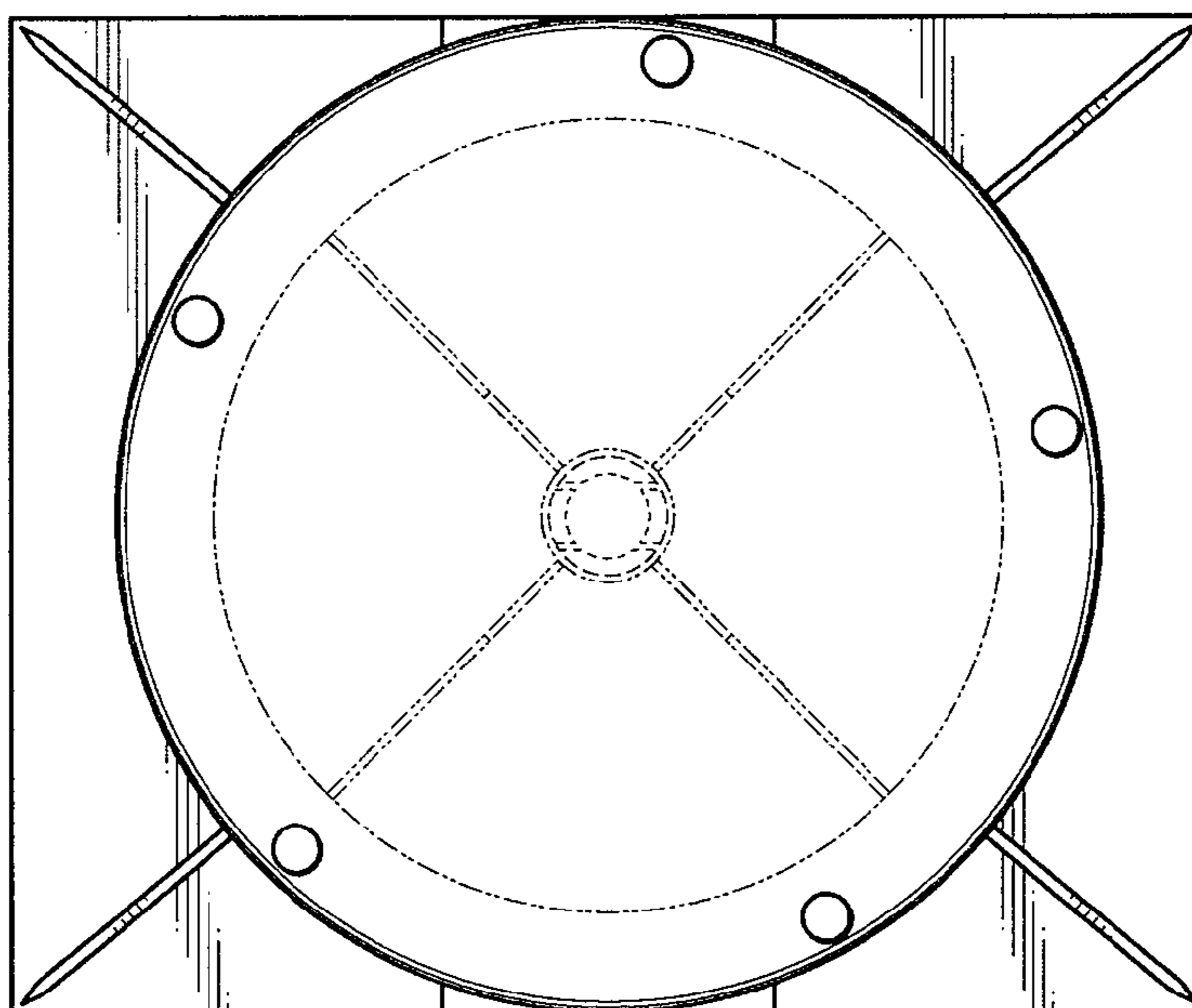


FIG. 4

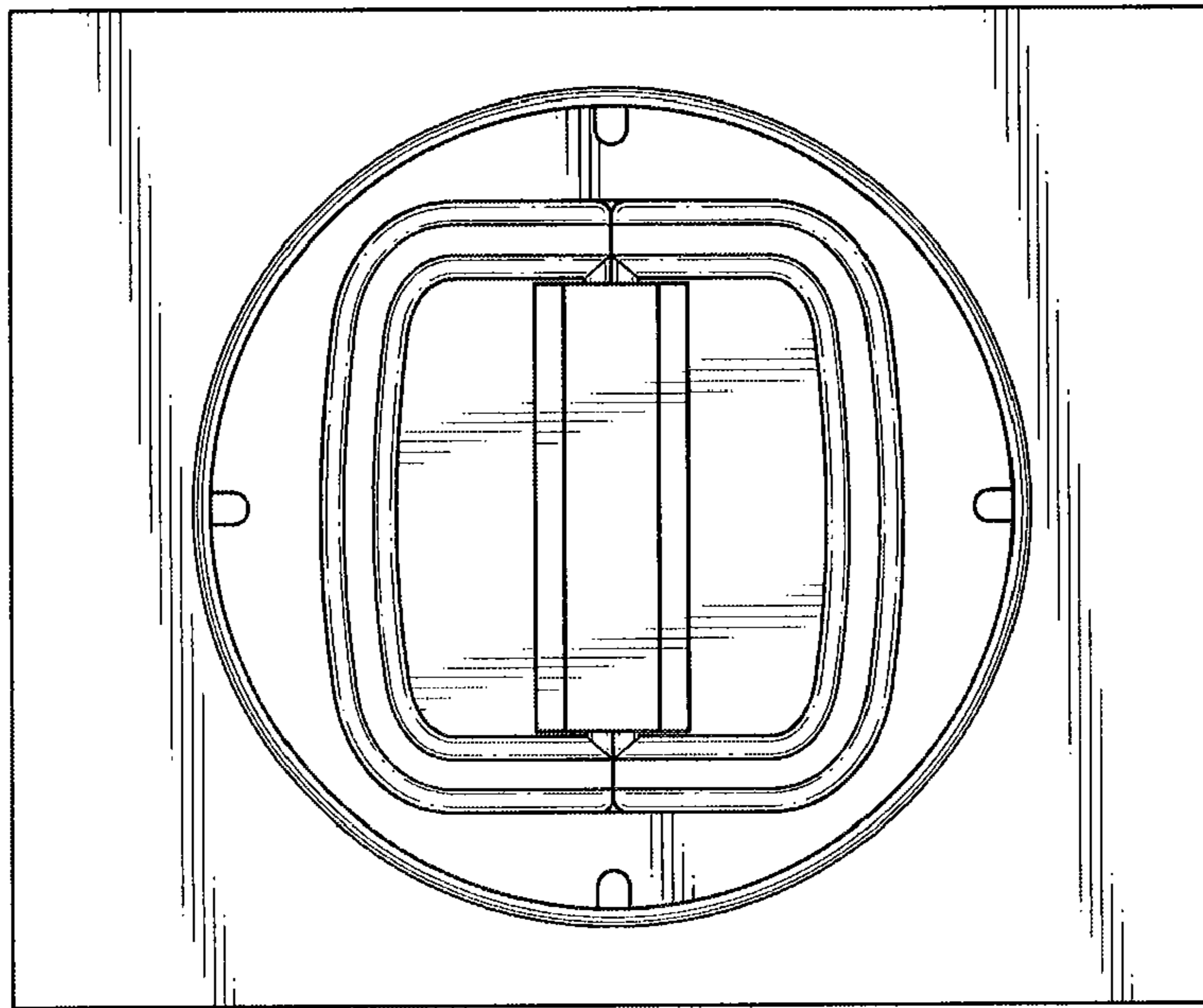


FIG. 5

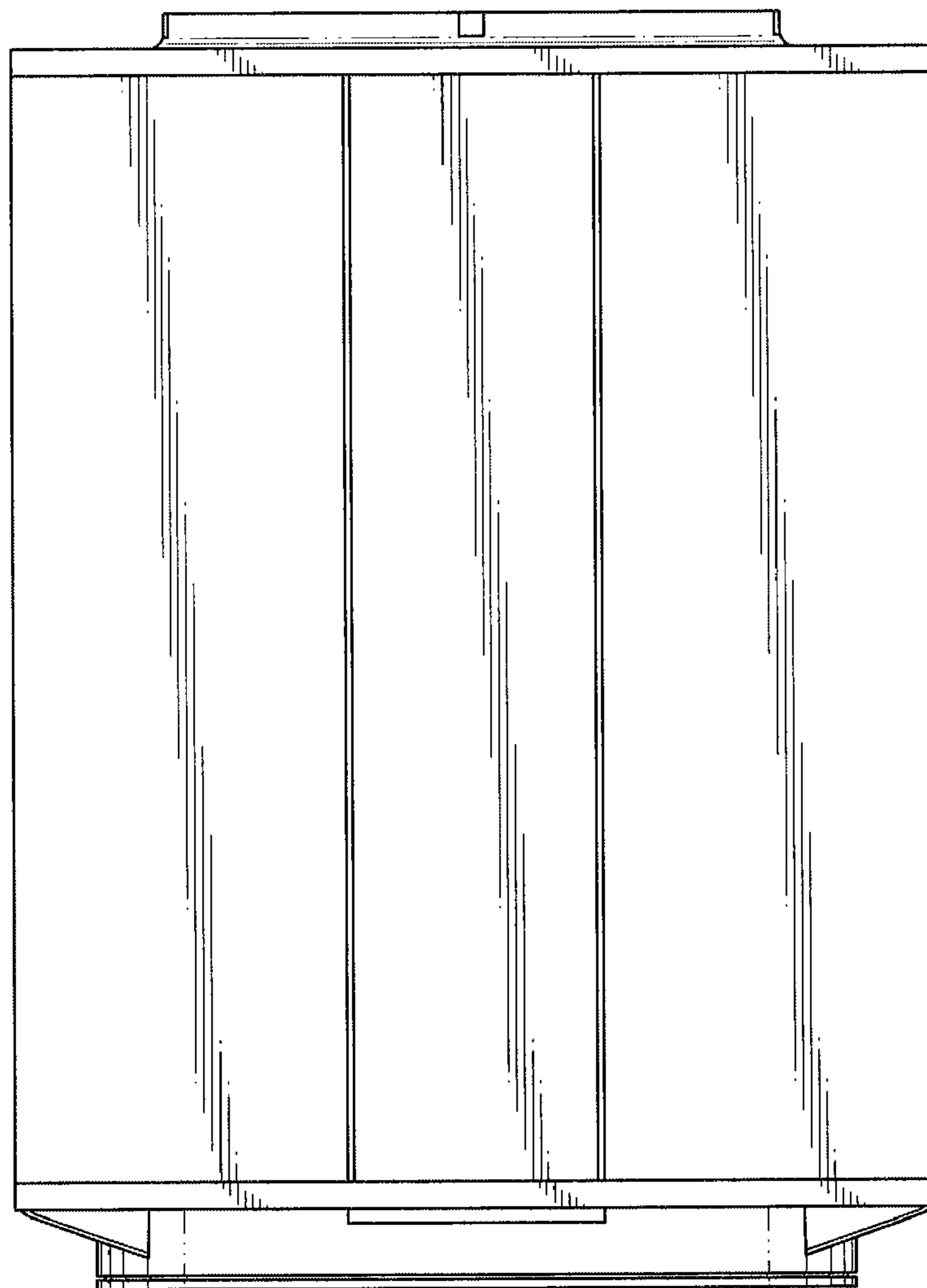


FIG. 6

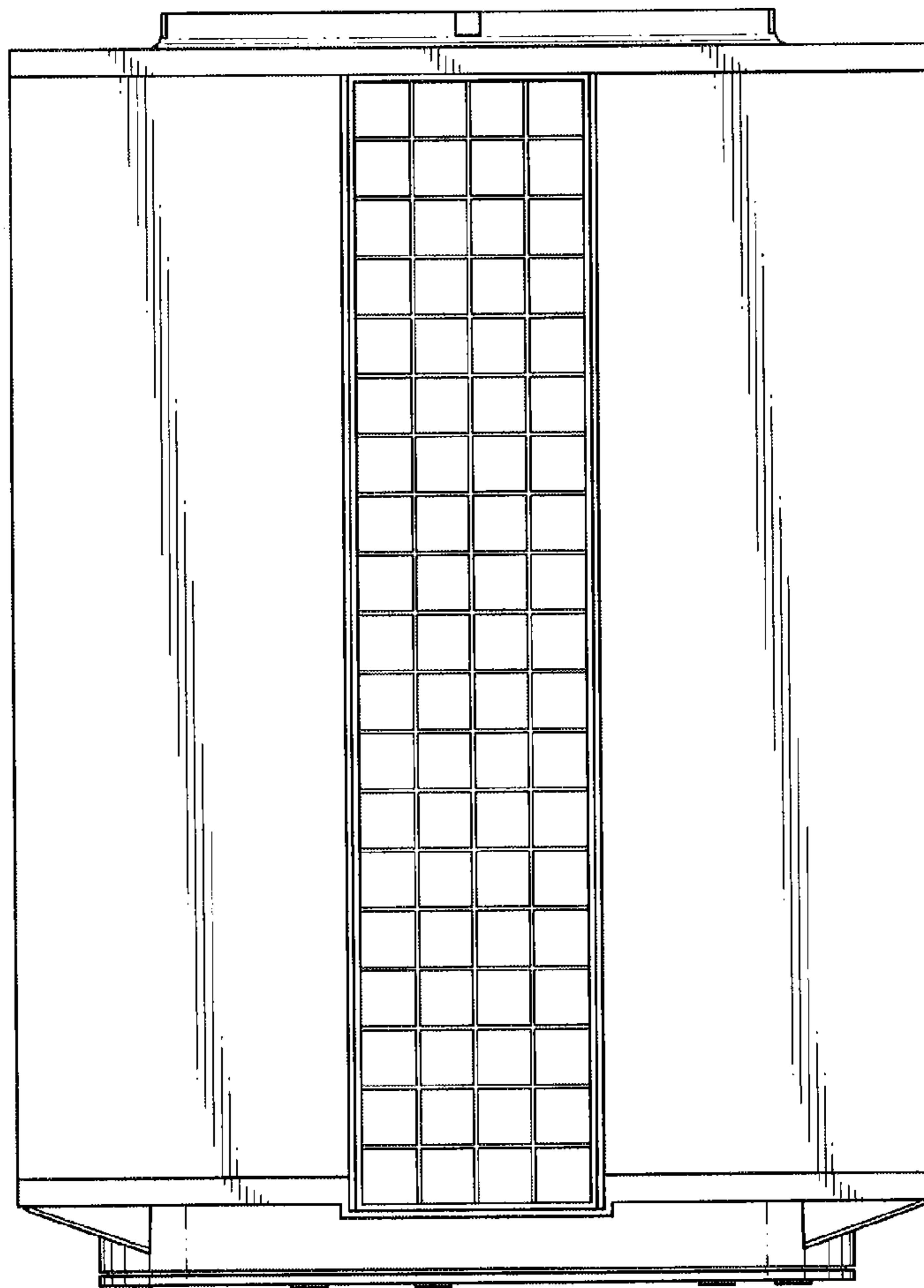


FIG. 7