



US00D610832S

(12) **United States Design Patent**
Rheault

(10) **Patent No.:** **US D610,832 S**

(45) **Date of Patent:** **** Mar. 2, 2010**

(54) **CABINET**

(75) Inventor: **Alan E. Rheault**, Grand Rapids, MI (US)

(73) Assignee: **Steelcase Inc.**, Grand Rapids, MI (US)

(**) Term: **14 Years**

(21) Appl. No.: **29/280,909**

(22) Filed: **Jun. 8, 2007**

(51) **LOC (9) Cl.** **06-04**

(52) **U.S. Cl.** **D6/436**

(58) **Field of Classification Search** D6/397,
D6/425-426, 429, 432-448, 470, 474, 477-480,
D6/484, 492-495, 509-510; D9/446; D34/14;
108/137; 211/188; 312/7.2, 107, 114, 138.1,
312/194, 204-205, 209, 224, 257.1
See application file for complete search history.

(56) **References Cited**

U.S. PATENT DOCUMENTS

1,190,170	A	7/1916	Hormes
2,489,493	A	11/1949	Kuenzie
3,015,466	A	1/1962	Levy
3,361,293	A	1/1968	Box
3,563,624	A	2/1971	Stice
3,571,987	A	3/1971	Anderson
3,653,734	A	4/1972	Ungaro
3,746,417	A	7/1973	Sasnett
3,892,452	A	7/1975	Williams et al.
3,971,605	A	7/1976	Sasnett
4,109,328	A	8/1978	Mason
4,116,509	A	9/1978	Smith
4,162,113	A	7/1979	Pallavicini
4,660,901	A	4/1987	Shimada
4,717,101	A	1/1988	Harrod
4,752,106	A	6/1988	Salvarani
4,753,055	A	6/1988	Durham, Jr.
4,758,056	A	7/1988	Buck et al.
4,974,386	A	12/1990	Eriksson et al.
5,048,698	A	9/1991	Konrad

(Continued)

Primary Examiner—Caron Veynar

Assistant Examiner—Ricky Pham

(74) *Attorney, Agent, or Firm*—Quarles & Brady, LLP

(57) **CLAIM**

The ornamental design for a cabinet, as shown and described.

DESCRIPTION

FIG. 1 is a front, left, upper perspective view of a first embodiment of a cabinet embodying my new design;

FIG. 2 is a top plan view thereof;

FIG. 3 is a rear elevational view thereof;

FIG. 4 is a front elevational view thereof;

FIG. 5 is a left side elevational view thereof, the right side elevational view being a mirror image thereof;

FIG. 6 is a front, left, upper perspective view of a second embodiment of a cabinet embodying my new design;

FIG. 7 is a front elevational view thereof;

FIG. 8 is a left side elevational view thereof, the right side elevational view being a mirror image thereof;

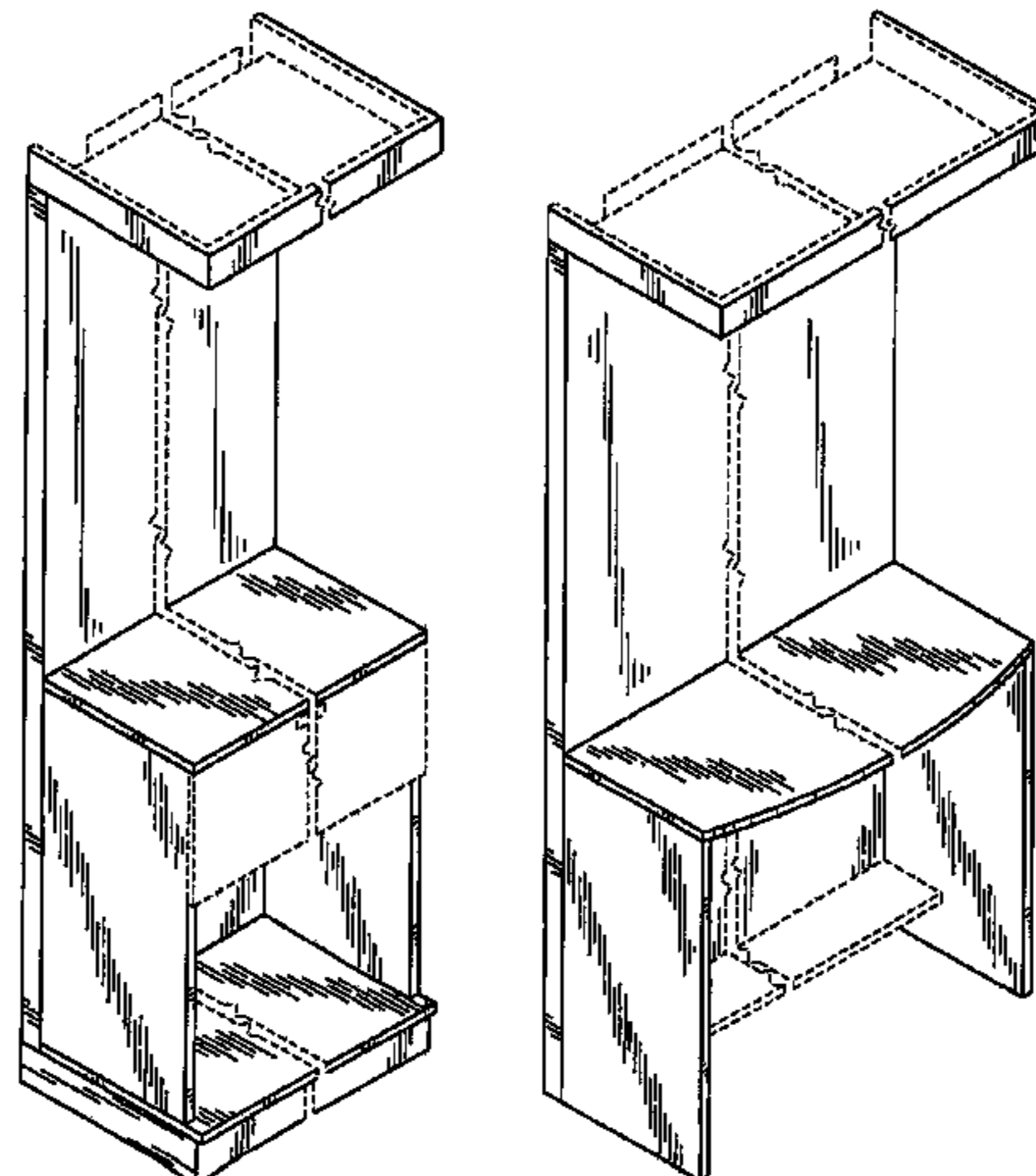
FIG. 9 is a front, left, upper perspective view of a third embodiment of a cabinet embodying my new design;

FIG. 10 is a front elevational view thereof; and,

FIG. 11 is a left side elevational view thereof, the right side elevational view being a mirror image thereof.

The broken line representations of top cabinet structure in FIGS. 1, 3, 6, 9, of rear cabinet structure in FIG. 3, of drawers in FIGS. 1, and 4, and 5 of drawer pulls in FIGS. 1 and 4 of shelving in FIGS. 6 and 7 are for the purposes of illustration only, and form no part of the claimed design. The broken away portions shown in FIGS. 1-4, 6-7 and 9-10 represent indeterminate width of the claimed design. The bottom view of the embodiments is not part of the claimed design as it is not visible in normal use.

1 Claim, 7 Drawing Sheets



US D610,832 S

Page 2

U.S. PATENT DOCUMENTS

5,086,593	A	2/1992	Valentine				
5,163,567	A	11/1992	Betts, Sr.				
5,303,057	A *	4/1994	Davidow et al.	348/836			
D354,638	S *	1/1995	Todd et al.		D6/433		
5,394,658	A	3/1995	Schreiner et al.				
5,466,058	A	11/1995	Chan				
5,486,041	A	1/1996	Sykes				
5,720,547	A	2/1998	Baird				
5,754,995	A	5/1998	Behrendt				
5,855,422	A	1/1999	Naef				
5,860,839	A	1/1999	Hall				
5,884,784	A	3/1999	Betts, Sr.				
5,947,569	A *	9/1999	Rheault et al.	312/194			
6,230,909	B1 *	5/2001	Suter	211/188			
6,283,563	B1 *	9/2001	Lambright et al.	312/205			
6,405,491	B1	6/2002	Gallant				
6,443,316	B1	9/2002	Mao				
6,647,652	B1	11/2003	Seiber et al.				
D487,853	S *	3/2004	Woods		D6/436		
D498,609	S *	11/2004	Juneau et al.		D6/436		
D499,577	S *	12/2004	Willy		D6/436		
6,830,299	B2	12/2004	Henriott et al.				
D501,284	S *	1/2005	Mount		D34/14		
6,877,824	B2	4/2005	Winkless				
D522,772	S *	6/2006	O'Reilly		D6/436		
7,100,999	B2	9/2006	Stravitz				
7,174,678	B2	2/2007	Gallant				
7,204,714	B2	4/2007	Walker et al.				
7,246,561	B2 *	7/2007	Weatherly	108/137			
D568,631	S *	5/2008	Martin et al.		D6/436		
D587,033	S *	2/2009	Martin et al.		D6/436		
D590,630	S *	4/2009	Singler et al.		D6/432		
D590,643	S *	4/2009	Domack et al.		D6/509		
D591,078	S *	4/2009	Singler et al.		D6/432		
D591,974	S *	5/2009	Singler et al.		D6/432		
D592,422	S *	5/2009	Rheault		D6/436		
7,562,949	B1 *	7/2009	Nielsen	312/7.2			
2004/0222721	A1	11/2004	Kelley et al.				
2005/0279033	A1	12/2005	Faber et al.				
2007/0170823	A1	7/2007	Stannis et al.				

* cited by examiner

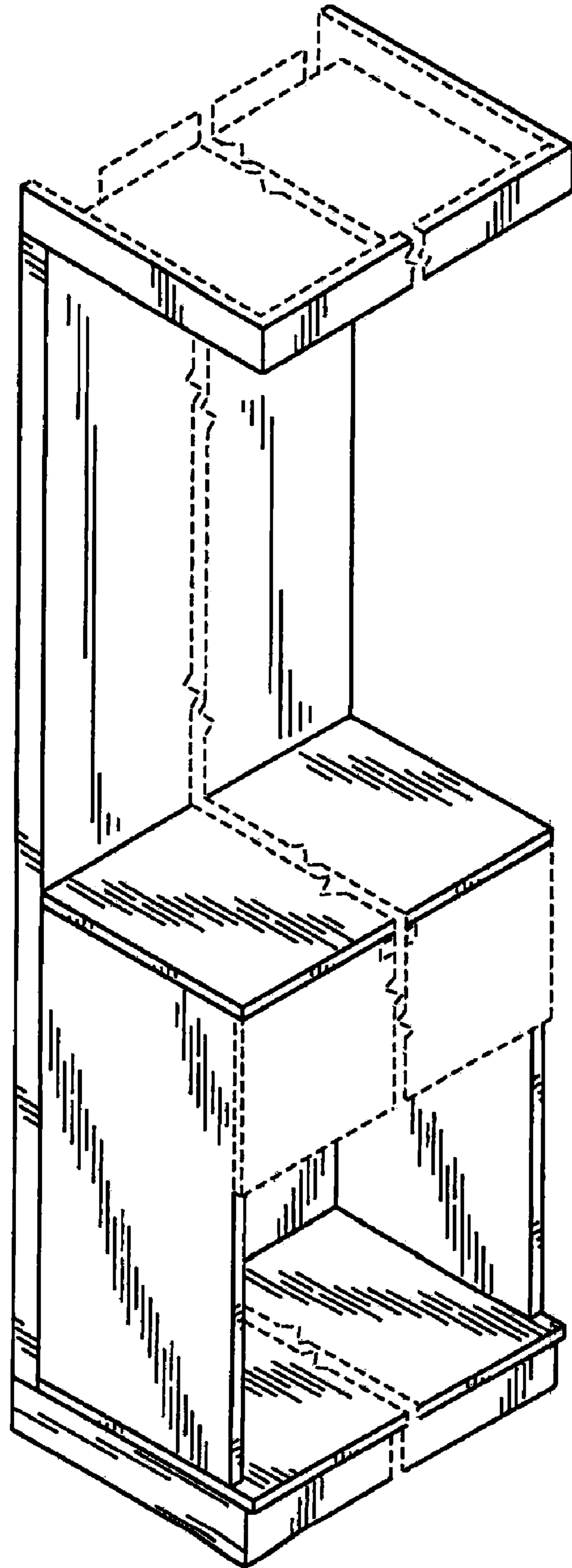


FIG. 1

FIG. 2

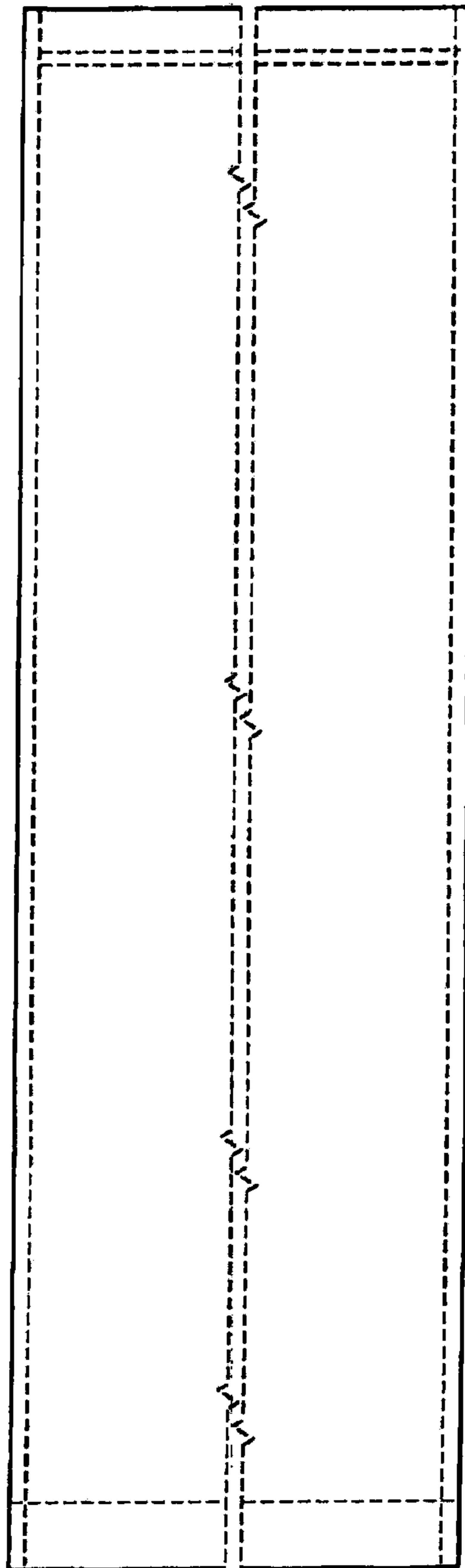
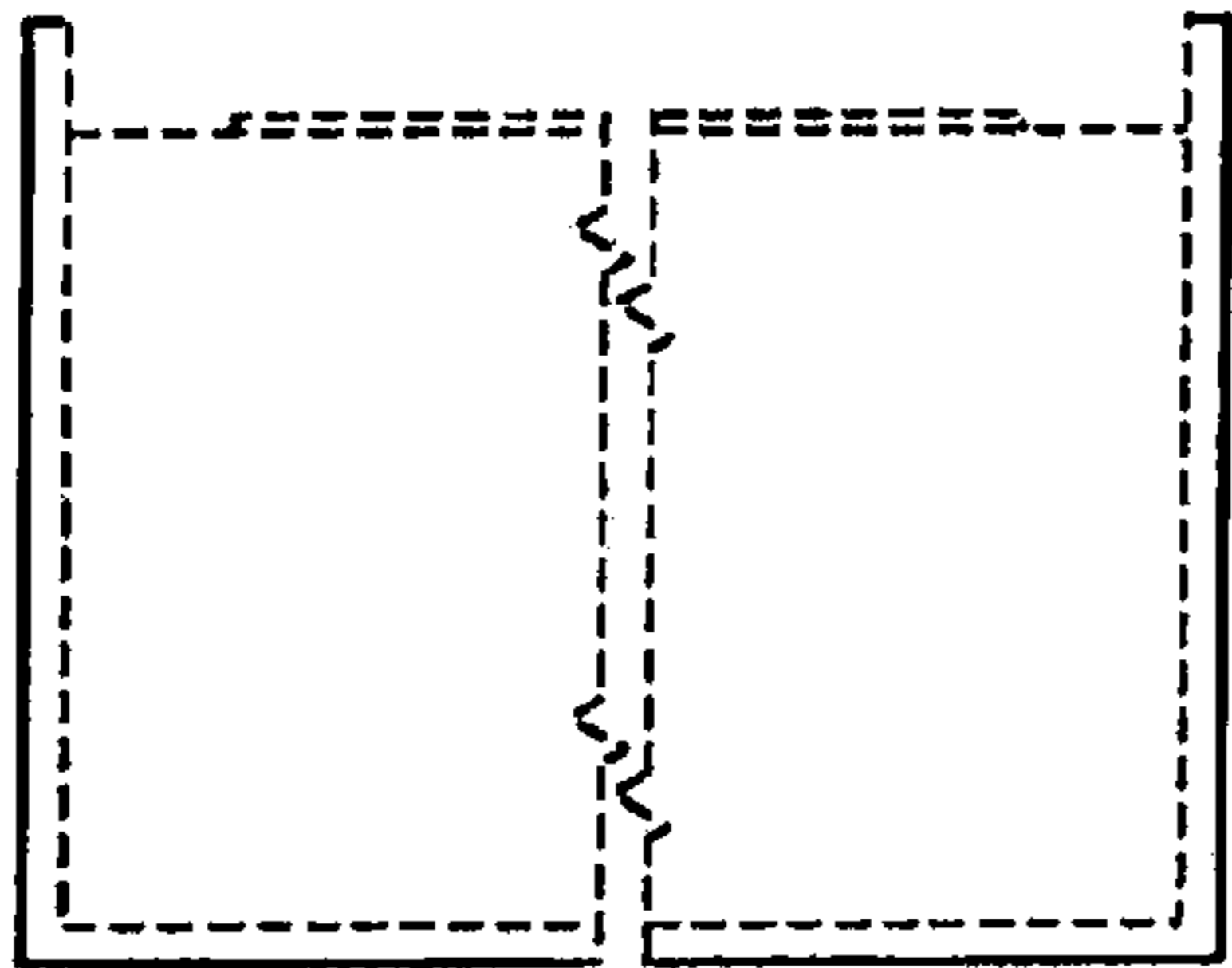


FIG. 3

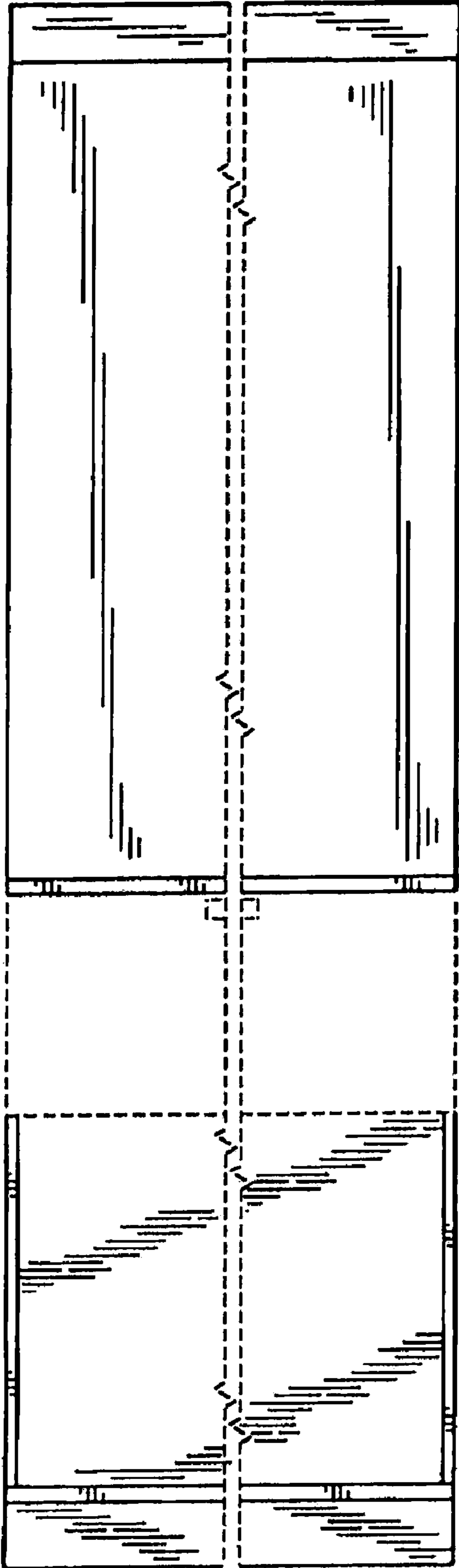


FIG. 4

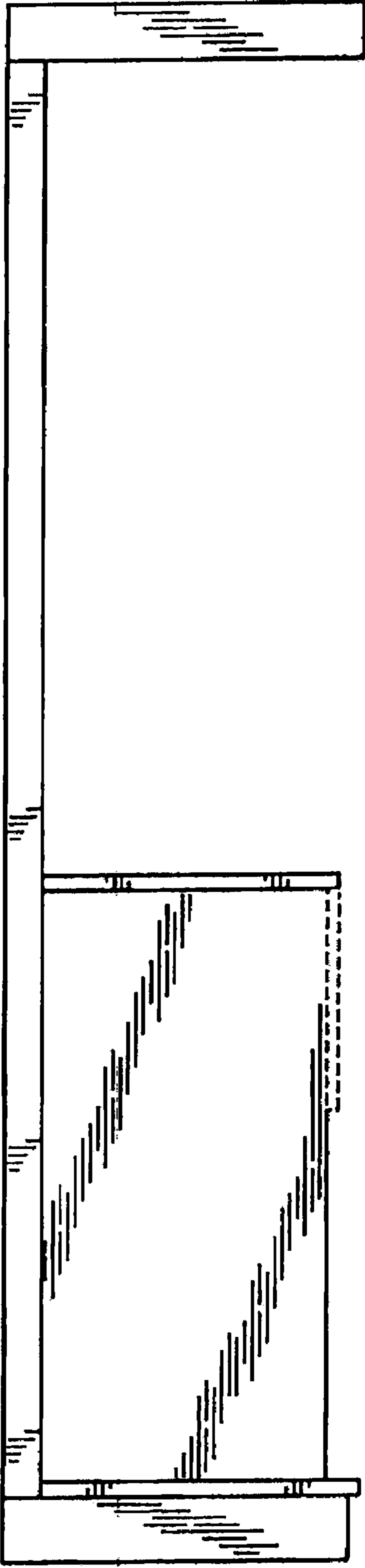


FIG. 5

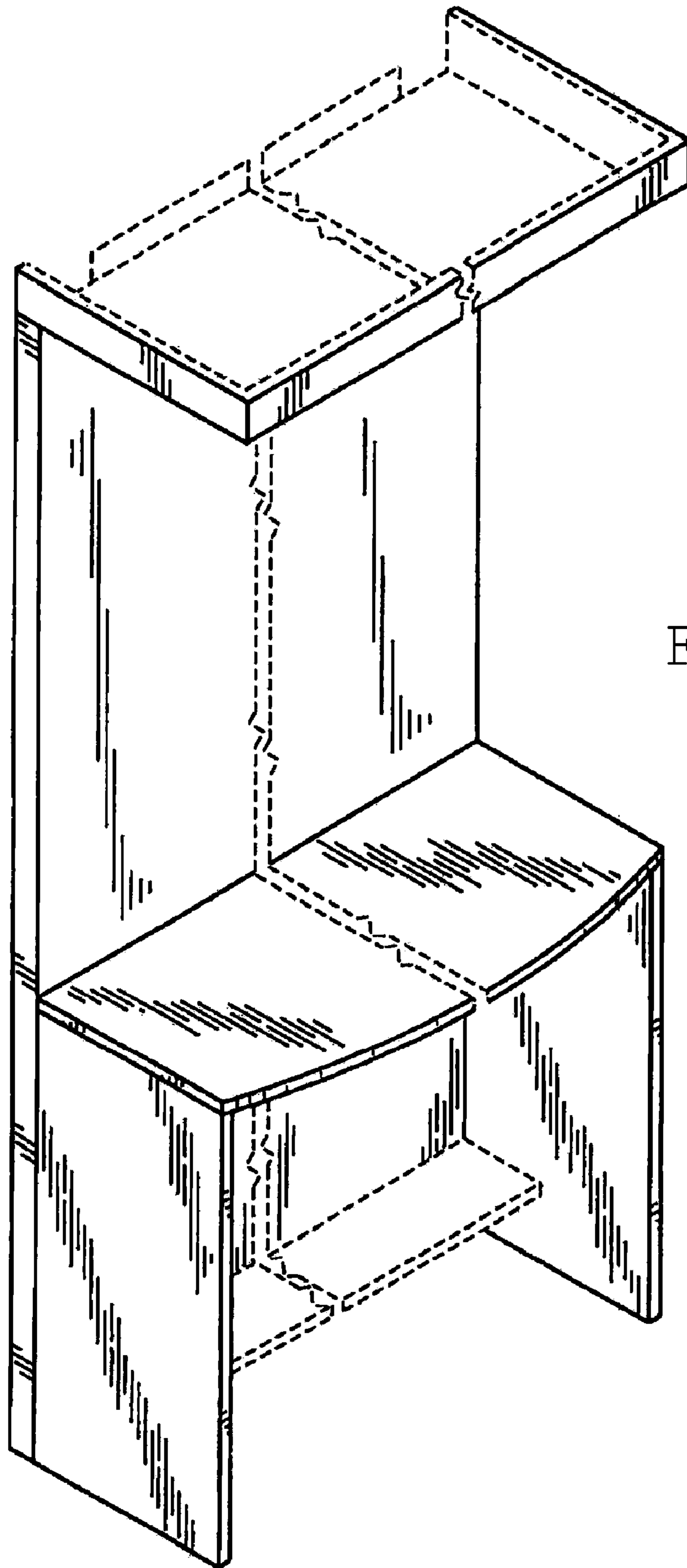


FIG. 6

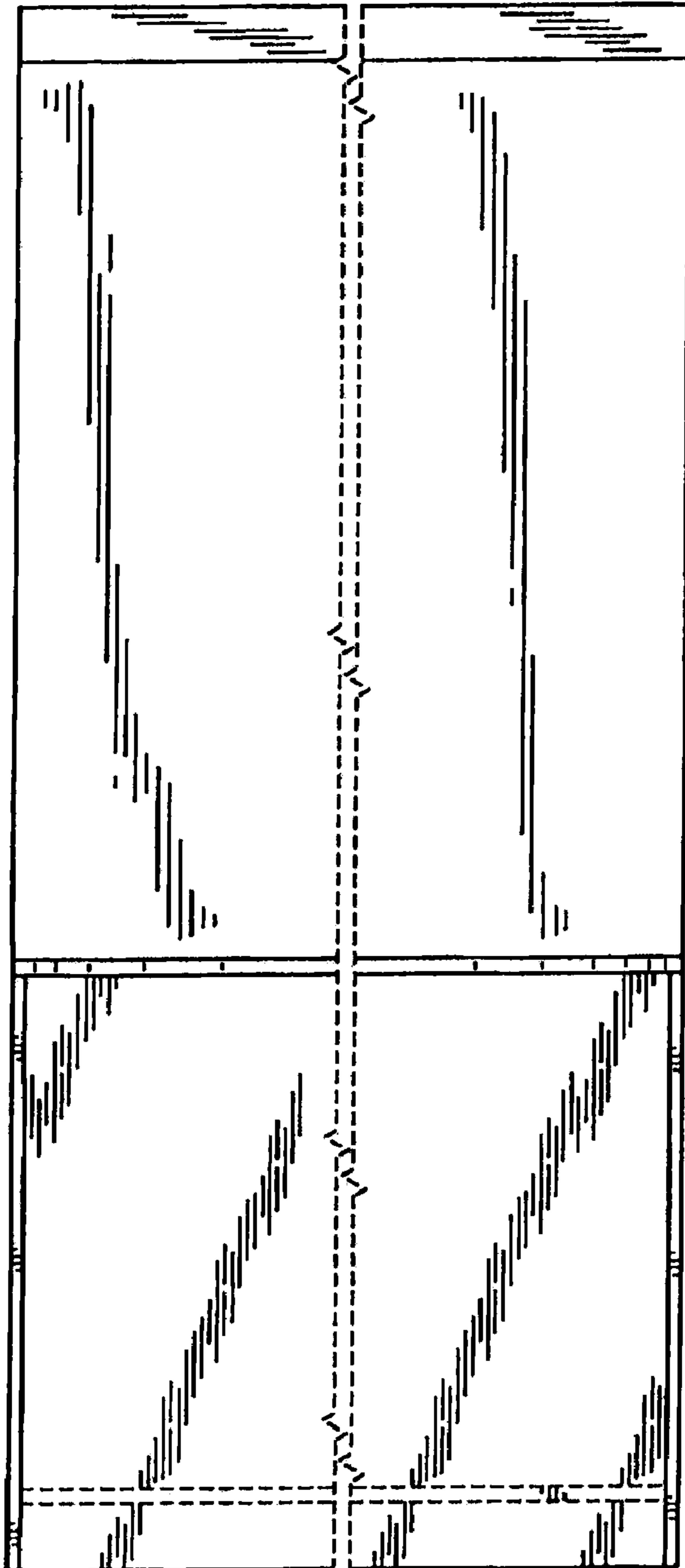


FIG. 7

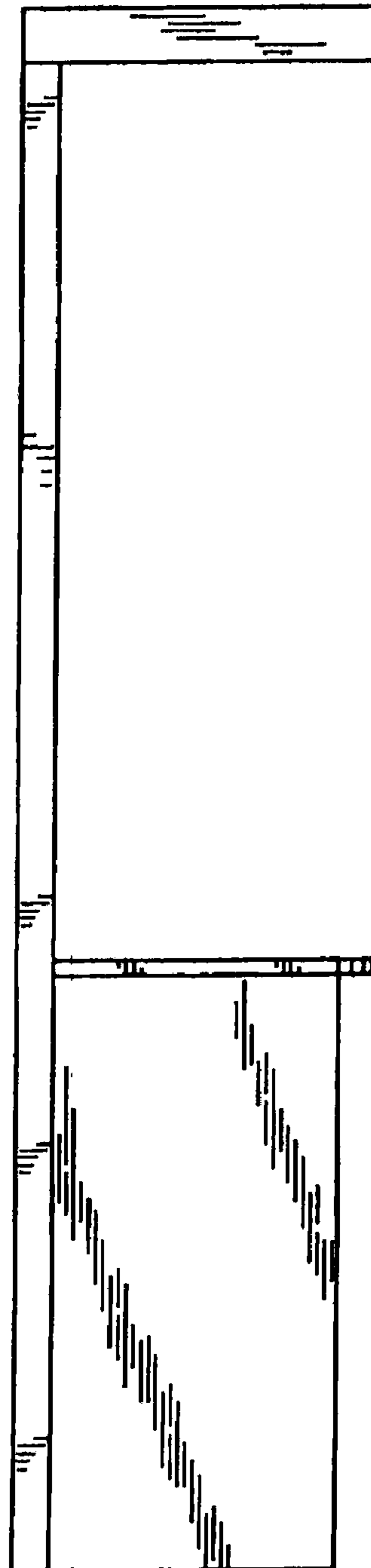


FIG. 8

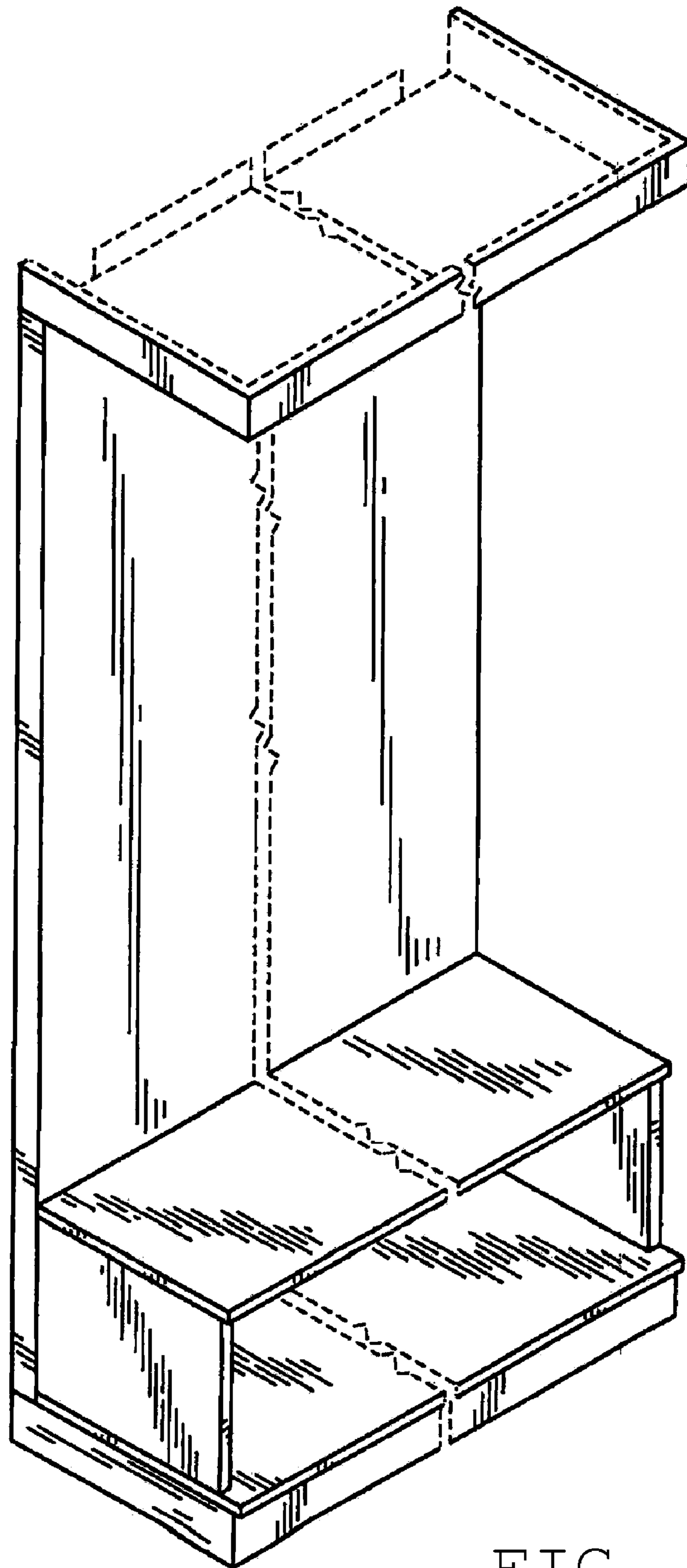


FIG. 9

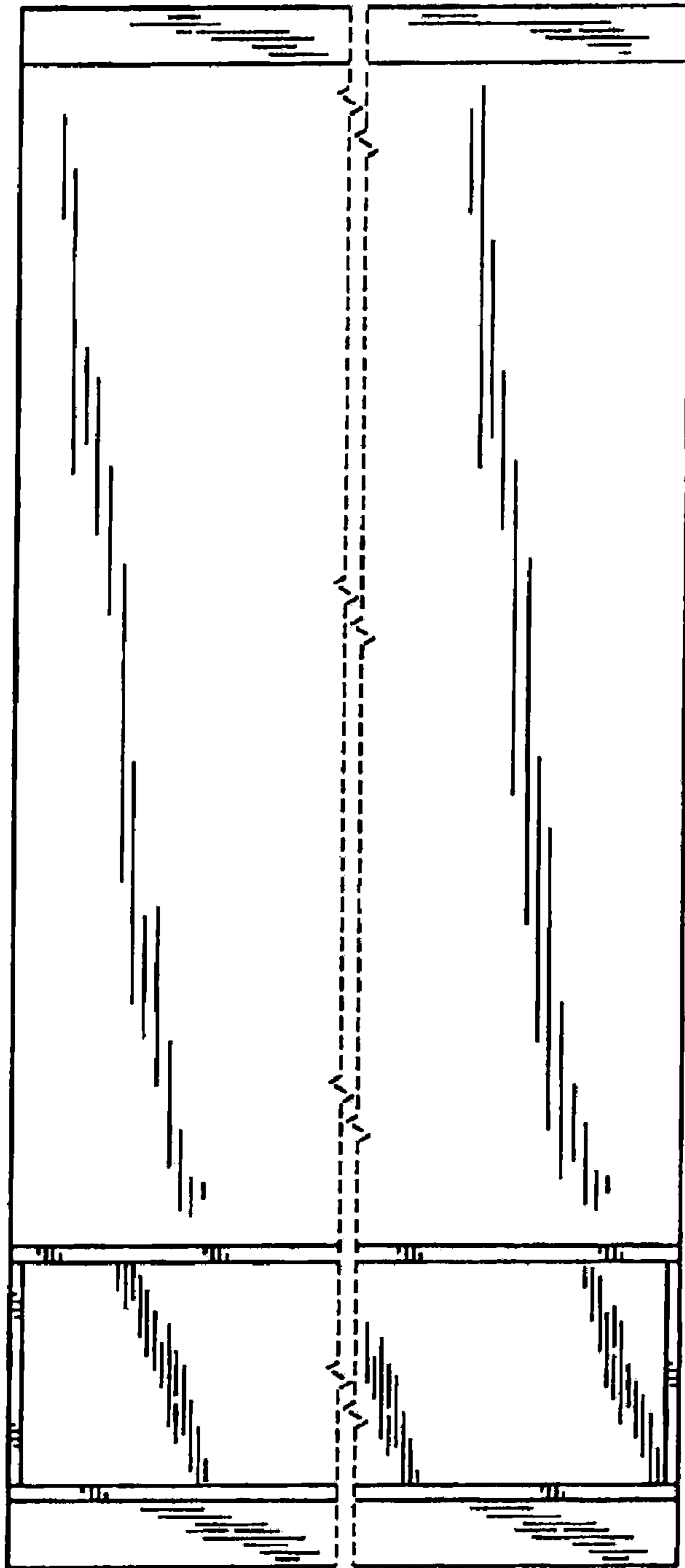


FIG. 10

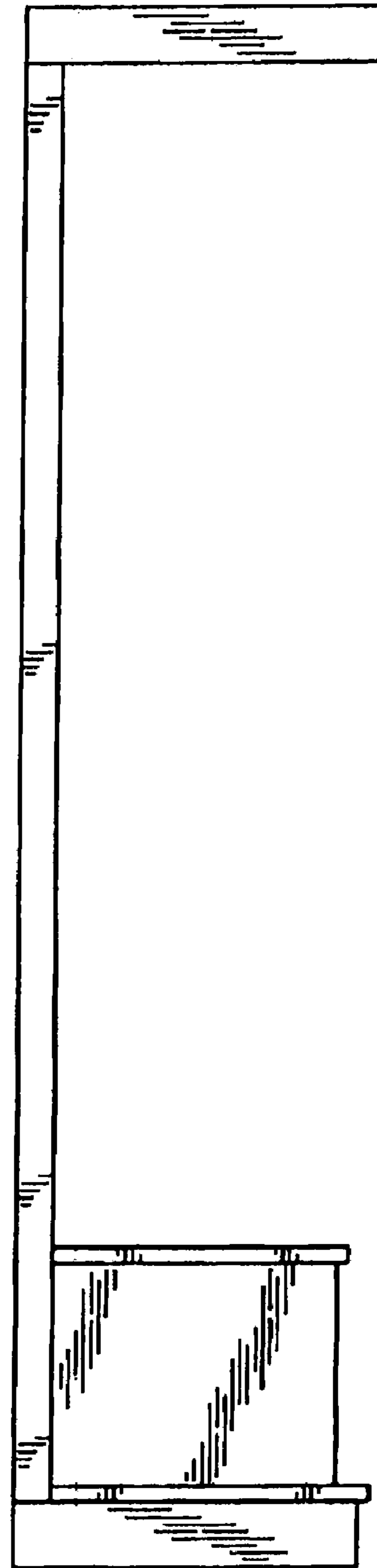


FIG. 11