



US00D610831S

(12) **United States Design Patent**
Hand

(10) **Patent No.:** **US D610,831 S**
(45) **Date of Patent:** **** *Mar. 2, 2010**

(54) **TOOL CABINET**

(75) Inventor: **Jim Hand**, Glen Ellyn, IL (US)

(73) Assignee: **Waterloo Industries, Inc.**, Oak Creek, WI (US)

(*) Notice: This patent is subject to a terminal disclaimer.

(**) Term: **14 Years**

(21) Appl. No.: **29/273,769**

(22) Filed: **Mar. 13, 2007**

Related U.S. Application Data

(63) Continuation of application No. 29/270,016, filed on Dec. 13, 2006, now Pat. No. Des. 584,903.

(51) **LOC (9) Cl.** **06-04**

(52) **U.S. Cl.** **D6/400; D3/297; D3/905; D3/318; D3/492; D6/445**

(58) **Field of Classification Search** D3/260, D3/272-275, 276, 283, 294-297, 318, 321-322, D3/903, 905; D6/335, 396-397, 400, 432-448, D6/491, 509-510; D8/313; D32/25; D34/12; 206/349, 372-373, 376-379; 312/107, 117, 312/125, 204, 209, 224, 249.1, 249.8, 249.11, 312/249.12, 257.1, 280-282, 308, 332.1, 312/351, 902; 361/695

See application file for complete search history.

(56) **References Cited**

U.S. PATENT DOCUMENTS

D182,558 S 4/1958 Willman
D205,522 S 8/1966 Doman
D218,080 S 7/1970 Sierzega

D229,262 S 11/1973 Pearson
4,120,549 A 10/1978 Bureau
D283,769 S * 5/1986 Cohn D6/446
4,811,999 A * 3/1989 Remington et al. 312/249.8
D327,967 S 7/1992 Hikawa
D341,253 S 11/1993 Ballman et al.
5,281,020 A 1/1994 Romick
5,332,305 A 7/1994 Slivon et al.

(Continued)

Primary Examiner—Caron Veynar

Assistant Examiner—Ricky Pham

(74) *Attorney, Agent, or Firm*—Calfee, Halter & Griswold LLP

(57) **CLAIM**

I claim the ornamental design for a tool cabinet, as shown and described.

DESCRIPTION

FIG. 1 is a perspective view of a tool cabinet of the new design;

FIG. 2 is a front elevation view of the tool cabinet of FIG. 1;

FIG. 3 is a rear view of the tool cabinet of FIG. 1;

FIG. 4 is a left side view of the tool cabinet of FIG. 1;

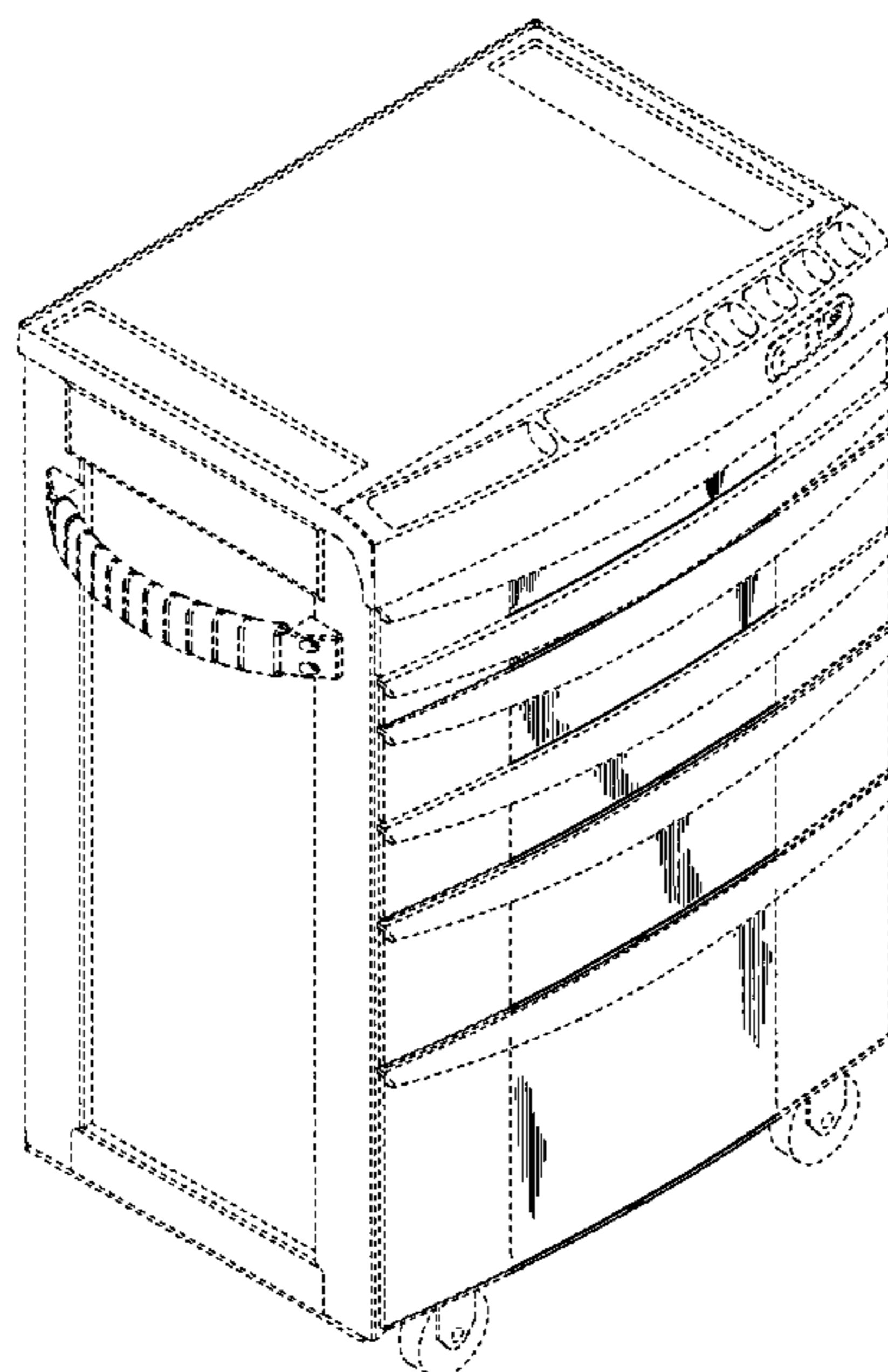
FIG. 5 is a right side view of the tool cabinet of FIG. 1;

FIG. 6 is a top view of the tool cabinet of FIG. 1; and,

FIG. 7 is a bottom view of the tool cabinet of FIG. 1.

The phantom lines at the rear edge of the claimed subject matter indicate boundary of claimed design. All other phantom lines are shown in the drawings for illustrative purposes only and form no part of the claimed design.

1 Claim, 6 Drawing Sheets



US D610,831 S

Page 2

U.S. PATENT DOCUMENTS

D356,703 S	3/1995	Dickinson		D504,260 S	4/2005	Arceta	
5,443,311 A	8/1995	Kadlecek et al.		D505,237 S	5/2005	Schmidt et al.	
D361,910 S	9/1995	Maple et al.		D506,090 S	6/2005	Ben-Or	
5,482,162 A	1/1996	Dickinson		D510,830 S *	10/2005	Brandon	D6/510
5,497,878 A	3/1996	Sandonato		D514,854 S	2/2006	Schmidt et al.	
D370,342 S	6/1996	Gwyther		D517,805 S	3/2006	Hosking	
D370,572 S	6/1996	Lin		D520,264 S *	5/2006	Mehmen et al.	D6/441
D372,378 S	8/1996	Kruger		D520,784 S	5/2006	Schmidt et al.	
5,607,214 A	3/1997	Pierce et al.		7,048,347 B1 *	5/2006	Liu	312/332.1
D381,166 S	7/1997	Bonazza		D526,782 S	8/2006	Hosking	
D385,722 S	11/1997	Yemini		D536,202 S *	2/2007	Mehmen et al.	D6/509
D386,626 S	11/1997	Yemini		D538,997 S	3/2007	Schlembach	
5,720,535 A	2/1998	Mehman		D544,259 S	6/2007	Schmidt et al.	
D393,541 S	4/1998	Calmeise		D547,160 S	7/2007	Hand et al.	
5,857,757 A	1/1999	Bieker et al.		D549,408 S *	8/2007	Lee	D32/25
D423,817 S *	5/2000	Holcomb et al.	D6/445	D554,370 S *	11/2007	Hand	D3/297
D423,818 S	5/2000	Holcomb et al.		D554,864 S *	11/2007	Hand	D3/297
D427,807 S	7/2000	Holcomb et al.		D560,079 S *	1/2008	Mehmen	D6/441
6,109,709 A	8/2000	Holcomb et al.		D563,103 S *	3/2008	Hand	D3/297
D430,426 S	9/2000	Bieker et al.		D563,119 S *	3/2008	Malley et al.	D6/445
D431,934 S *	10/2000	Chinini	D6/446	D563,120 S *	3/2008	Malley et al.	D6/445
6,176,559 B1	1/2001	Tiramani et al.		D566,396 S *	4/2008	Hand	D3/297
D448,168 S	9/2001	Johnston		D568,078 S	5/2008	Kohagen et al.	
D449,181 S	10/2001	Story et al.		D568,608 S *	5/2008	Hand	D3/297
D453,074 S	1/2002	Johnston		D573,792 S *	7/2008	Hand	D3/297
6,347,847 B1	2/2002	Tiramani et al.		D577,523 S *	9/2008	Mehmen	D6/509
D455,902 S	4/2002	Wolf		2002/0030425 A1	3/2002	Tiramani et al.	
D457,704 S	5/2002	Fiscus et al.		2002/0074905 A1	6/2002	Tiramani et al.	
D461,067 S *	8/2002	Frank et al.	D6/446	2006/0103278 A1 *	5/2006	Bousquet	312/332.1
D470,687 S	2/2003	Binse et al.		2007/0063624 A1 *	3/2007	Liao	312/282
D477,724 S	7/2003	Bishop		2007/0228903 A1 *	10/2007	Liu	312/280
				2007/0274042 A1 *	11/2007	Jackson et al.	361/695

* cited by examiner

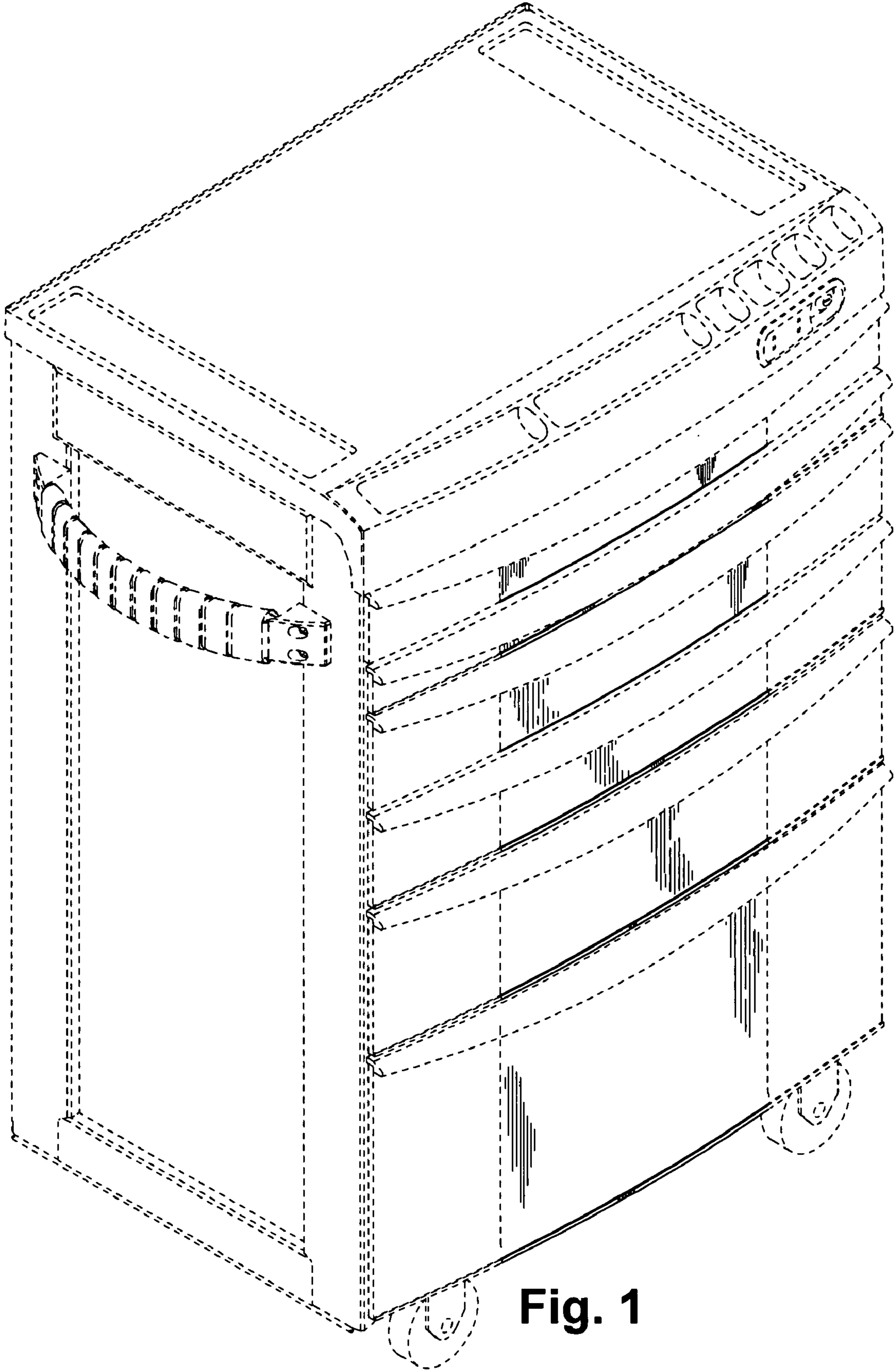


Fig. 1

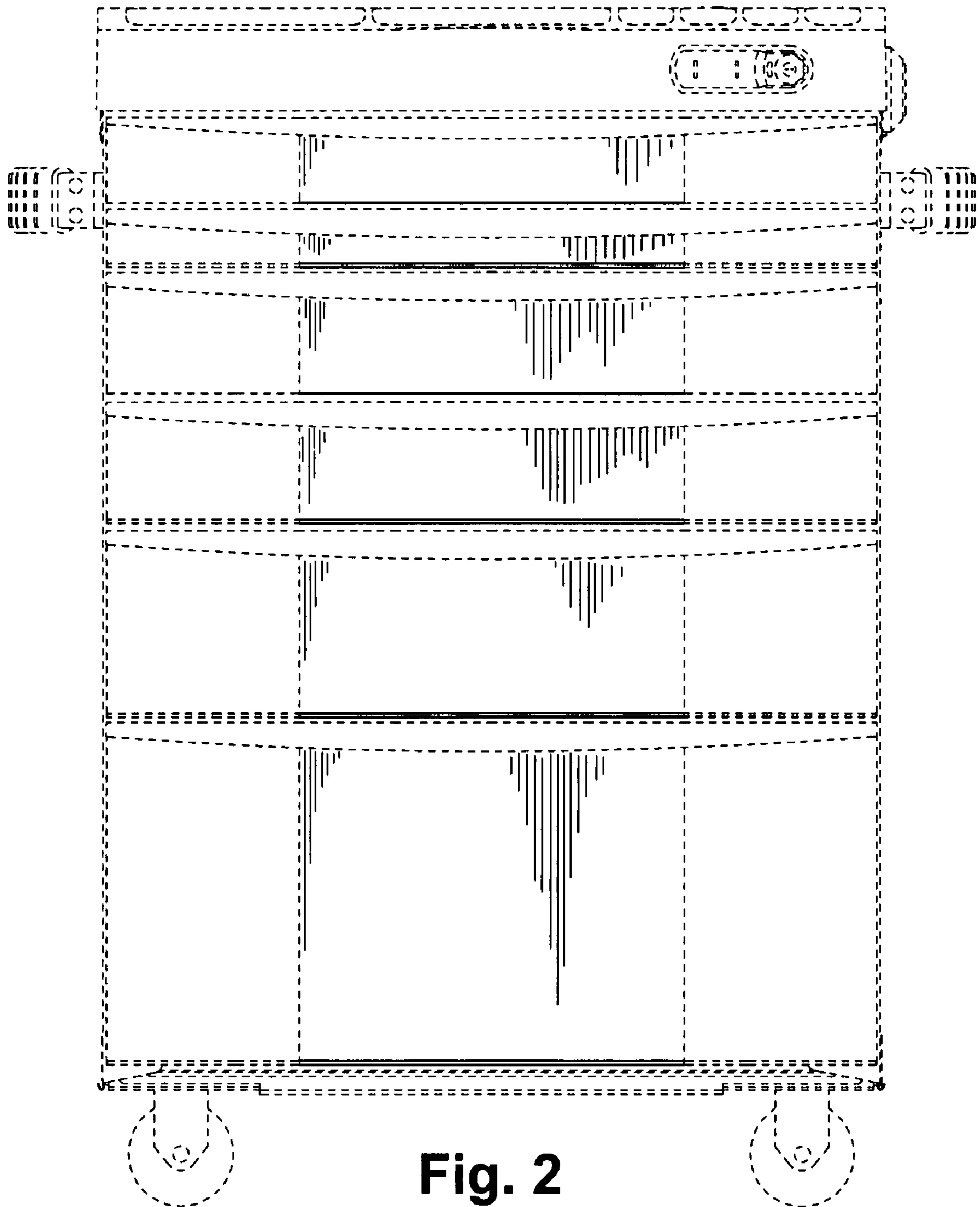


Fig. 2

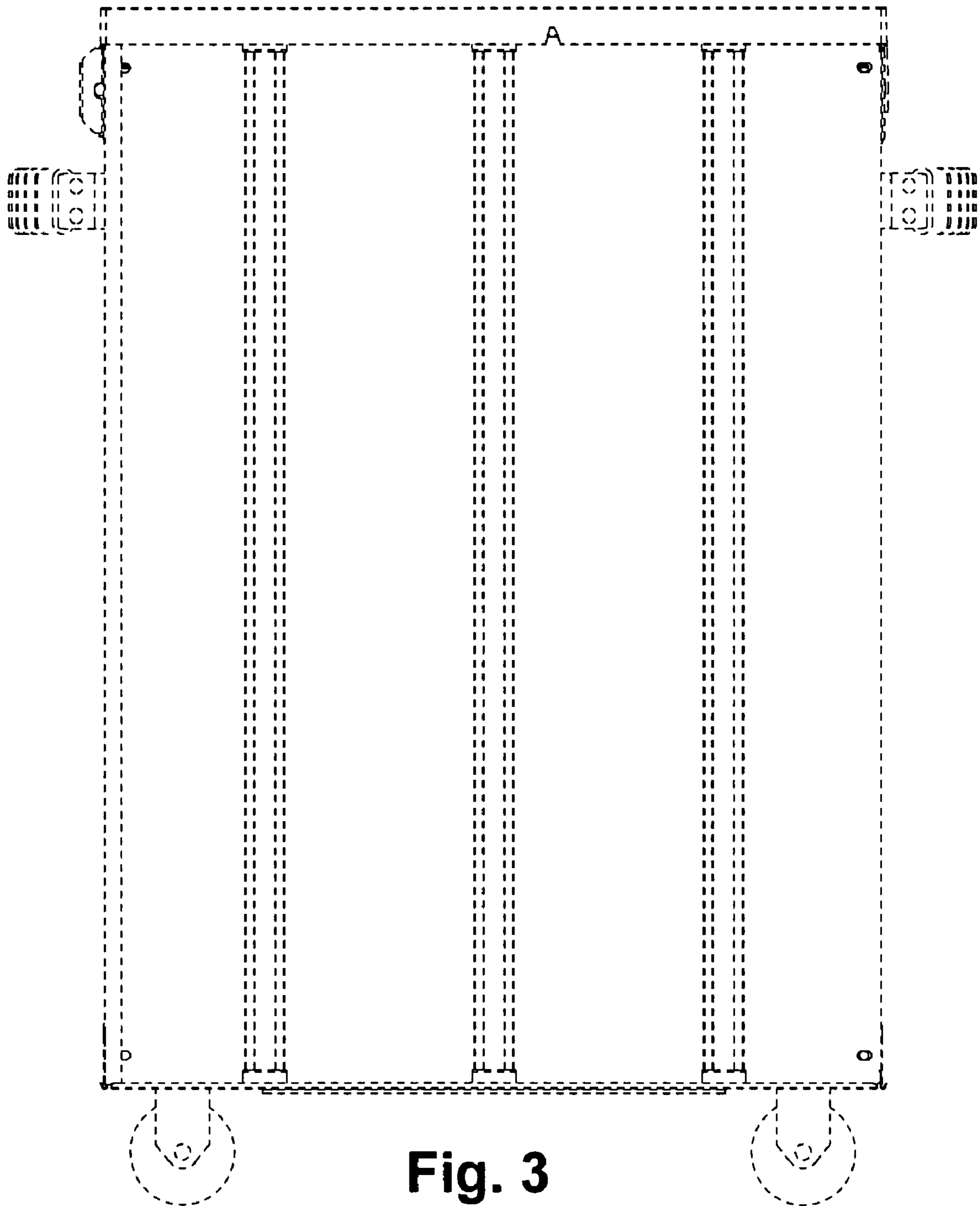


Fig. 3

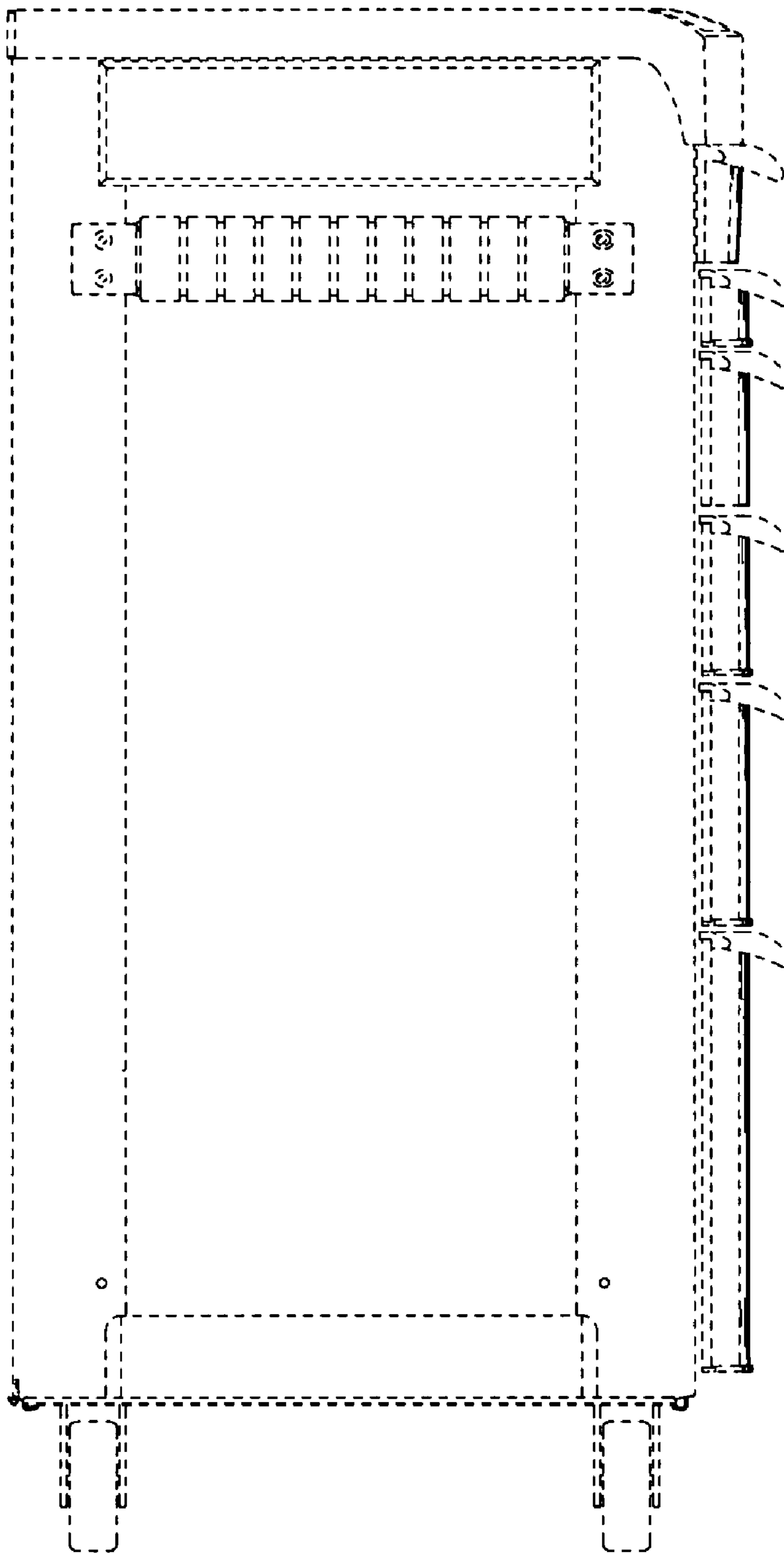


Fig. 4

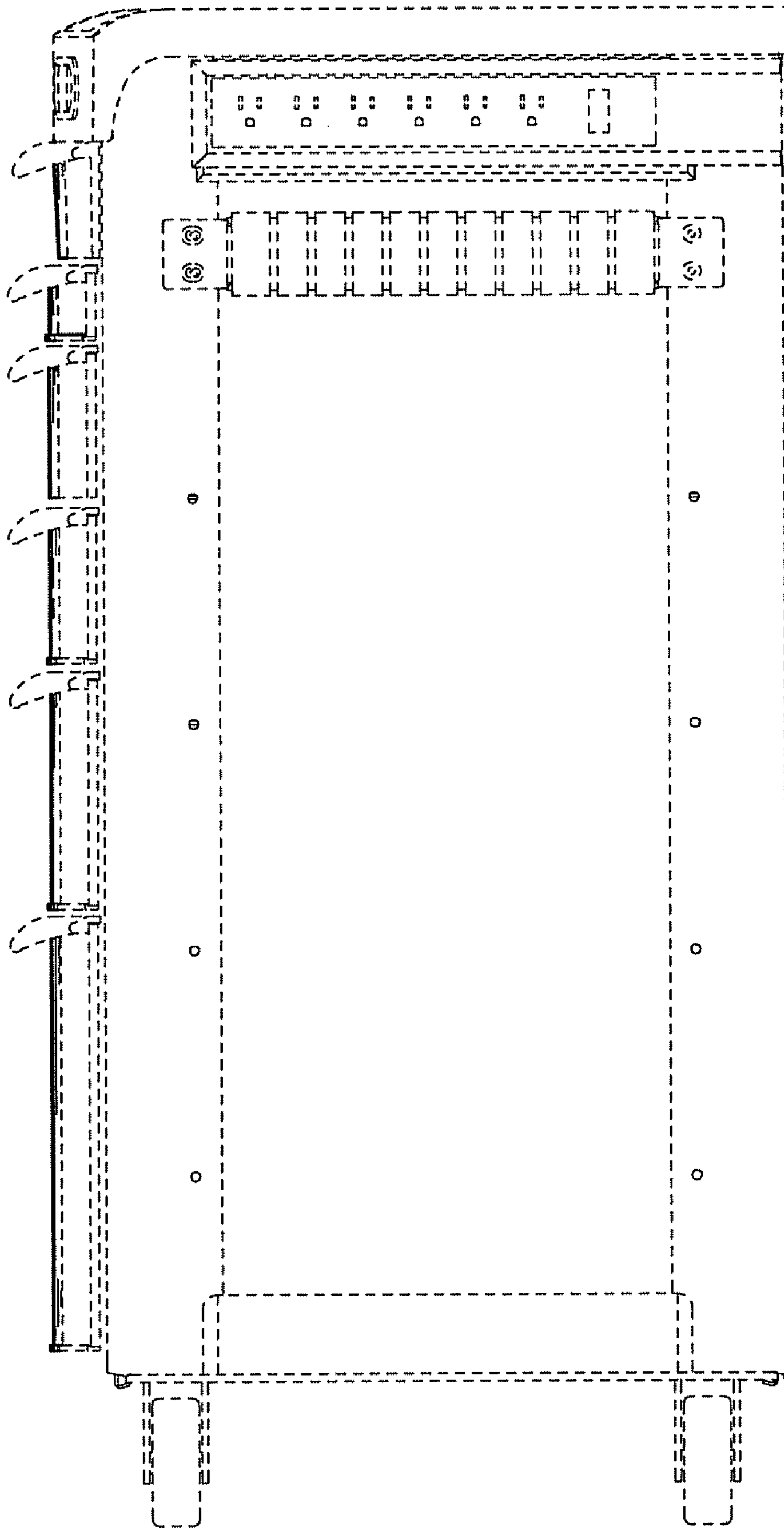


Fig. 5

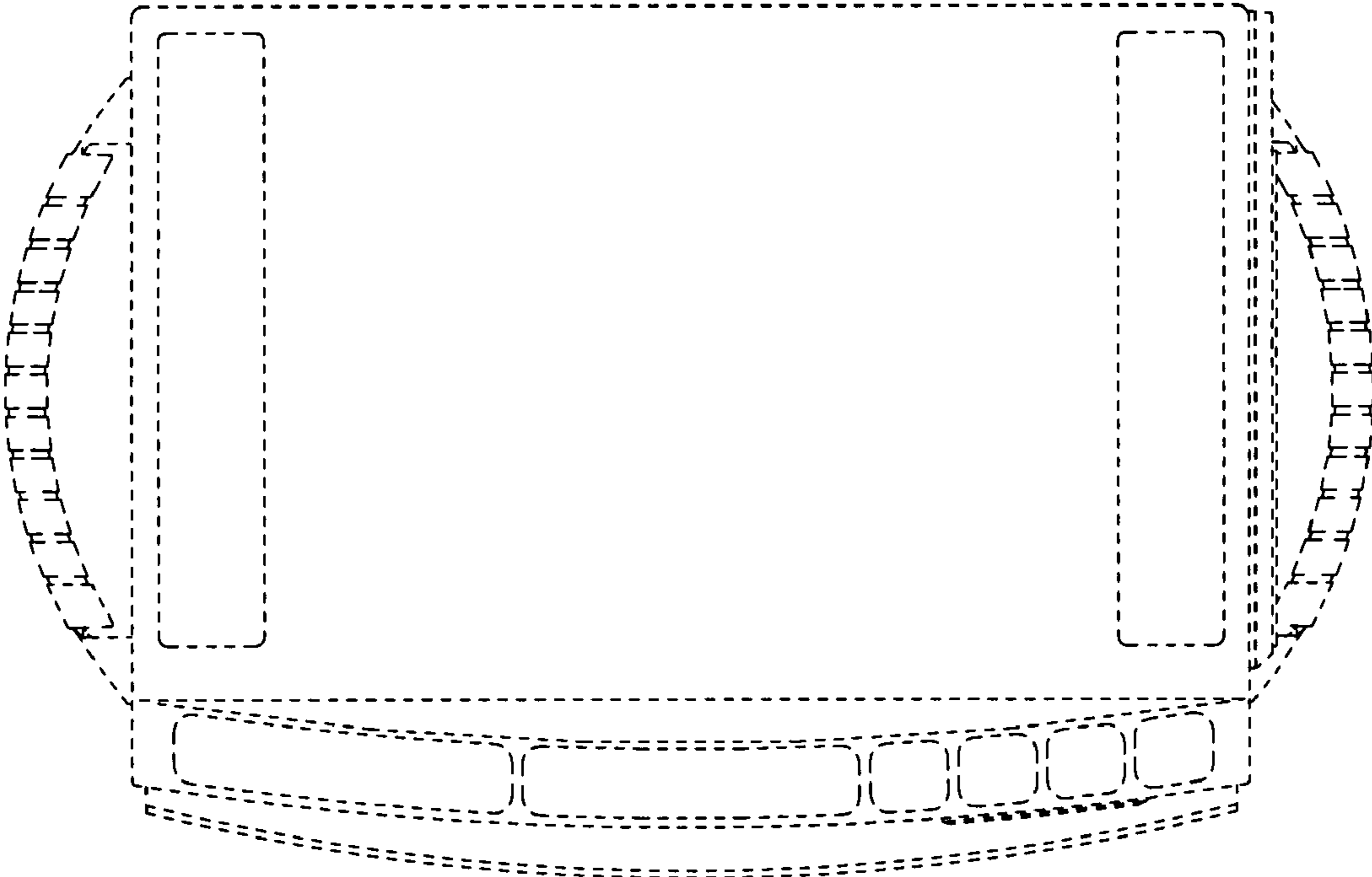


Fig. 6

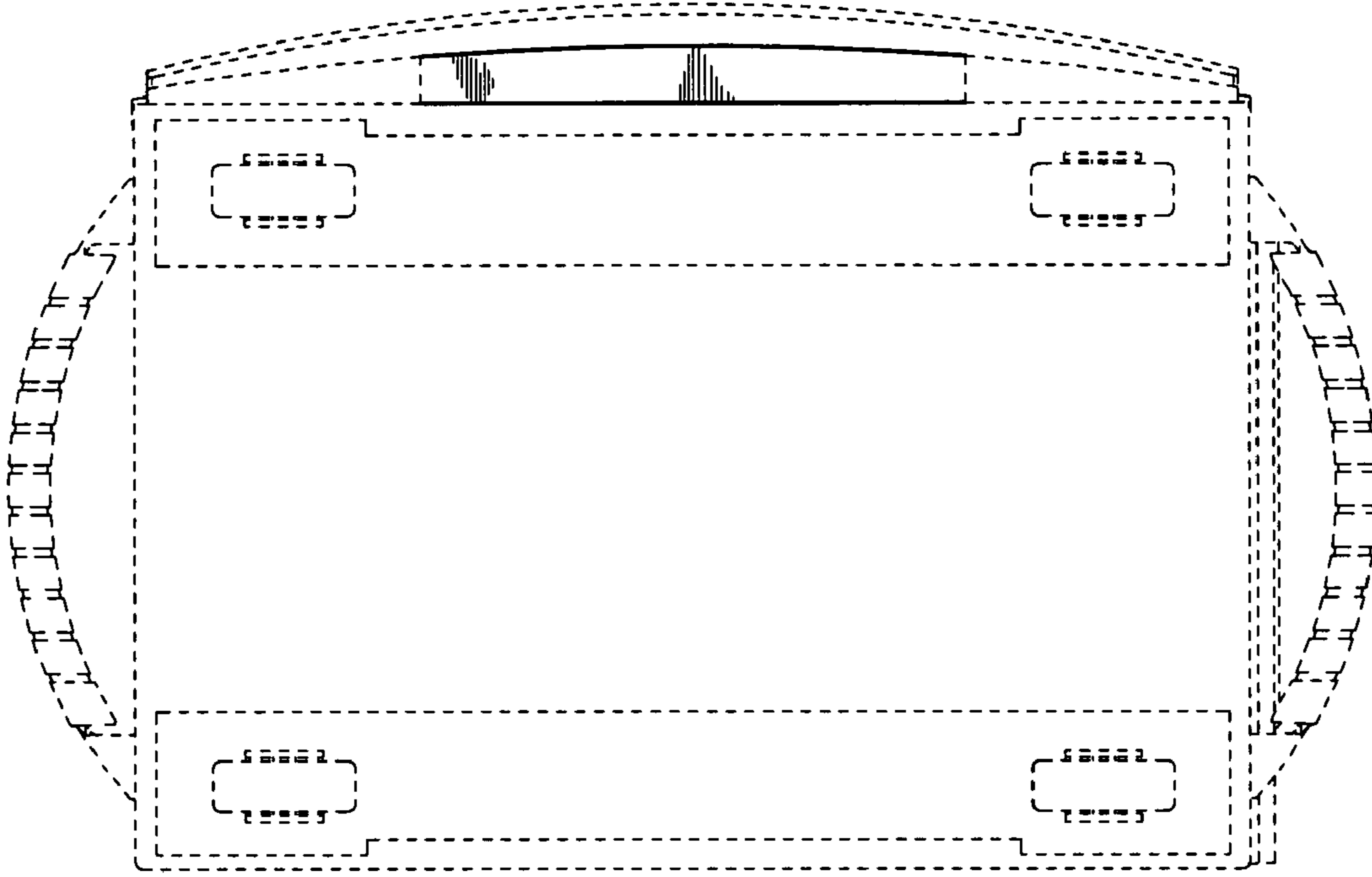


Fig. 7