



US00D610825S

(12) **United States Design Patent**  
**Arbel**

(10) **Patent No.:** **US D610,825 S**  
(45) **Date of Patent:** **\*\* Mar. 2, 2010**

(54) **SEAT OF CHAIRS, STOOLS AND SIMILAR ARTICLES OF FURNITURE**

D463,149 S \* 9/2002 Levy ..... D6/375  
D527,922 S \* 9/2006 Shilling et al. .... D6/381  
D578,791 S \* 10/2008 Shilling et al. .... D6/381  
D590,621 S \* 4/2009 Pappas ..... D6/381

(75) Inventor: **Omer Arbel**, Vancouver (CA)

\* cited by examiner

(73) Assignee: **Bocci Products, Inc.**, Vancouver, British Columbia (CA)

*Primary Examiner*—Caron Veynar

*Assistant Examiner*—Ricky Pham

(\*\*) Term: **14 Years**

(74) *Attorney, Agent, or Firm*—Todd N. Hathaway

(21) Appl. No.: **29/314,011**

(57) **CLAIM**

(22) Filed: **Feb. 25, 2009**

The ornamental design for a seat for chairs, stools and similar articles of furniture, as shown and described.

(51) **LOC (9) Cl.** ..... **06-01**

(52) **U.S. Cl.** ..... **D6/375; D6/381**

(58) **Field of Classification Search** ..... D6/334–336,  
D6/360–369, 370–375, 379–381, 498, 500–502;  
297/68, 284.4, 344.19, 423.1, 423.19, 452.12,  
297/452.17, 452.21, 452.29, 452.3, 452.56,  
297/452.64

**DESCRIPTION**

FIG. 1 is a front perspective view of a seat for chairs, stools or similar articles of furniture, showing my new design, the legs of a chair being shown in broken line image only for the purpose of understanding use of the seat and forming no part of the claimed design;

See application file for complete search history.

FIG. 2 is a front elevational view thereof;

FIG. 3 is a left-end elevational view thereof;

(56) **References Cited**

**U.S. PATENT DOCUMENTS**

2,946,374 A \* 7/1960 Dickey ..... 297/452.17  
D360,538 S \* 7/1995 Skalka ..... D6/370  
D383,615 S \* 9/1997 Skalka ..... D6/370  
D453,638 S \* 2/2002 Kane ..... D6/381  
D457,742 S \* 5/2002 Arnold ..... D6/370

FIG. 4 is a right-end elevational view thereof;

FIG. 5 is a rear elevational view thereof;

FIG. 6 is a top plan view thereof; and,

FIG. 7 is a bottom plan view thereof.

**1 Claim, 3 Drawing Sheets**

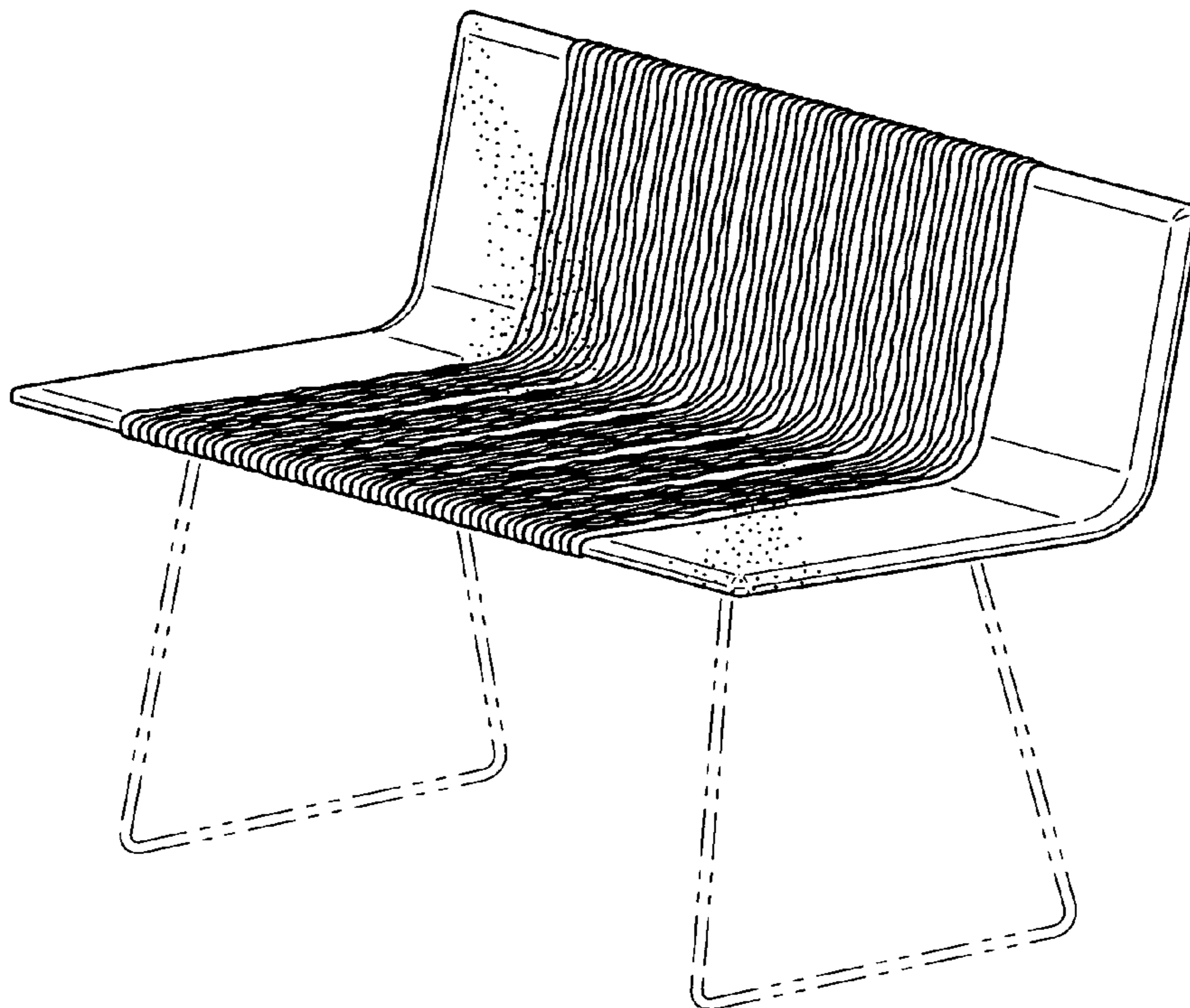


FIG. 1

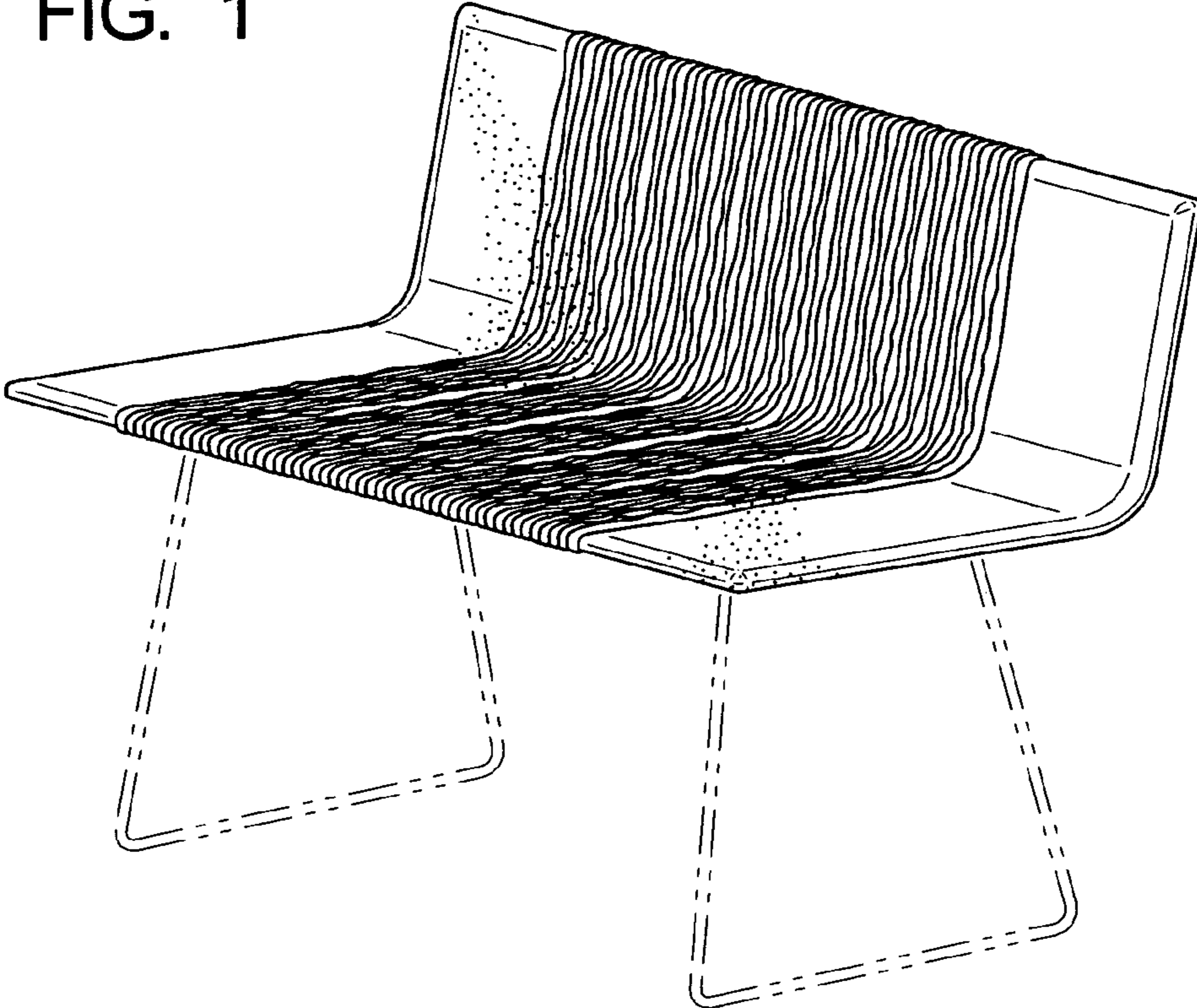


FIG. 2

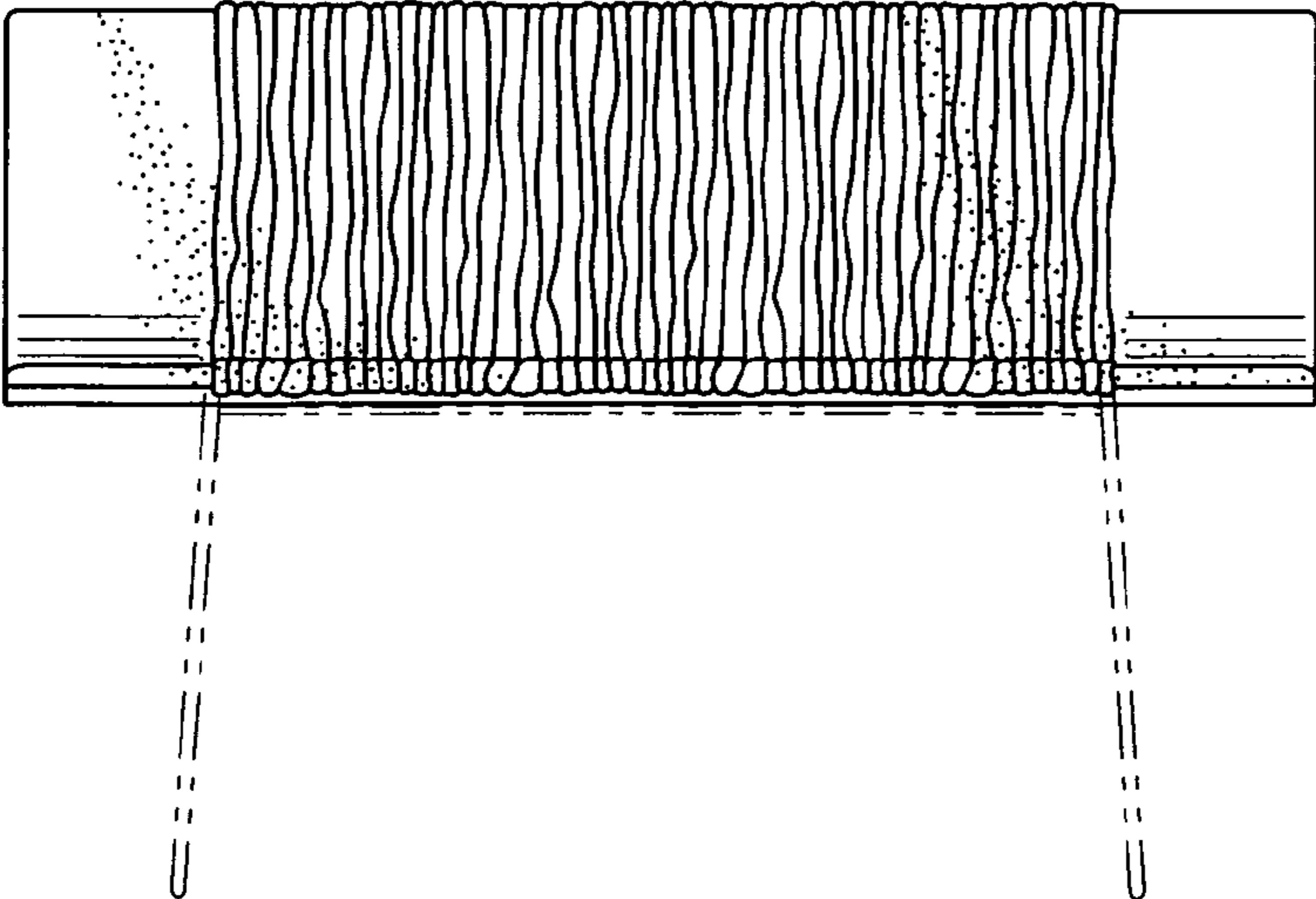


FIG. 3

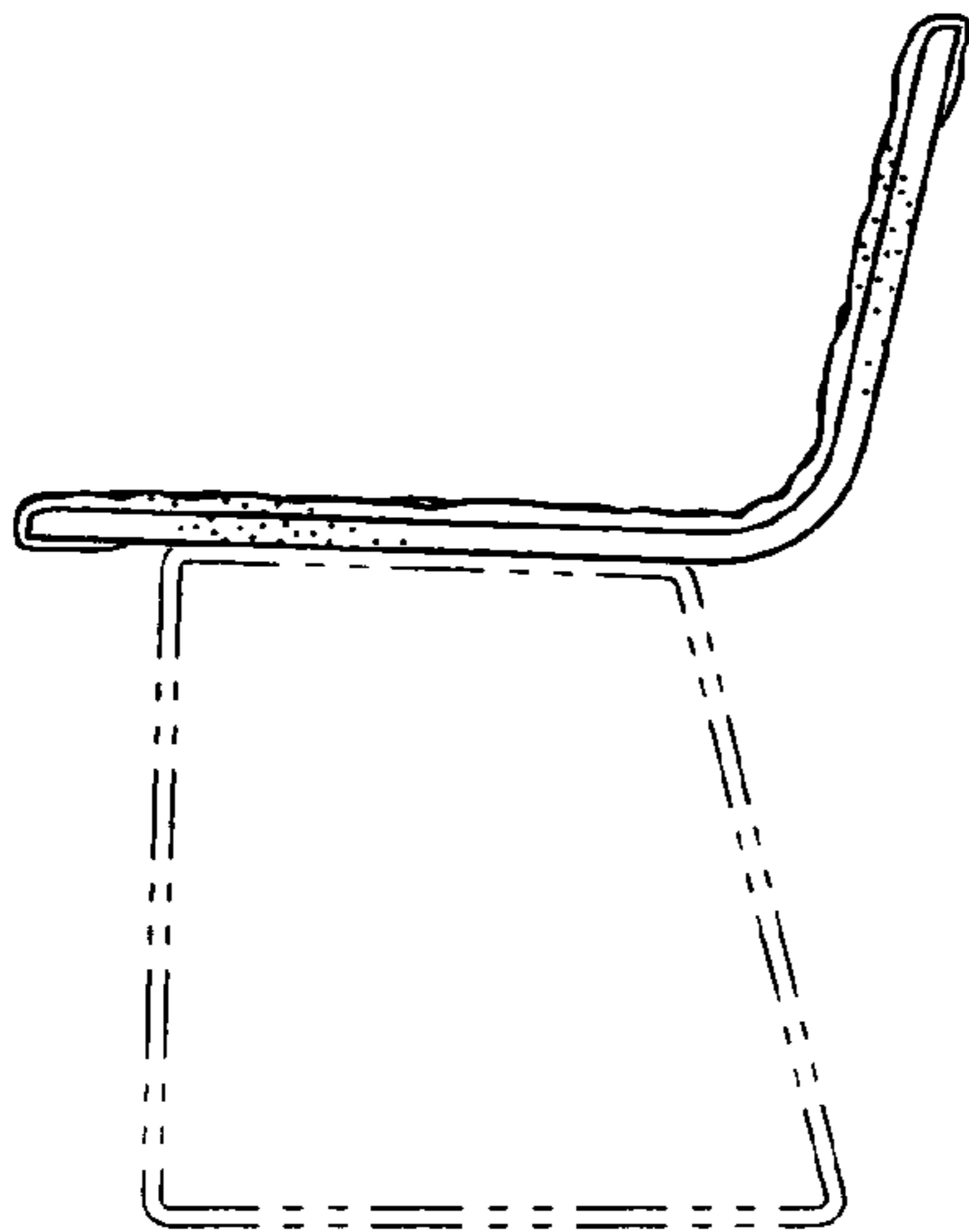


FIG. 4

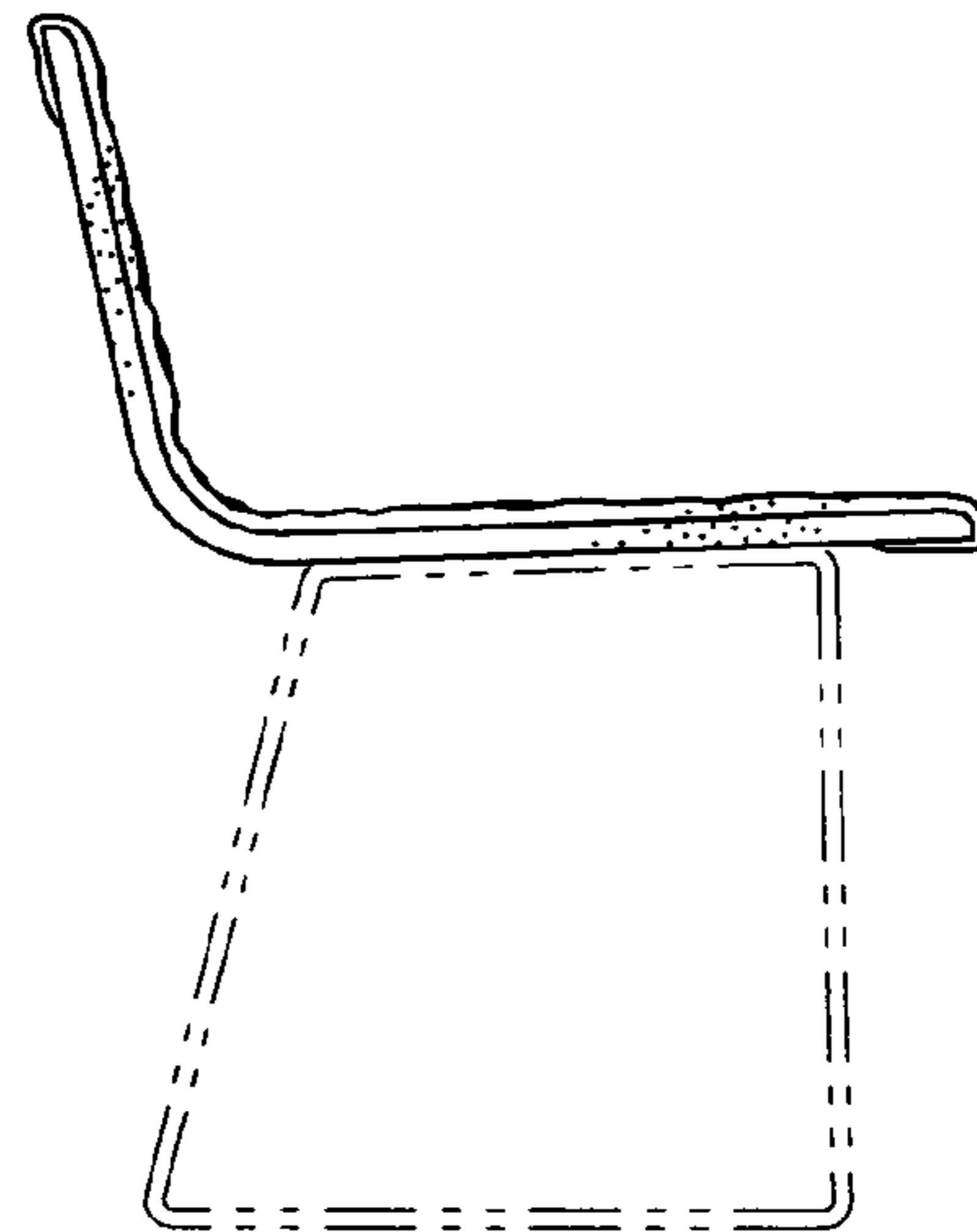


FIG. 5

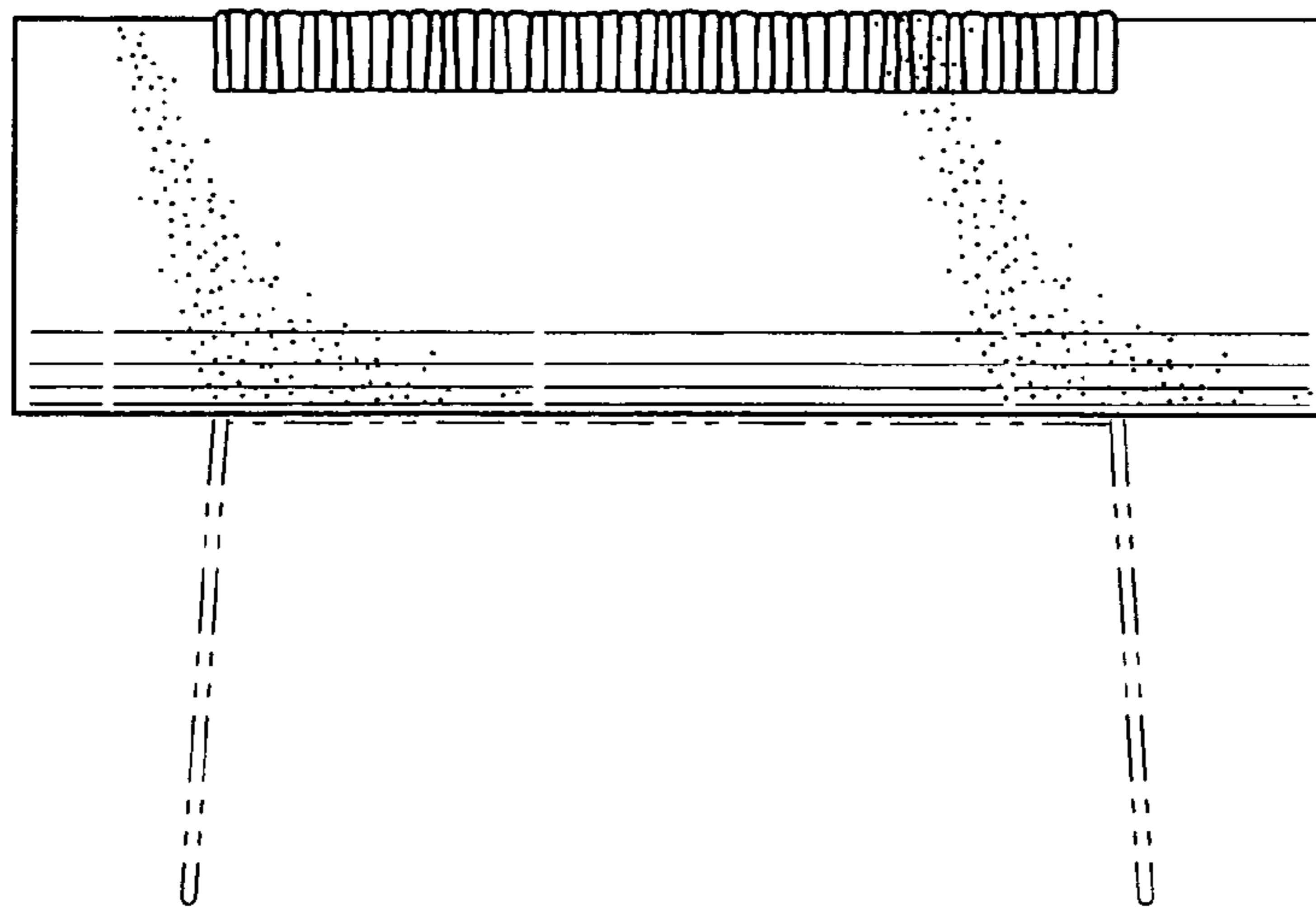


FIG. 6

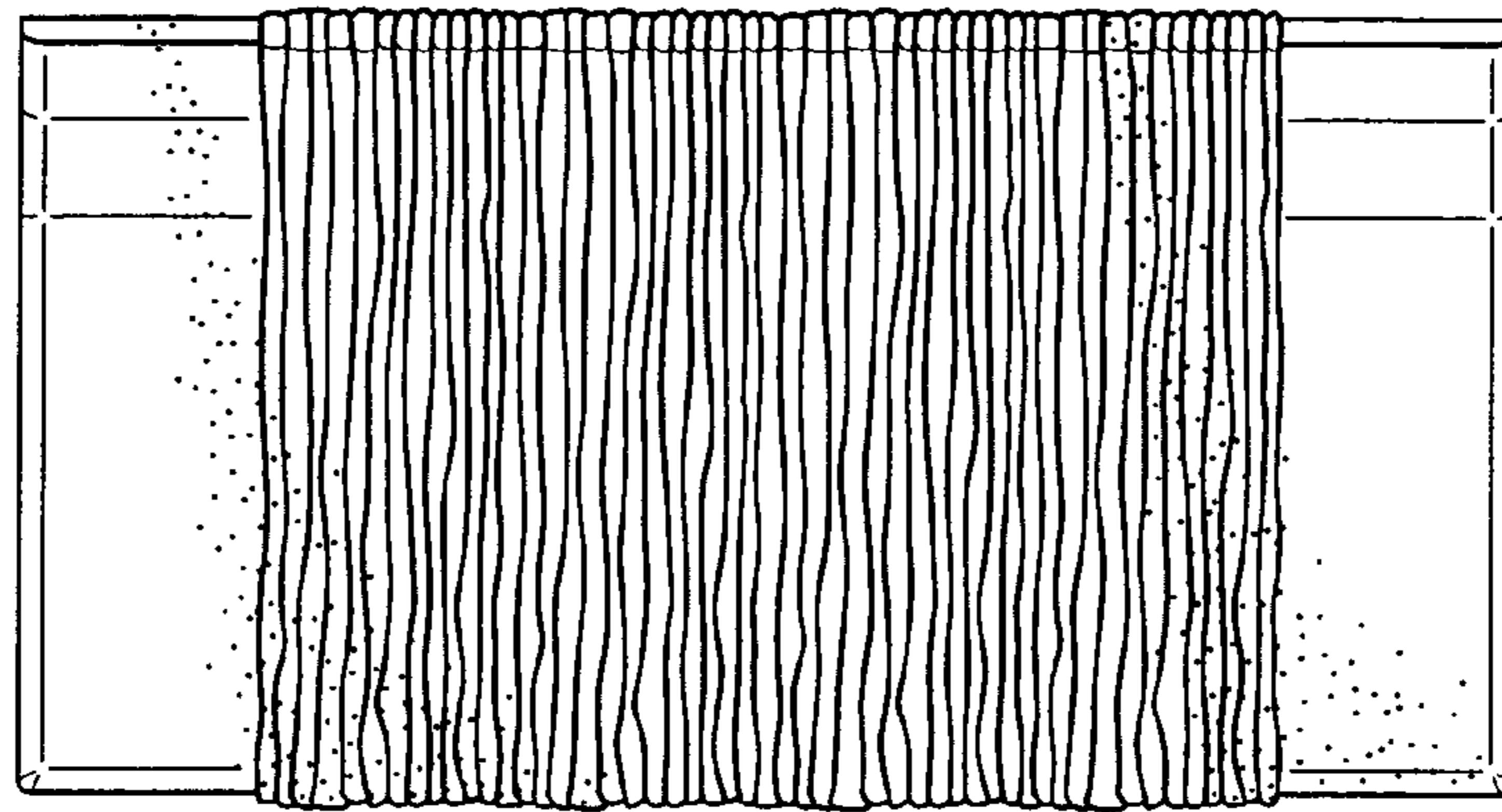


FIG. 7

