



US00D610824S

(12) **United States Design Patent**
Piretti

(10) **Patent No.:** **US D610,824 S**
(45) **Date of Patent:** **** Mar. 2, 2010**

(54) **TASK CHAIR**

(75) Inventor: **Giancarlo Piretti**, Bologna (IT)

(73) Assignee: **Pro-Cord S.p.A.**, Bologna (IT)

(**) Term: **14 Years**

(21) Appl. No.: **29/340,318**

(22) Filed: **Jul. 16, 2009**

Related U.S. Application Data

(62) Division of application No. 29/319,137, filed on Jun. 4, 2008, now Pat. No. Des. 599,125.

(51) **LOC (9) Cl.** **06-01**

(52) **U.S. Cl.** **D6/366**

(58) **Field of Classification Search** D6/366,
D6/364-365, 374-375, 367-368, 334-336,
D6/379, 498; 297/452.48, 452.32, 452.26,
297/452.35, 463.1, 451.1, 411.2, 448.2

See application file for complete search history.

(56) **References Cited**

U.S. PATENT DOCUMENTS

D549,977 S	*	9/2007	Koepke et al.	D6/366
D552,368 S	*	10/2007	Scheper et al.	D6/375
D557,026 S	*	12/2007	Klaasen et al.	D6/366
D557,027 S	*	12/2007	Hara	D6/366
D557,913 S	*	12/2007	Ong	D6/366
D563,687 S	*	3/2008	Neil	D6/366
D569,117 S	*	5/2008	Bernett et al.	D6/366
D582,170 S	*	12/2008	Chi	D6/366
D589,271 S	*	3/2009	Neil	D6/366
D597,329 S	*	8/2009	Tanaka et al.	D6/366
D599,125 S	*	9/2009	Piretti	D6/366

D599,571 S * 9/2009 Hara D6/366

* cited by examiner

Primary Examiner—Caron Veynar

Assistant Examiner—Abraham Bahta

(74) *Attorney, Agent, or Firm*—Andrus, Scales, Starke & Sawall, LLP

(57) **CLAIM**

The ornamental design for a task chair, as shown and described.

DESCRIPTION

FIG. 1 is a right side elevation view of a first embodiment of a task chair showing my new design, wherein the left side elevation view is a mirror image thereof;

FIG. 2 is a front elevation view thereof;

FIG. 3 is a top plan view thereof;

FIG. 4 is a rear elevation view thereof;

FIG. 5 is a bottom plan view thereof;

FIG. 6 is a right side elevation view of a second embodiment of a task chair wherein the left side elevation view is a mirror image thereof;

FIG. 7 is a front elevation view thereof;

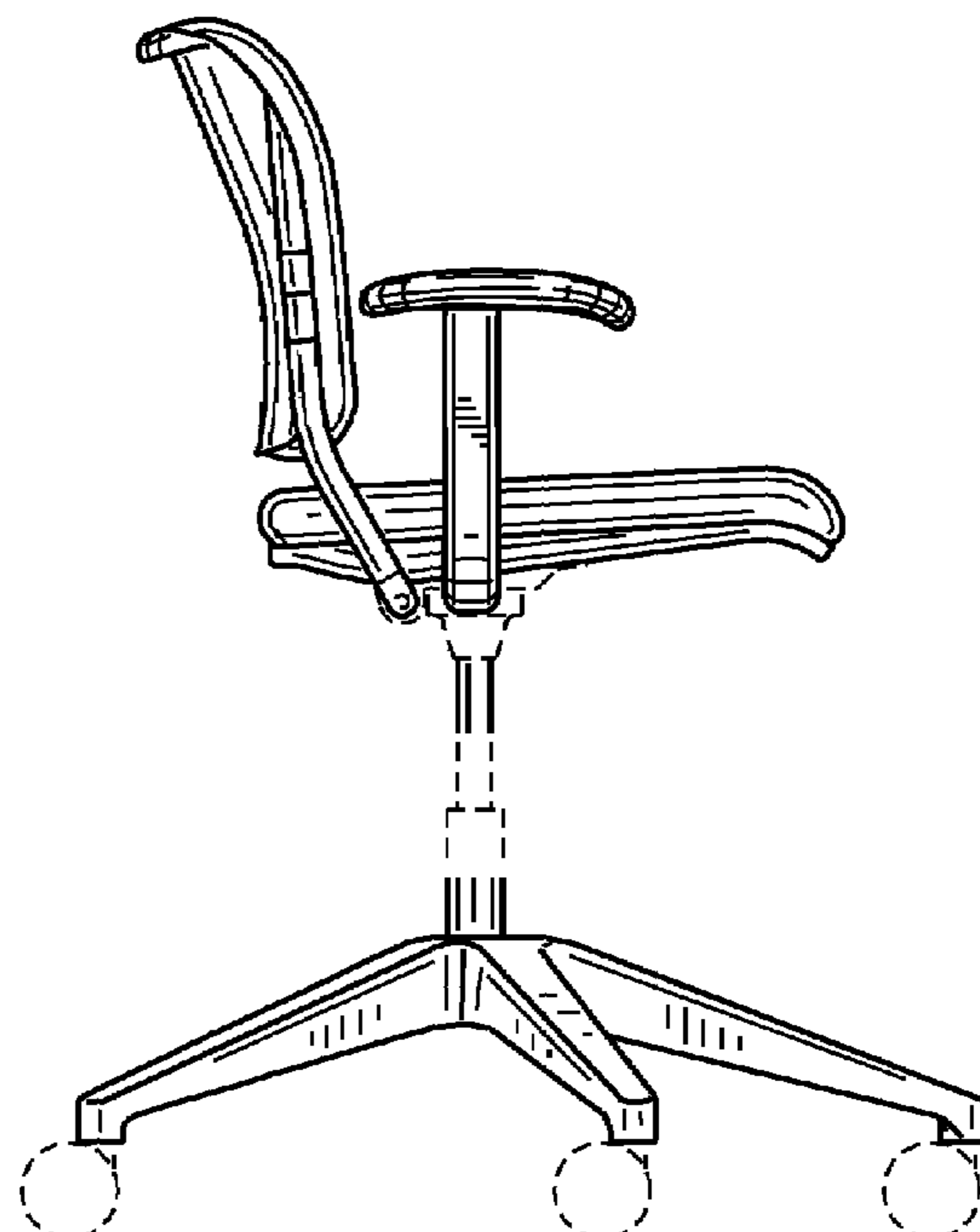
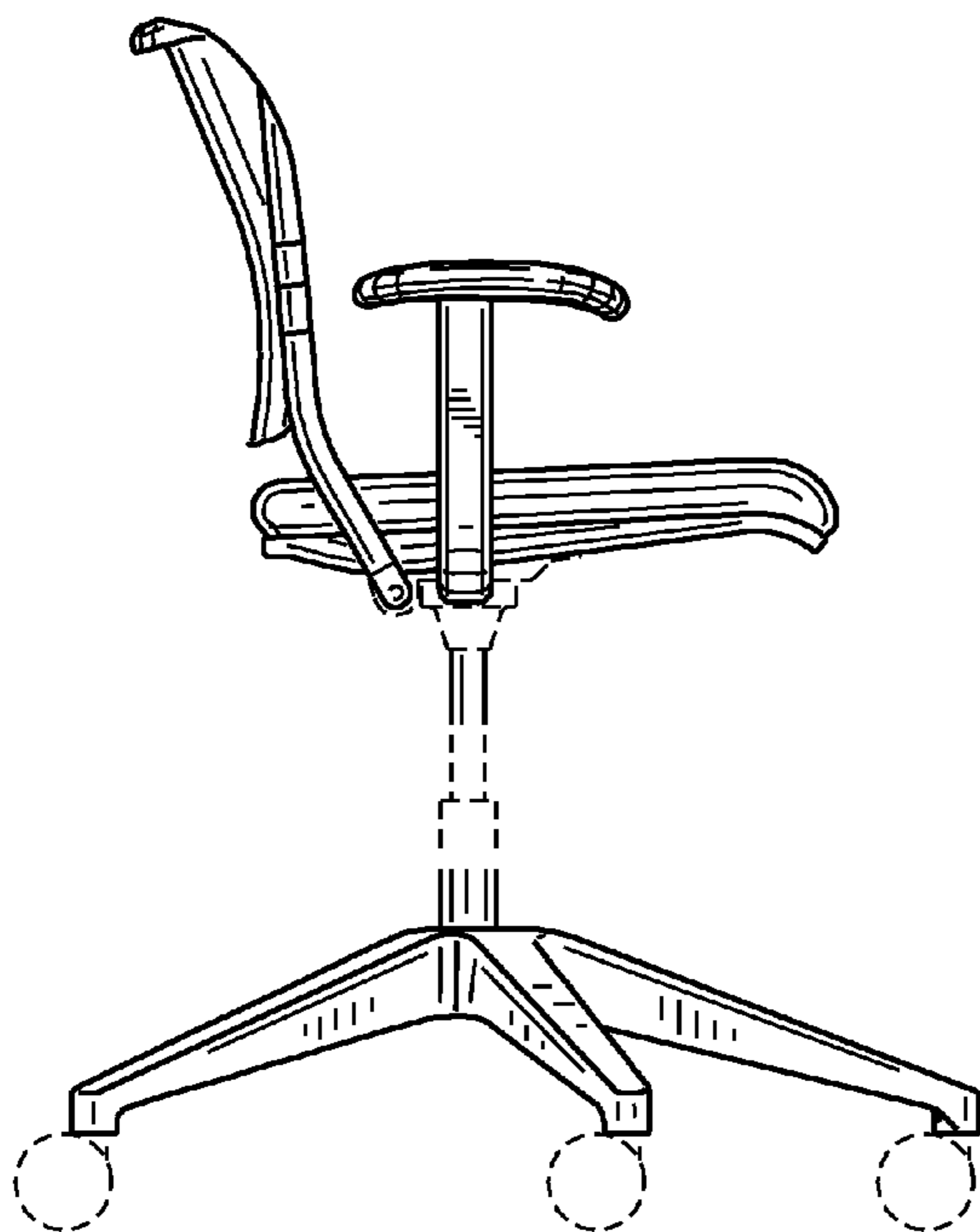
FIG. 8 is a top plan view thereof;

FIG. 9 is a rear elevation view thereof; and,

FIG. 10 is a bottom plan view thereof.

The broken line showing of portion of the task chair is included for the purpose of illustrating environmental structure and forms no part of the claimed design.

1 Claim, 6 Drawing Sheets



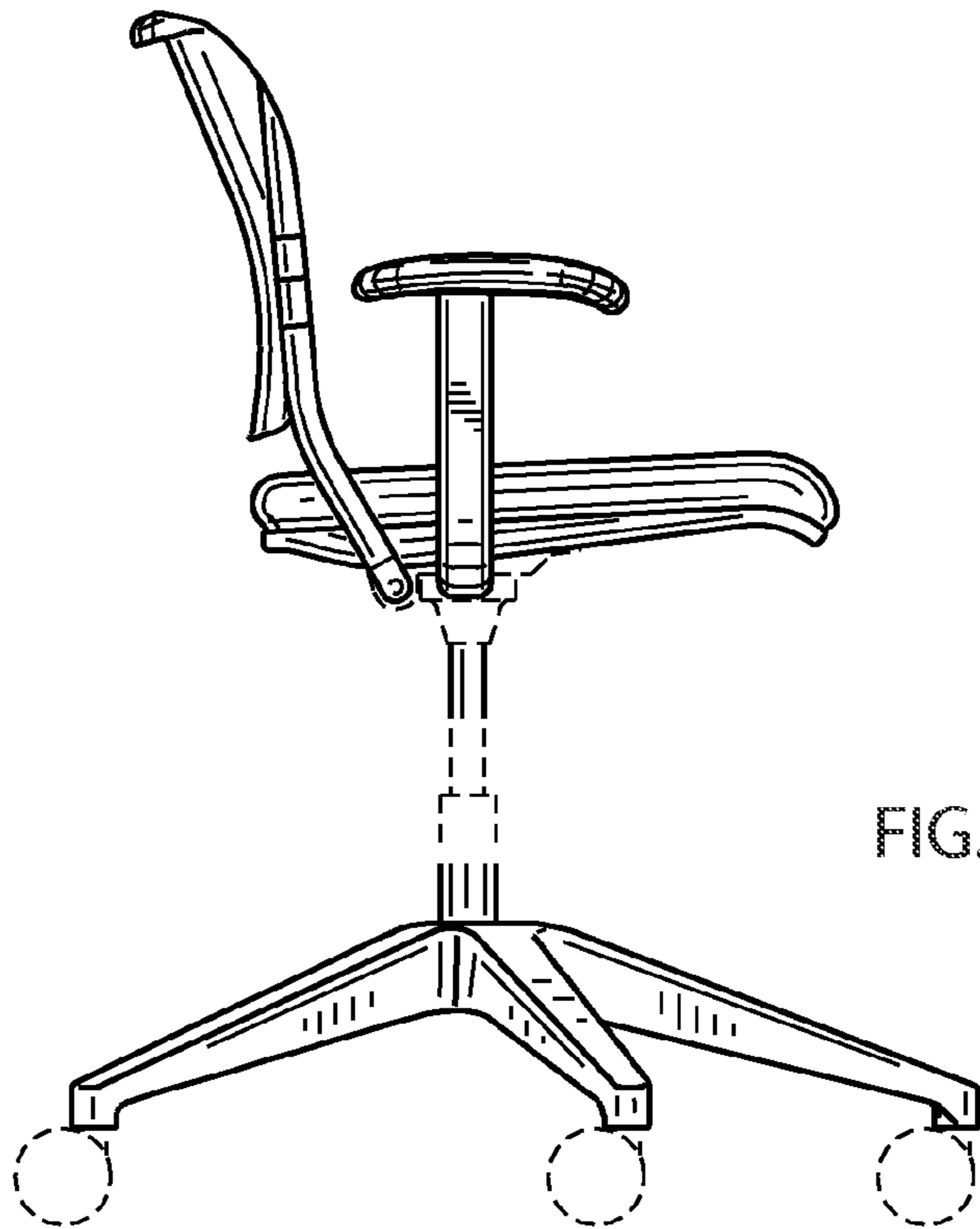


FIG. 1

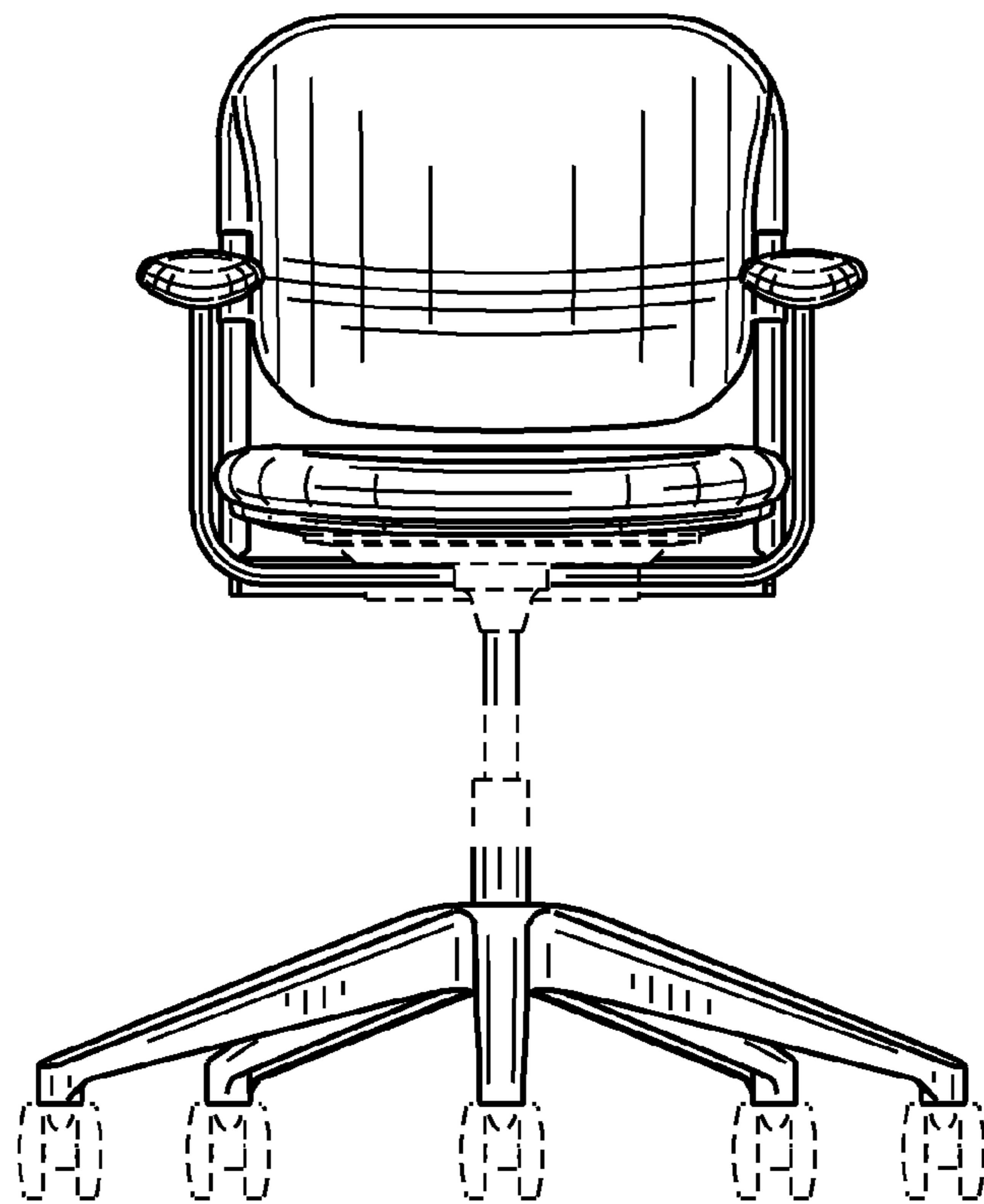


FIG. 2

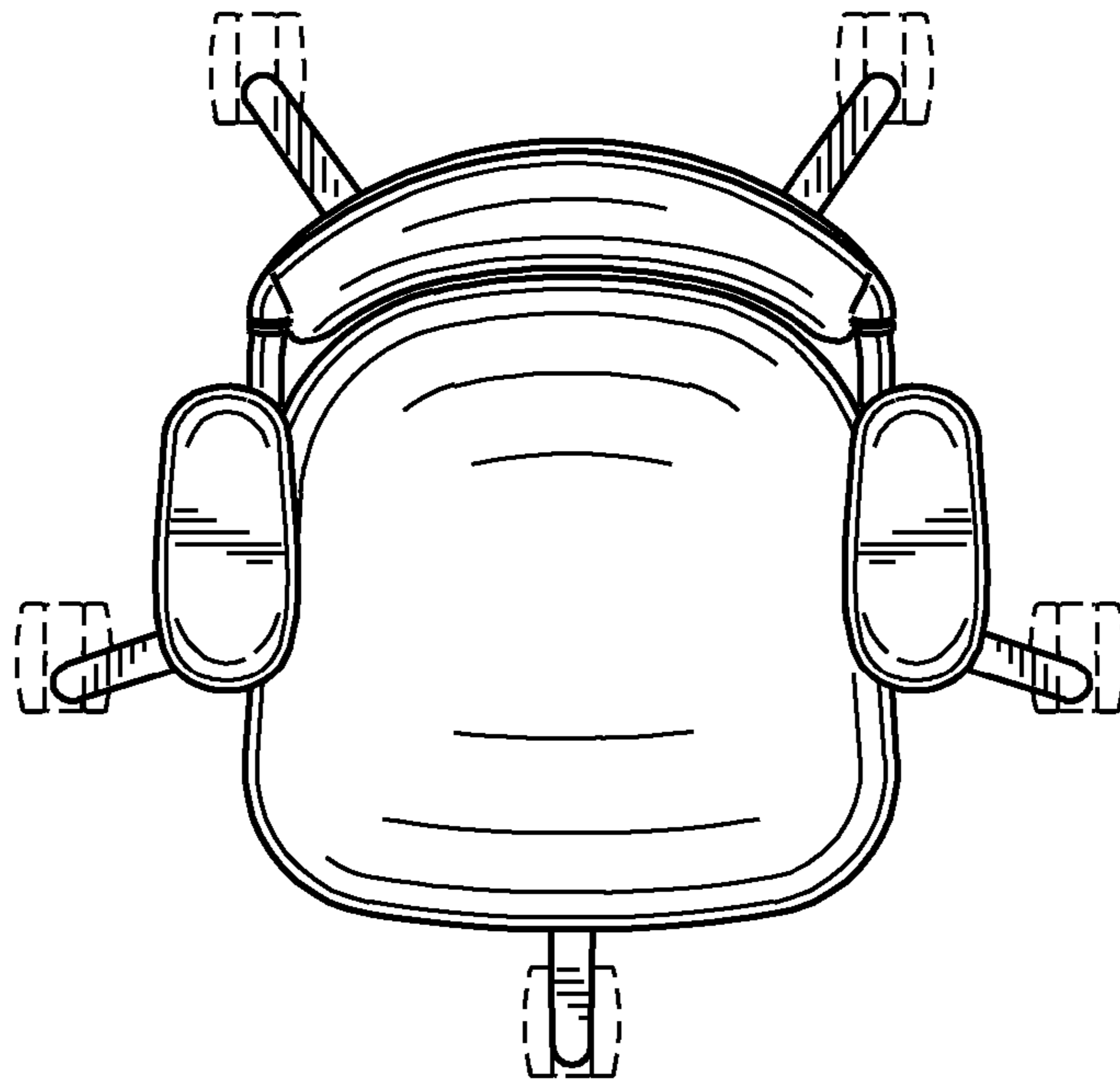


FIG. 3

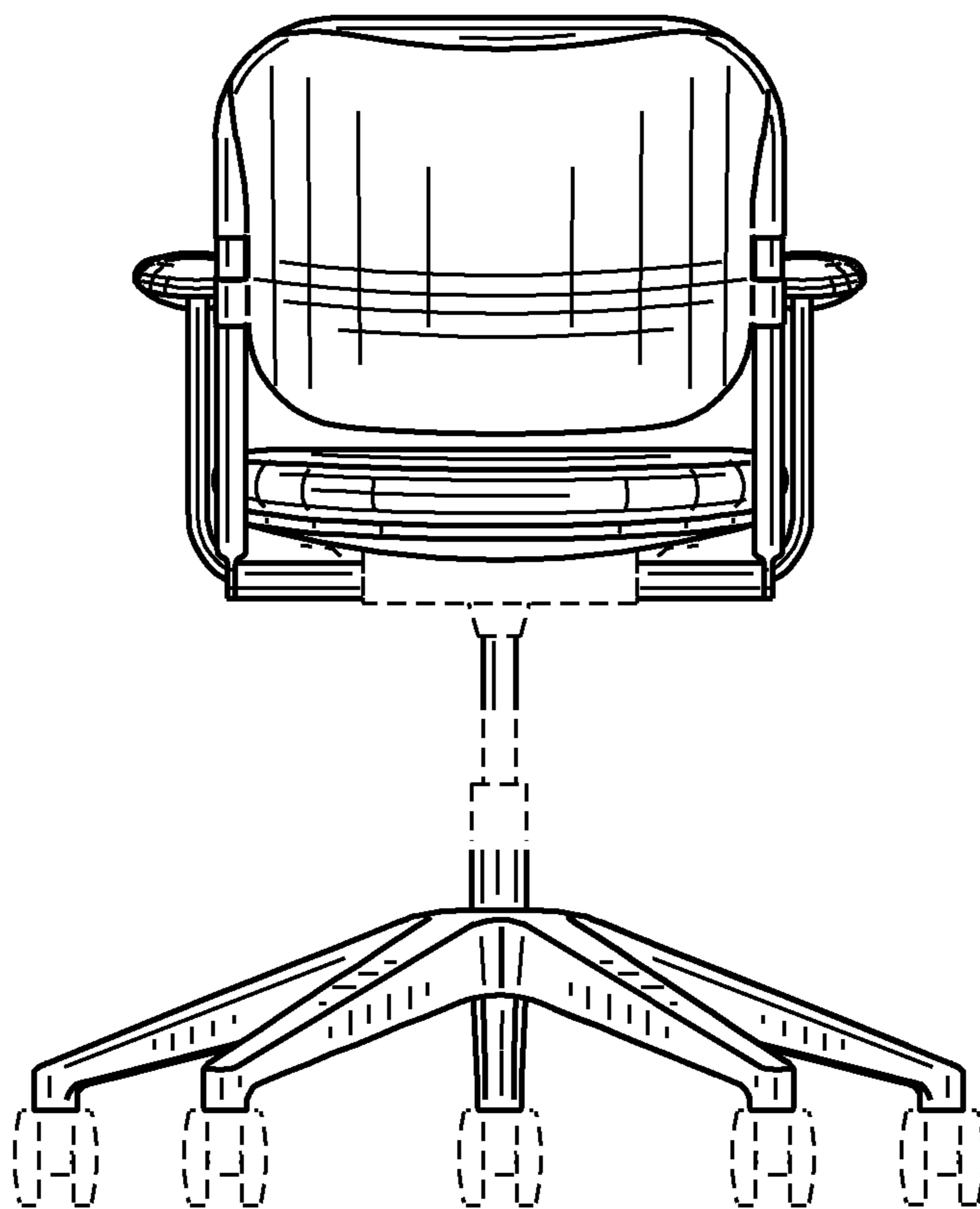


FIG. 4

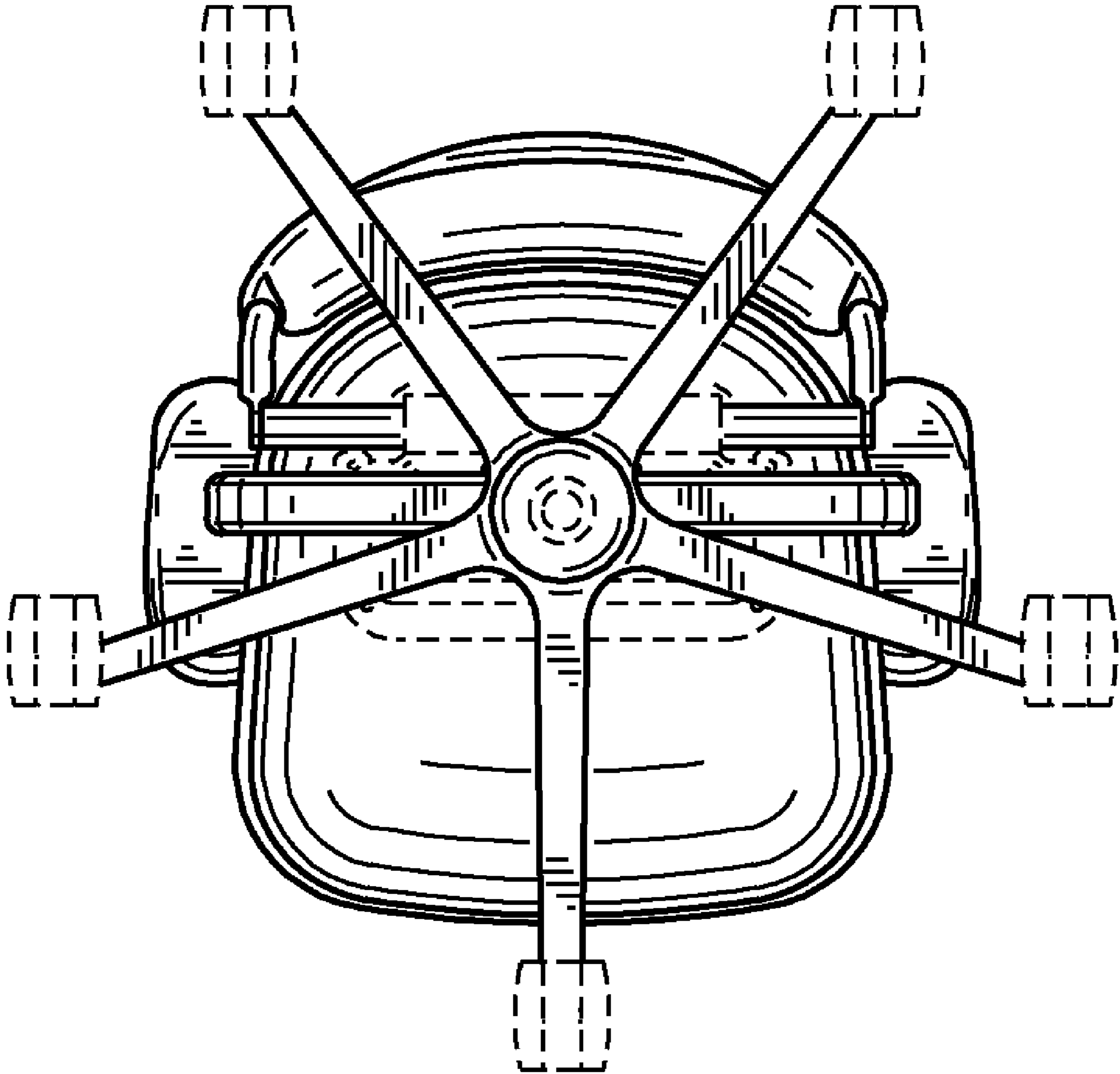


FIG. 5

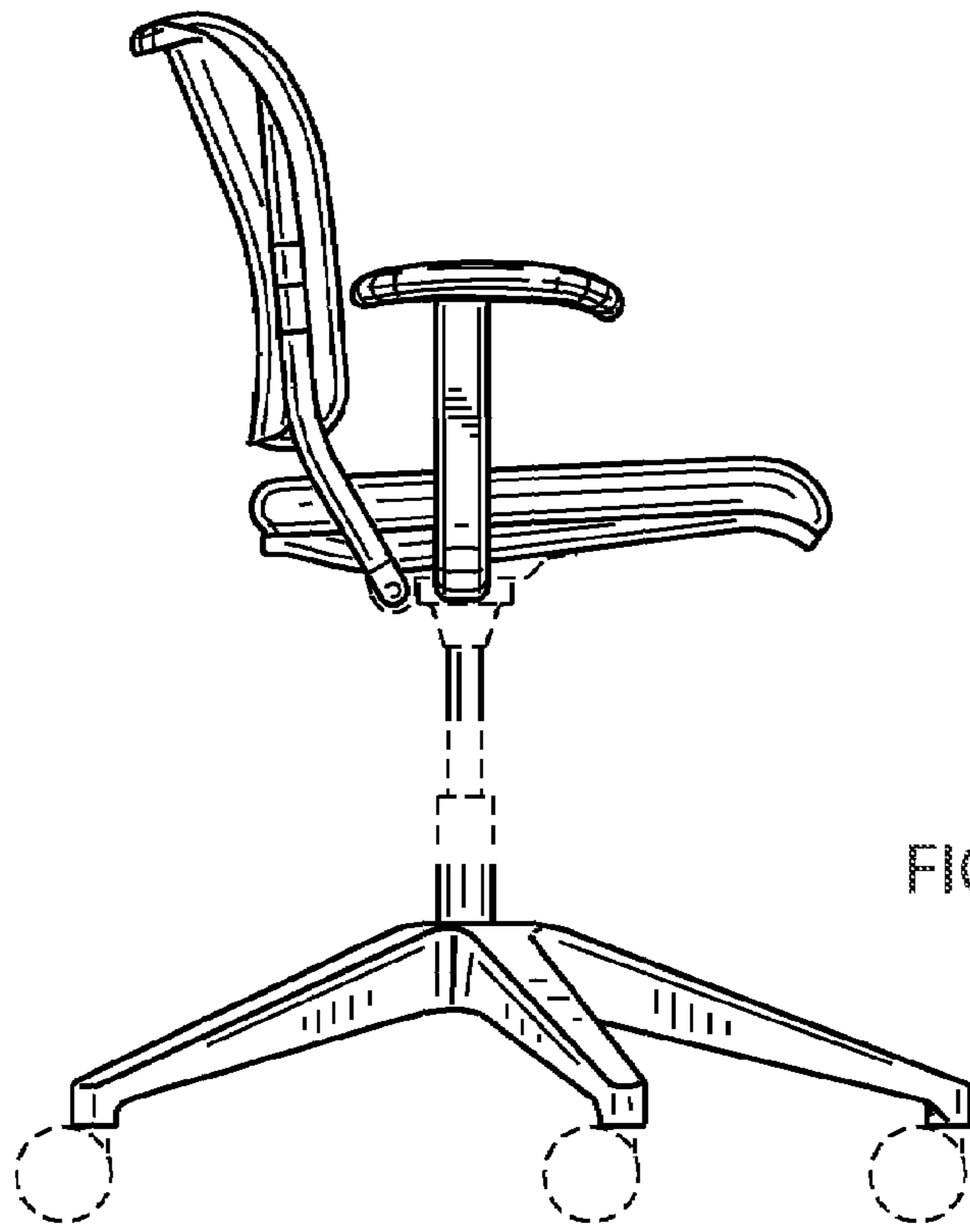


FIG. 6

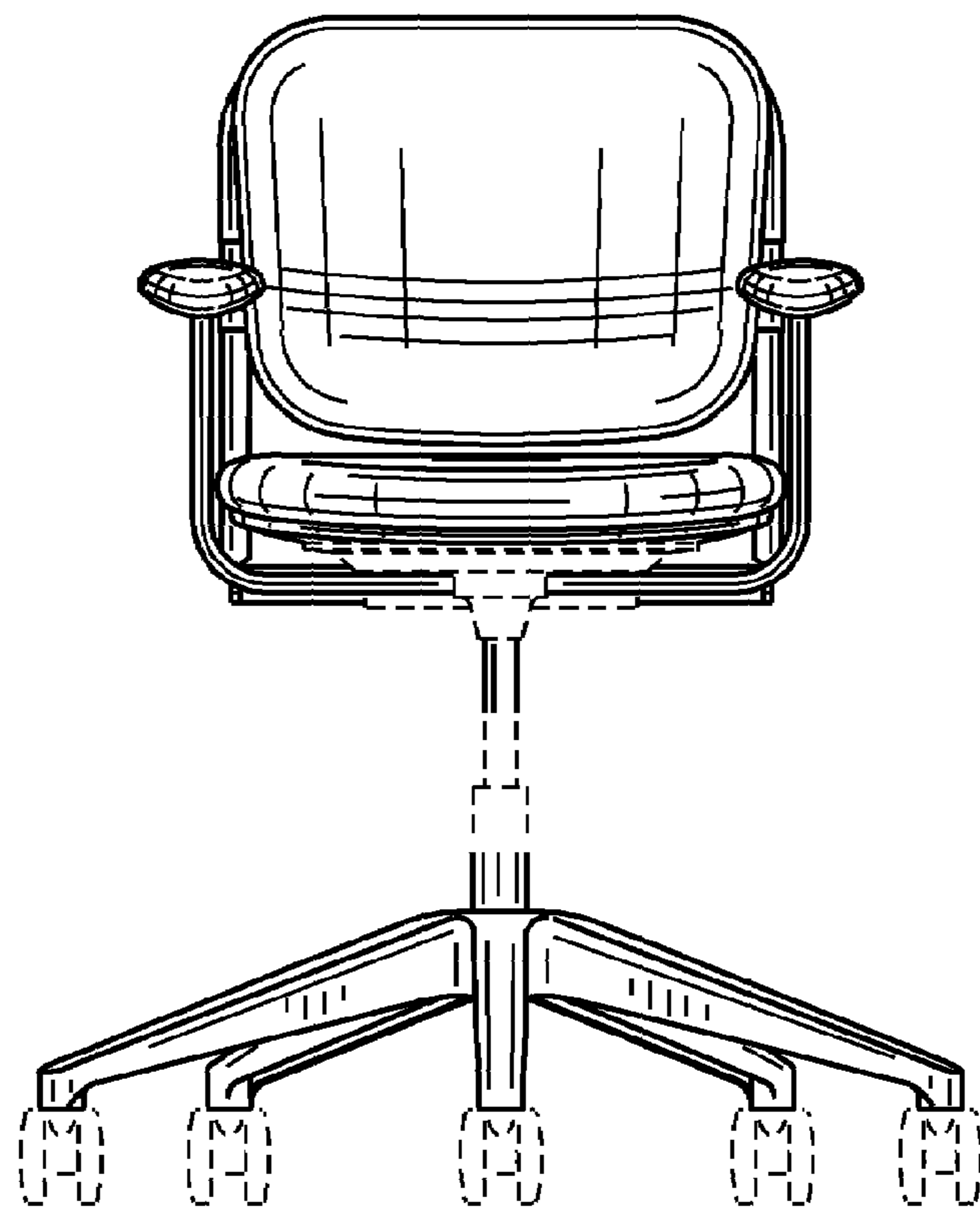


FIG. 7

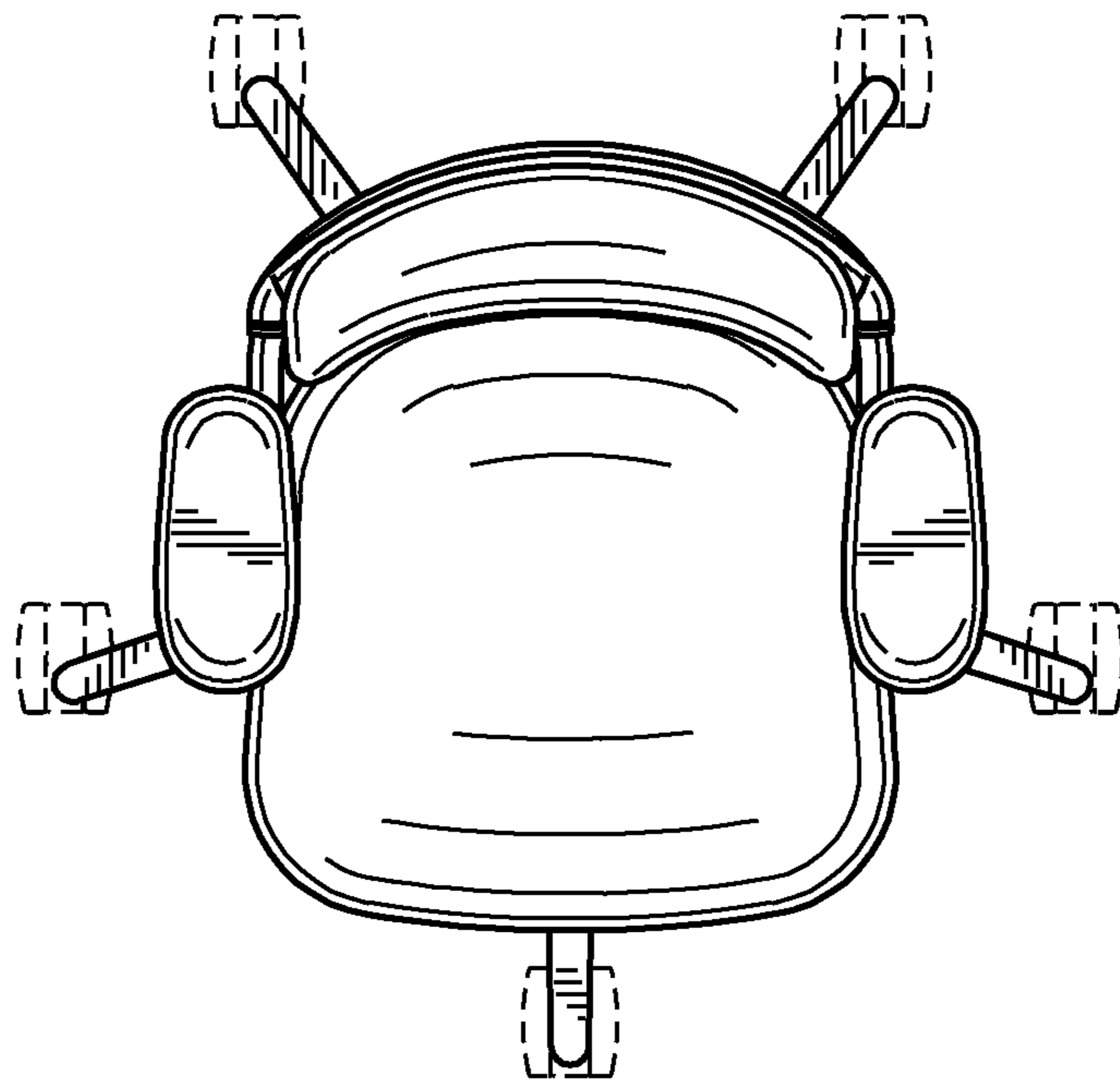


FIG. 8

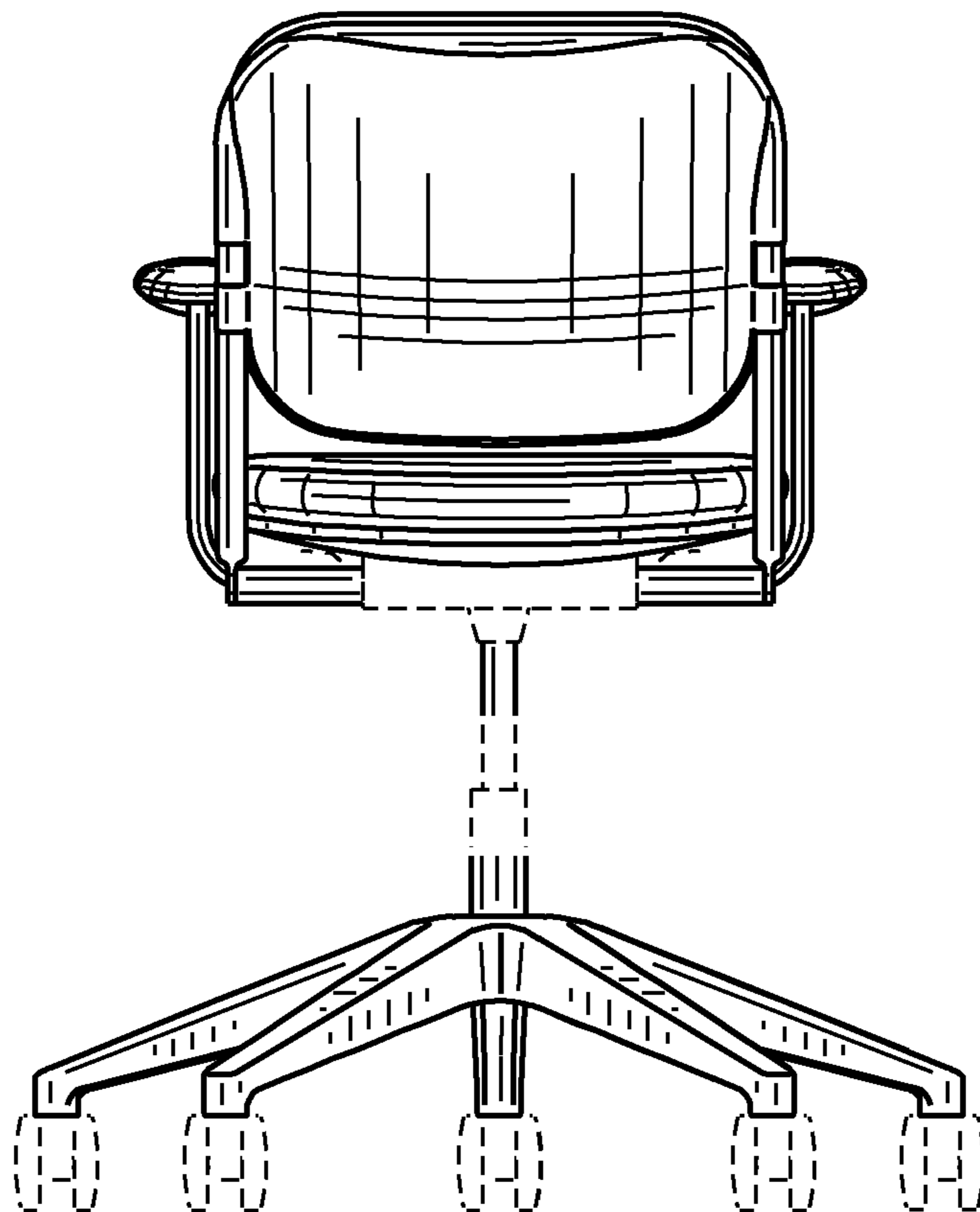


FIG. 9

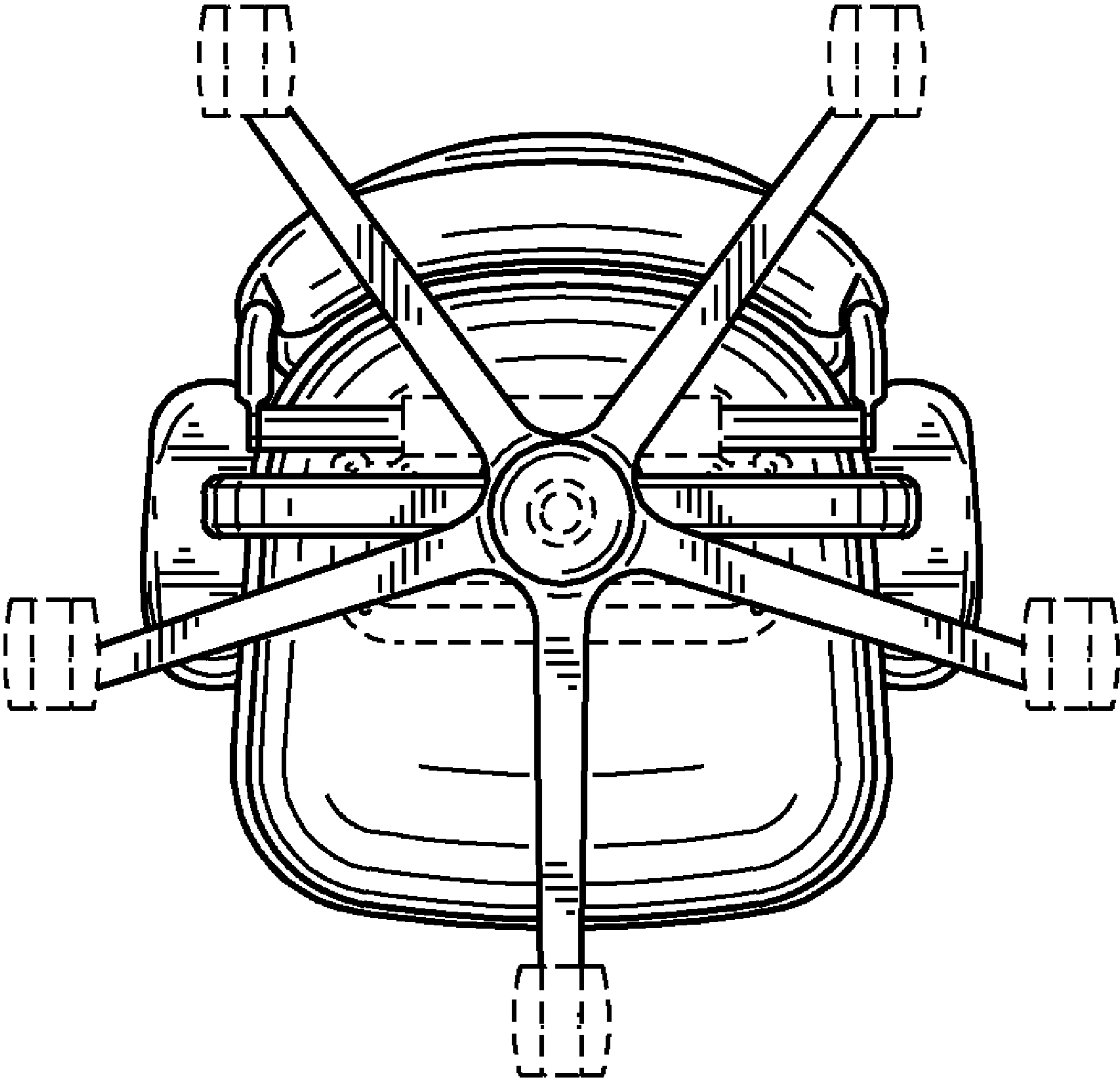


FIG. 10