



US00D610823S

(12) **United States Design Patent**  
**Piretti**

(10) **Patent No.:** **US D610,823 S**  
(45) **Date of Patent:** **\*\* Mar. 2, 2010**

(54) **TASK CHAIR**

(75) Inventor: **Giancarlo Piretti**, Bologna (IT)

(73) Assignee: **Pro-Cord S.p.A.**, Bologna (IT)

(\*\*) Term: **14 Years**

(21) Appl. No.: **29/340,317**

(22) Filed: **Jul. 16, 2009**

**Related U.S. Application Data**

(62) Division of application No. 29/319,137, filed on Jun. 4, 2008, now Pat. No. Des. 599,125.

(51) **LOC (9) Cl.** ..... **06-01**

(52) **U.S. Cl.** ..... **D6/366**

(58) **Field of Classification Search** ..... D6/366,  
D6/364-365, 374-375, 367-368, 334-336,  
D6/379, 498; 297/452.48, 284.4, 452.21,  
297/452.29, 452.32, 452.26, 452.35, 463.1,  
297/451.1, 411.2, 448.2

See application file for complete search history.

(56) **References Cited**

**U.S. PATENT DOCUMENTS**

D345,260	S	*	3/1994	Narita	.....	D6/366
D351,069	S	*	10/1994	Orlandini et al.	.....	D6/366
D355,303	S	*	2/1995	Scheper et al.	.....	D6/366
D365,453	S	*	12/1995	Newhouse	.....	D6/366
D452,785	S	*	1/2002	Chu	.....	D6/500
D552,856	S	*	10/2007	Chan	.....	D6/366
D553,377	S	*	10/2007	Chan	.....	D6/366
D558,998	S	*	1/2008	Hara	.....	D6/366
D599,126	S	*	9/2009	Chen et al.	.....	D6/366

\* cited by examiner

*Primary Examiner*—Caron Veynar

*Assistant Examiner*—Abraham Bahta

(74) *Attorney, Agent, or Firm*—Andrus, Scales, Starke & Sawall, LLP

(57) **CLAIM**

The ornamental design for a task chair, as shown and described.

**DESCRIPTION**

FIG. 1 is a right side elevation view of a first embodiment of a task chair showing my new design, wherein the left side elevation view is a mirror image thereof;

FIG. 2 is a front elevation view thereof;

FIG. 3 is a top plan view thereof;

FIG. 4 is a rear elevation view thereof;

FIG. 5 is a bottom plan view thereof;

FIG. 6 is a right side elevation view of a second embodiment of a task chair wherein the left side elevation view is a mirror image thereof;

FIG. 7 is a front elevation view thereof;

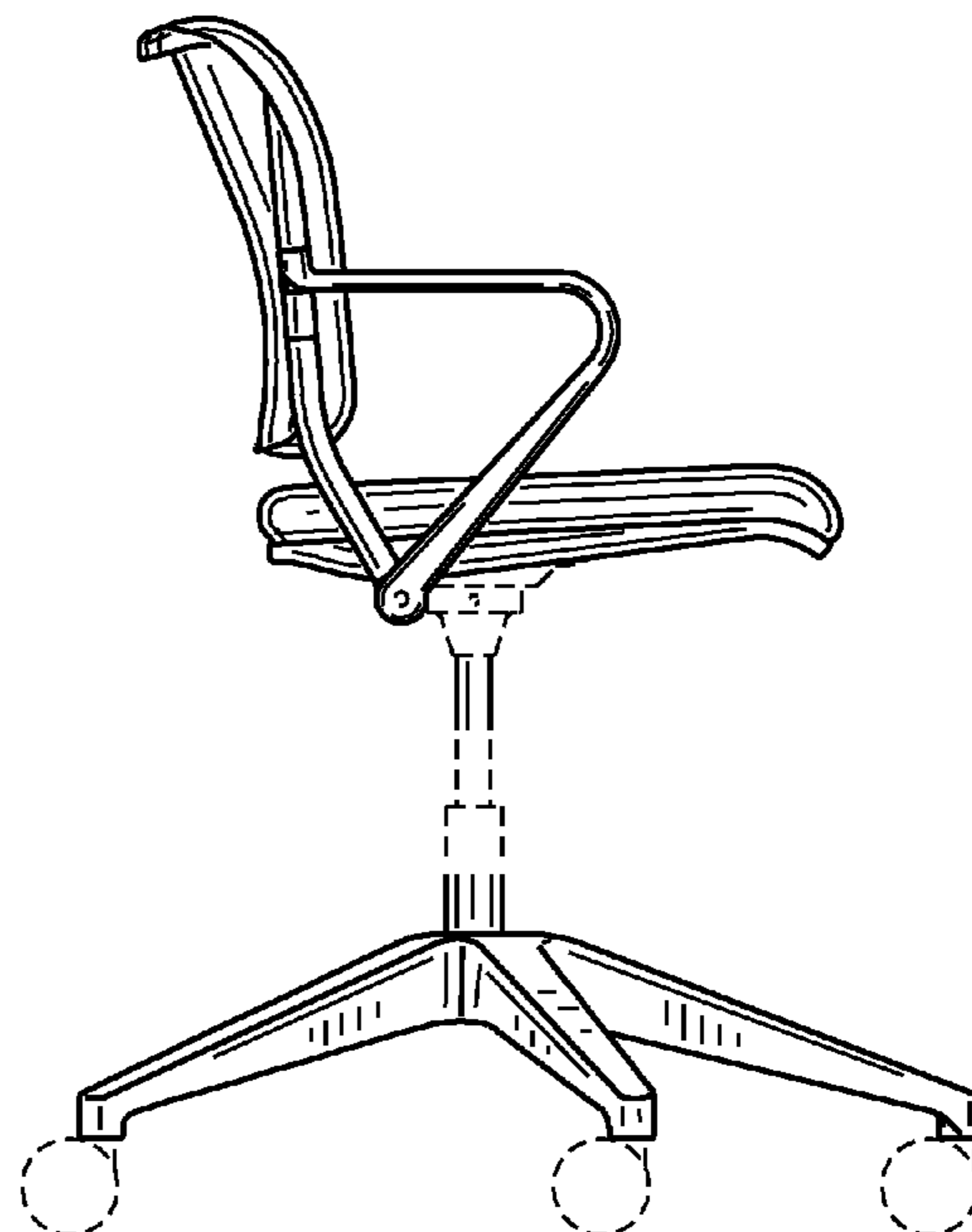
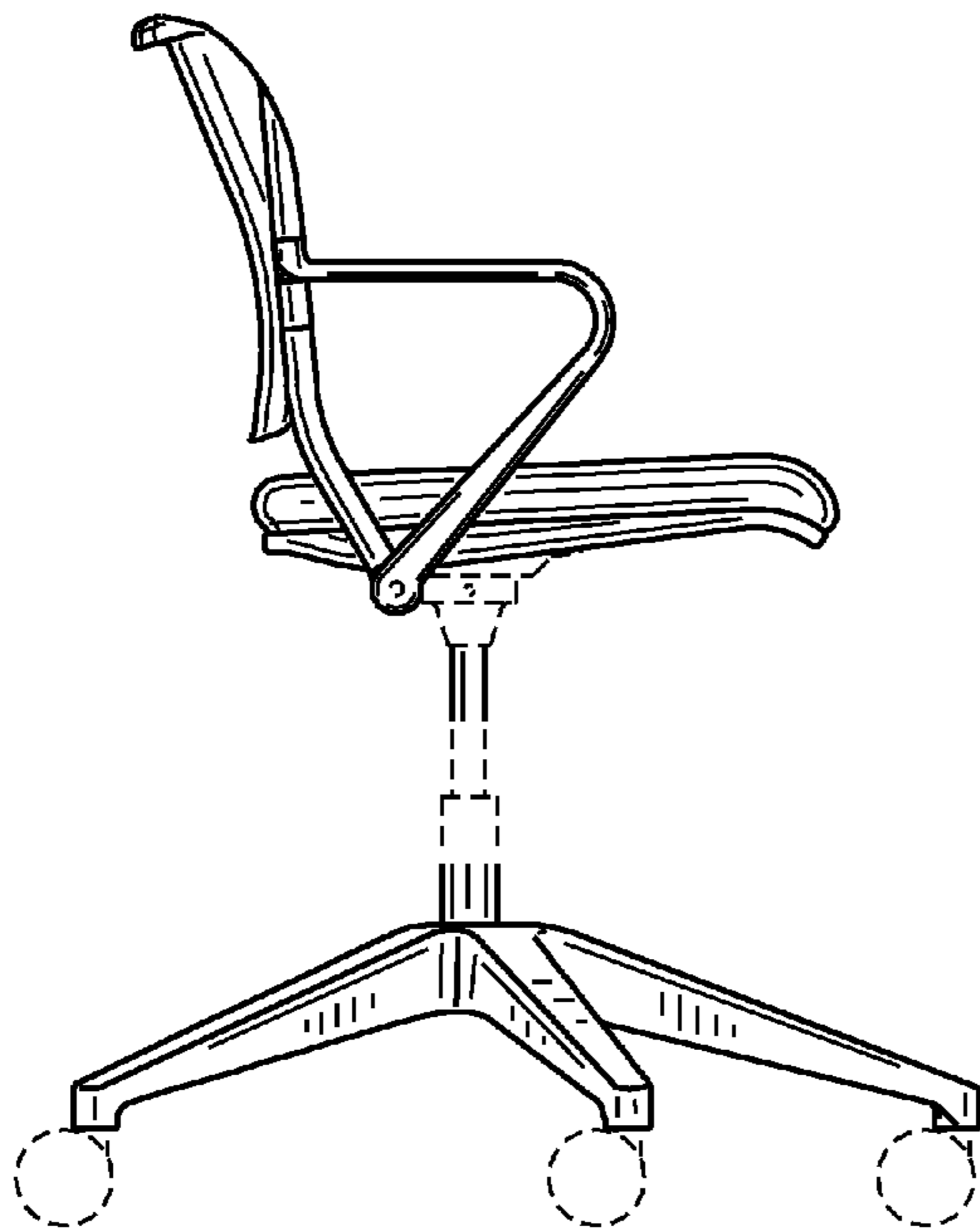
FIG. 8 is a top plan view thereof;

FIG. 9 is a rear elevation view thereof; and,

FIG. 10 is a bottom plan view thereof.

The broken line showing of portion of the task chair is included for the purpose of illustrating environmental structure and forms no part of the claimed design.

**1 Claim, 6 Drawing Sheets**



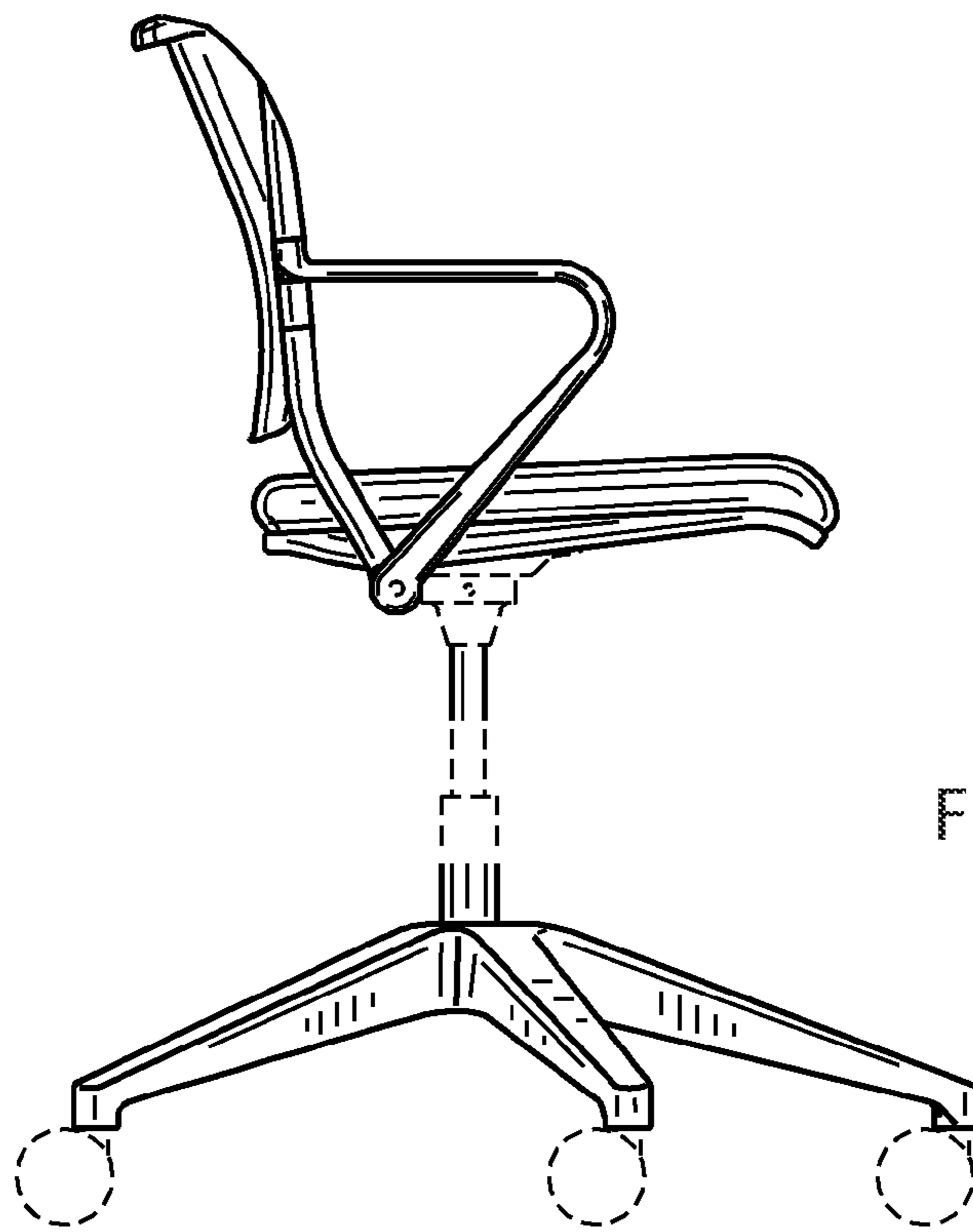


FIG. 1

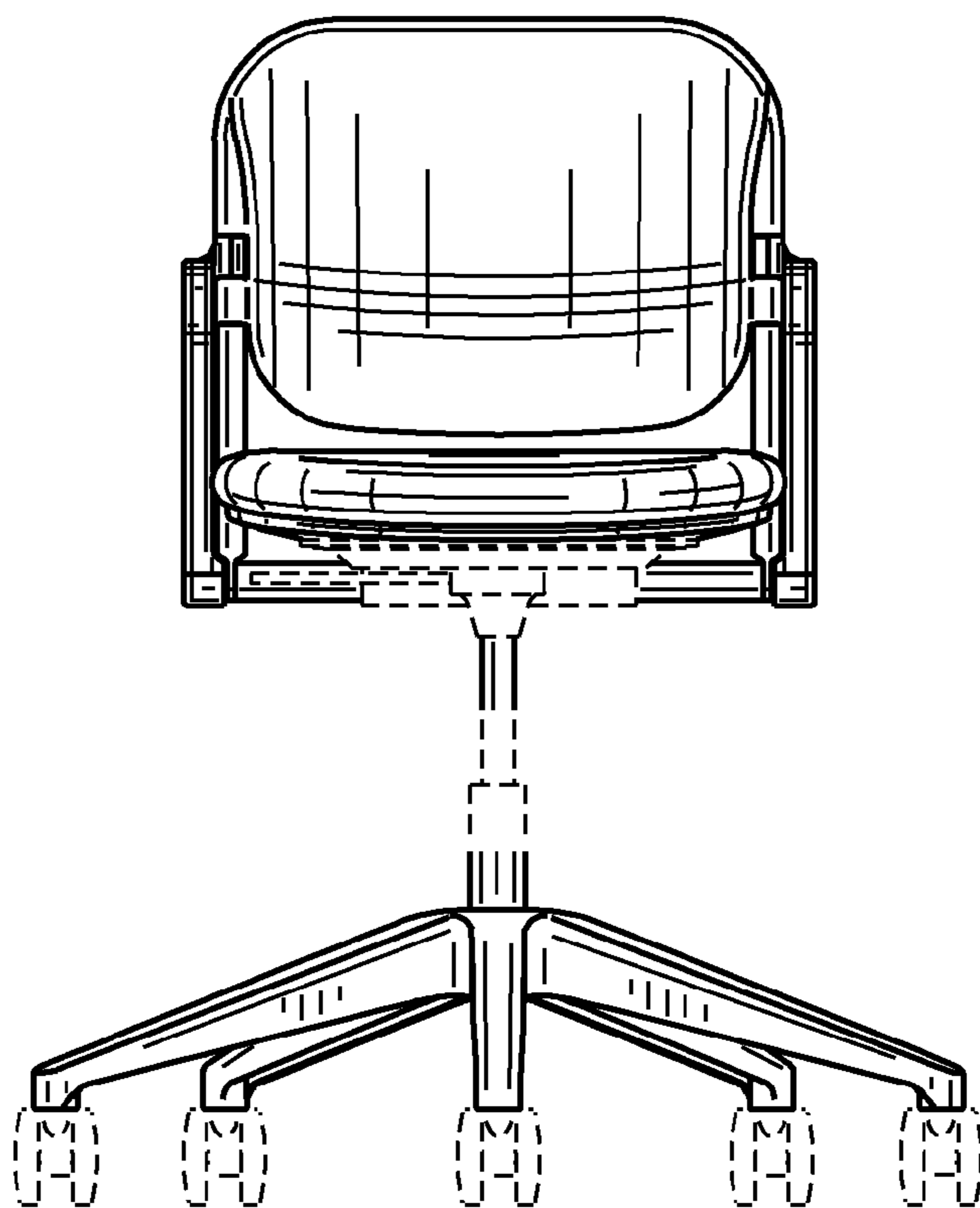


FIG. 2

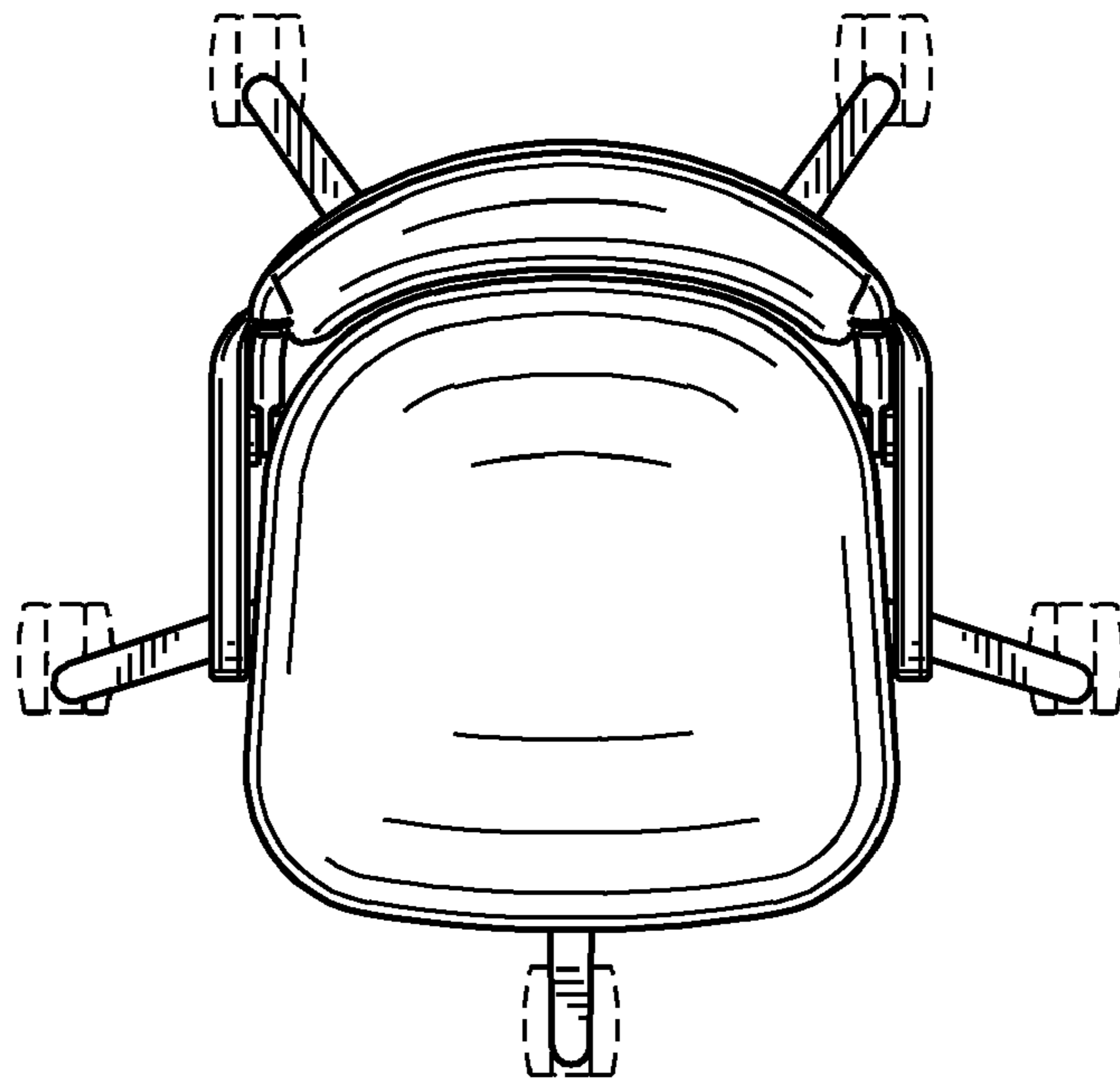


FIG. 3

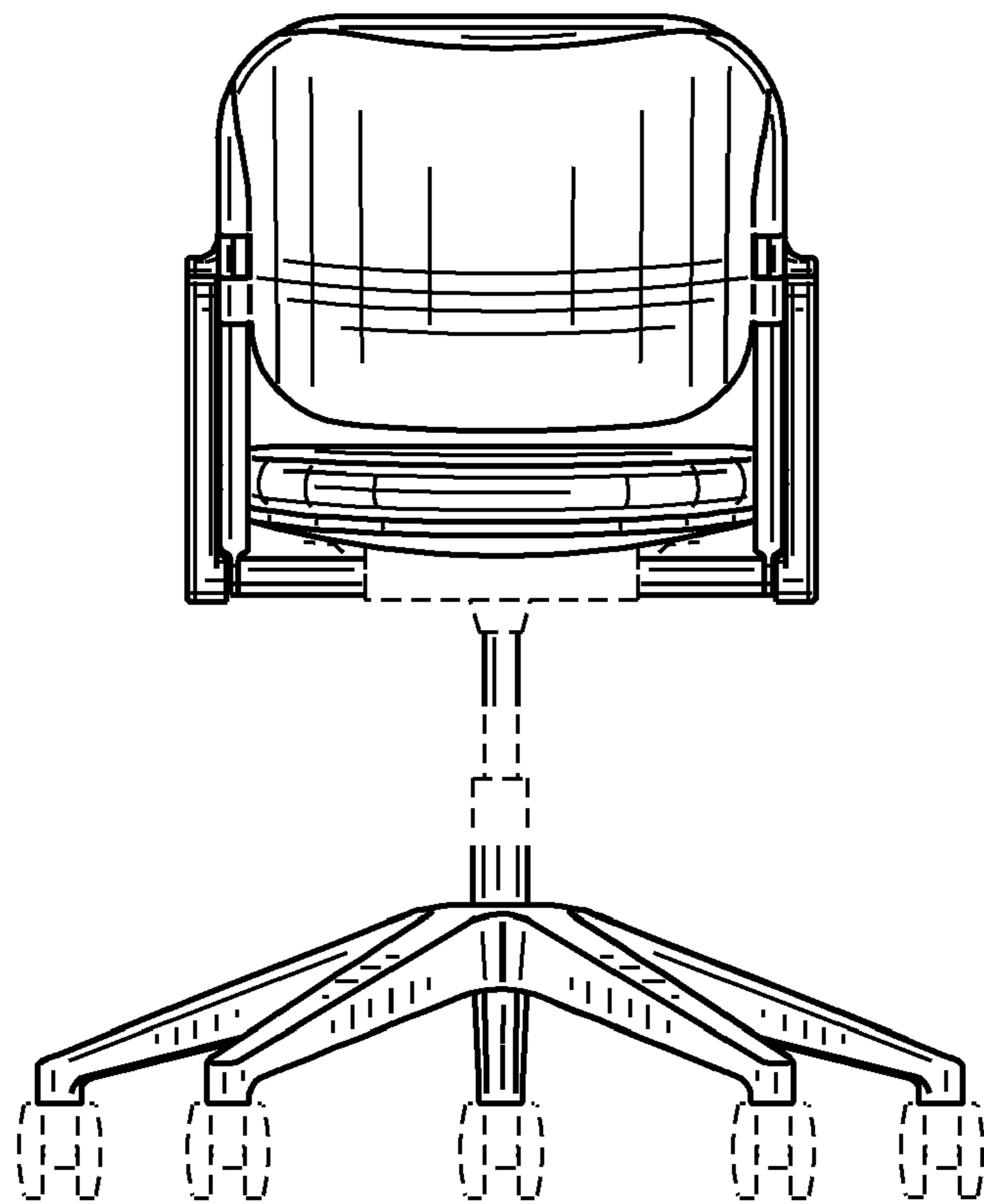


FIG. 4

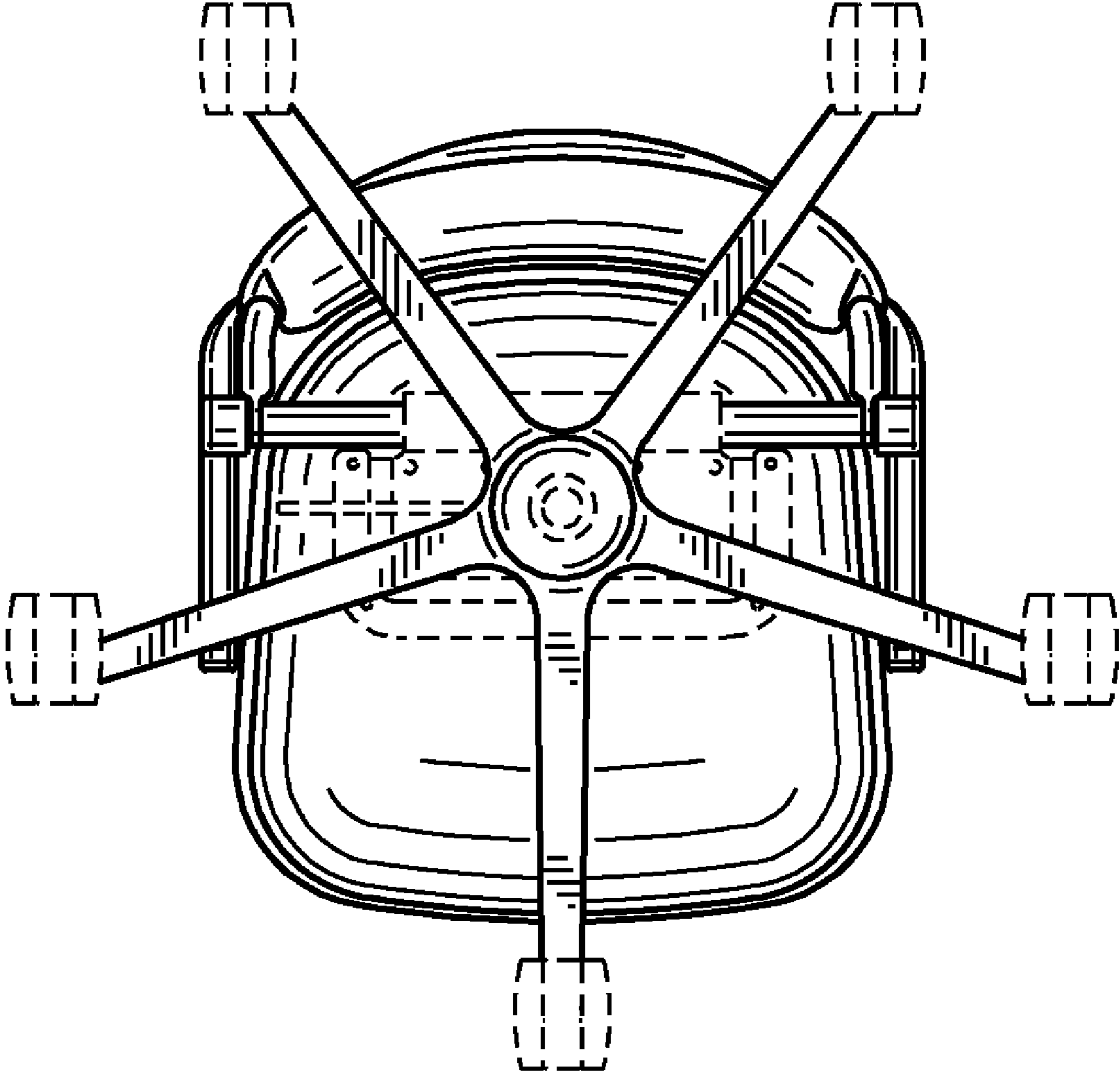


FIG. 5

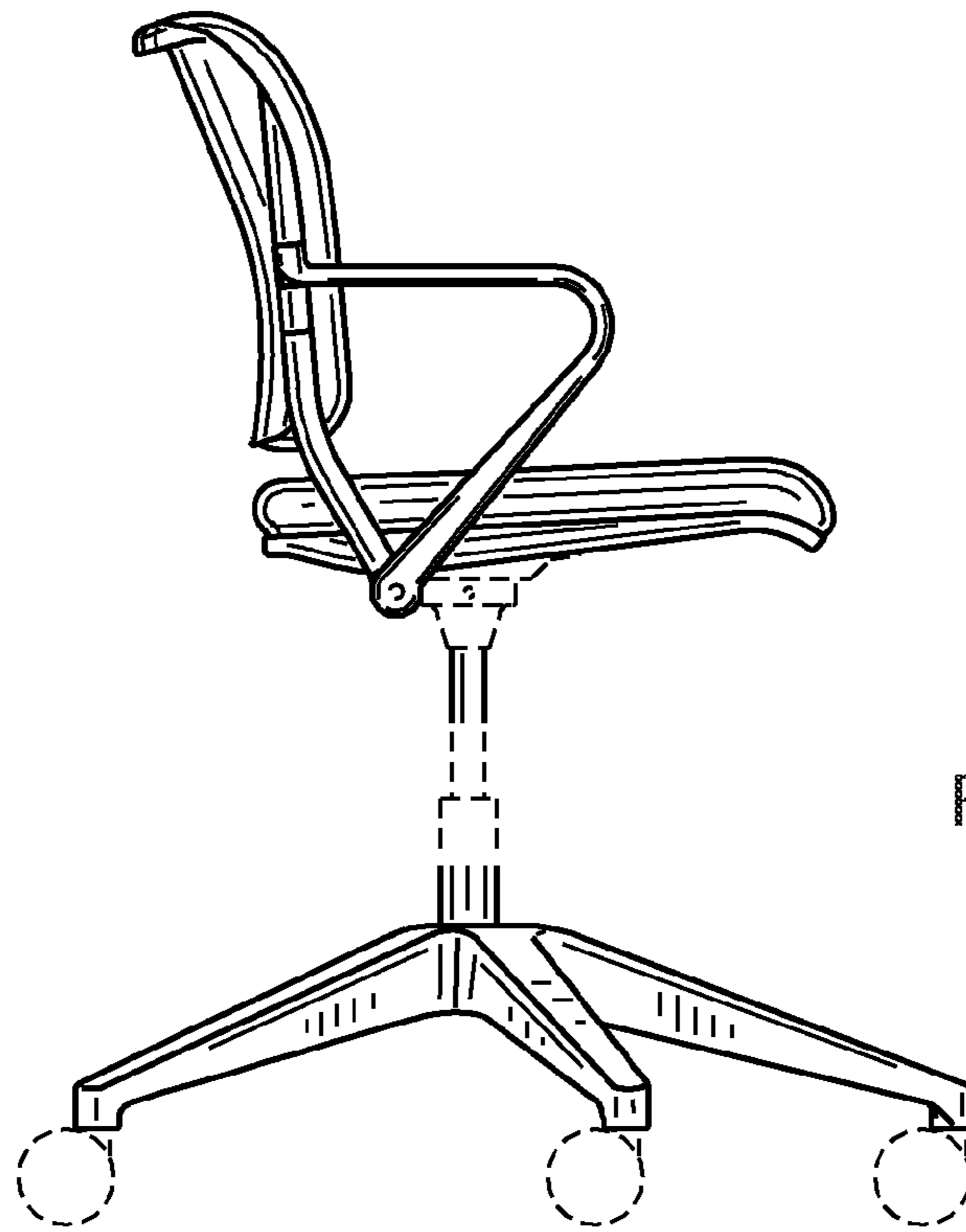


FIG. 6

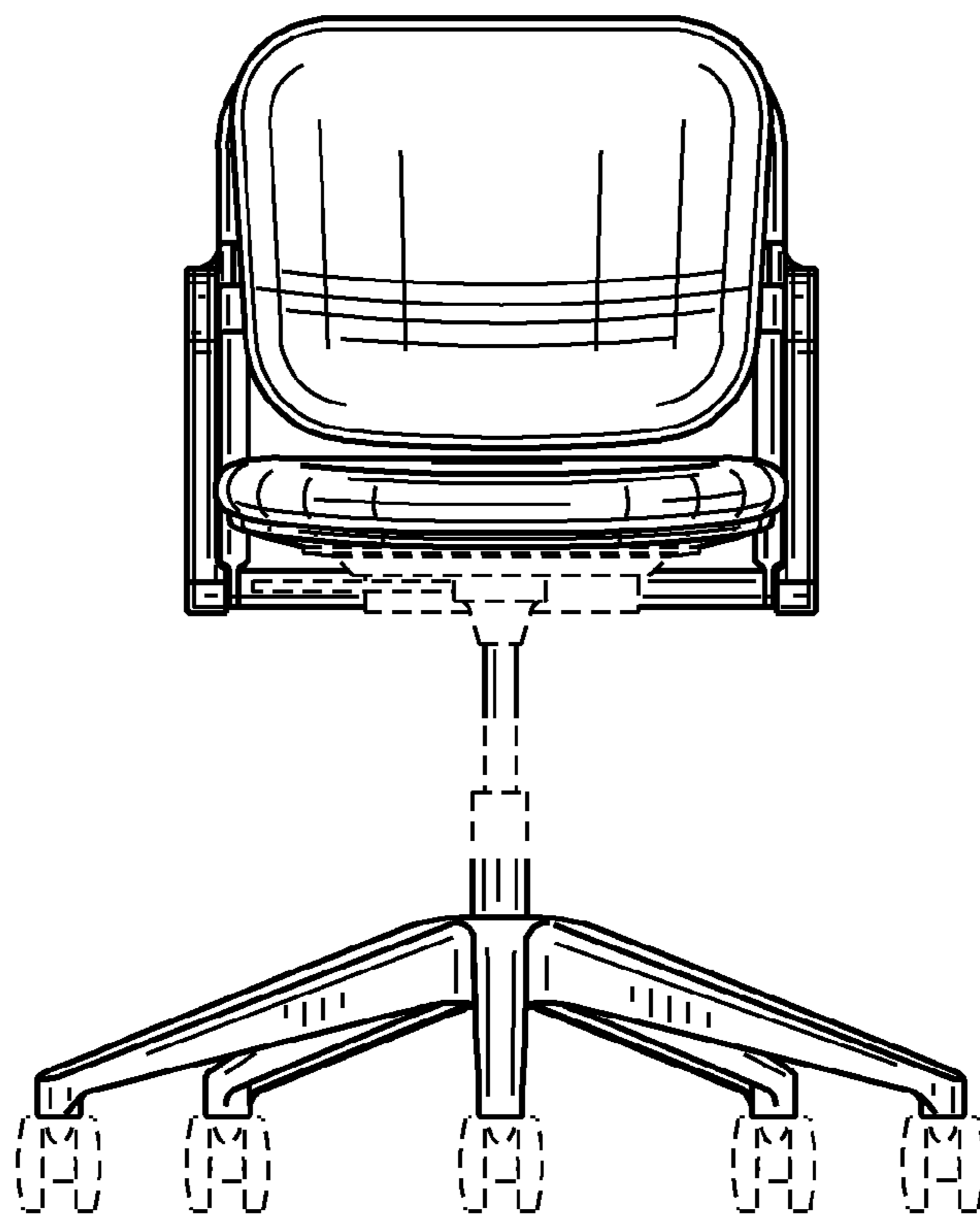


FIG. 7

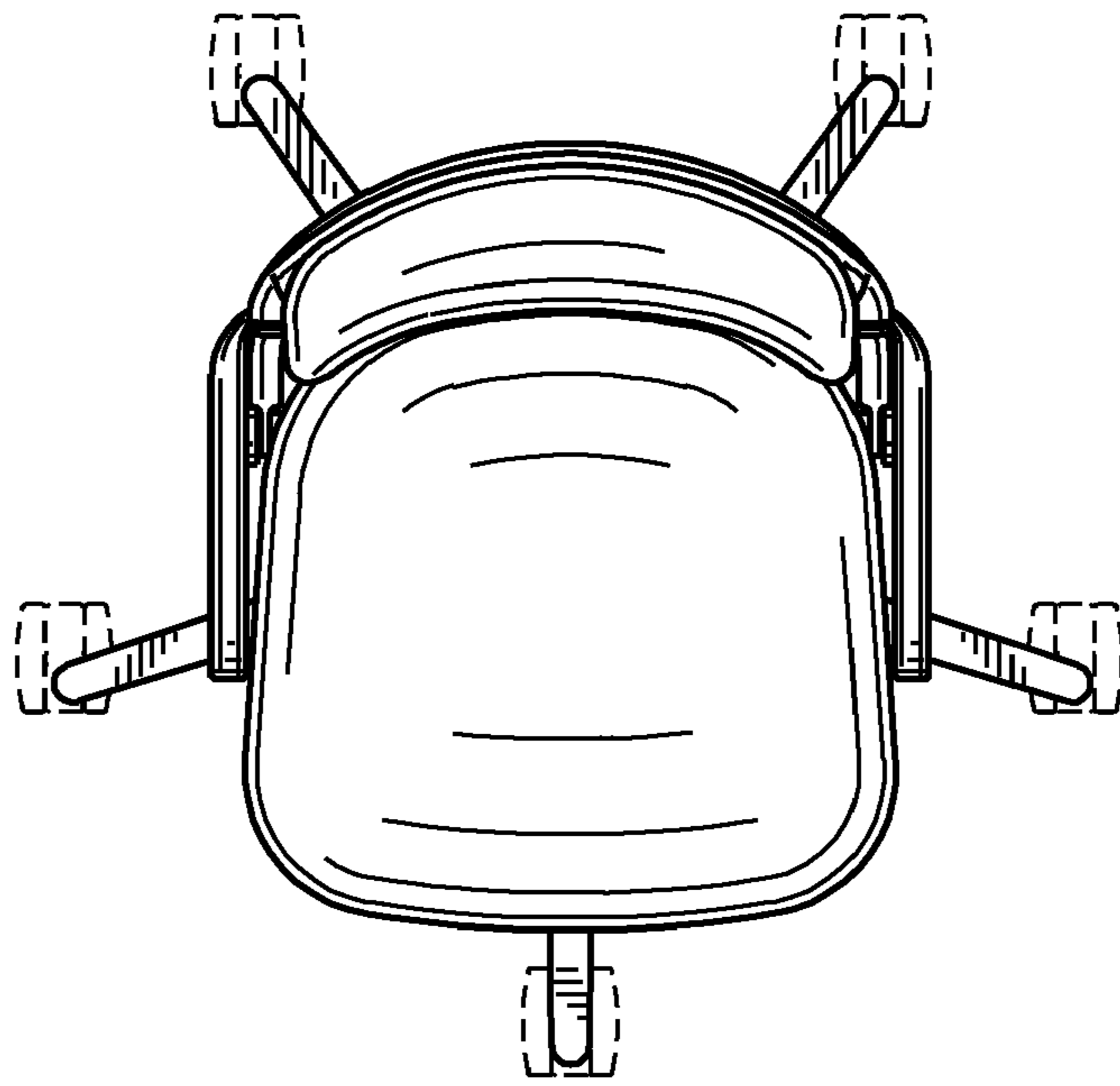


FIG. 8

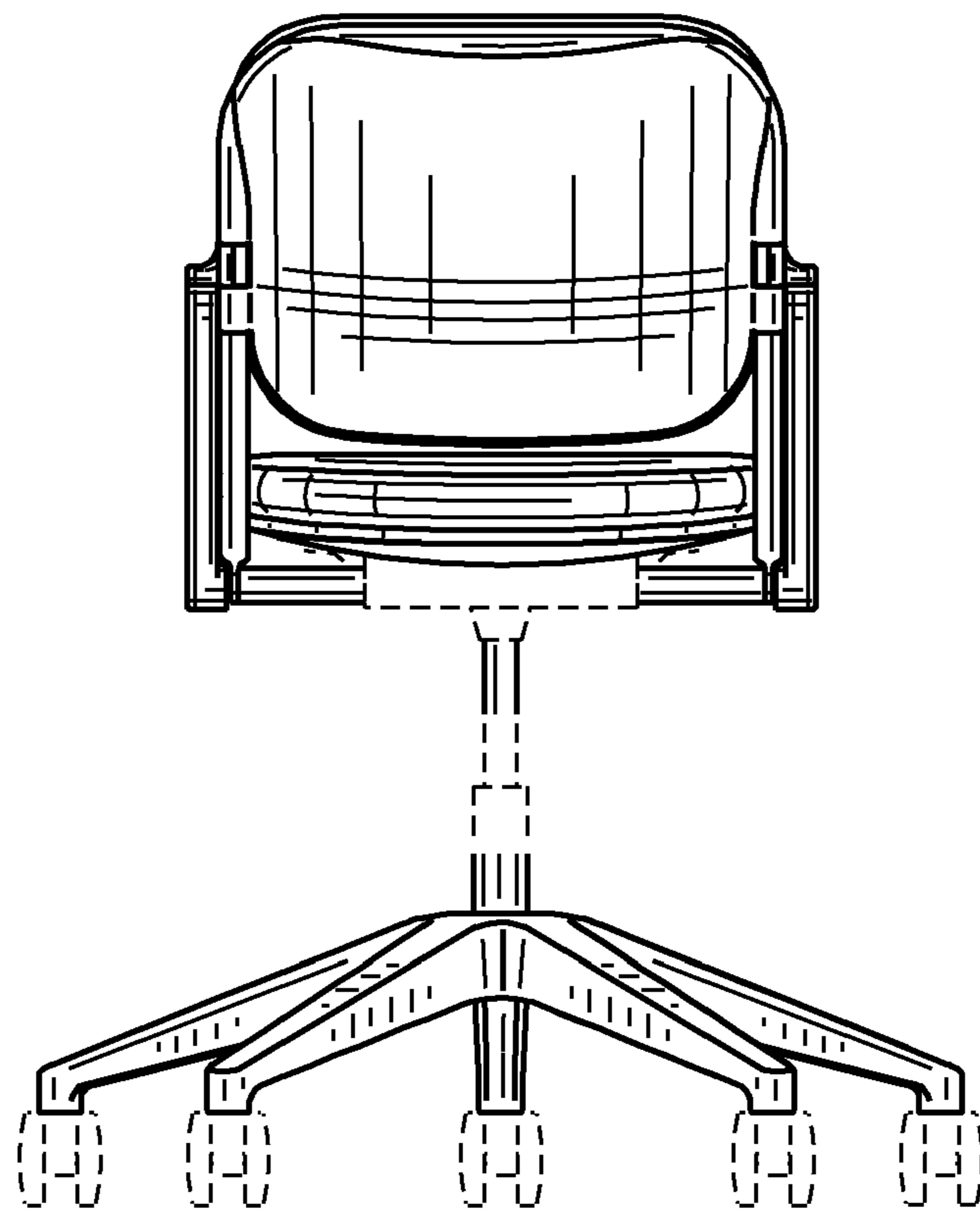


FIG. 9

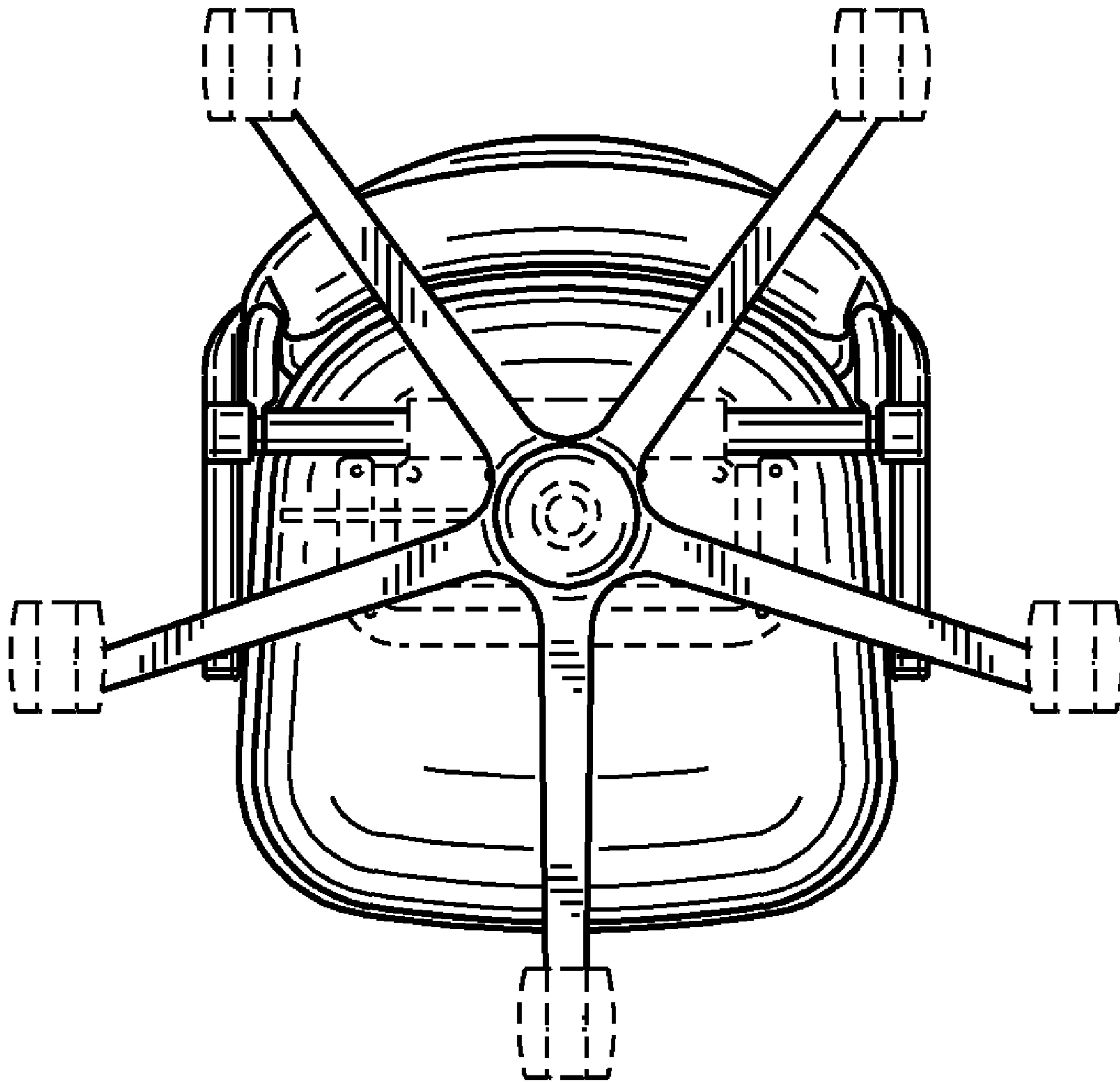


FIG. 10

UNITED STATES PATENT AND TRADEMARK OFFICE  
**CERTIFICATE OF CORRECTION**

PATENT NO. : Des. 610,823 S  
APPLICATION NO. : 29/340317  
DATED : March 2, 2010  
INVENTOR(S) : Giancarlo Piretti

Page 1 of 1

It is certified that error appears in the above-identified patent and that said Letters Patent is hereby corrected as shown below:

Title page, description

The broken line showing “of” --a-- portion of the task chair is included for the purpose of illustrating environmental structure and forms no part of the claimed design.

Signed and Sealed this

Thirteenth Day of April, 2010



David J. Kappos  
*Director of the United States Patent and Trademark Office*