



US00D610822S

(12) **United States Design Patent**  
**Chen**

(10) **Patent No.:** **US D610,822 S**  
(45) **Date of Patent:** **\*\* Mar. 2, 2010**

(54) **OFFICE CHAIR**

(76) **Inventor:** **Yung-Hua Chen**, 1F, No. 2, Lane 157,  
Wan-an Street, Sinjhuang City, Taipei  
County 242 (TW)

(\*\*) **Term:** **14 Years**

(21) **Appl. No.:** **29/311,215**

(22) **Filed:** **Jan. 21, 2009**

(51) **LOC (9) Cl.** ..... **06-01**

(52) **U.S. Cl.** ..... **D6/366**

(58) **Field of Classification Search** ..... D6/334-336,  
D6/360-369, 374, 379-380, 498, 500-502;  
297/284.4, 411.27, 452.13, 452.19, 452.21,  
297/452.29, 452.3, 452.56, 452.64  
See application file for complete search history.

(56) **References Cited**

**U.S. PATENT DOCUMENTS**

D436,260 S *	1/2001	Nagamitsu	.....	D6/366
D436,456 S *	1/2001	Neil	.....	D6/366
D481,879 S *	11/2003	Su	.....	D6/366
D486,656 S *	2/2004	Su	.....	D6/366
D489,542 S *	5/2004	Giugiaro	.....	D6/366
D499,564 S *	12/2004	Meda	.....	D6/366
D507,124 S *	7/2005	Yang	.....	D6/366
D512,232 S *	12/2005	Wu	.....	D6/366
D543,717 S *	6/2007	Chen	.....	D6/366
D548,994 S *	8/2007	Mao	.....	D6/366
D549,473 S *	8/2007	Wagner	.....	D6/366

D552,857 S *	10/2007	Wang	.....	D6/366
D557,024 S *	12/2007	Chen	.....	D6/366
D557,025 S *	12/2007	Chen	.....	D6/366
D557,914 S *	12/2007	Ong	.....	D6/366
D568,624 S *	5/2008	Wen	.....	D6/366
D571,569 S *	6/2008	Fancelli	.....	D6/366
D572,493 S *	7/2008	Zhang	.....	D6/366
D573,361 S *	7/2008	Kung	.....	D6/366
D576,416 S *	9/2008	Su	.....	D6/366
D585,205 S *	1/2009	Wen	.....	D6/366

\* cited by examiner

*Primary Examiner*—Caron Veynar

*Assistant Examiner*—Ricky Pham

(74) *Attorney, Agent, or Firm*—Rosenberg, Klein & Lee

(57) **CLAIM**

The ornamental design for an office chair, as shown.

**DESCRIPTION**

FIG. 1 is a perspective view of a office chair showing my new design;

FIG. 2 is a front elevational view thereof;

FIG. 3 is a rear elevational view thereof;

FIG. 4 is a left side elevational view thereof;

FIG. 5 is a right side elevational view thereof;

FIG. 6 is a top plan view thereof; and,

FIG. 7 is a bottom plan view thereof.

**1 Claim, 7 Drawing Sheets**



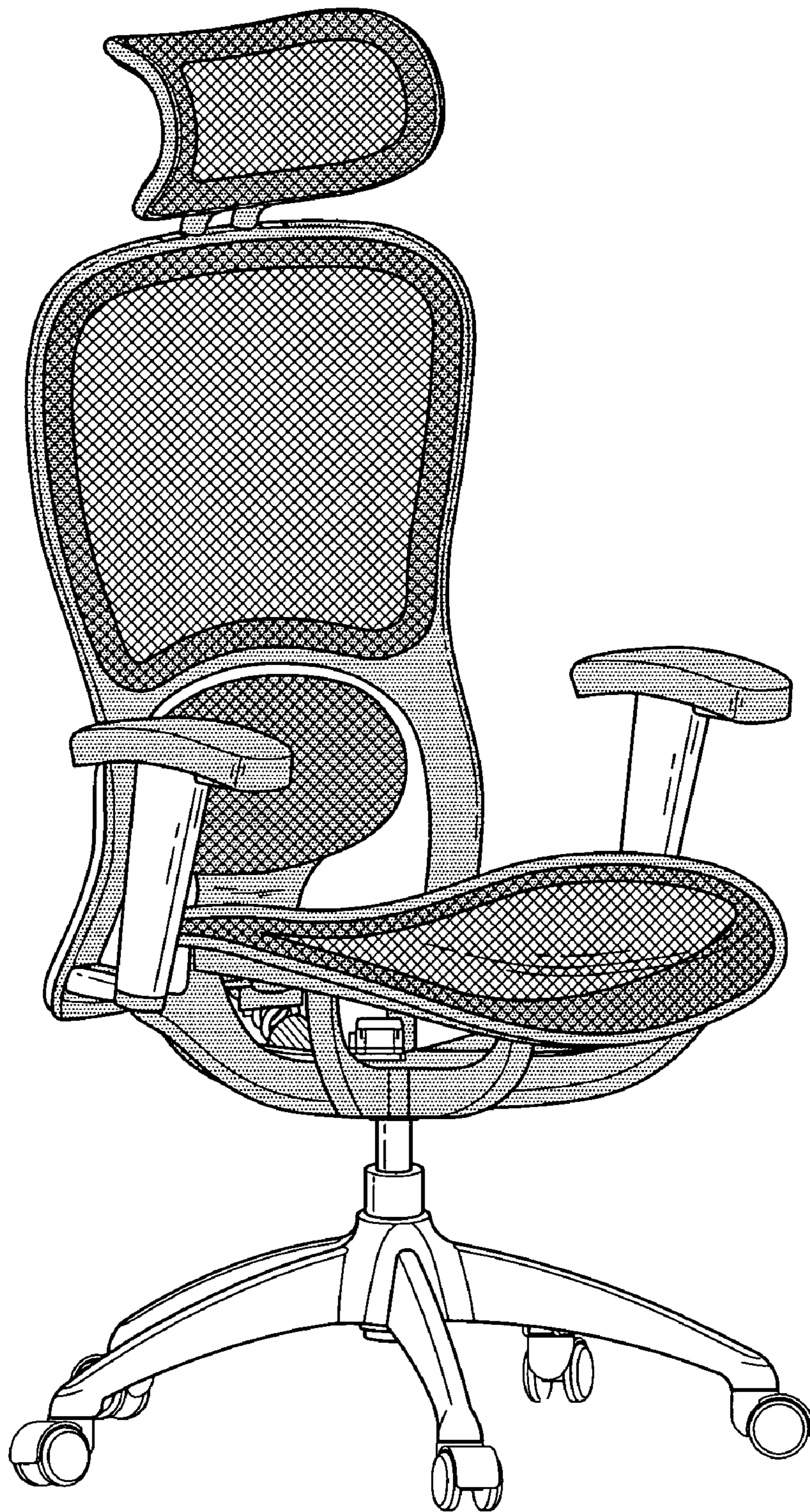


FIG.1

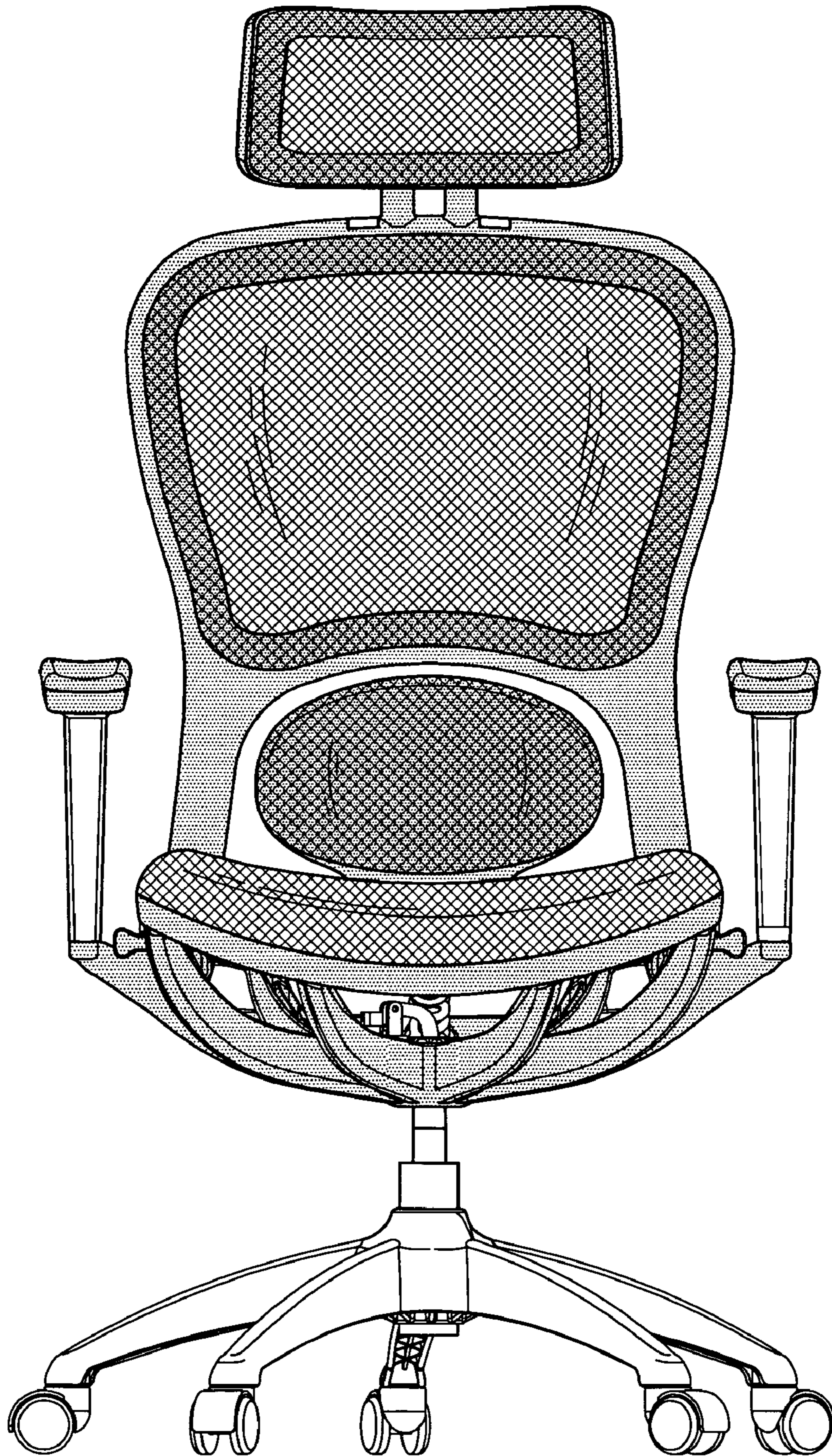


FIG.2

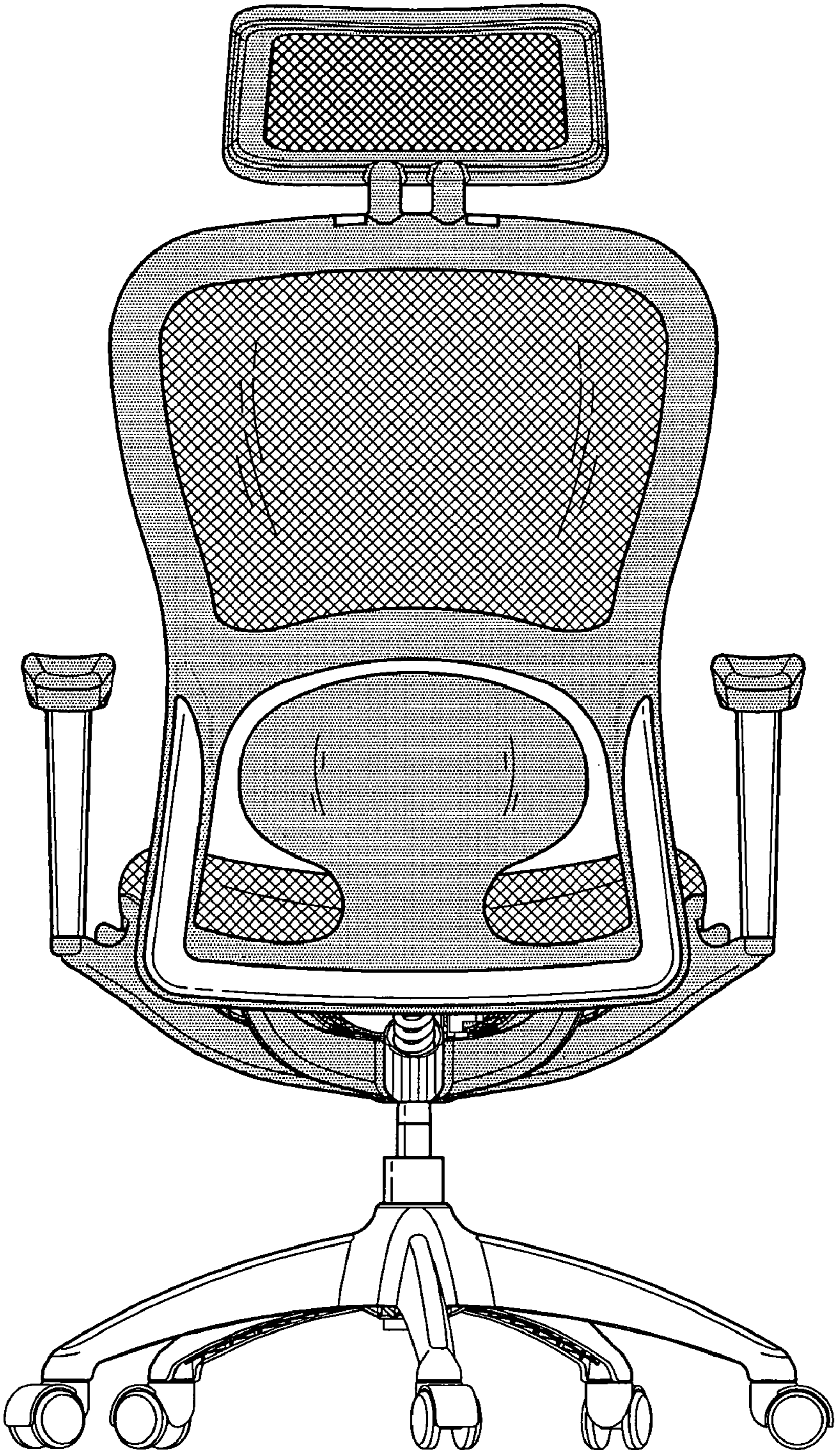


FIG.3

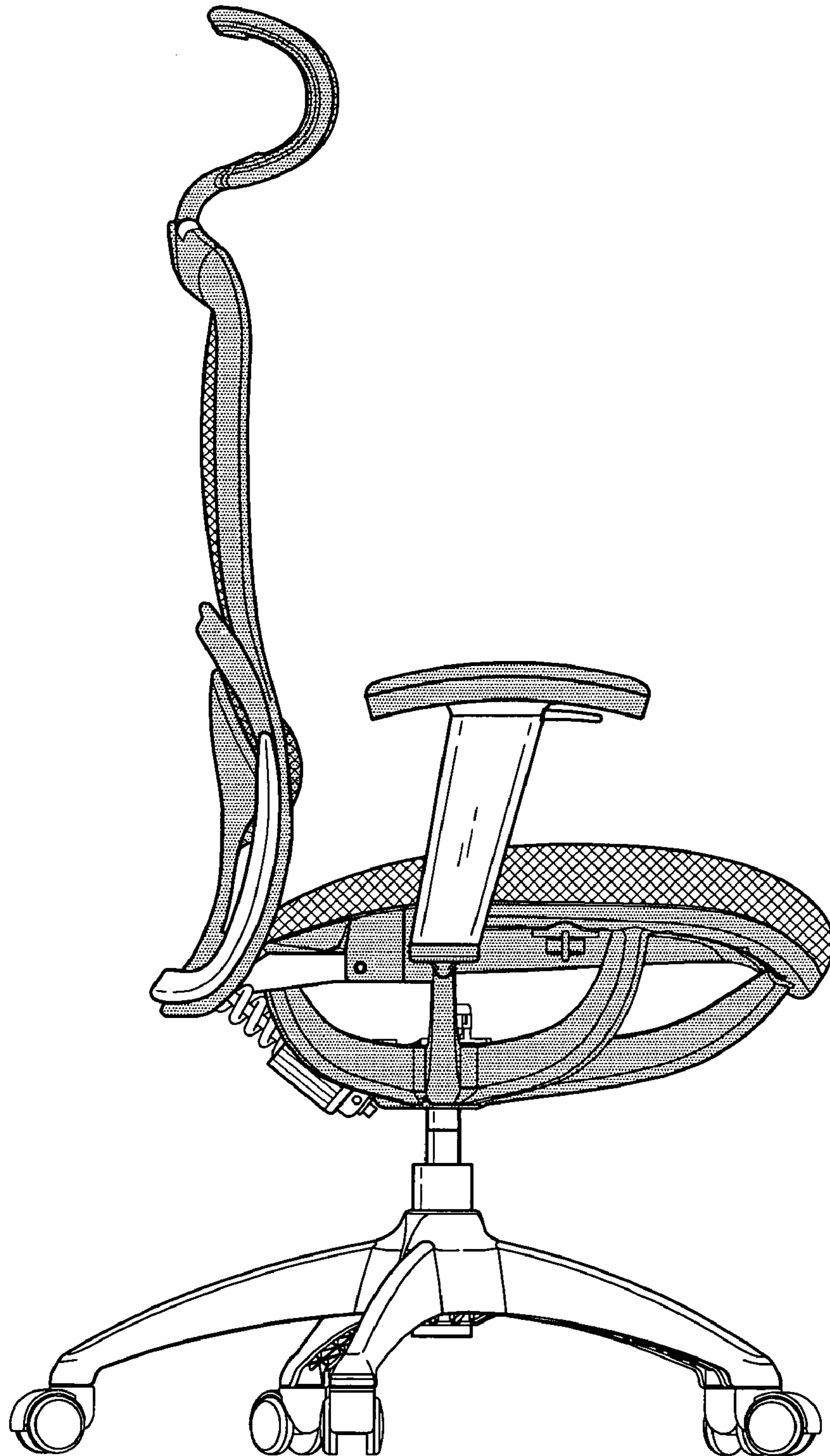


FIG.4

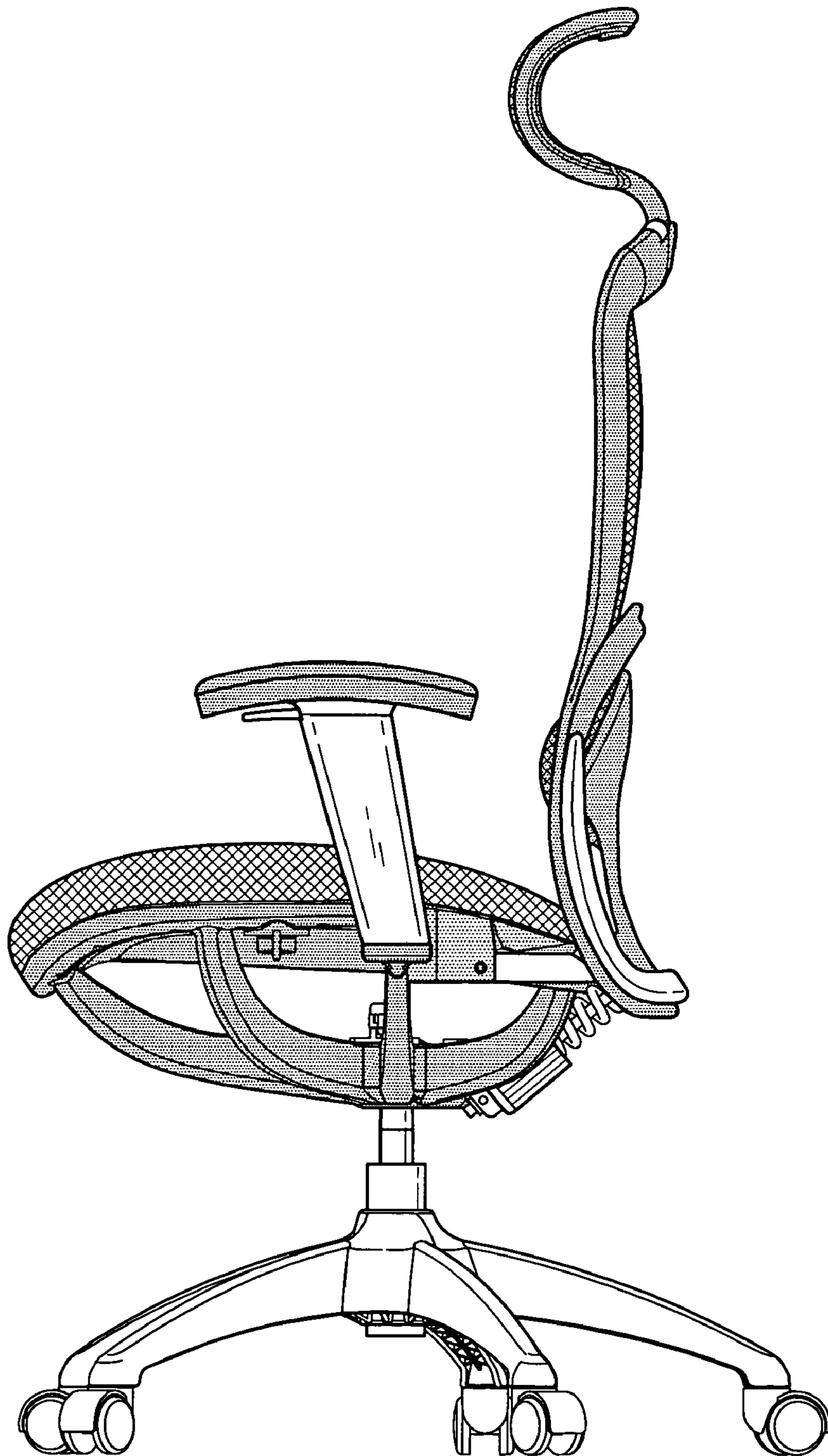


FIG.5

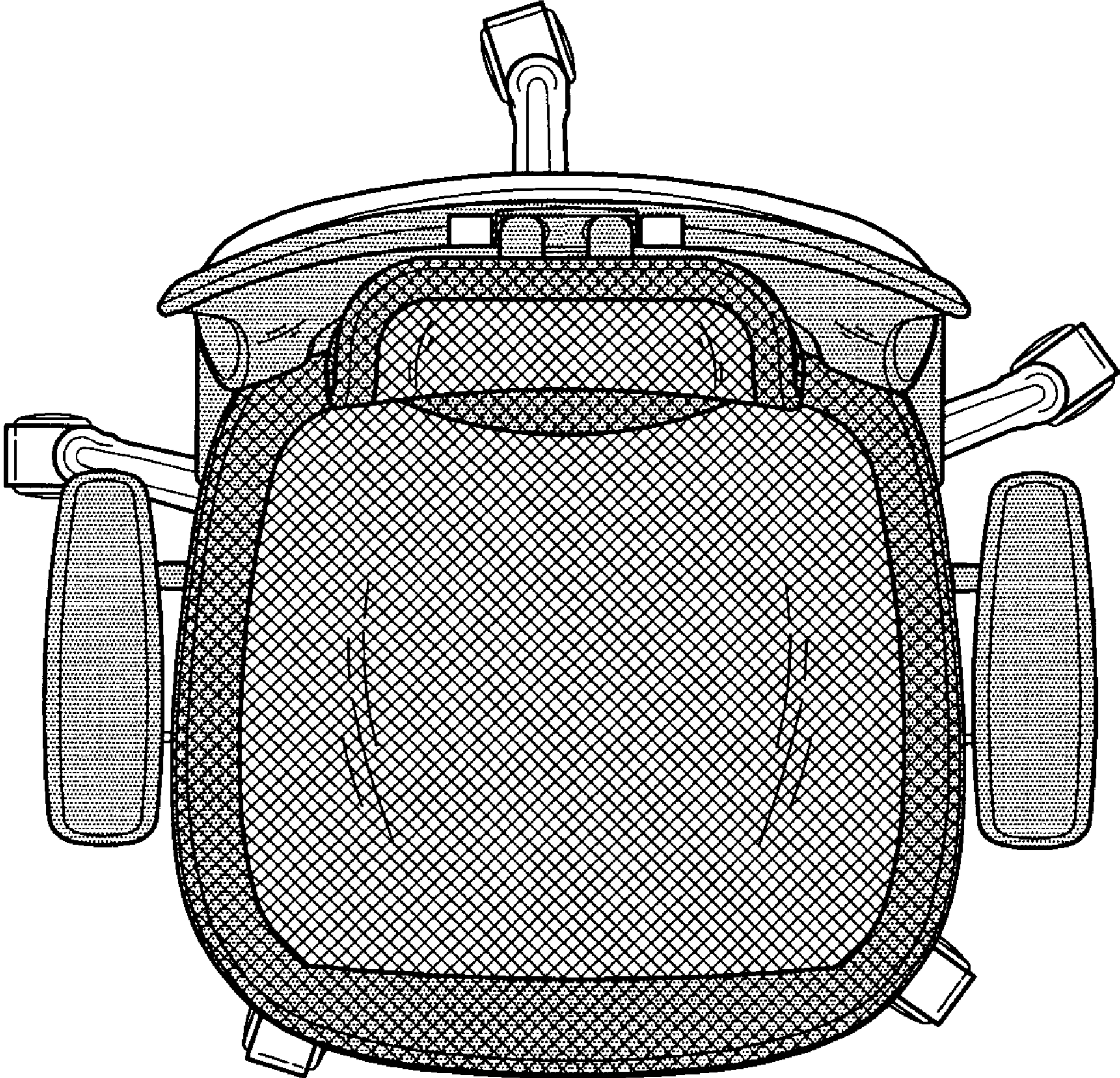


FIG.6

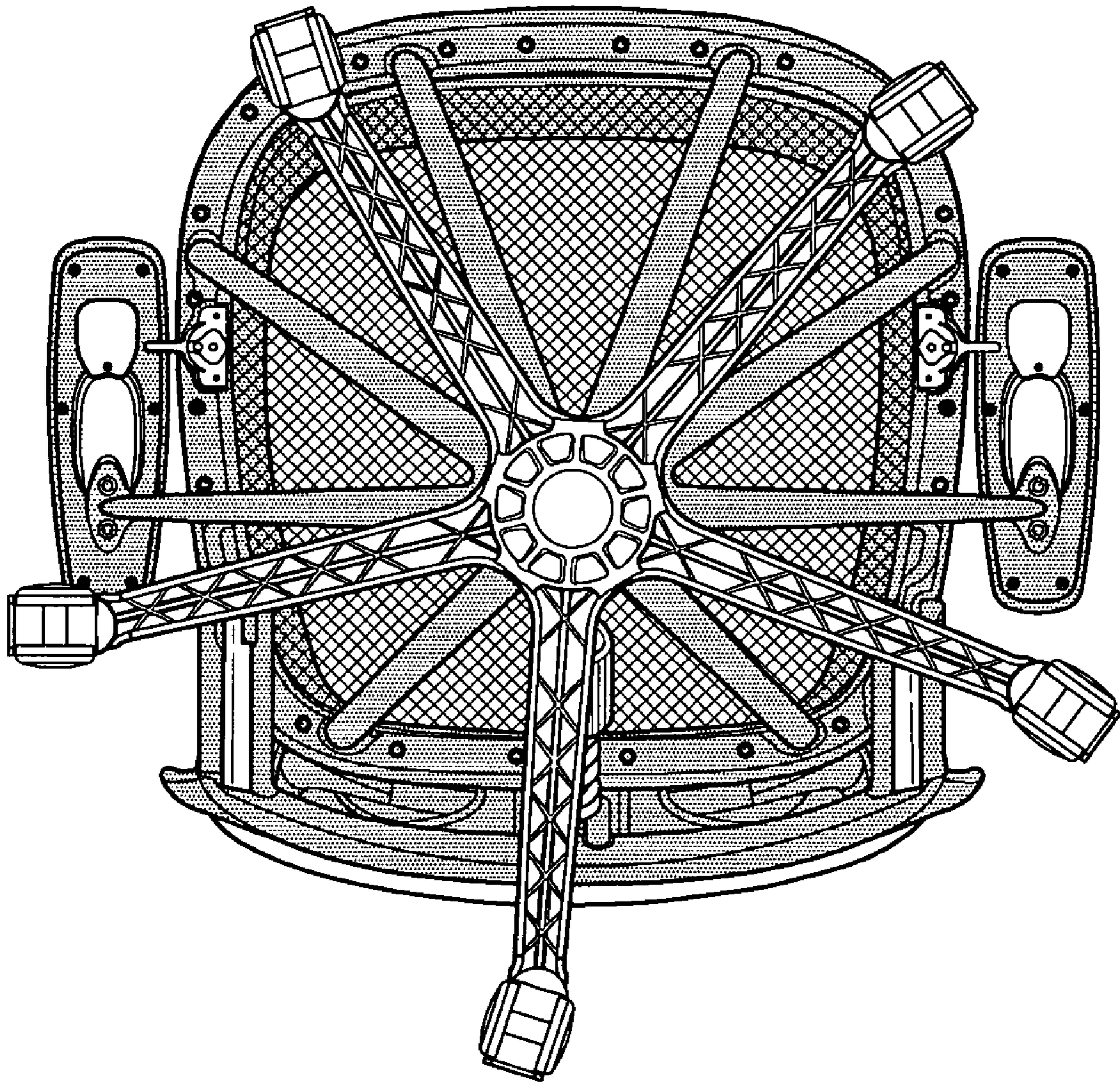


FIG. 7