



US00D610818S

(12) **United States Design Patent**  
**Crane**

(10) **Patent No.:** **US D610,818 S**

(45) **Date of Patent:** **\*\* Mar. 2, 2010**

(54) **OTTOMAN WITH FOLDING TOP CUSHION**

D557,910 S \* 12/2007 Saunders et al. .... D6/350  
D603,186 S \* 11/2009 Abe ..... D6/449

(75) Inventor: **Peter Crane**, Vernon Hills, IL (US)

\* cited by examiner

(73) Assignee: **Ross Joseph Design, LLC**, Vernon Hills, IL (US)

*Primary Examiner*—Elizabeth A Albert  
*Assistant Examiner*—Kelley A Donnelly

(\*\*) Term: **14 Years**

(74) *Attorney, Agent, or Firm*—Anthony J. Bourget

(21) Appl. No.: **29/345,069**

(57) **CLAIM**

(22) Filed: **Oct. 8, 2009**

The ornamental design for an ottoman with folding top cushion, as shown and described.

(51) **LOC (9) Cl.** ..... **06-01**

(52) **U.S. Cl.** ..... **D6/349**

(58) **Field of Classification Search** ..... D6/349–350,  
D6/352–353, 335, 355; 297/423.1, 423.29,  
297/423.41, 423.46, 461, 462

See application file for complete search history.

**DESCRIPTION**

(56) **References Cited**

U.S. PATENT DOCUMENTS

|               |         |                   |       |           |
|---------------|---------|-------------------|-------|-----------|
| D151,983 S *  | 12/1948 | Guertin           | ..... | D6/336    |
| D365,729 S *  | 1/1996  | Wold              | ..... | D7/610    |
| 5,538,320 A * | 7/1996  | Hoffman et al.    | ..... | 297/188.1 |
| D384,211 S *  | 9/1997  | Wied et al.       | ..... | D6/351    |
| D394,163 S *  | 5/1998  | Lewis             | ..... | D6/349    |
| D400,363 S *  | 11/1998 | Lewis             | ..... | D6/349    |
| 5,893,182 A * | 4/1999  | Sutherland et al. | ..... | 5/13      |
| D424,822 S *  | 5/2000  | Lewis             | ..... | D6/349    |
| D461,061 S *  | 8/2002  | Kent              | ..... | D6/336    |
| D477,165 S *  | 7/2003  | Petri             | ..... | D6/510    |
| D506,123 S *  | 6/2005  | English et al.    | ..... | D8/358    |
| D530,529 S *  | 10/2006 | Gehry             | ..... | D6/349    |

FIG. 1 is a perspective view of an ottoman with folding top cushion showing my new design;

FIG. 2 is an exploded perspective view thereof;

FIG. 3 is an exploded right perspective view thereof with top cushion flipped and unfolded;

FIG. 4 is a right perspective view thereof with top cushion flipped and unfolded;

FIG. 5 is a front elevational view thereof;

FIG. 6 is a rear elevational view thereof;

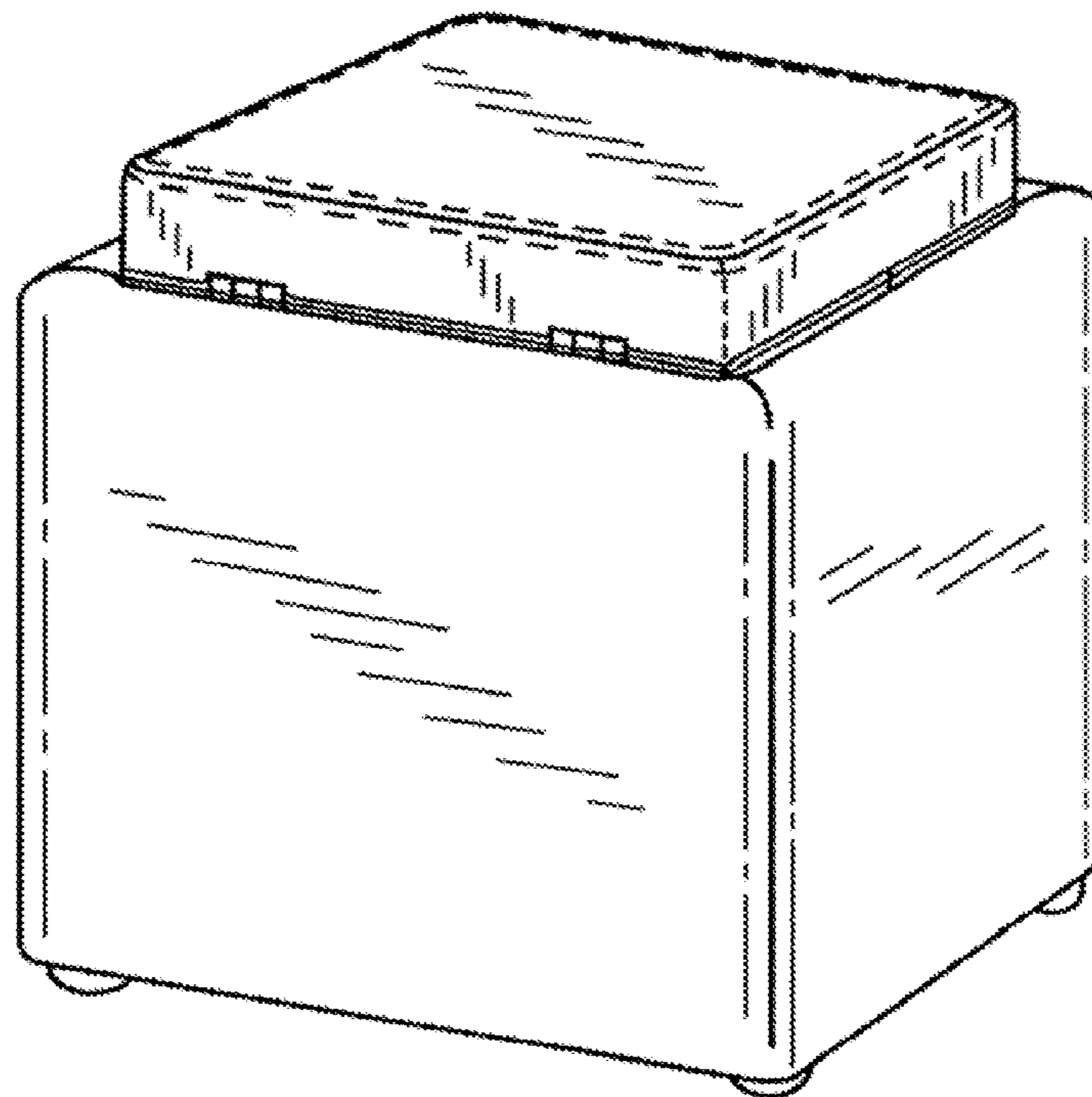
FIG. 7 is a top plan view thereof.

FIG. 8 is a top plan view thereof with top cushion flipped and folded; and,

FIG. 9 is a bottom plan view thereof.

The dashed lines presented in the drawings in FIGS. 1, 2, 3, 5, 6, and 7 are meant to represent stitching.

**1 Claim, 5 Drawing Sheets**



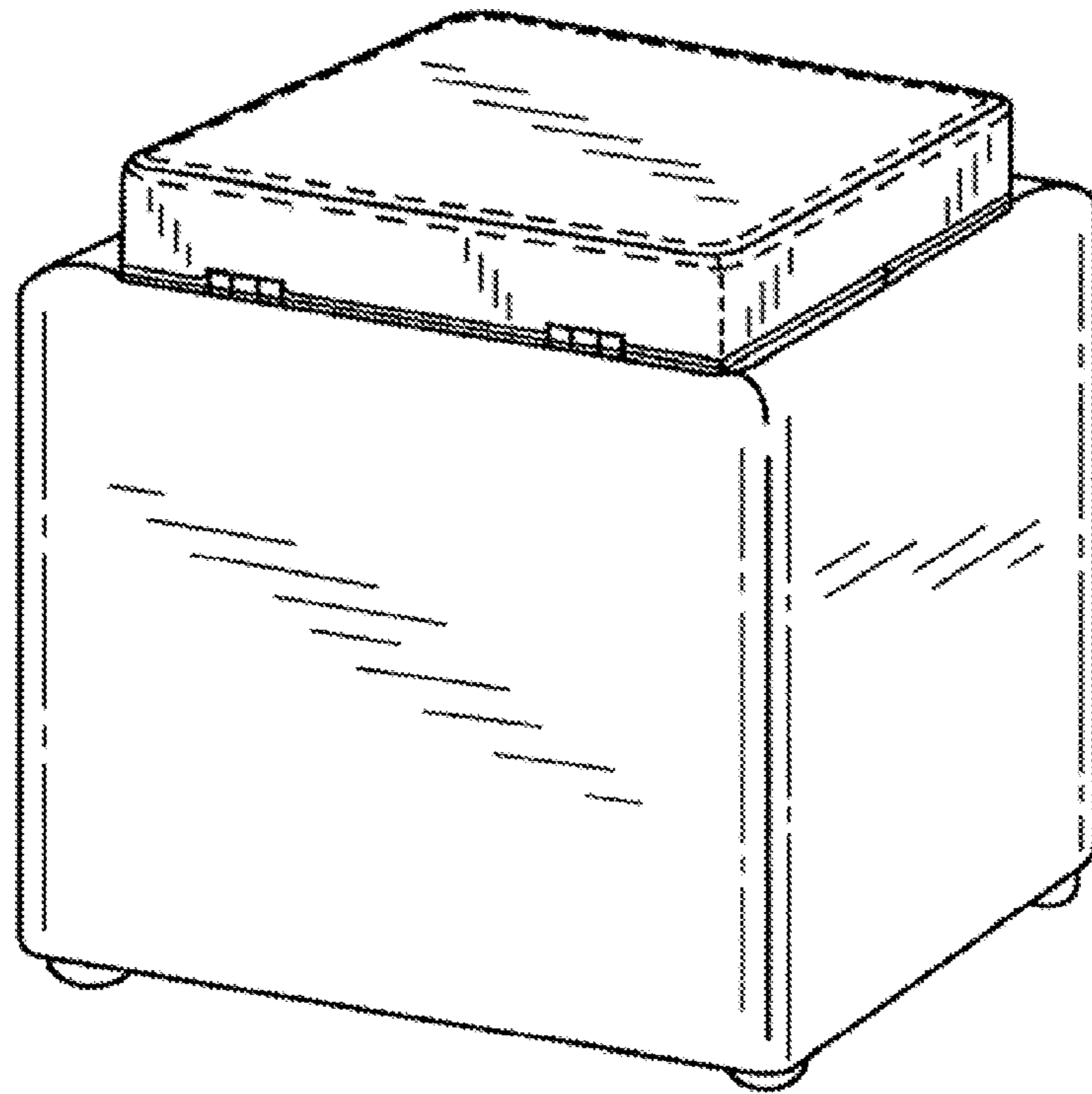


Fig. 1

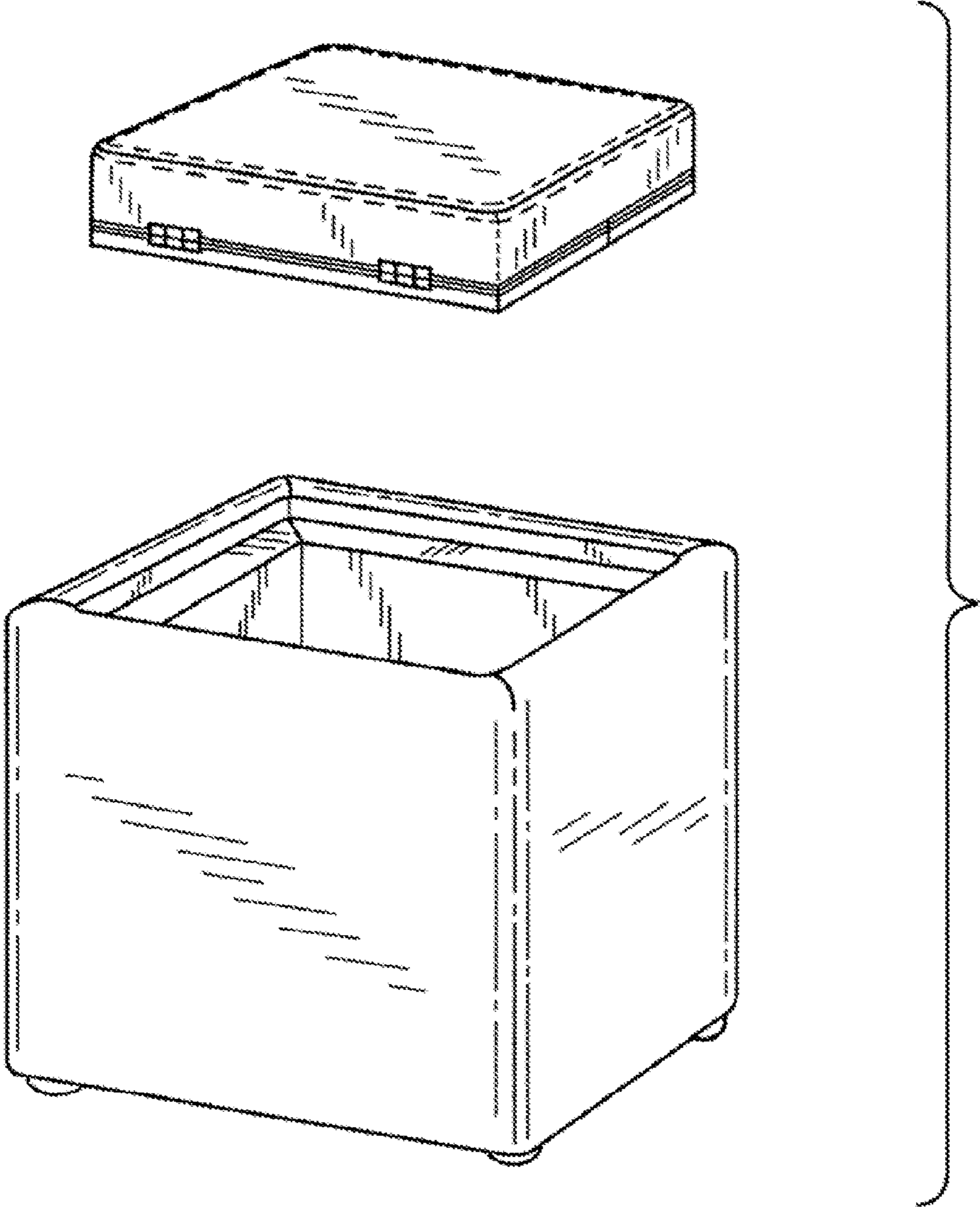


Fig. 2

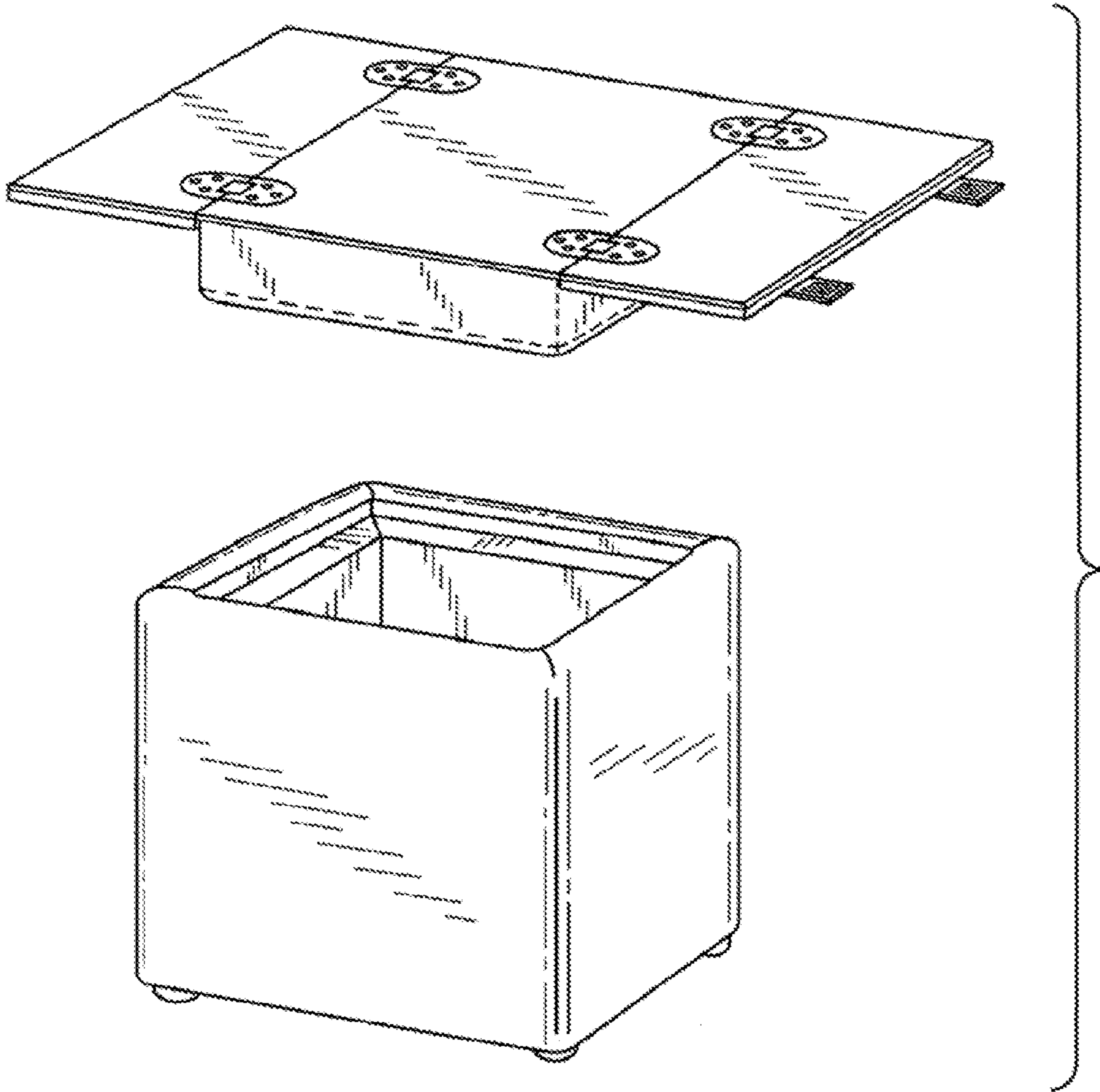


Fig. 3

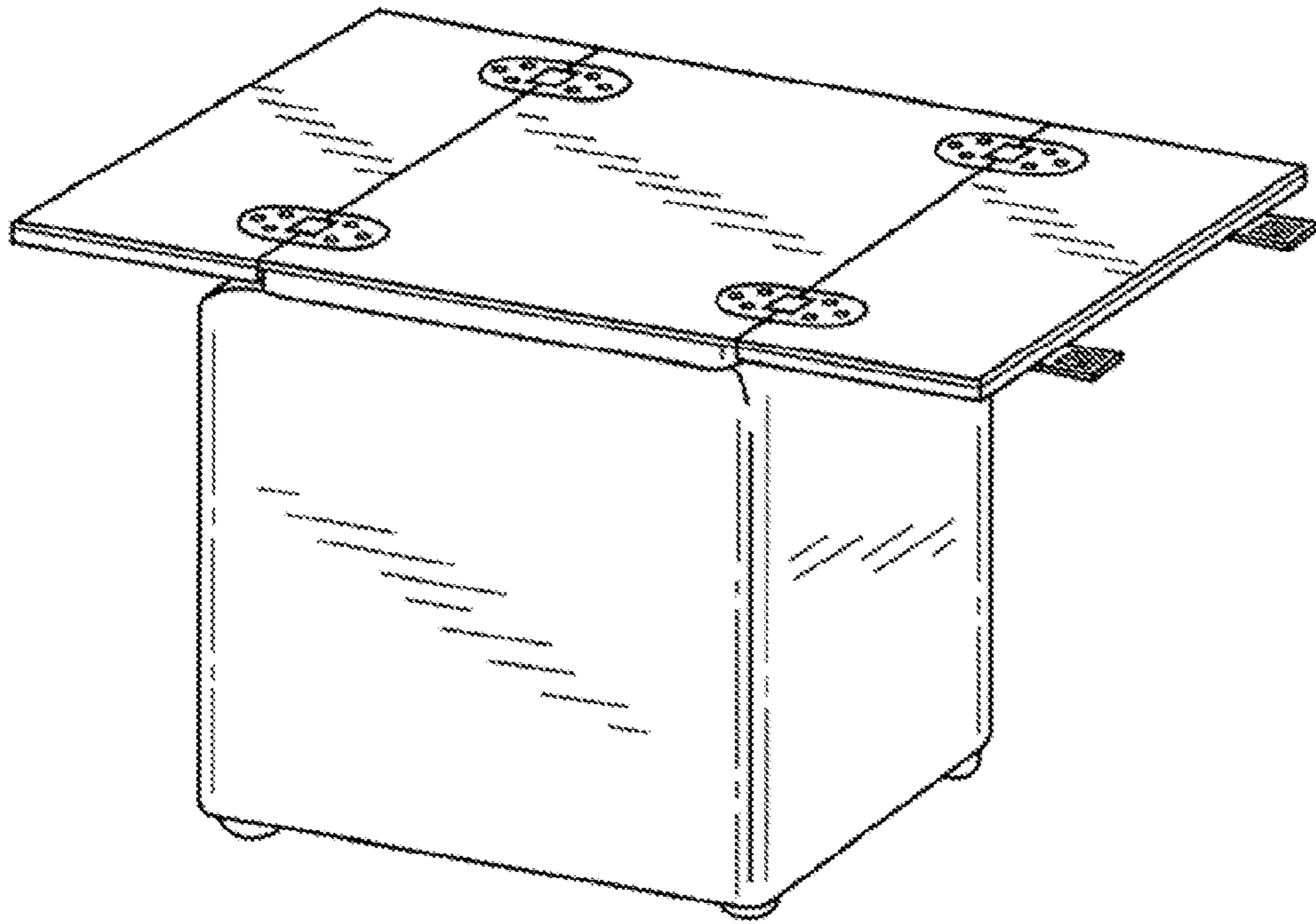


Fig. 4

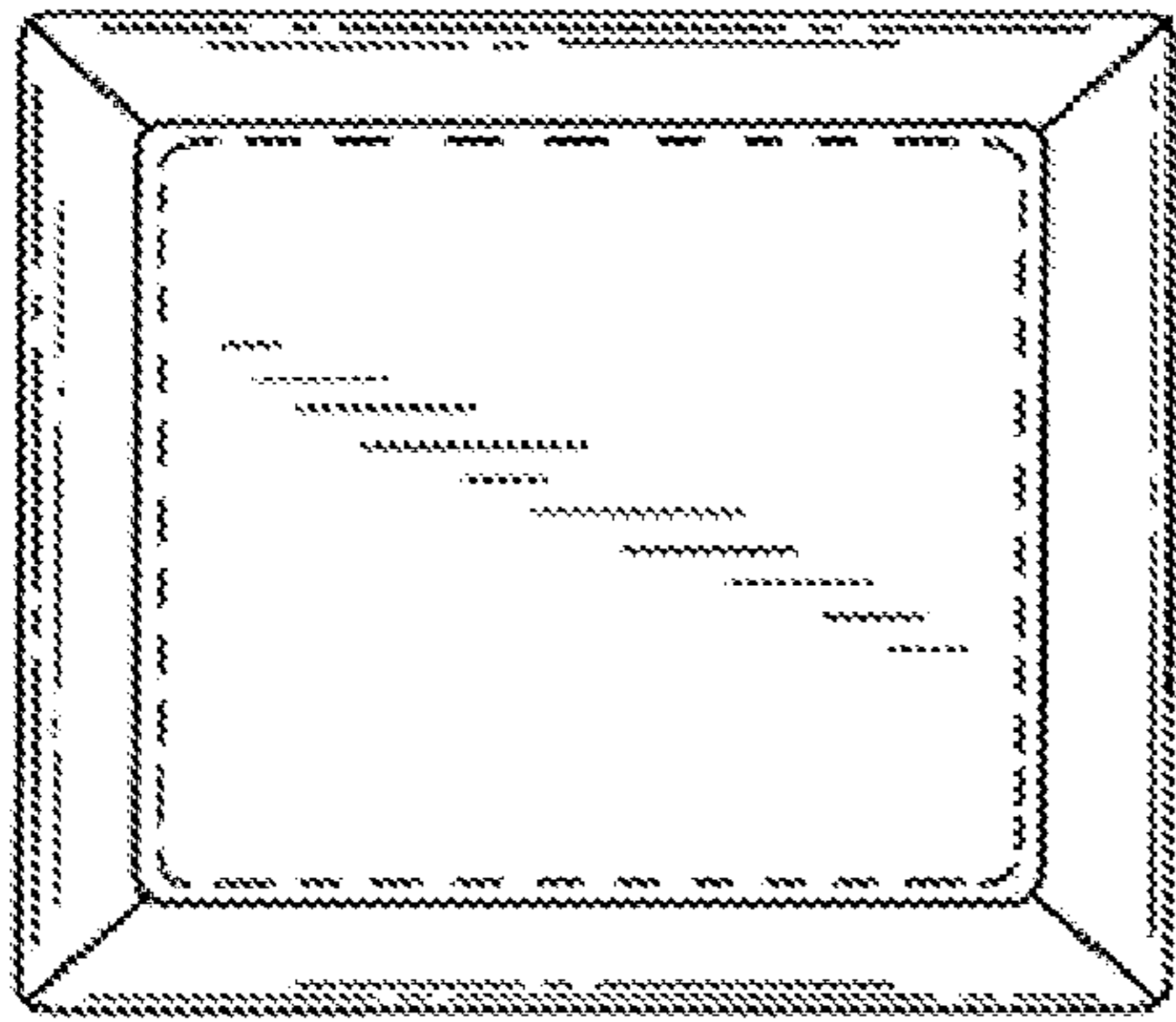


Fig. 7

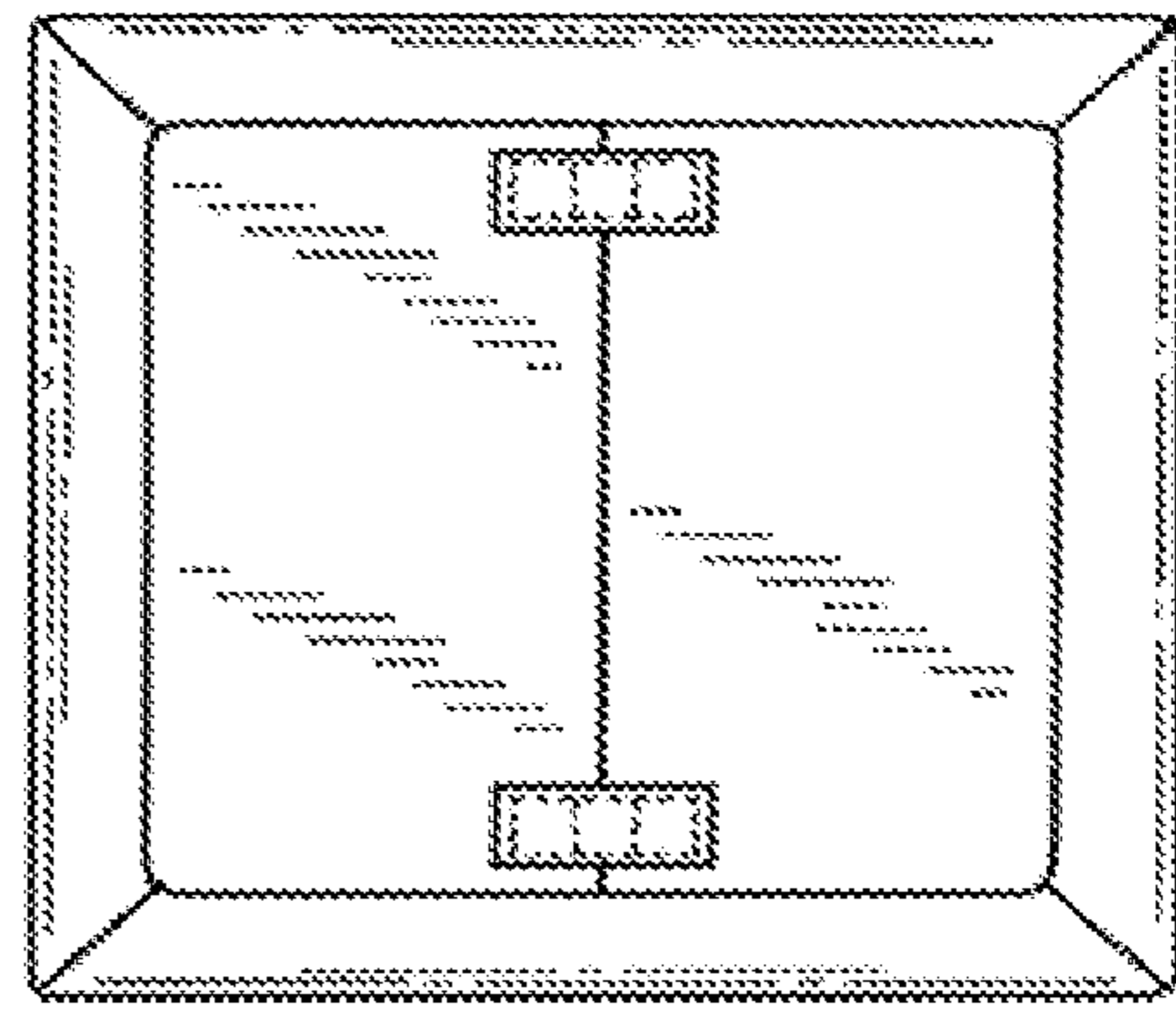


Fig. 8

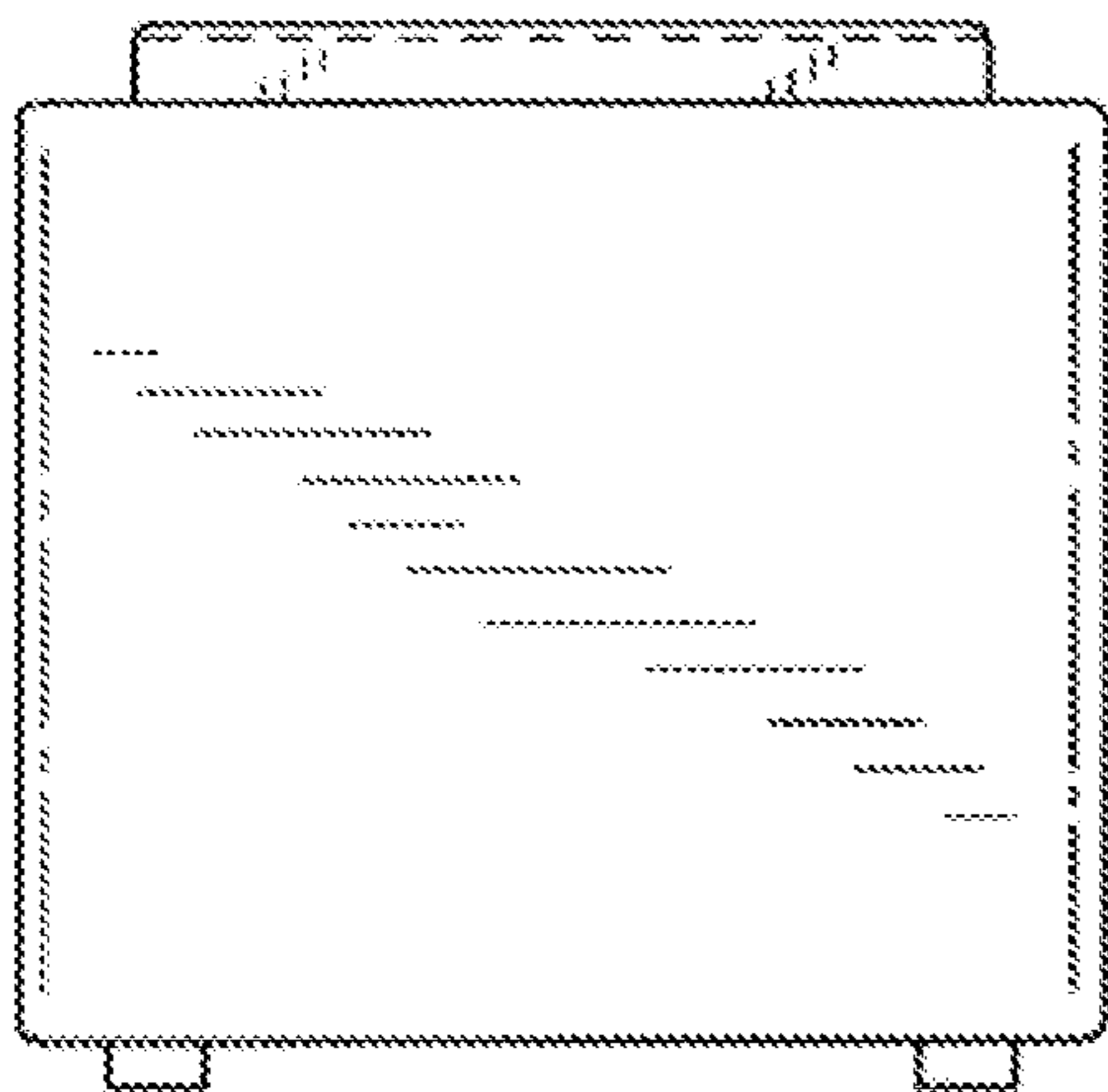


Fig. 5

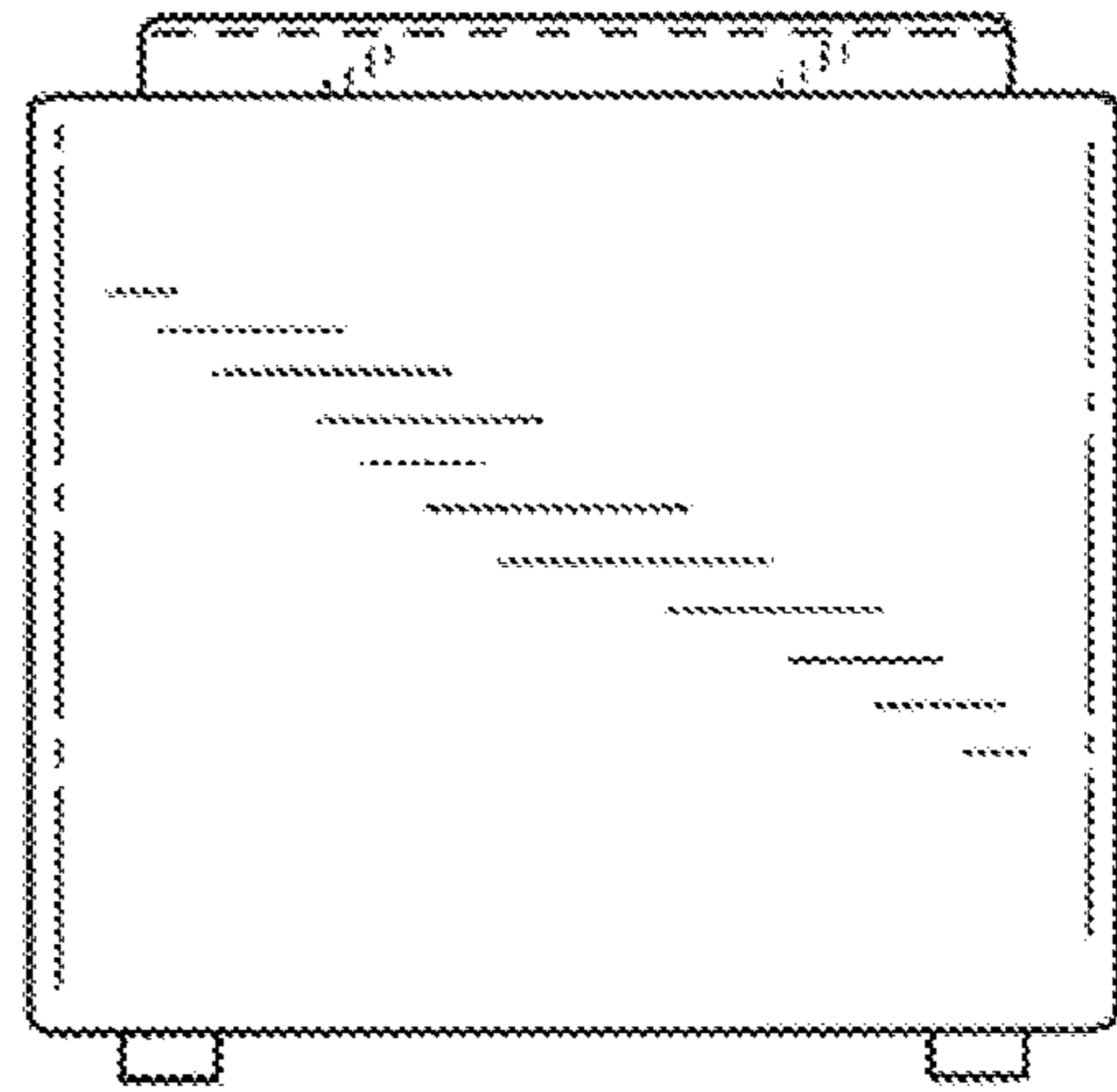


Fig. 6

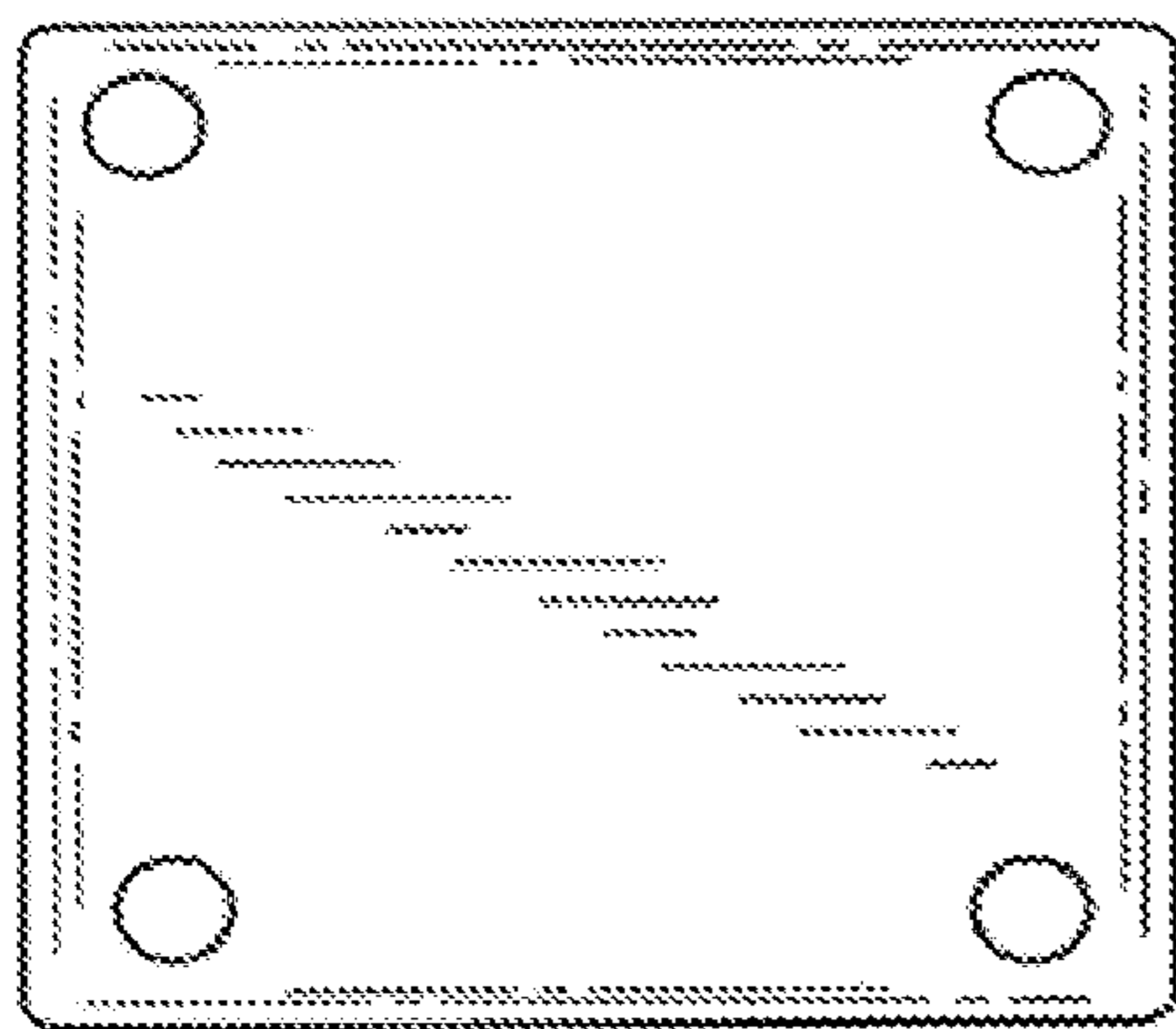


Fig. 9