



US00D610815S

(12) **United States Design Patent**
Goodman et al.

(10) **Patent No.:** **US D610,815 S**
(45) **Date of Patent:** **** Mar. 2, 2010**

(54) **HAT AND COAT RACK**

(75) Inventors: **Sheldon H. Goodman**, Solon, OH (US);
Omer I. Sazir, Cleveland, OH (US)

(73) Assignee: **Spectrum Diversified Designs, Inc.**,
Streetsboro, OH (US)

(**) Term: **14 Years**

(21) Appl. No.: **29/303,545**

(22) Filed: **Feb. 12, 2008**

(51) **LOC (9) Cl.** **06-08**

(52) **U.S. Cl.** **D6/320**

(58) **Field of Classification Search** D6/315,
D6/320, 323, 324, 328; 211/1, 13.1, 85.3,
211/113, 183; 223/85-98

See application file for complete search history.

(56) **References Cited**

U.S. PATENT DOCUMENTS

D278,576 S *	4/1985	Rivkin et al.	D6/317
D280,045 S *	8/1985	Benedict	D6/328
D280,047 S *	8/1985	Benedict	D6/328
D280,048 S *	8/1985	Benedict	D6/328
D295,344 S *	4/1988	Pryor et al.	D6/323
D324,783 S *	3/1992	Greenhut et al.	D6/323
D355,841 S *	2/1995	Goodman et al.	D8/372
D465,406 S *	11/2002	Goodman et al.	D8/372
D465,998 S *	11/2002	Goodman et al.	D8/372

6,571,968 B1 *	6/2003	Cullen	211/113
D484,345 S *	12/2003	Clucas	D6/572
D555,366 S *	11/2007	Goodman et al.	D6/323

* cited by examiner

Primary Examiner—Stella M Reid

Assistant Examiner—Shanda C Hill

(74) *Attorney, Agent, or Firm*—Pearne & Gordon LLP

(57) **CLAIM**

The ornamental design for a hat and coat rack, as shown and described.

DESCRIPTION

FIG. 1 is a perspective view of a hat and coat rack showing our new design;

FIG. 2 is a front elevational view thereof;

FIG. 3 is a top plan view thereof;

FIG. 4 is a side elevational view thereof;

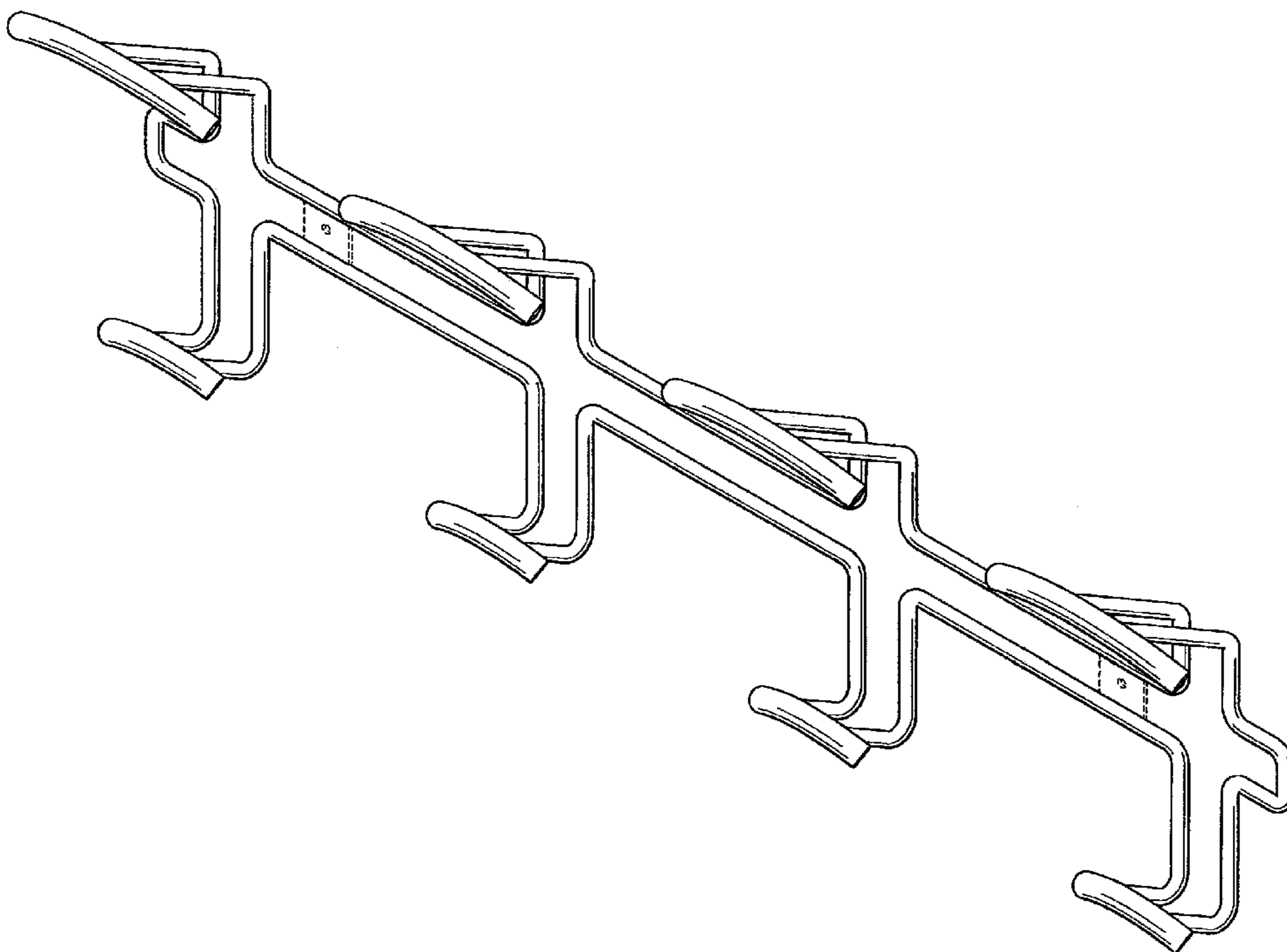
FIG. 5 is a rear elevational view thereof;

FIG. 6 is a bottom elevational view thereof; and,

FIG. 7 is another perspective view thereof, the wavy lines are meant to represent indeterminate length.

The broken lines shown in the drawing disclosure are for illustrative purposes only and form no part of the claimed design.

1 Claim, 4 Drawing Sheets



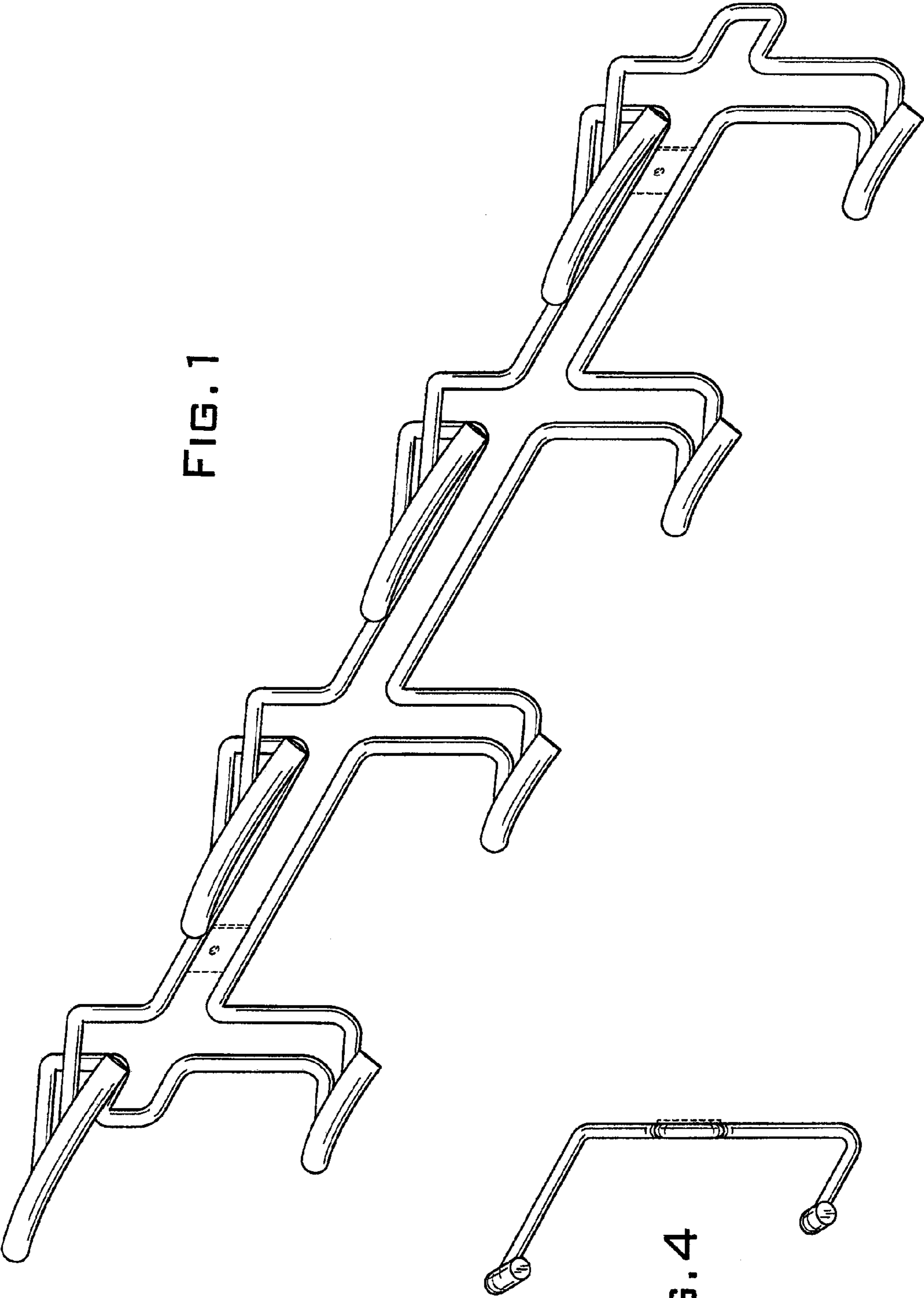


FIG. 1

FIG. 4

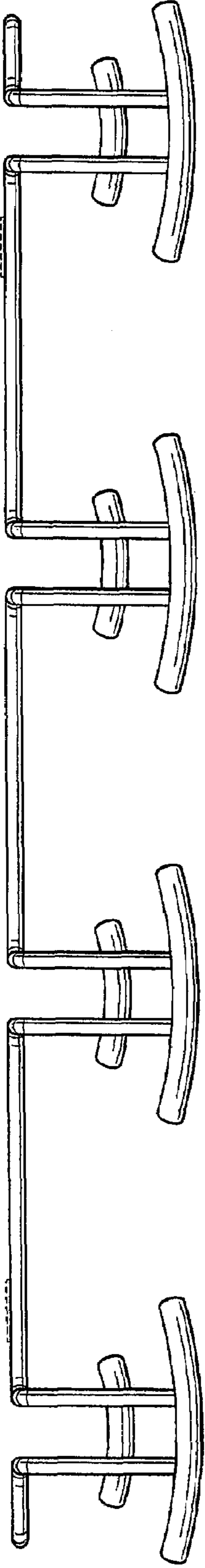


FIG. 3

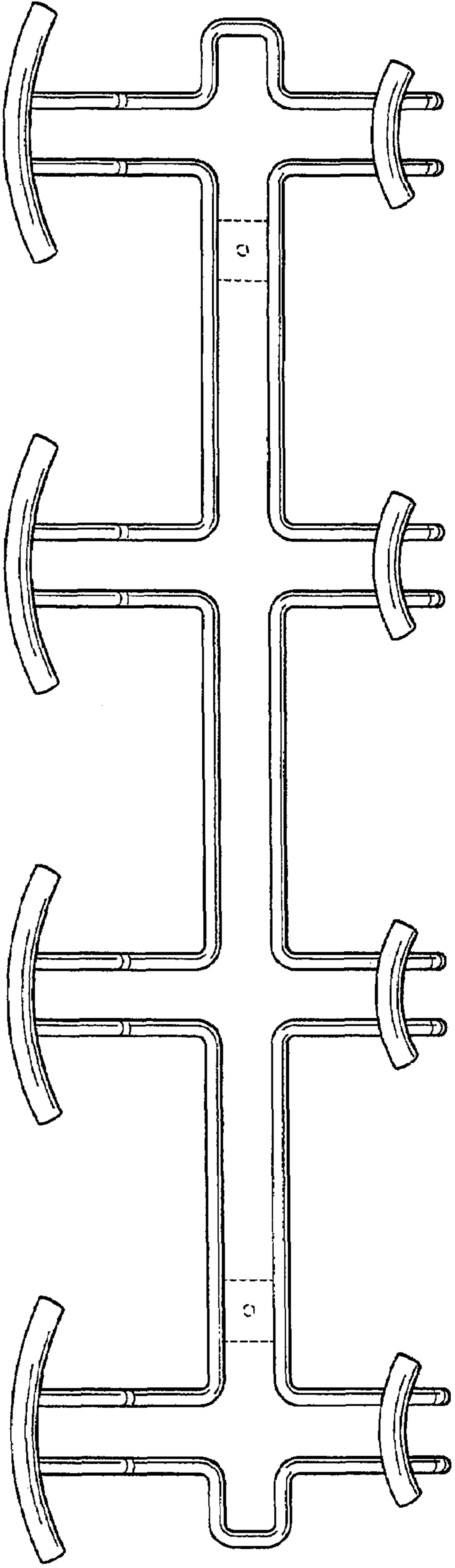


FIG. 2

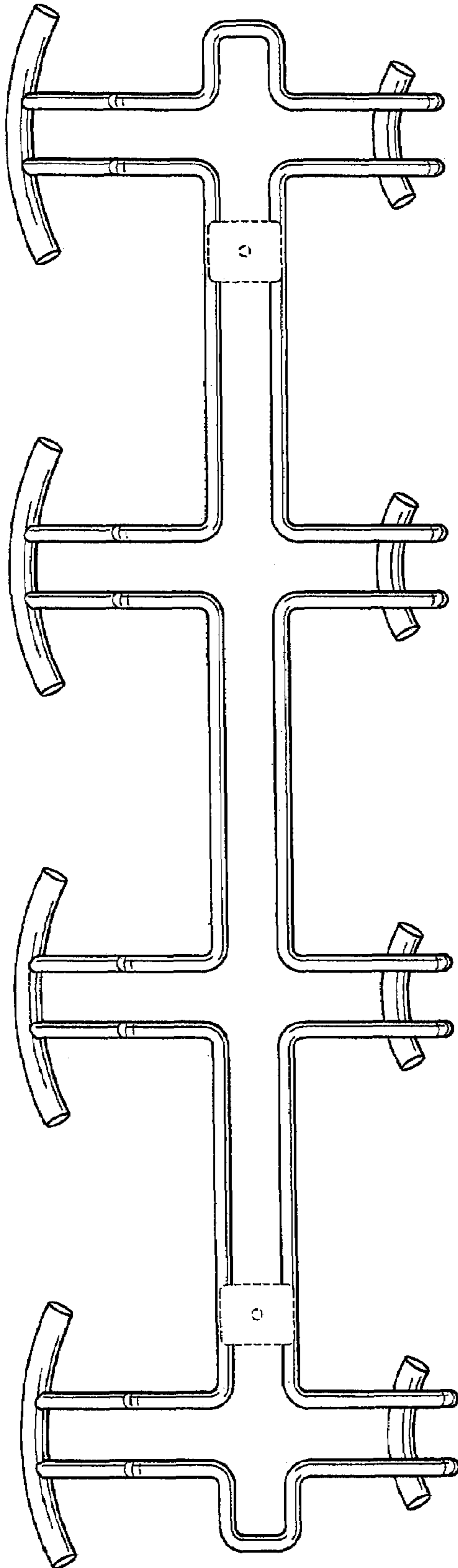


FIG. 5

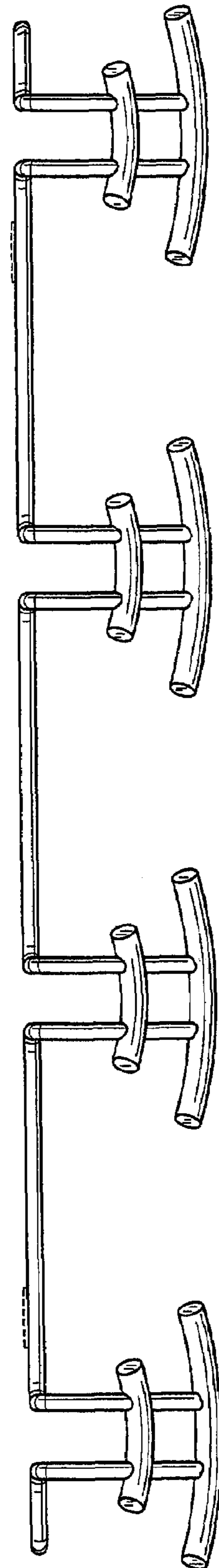


FIG. 6

FIG. 7

