



US00D610814S

(12) **United States Design Patent**
Chigira

(10) **Patent No.:** **US D610,814 S**
(45) **Date of Patent:** **** Mar. 2, 2010**

(54) **IMAGE DISPLAY APPARATUS**

D570,610 S 6/2008 Chuang
D572,023 S 7/2008 Park
D572,025 S 7/2008 Kwon

(75) Inventor: **Yasuko Chigira**, Shiroy (JP)

(73) Assignee: **Kabushiki Kaisha Toshiba**, Tokyo (JP)

(**) Term: **14 Years**

(21) Appl. No.: **29/327,608**

(22) Filed: **Nov. 10, 2008**

(30) **Foreign Application Priority Data**

Sep. 17, 2008 (JP) 2008-023762

(51) **LOC (9) Cl.** **06-07**

(52) **U.S. Cl.** **D6/310; D6/308**

(58) **Field of Classification Search** D6/300,
D6/308, 310, 311; 40/721, 700, 768, 717,
40/714; D14/371, 372, 448, 449, 450, 375,
D14/374, 381, 382, 336, 337; D10/15, 24,
D10/75, 2; D19/26

See application file for complete search history.

(56) **References Cited**

U.S. PATENT DOCUMENTS

D429,227 S 8/2000 Shimizu
D448,031 S 9/2001 Goetz
D448,376 S 9/2001 Lee
D453,333 S 2/2002 Chen
D500,991 S 1/2005 Niitsu
D540,756 S 4/2007 Wu et al.
D558,460 S 1/2008 Yu et al.
D560,371 S 1/2008 Liu et al.
D568,055 S 5/2008 Fernandez
D569,629 S 5/2008 Yu et al.

FOREIGN PATENT DOCUMENTS

CN 300698657D 10/2007
JP D1079548 7/2000
JP D1177014 6/2003
JP D1184816 9/2003
JP D1185936 9/2003

Primary Examiner—Joel Sincavage

Assistant Examiner—Sydney R Buffalow

(74) *Attorney, Agent, or Firm*—Banner & Witcoff, Ltd.

(57) **CLAIM**

The ornamental design for an image display apparatus, as shown and described.

DESCRIPTION

FIG. 1 is a front perspective view of an image display apparatus, showing my new design;

FIG. 2 is a rear perspective view thereof;

FIG. 3 is a front elevational view thereof;

FIG. 4 is a rear elevational view thereof;

FIG. 5 is a top plan view thereof;

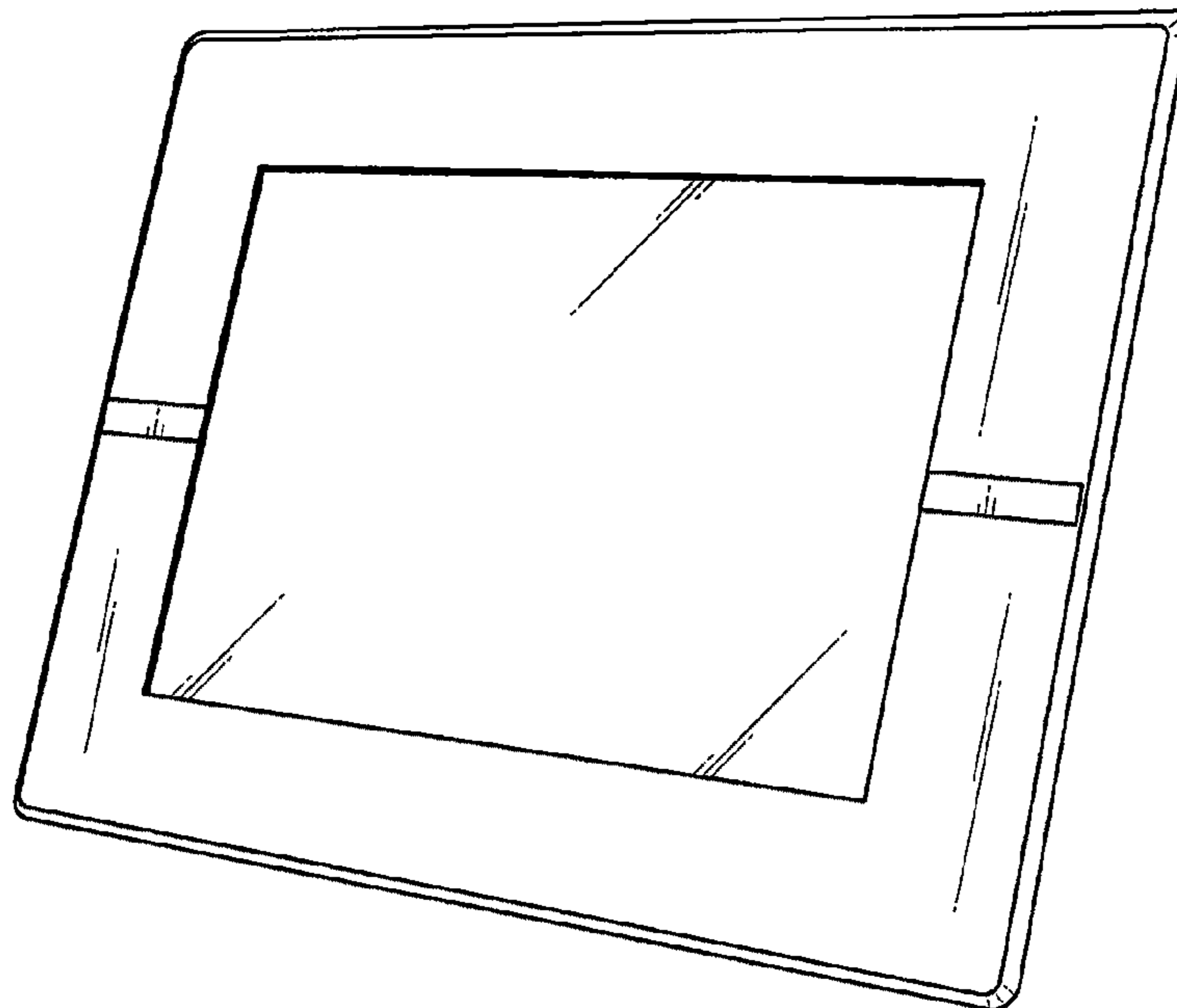
FIG. 6 is a bottom plan view thereof;

FIG. 7 is a left side elevational view thereof; and,

FIG. 8 is a right side elevational view thereof.

The broken lines are for illustrative purposes only and form no part of the claimed design.

1 Claim, 3 Drawing Sheets



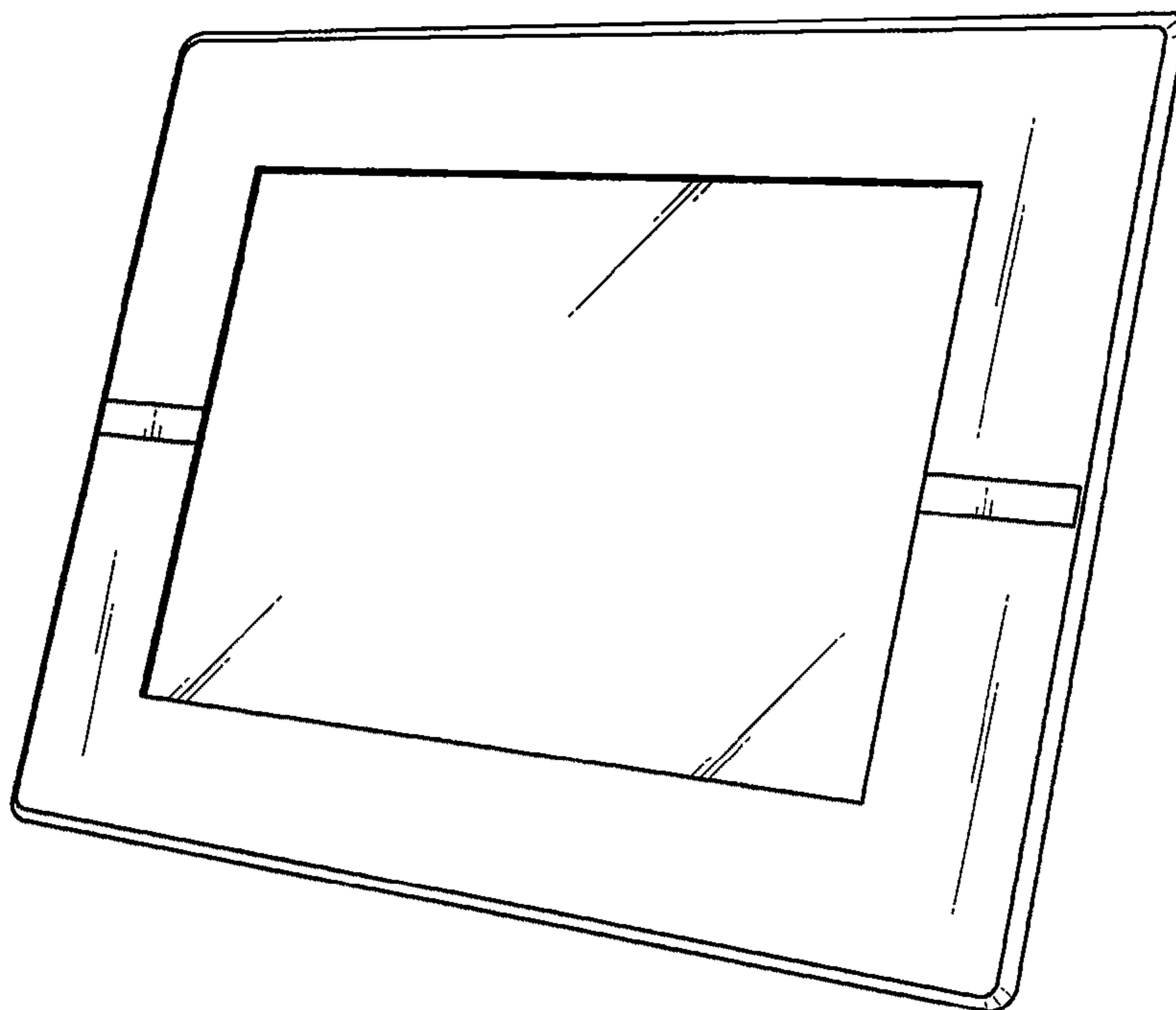


FIG. 1

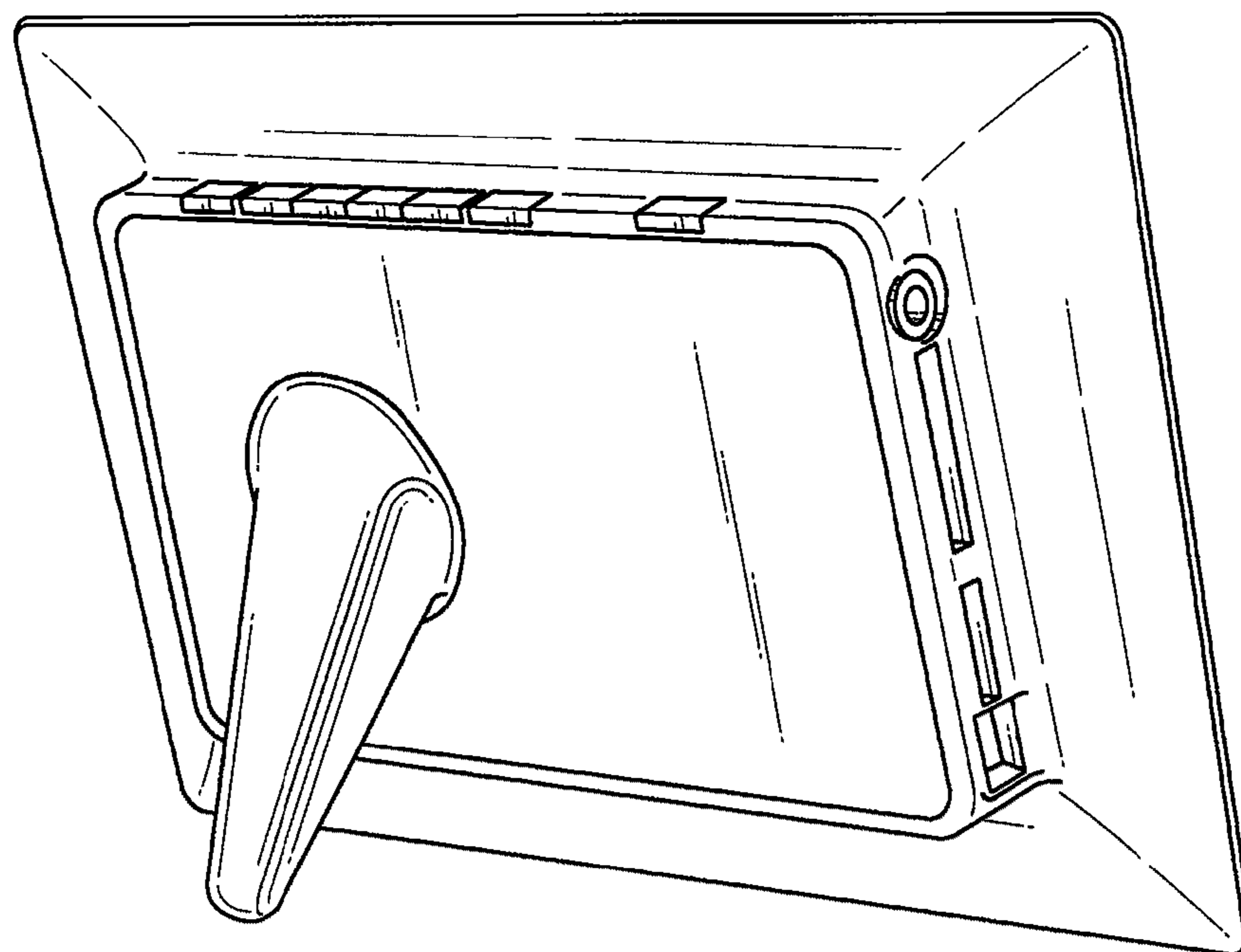


FIG. 2

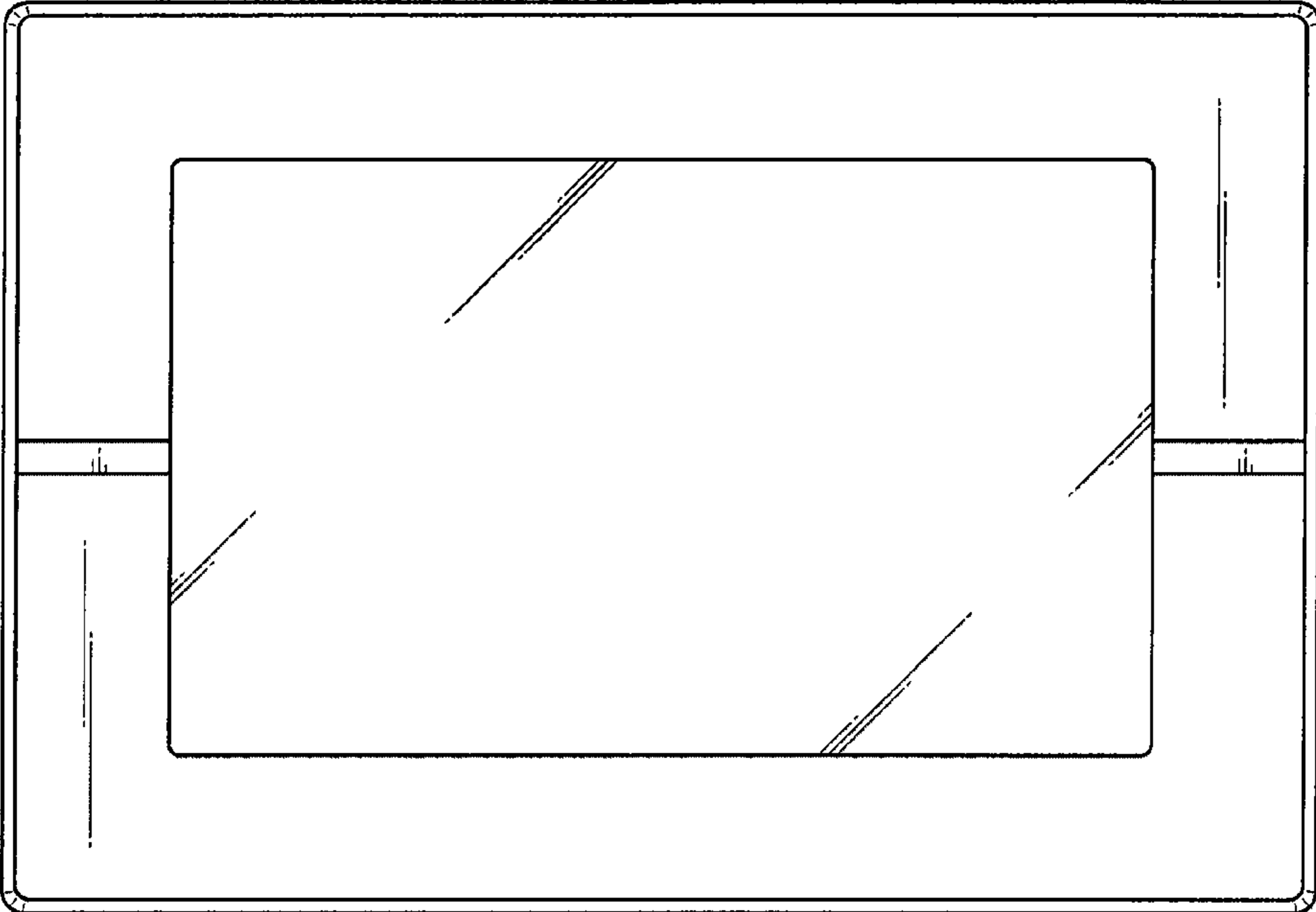


FIG.3

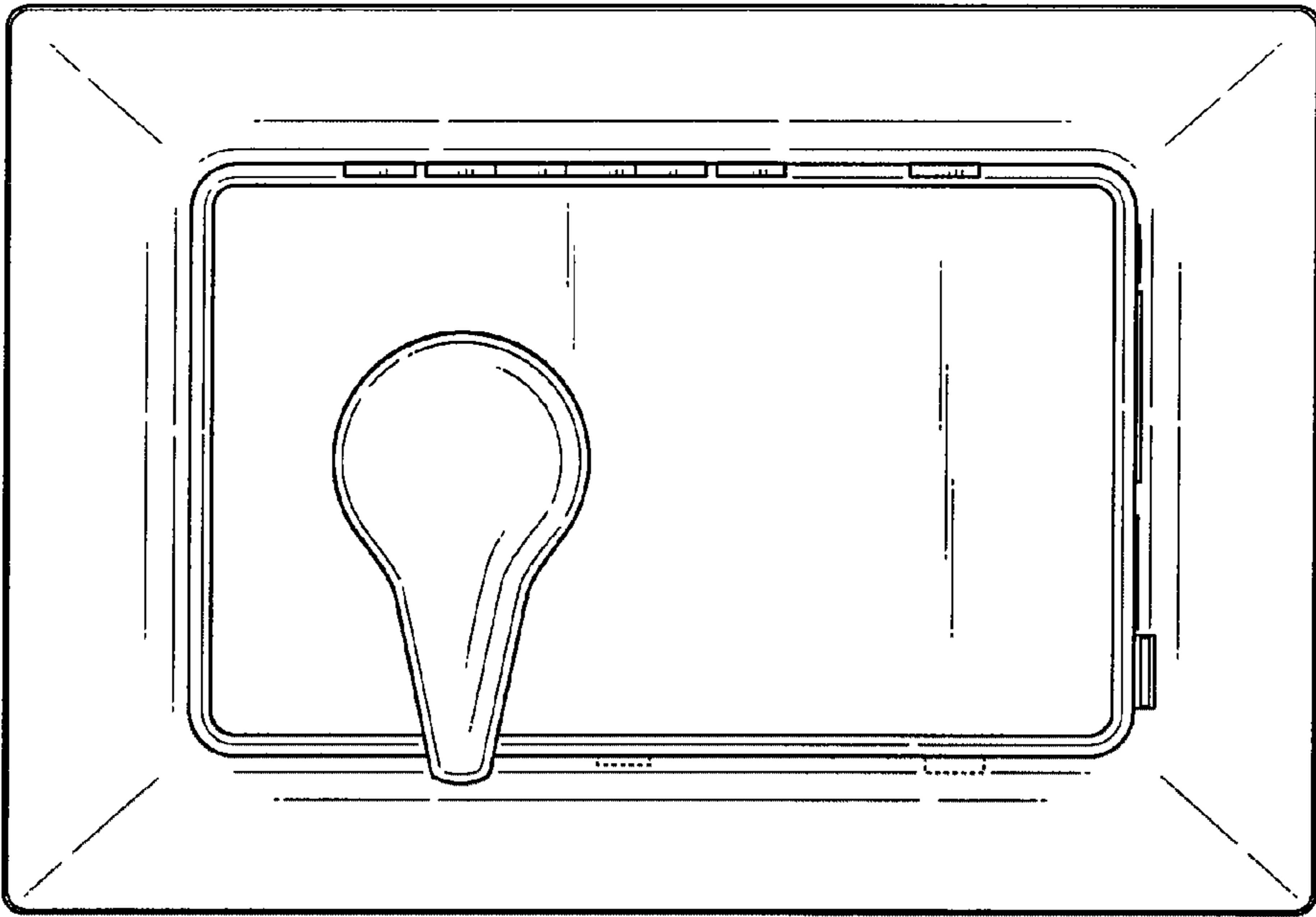


FIG.4

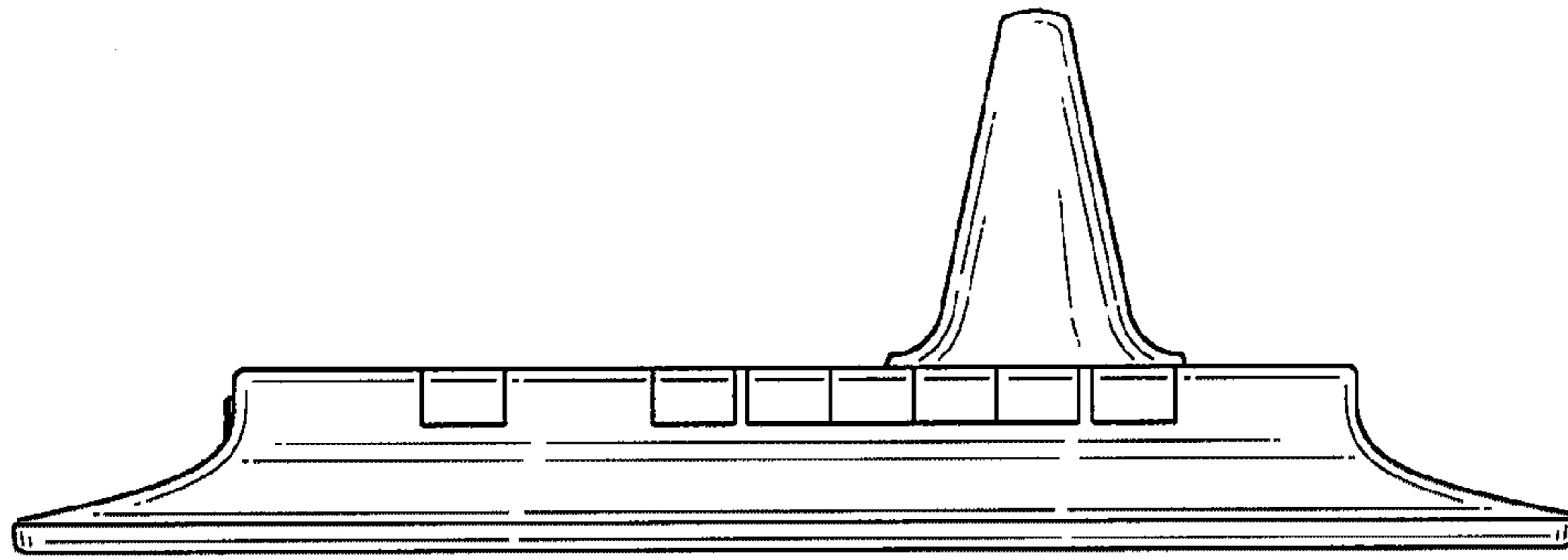


FIG. 5

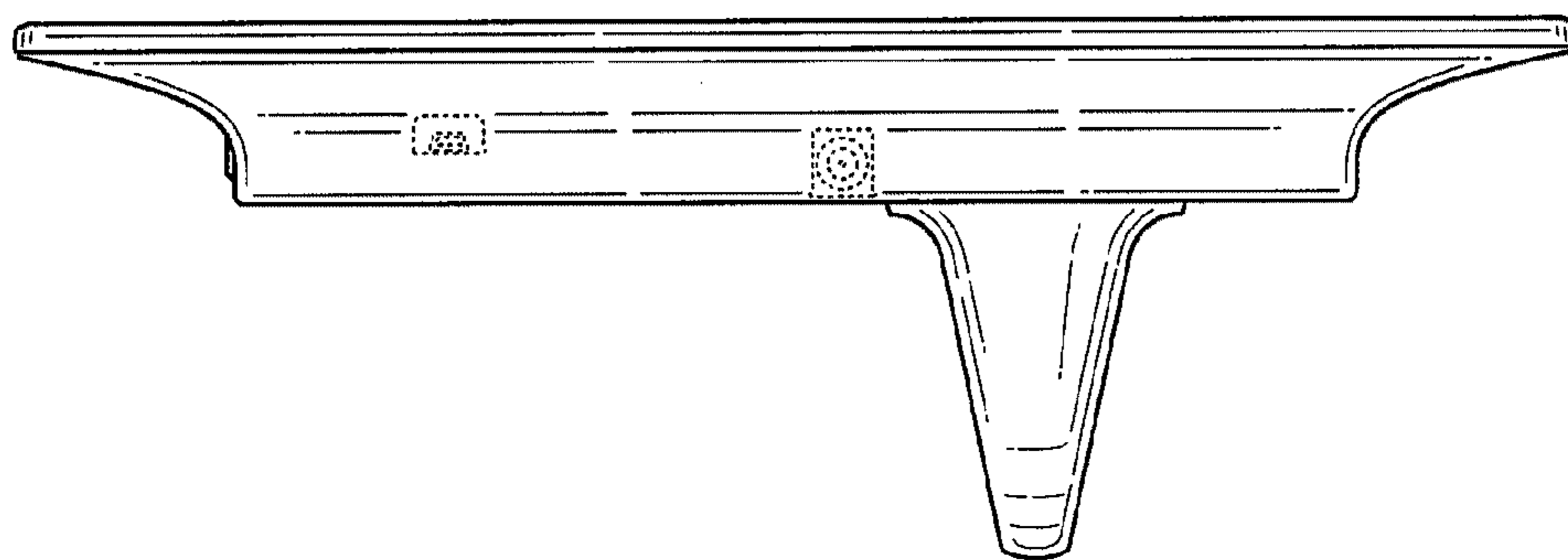


FIG. 6

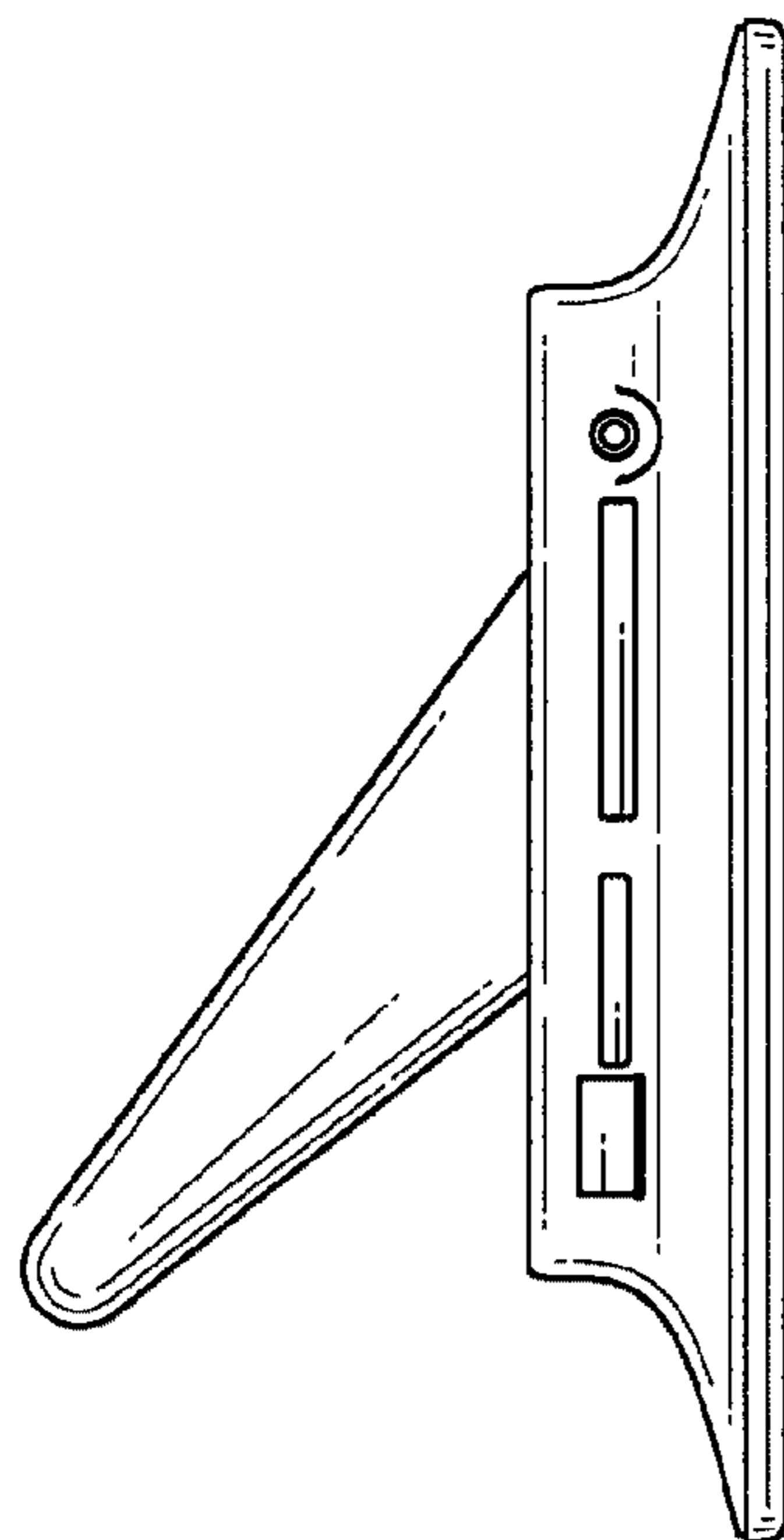


FIG. 7

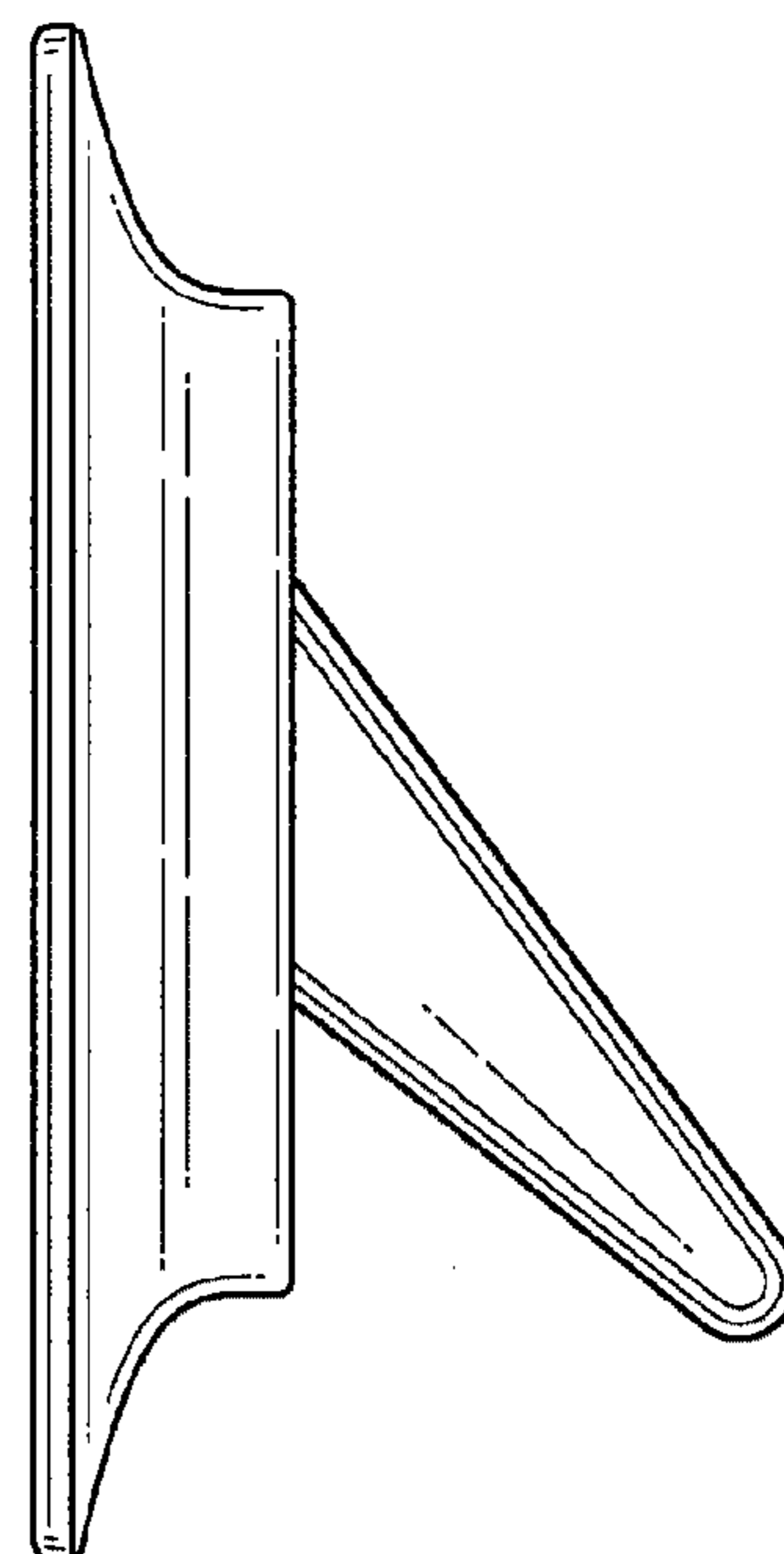


FIG. 8