



US00D610811S

(12) **United States Design Patent**
Jager

(10) **Patent No.:** **US D610,811 S**
(45) **Date of Patent:** **** Mar. 2, 2010**

(54) **STRAP**
(75) Inventor: **Christine Jager**, Munich (DE)
(73) Assignee: **Skylotec GmbH**, Neuwied (DE)
(**) Term: **14 Years**
(21) Appl. No.: **29/284,704**
(22) Filed: **Sep. 13, 2007**
(30) **Foreign Application Priority Data**
Mar. 14, 2007 (EM) 000688502-0001

2,002,271 A * 5/1935 Lombardi 66/169 R
2,012,029 A * 8/1935 Weiser 139/383 R
2,021,993 A * 11/1935 Gutlon 139/419

(Continued)

FOREIGN PATENT DOCUMENTS

DE 20006559 U1 * 7/2000
EP 1254979 A1 * 11/2002
FR 2778674 A1 * 11/1999

Primary Examiner—Robert M Spear
Assistant Examiner—Karen Acker
(74) *Attorney, Agent, or Firm*—DeLio & Peterson, LLC;
Peter W. Peterson

(51) **LOC (9) Cl.** **05-05**
(52) **U.S. Cl.** **D5/7**
(58) **Field of Classification Search** D5/1-8,
D5/11, 12, 15, 18, 19, 20, 23-26, 30, 32,
D5/33, 35, 39, 41, 43, 45, 47-54, 56, 57,
D5/59-66, 99; D6/582, 583, 595, 596, 598,
D6/603-606, 608, 613, 616, 617, 619, 622;
D24/124-126; D25/142, 152; 5/413 AM,
5/709; 139/416, 417, 424; 156/148, 209;
428/17, 18, 154, 156, 171, 178, 187, 198,
428/199, 542.2, 542.6, 190, 904.4, 919; 604/378,
604/380, 385.101; 52/311.1-311.3; 66/193,
66/202

(57) **CLAIM**

I claim the ornamental design for a “strap,” as shown and described herein.

See application file for complete search history.

DESCRIPTION

FIG. 1 is a perspective view of the strap design of this invention.

FIG. 2 is a top plan view of the strap of this invention shown in FIG. 1.

FIG. 3 is a bottom plan view of the strap of this invention shown in FIG. 1 shown in FIG. 1.

FIG. 4 is a front elevational view of the strap of this invention shown in FIG. 1.

FIG. 5 is a rear elevational view of the strap of this invention shown in FIG. 1.

FIG. 6 is a left side elevational view of the strap of this invention shown in FIG. 1; and,

FIG. 7 is a right side elevational view of the strap of this invention shown in FIG. 1.

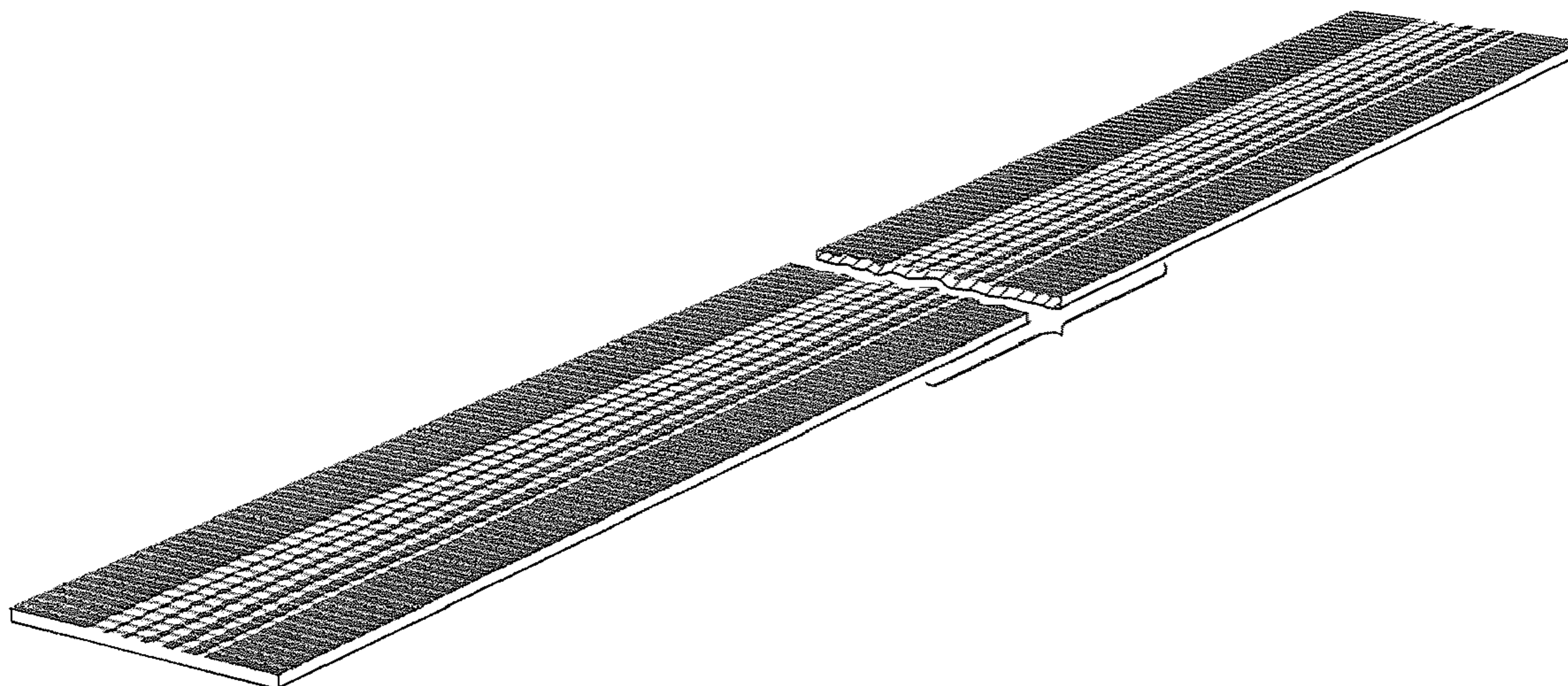
The strap is shown broken away in the center to indicate that no specific width or length is claimed.

(56) **References Cited**

U.S. PATENT DOCUMENTS

D1,990 S * 9/1864 Frischet D5/7
326,329 A * 9/1885 Ransom 52/180
D28,481 S * 4/1898 Koch D5/54
928,642 A * 7/1909 Elliott 139/383 R
963,014 A * 6/1910 Smith 428/190
D65,968 S * 11/1924 Herbine D5/19
1,616,272 A * 2/1927 Chesterton 139/388
D81,424 S * 6/1930 Zimmerer D5/19

1 Claim, 2 Drawing Sheets



US D610,811 S

Page 2

U.S. PATENT DOCUMENTS

D101,257 S *	9/1936	Sadinoff	D5/47	D212,522 S *	10/1968	Spillane	D5/7
2,105,190 A *	1/1938	Jackson	139/418	3,485,704 A *	12/1969	Clymin	428/103
D120,184 S *	4/1940	Hollingworth	D5/7	3,515,623 A *	6/1970	Bates	428/193
D121,792 S *	8/1940	Lion	D5/12	4,132,582 A *	1/1979	Winkler	156/209
2,277,766 A *	3/1942	Klumpp	66/172 E	4,416,713 A *	11/1983	Brooks	156/64
2,359,953 A *	10/1944	Whewell et al.	139/416	D274,108 S *	6/1984	Trotman et al.	D6/502
2,409,089 A *	10/1946	Whitman	139/420 R	4,640,317 A *	2/1987	Chardon et al.	139/431
D178,639 S *	9/1956	Cherry	D5/47	4,695,500 A *	9/1987	Dyer et al.	428/134
2,772,699 A *	12/1956	Scruggs	139/419	D421,198 S *	2/2000	Surface	D6/608
2,853,806 A *	9/1958	White	36/11.5	D449,741 S *	10/2001	Henderson et al.	D5/47
3,062,244 A *	11/1962	Fong	139/424	D477,919 S *	8/2003	Bruner et al.	D5/47
D203,247 S *	12/1965	Hughes	D5/7	6,727,197 B1 *	4/2004	Wilson et al.	442/301
3,238,594 A *	3/1966	Schuster	28/141	7,491,297 B2 *	2/2009	Serr et al.	162/348
				2006/0207296 A1 *	9/2006	Fujikawa	66/202

* cited by examiner

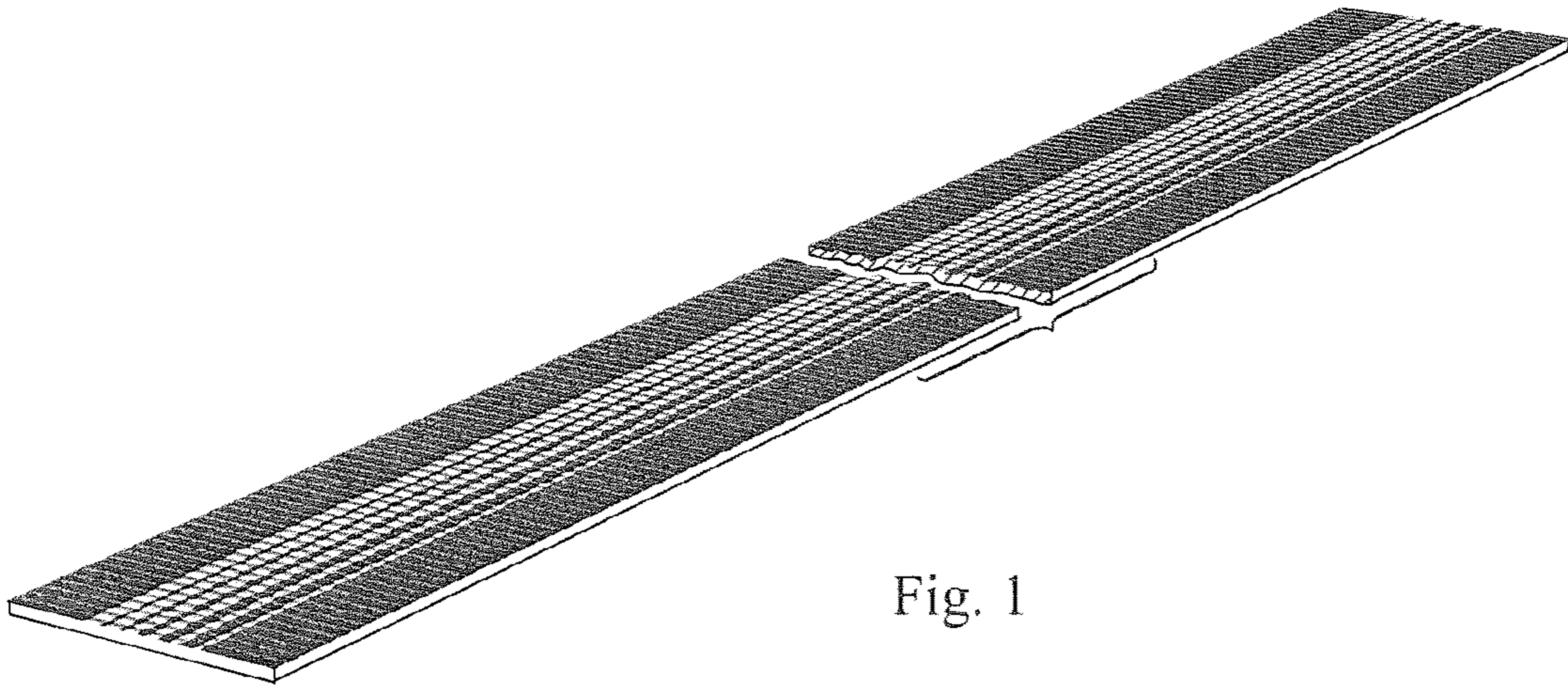


Fig. 1

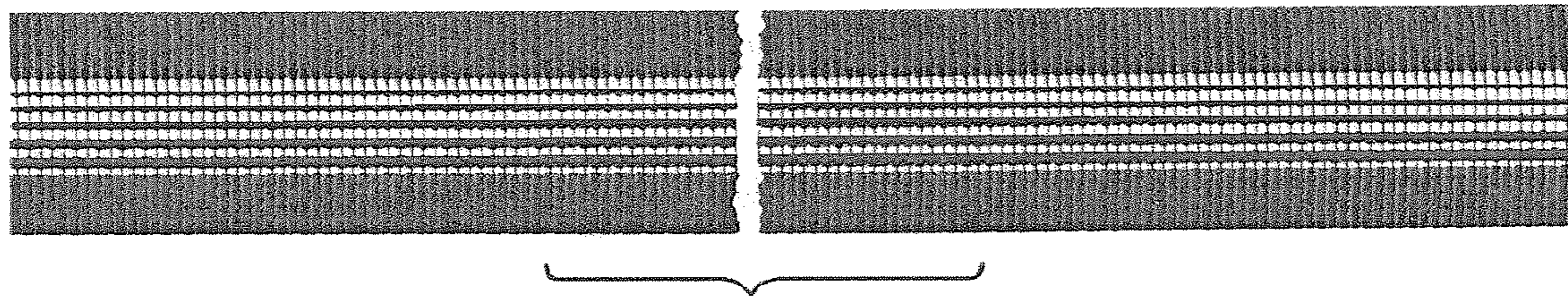


Fig. 2

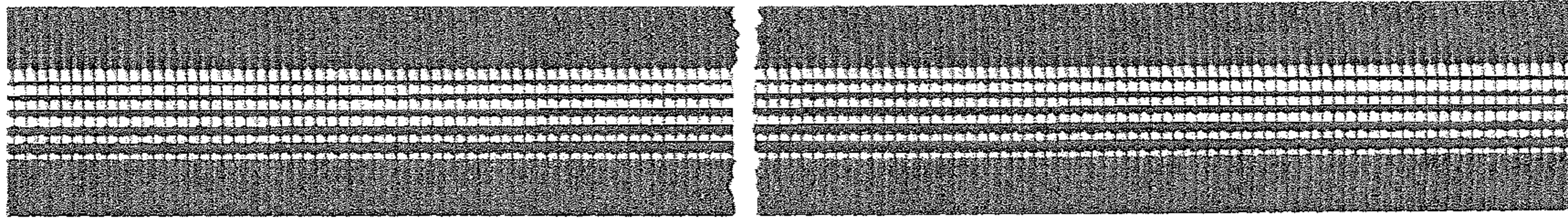


Fig. 3



Fig. 4



Fig. 5



Fig. 6



Fig. 7