



US00D610810S

(12) **United States Design Patent**
Evans

(10) **Patent No.:** **US D610,810 S**
(45) **Date of Patent:** **** Mar. 2, 2010**

(54) **SHORT TOOTHBRUSH**

D391,084 S * 2/1998 Armour D4/104
D487,351 S * 3/2004 Frazell D4/104

(76) Inventor: **Kerry W Evans**, P.O. Box 329, Hardy,
AR (US) 72542

* cited by examiner

(**) Term: **14 Years**

Primary Examiner—Melanie H Tung
Assistant Examiner—Lavone D Tabor

(21) Appl. No.: **29/339,243**

(74) *Attorney, Agent, or Firm*—Joe D. Calhoun; Rashauna A.
Norment

(22) Filed: **Jun. 26, 2009**

(57) **CLAIM**

(51) **LOC (9) Cl.** **04-02**

The ornamental design for a short toothbrush, as shown and
described.

(52) **U.S. Cl.** **D4/104**

(58) **Field of Classification Search** D4/104-112,
D4/132-134, 138; 15/110, 143.1, 167.1,
15/167.2, 207.2, DIG. 5, DIG. 6; 132/308-311;
601/139, 141

DESCRIPTION

See application file for complete search history.

FIG. 1 depicts a perspective view of the short toothbrush.

(56) **References Cited**

FIG. 2 depicts a top plan view.

U.S. PATENT DOCUMENTS

FIG. 3 depicts a bottom plan view.

74,560	A *	2/1868	Maury	15/167.1
164,353	A *	6/1875	Wayne	15/167.1
D160,651	S *	10/1950	Nugent	D4/112
3,085,273	A *	4/1963	Cowan	15/167.1
D293,288	S *	12/1987	Cron et al.	D4/104
D350,440	S *	9/1994	Lemon et al.	D4/105

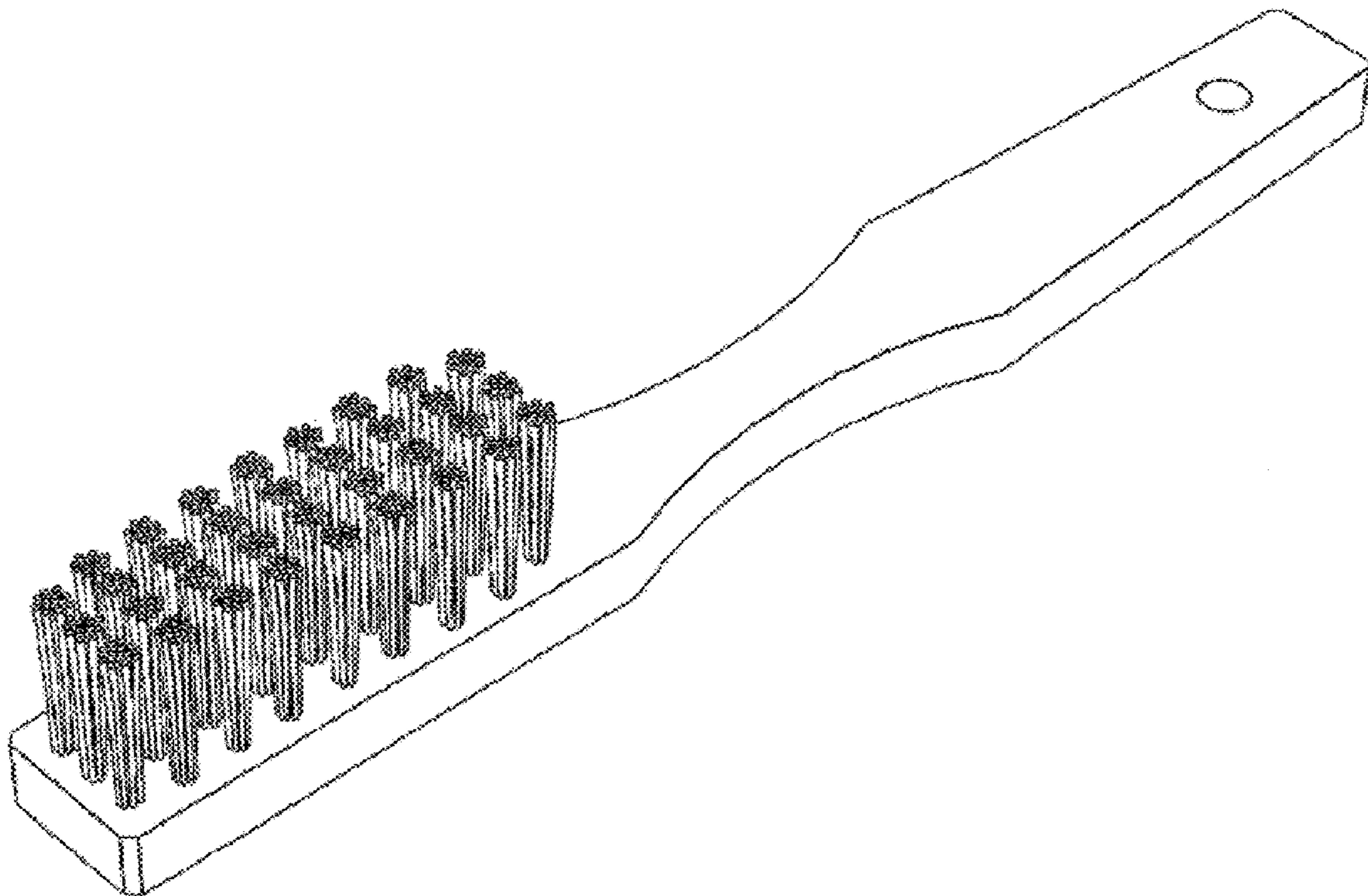
FIG. 4 depicts a bristle-end side elevation view.

FIG. 5 depicts a handle-end side elevation view.

FIG. 6 depicts a first side elevation view; and,

FIG. 7 depicts a second side elevation view.

1 Claim, 2 Drawing Sheets



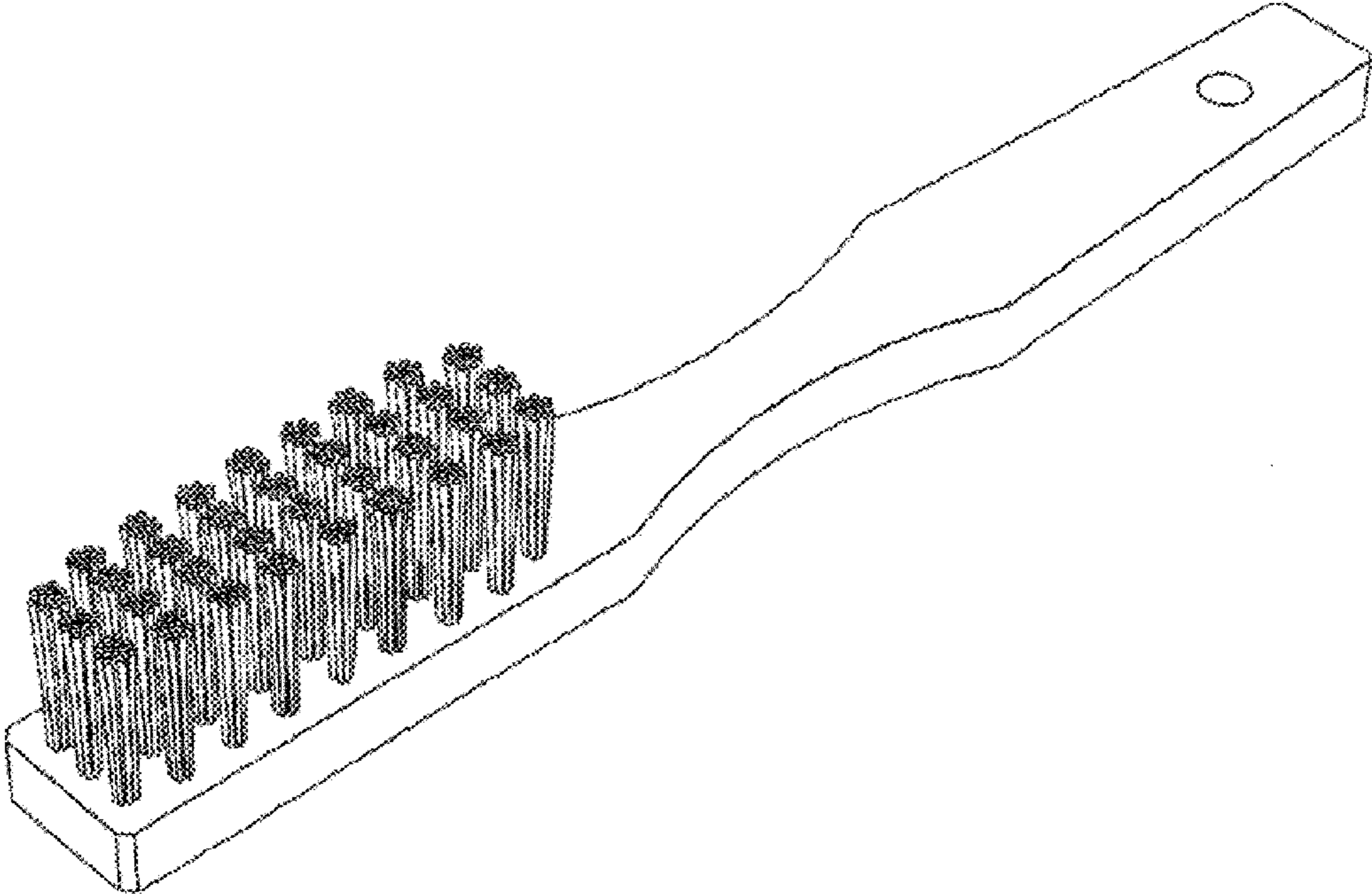


FIG. 1

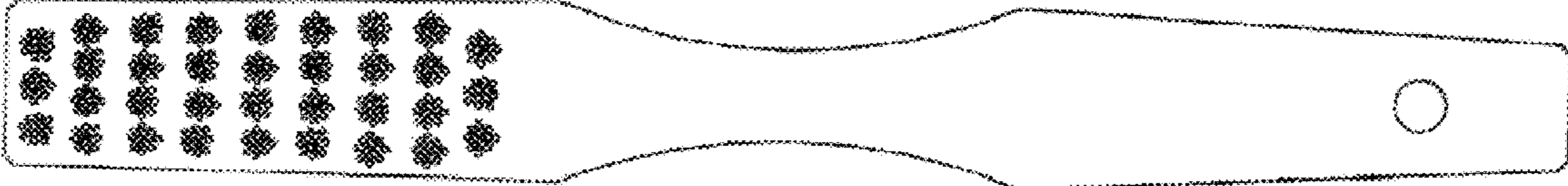


FIG. 2

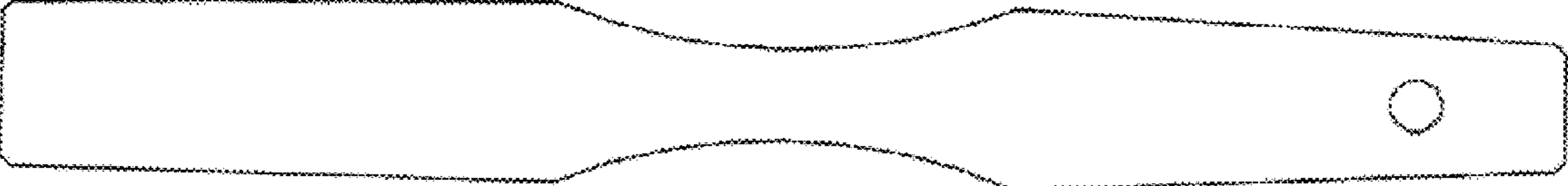


FIG. 3

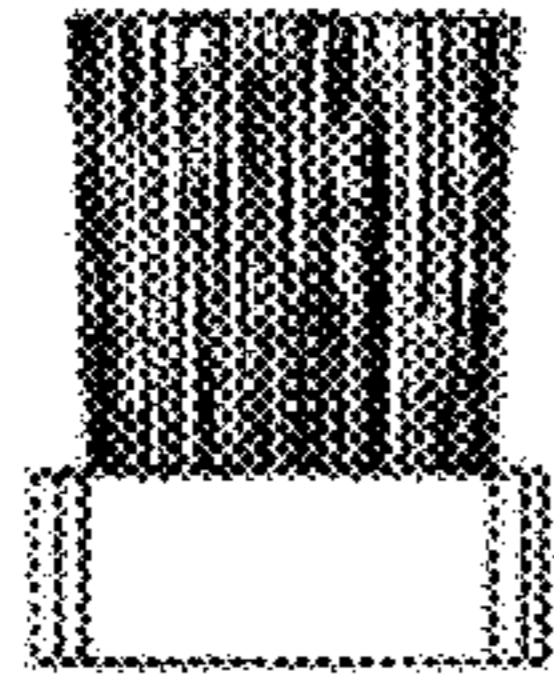


FIG. 4

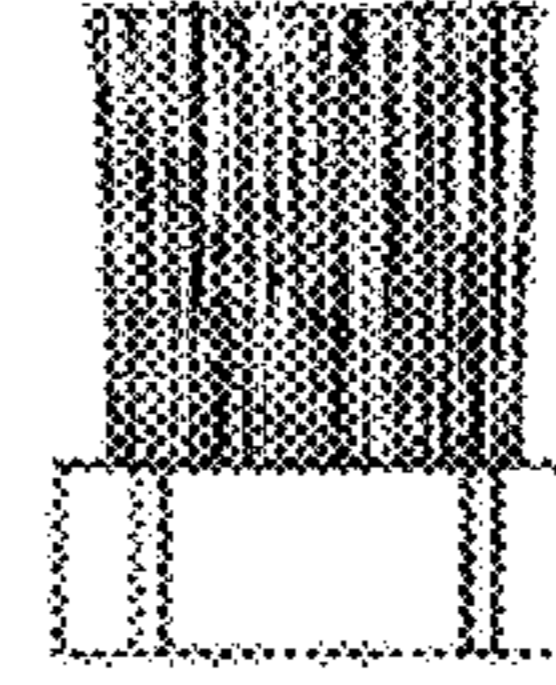


FIG. 5

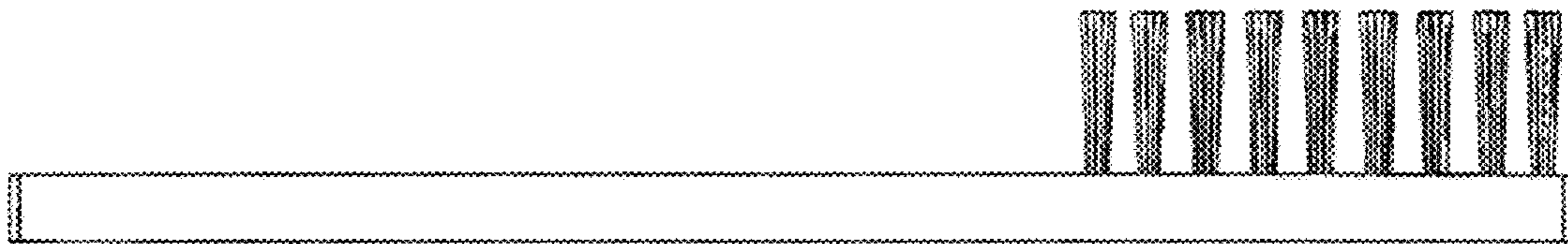


FIG. 6



FIG. 7