



US00D610808S

(12) **United States Design Patent**  
**Kaddar**

(10) **Patent No.:** **US D610,808 S**  
(45) **Date of Patent:** **\*\* Mar. 2, 2010**

(54) **PORTABLE TOOL CADDY**

FOREIGN PATENT DOCUMENTS

(75) Inventor: **Yuval Kaddar**, Ramat Hasharon (IL)

DE 203 13 481 U1 2/2004  
GB 2 404 575 A 2/2005

(73) Assignee: **Keter Plastic Ltd.**, Herzelyia (IL)

OTHER PUBLICATIONS

(\*\*) Term: **14 Years**

Internet citation <<http://www.stanleytools.com/default.asp?CATEGORY=SOFT+STORAGE&TYPE=PRODUCT&PARTNUMBER=516100M&SDesc+Stanley%26%23174%3B+Hard+Base+Cantilever+Tool+Bag>>  
Internet Archive showing this hard base model published in 2005.

(21) Appl. No.: **29/274,545**

(22) Filed: **Apr. 30, 2007**

*Primary Examiner*—Raphael Barkai  
*Assistant Examiner*—Randall H Gholson  
(74) *Attorney, Agent, or Firm*—The Nath Law Group; Derek Richmond; Robert T. Burns

(30) **Foreign Application Priority Data**

Nov. 2, 2006 (EM) ..... 000614961

(51) **LOC (9) Cl.** ..... **03-01**

(52) **U.S. Cl.** ..... **D3/276**

(58) **Field of Classification Search** ..... D3/276,  
D3/289, 273, 285, 287, 283, 301, 290, 900,  
D3/272; 190/11–115, 903; 206/349, 373  
See application file for complete search history.

(57) **CLAIM**

The ornamental design for a portable tool caddy, as shown and described.

(56) **References Cited**

**DESCRIPTION**

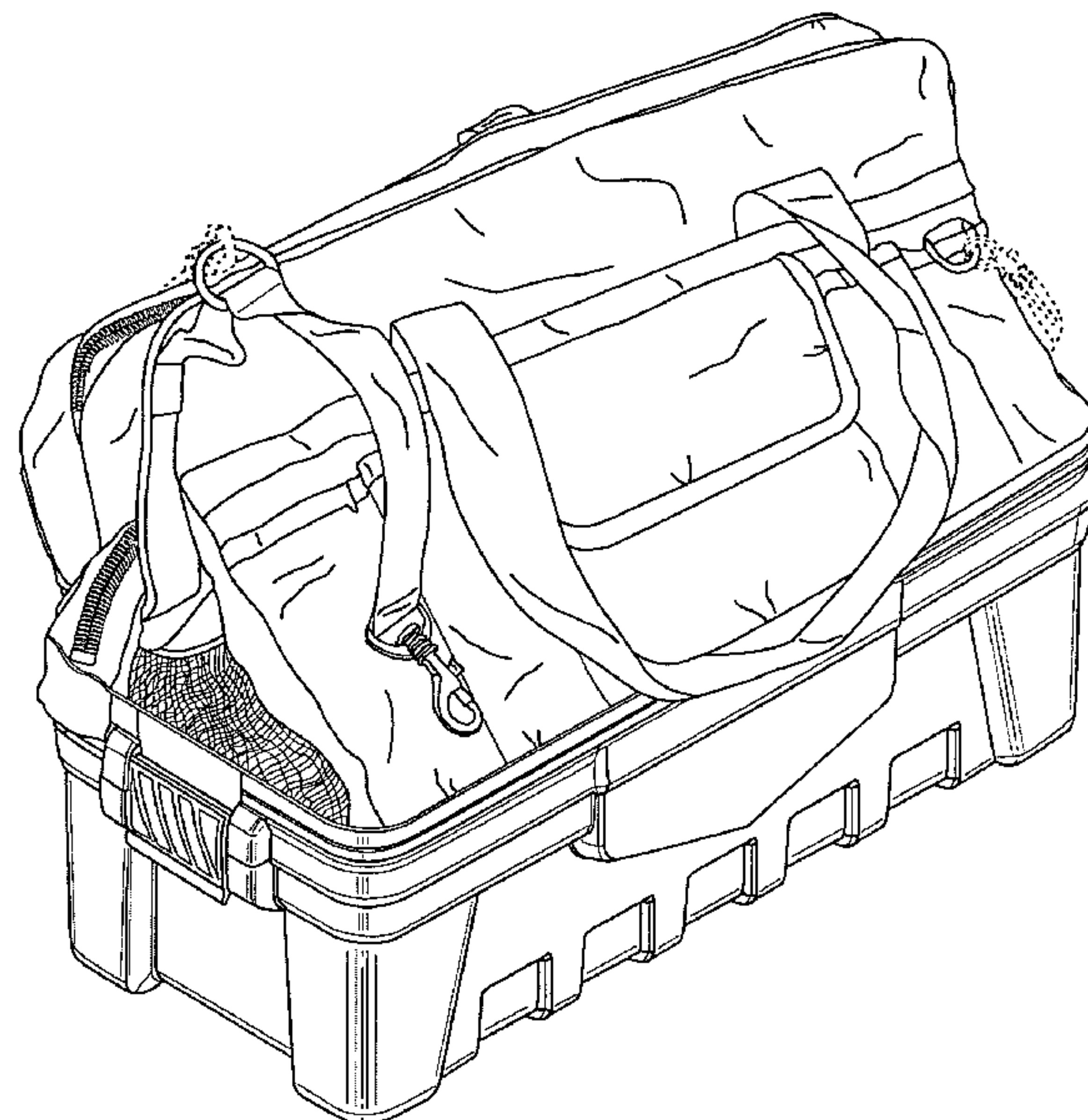
U.S. PATENT DOCUMENTS

5,011,013 A 4/1991 Meisner et al.  
D317,081 S \* 5/1991 King ..... D3/287  
5,209,384 A 5/1993 Anderson  
5,240,264 A 8/1993 Williams  
D361,511 S \* 8/1995 Dickinson et al. .... D9/425  
5,664,652 A 9/1997 Shamah  
5,833,065 A 11/1998 Burgess  
D408,631 S \* 4/1999 Dickinson et al. .... D3/302  
5,906,291 A \* 5/1999 Mann et al. .... 220/756  
D417,956 S \* 12/1999 Story et al. .... D3/295  
6,126,003 A 10/2000 Brouard  
6,176,559 B1 1/2001 Tiramani et al.  
6,213,268 B1 \* 4/2001 Dancyger ..... 190/110

FIG. 1 is a perspective view of a portable tool caddy at an assembled position;  
FIG. 2 is a rear view of the portable tool caddy seen in FIG. 1;  
FIG. 3 is a front view of the portable tool caddy seen in FIG. 1;  
FIG. 4 is a left side view of the portable tool caddy seen in FIG. 1;  
FIG. 5 is a right side view of the portable tool caddy seen in FIG. 1;  
FIG. 6 is a top view of the portable tool caddy seen in FIG. 1;  
FIG. 7 is a bottom view of the portable tool caddy seen in FIG. 1; and,  
FIG. 8 is a perspective view of the portable tool caddy seen in FIG. 1 at a separated position.

(Continued)

**1 Claim, 8 Drawing Sheets**

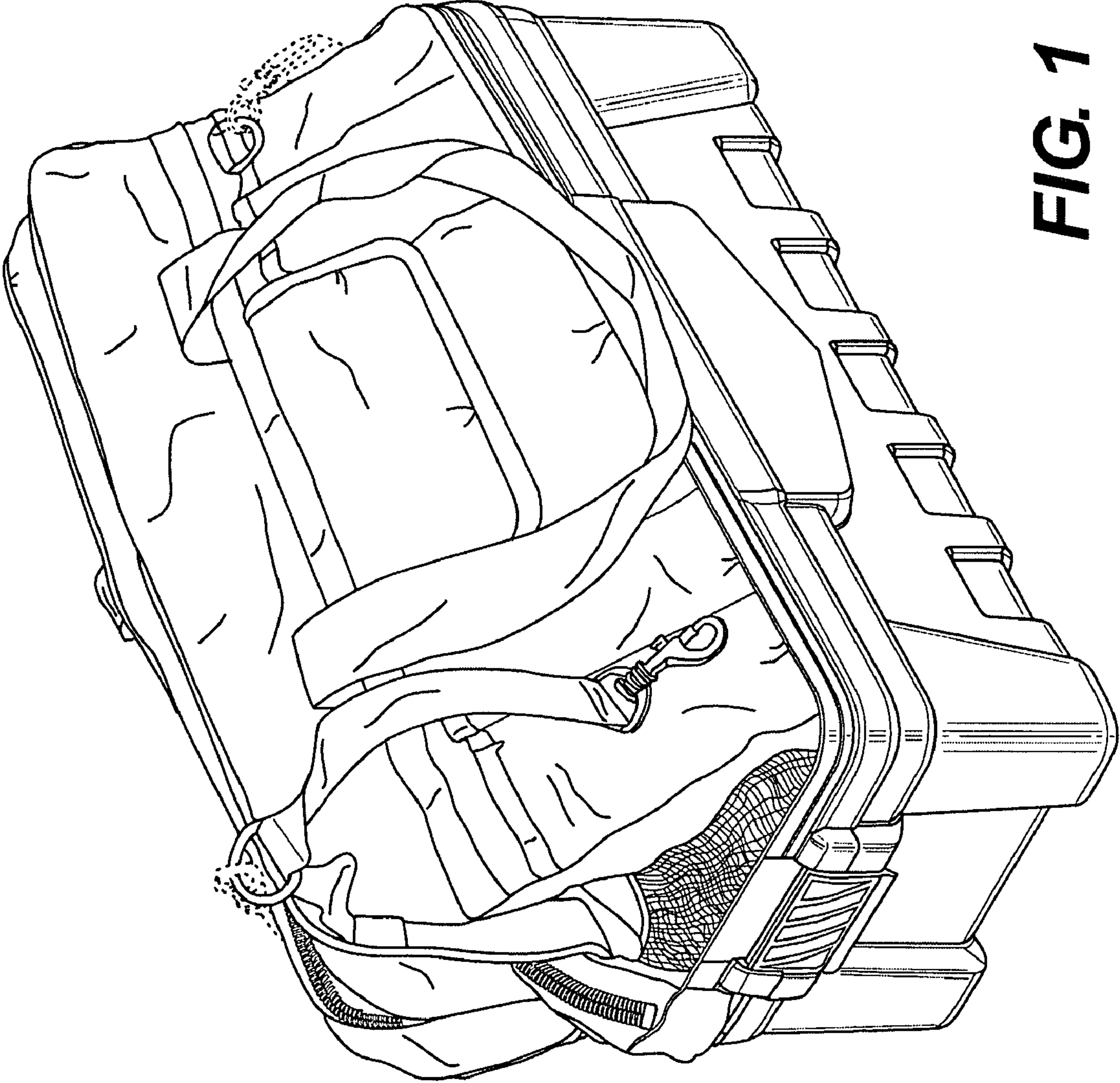


# US D610,808 S

Page 2

---

U.S. PATENT DOCUMENTS			
6,347,847	B1	2/2002	Tiramani et al.
6,371,320	B2	4/2002	Sagol
6,601,930	B2	8/2003	Tiramani et al.
D487,345	S *	3/2004	Brouard ..... D3/289
6,761,366	B1	7/2004	Klemmensen et al.
6,915,902	B2 *	7/2005	Brouard ..... 206/373
7,004,481	B1	2/2006	Stanish
7,210,689	B2	5/2007	Guirlinger
2003/0062232	A1	4/2003	Godshaw et al.
2004/0211634	A1	10/2004	Chan
2005/0189388	A1 *	9/2005	Godshaw et al. .... 206/372
2006/0012139	A1	1/2006	Guirlinger
2006/0027475	A1	2/2006	Gleason et al.
* cited by examiner			



**FIG. 1**



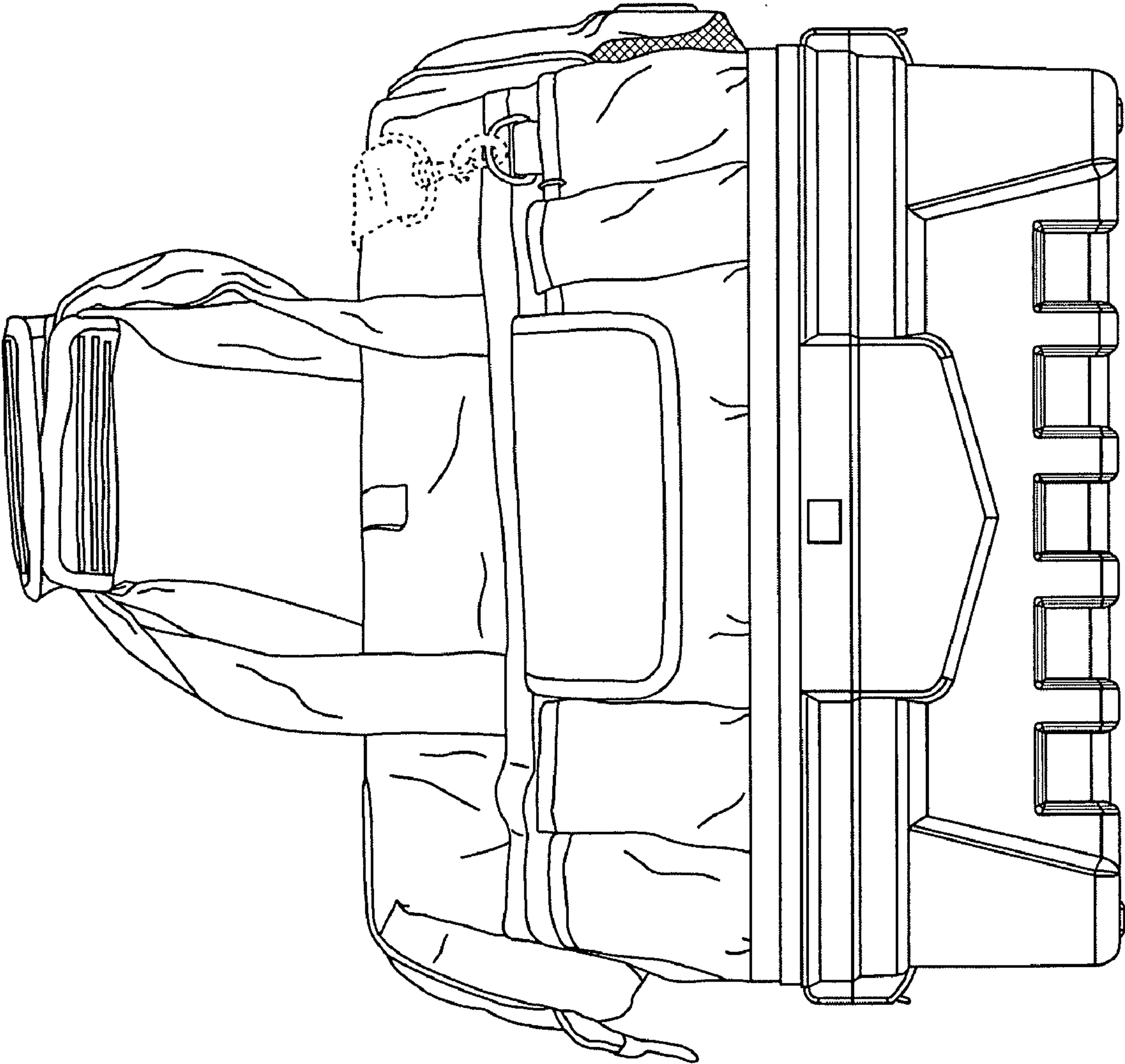
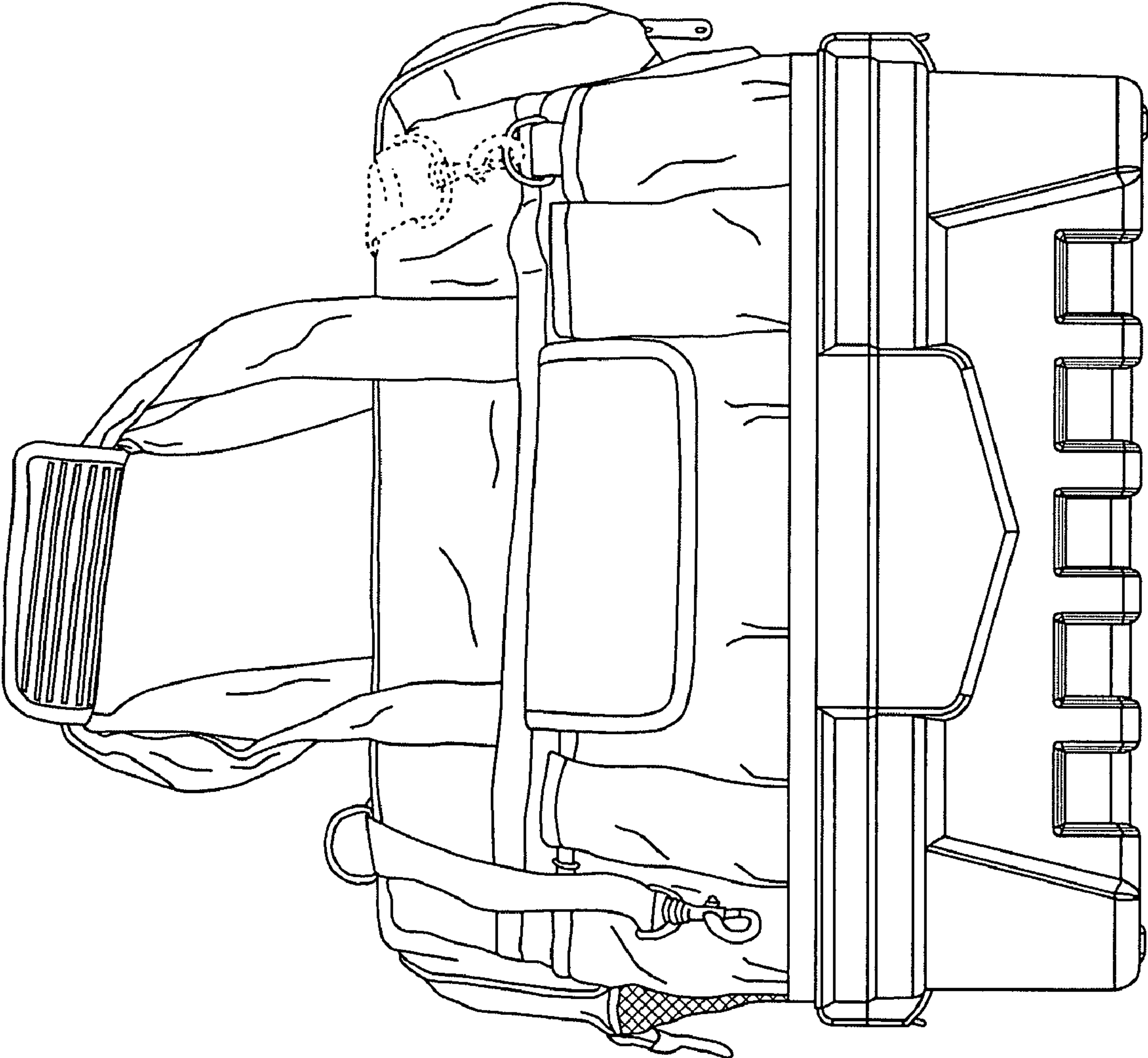
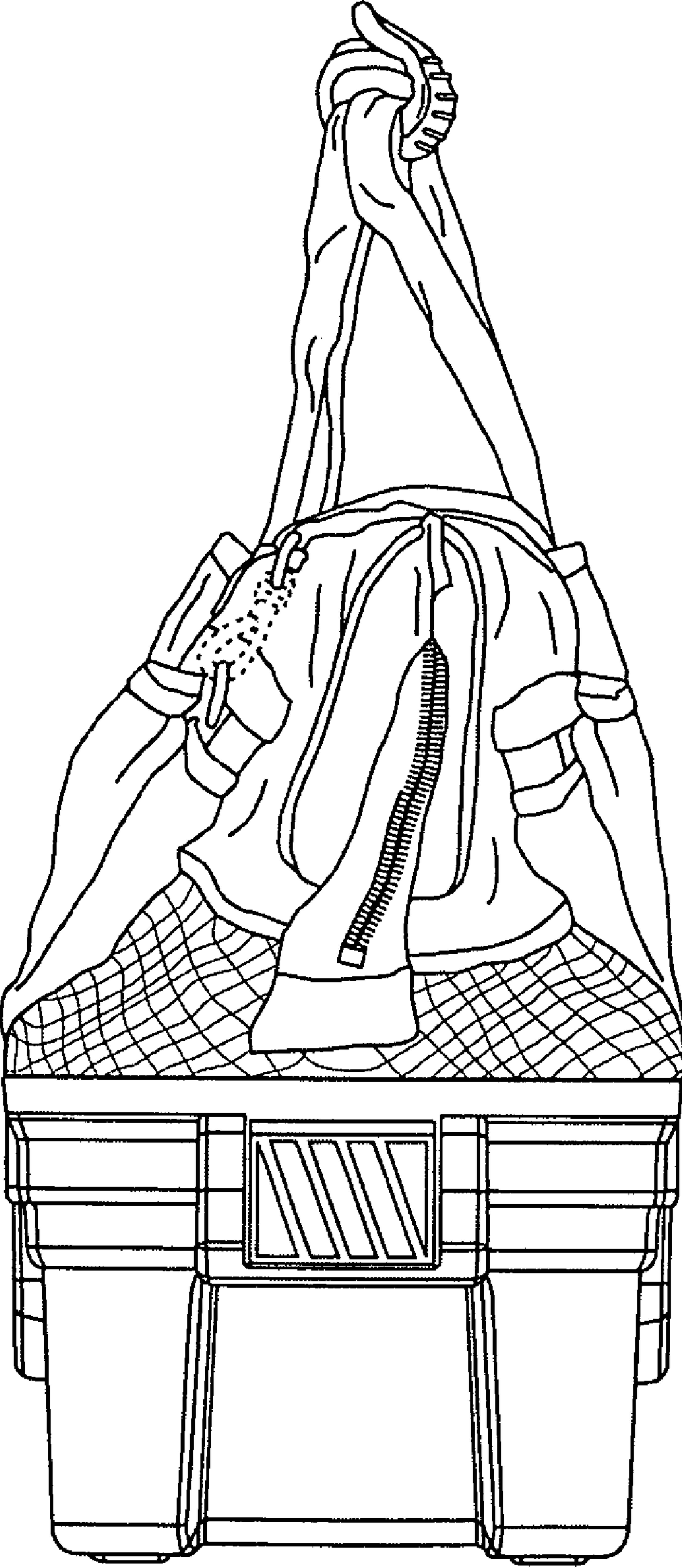


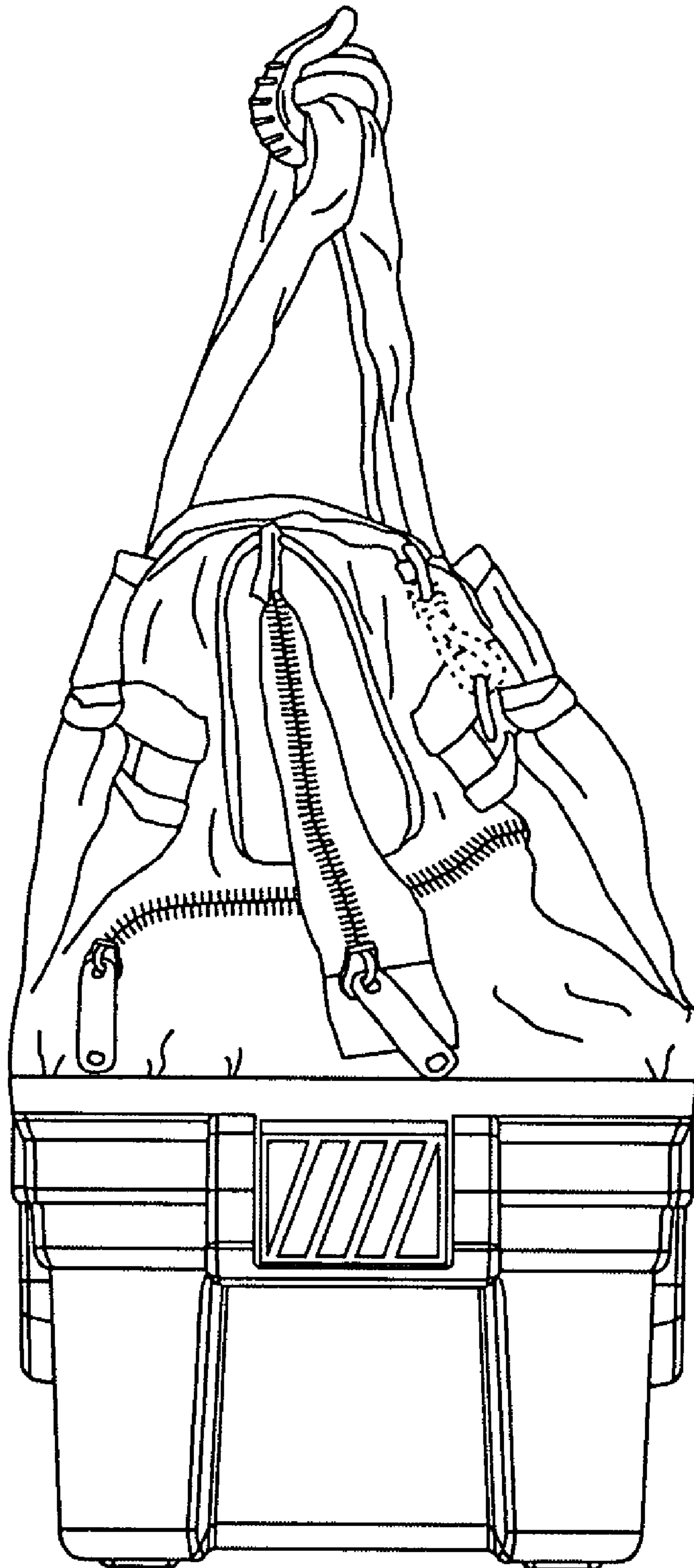
FIG. 2



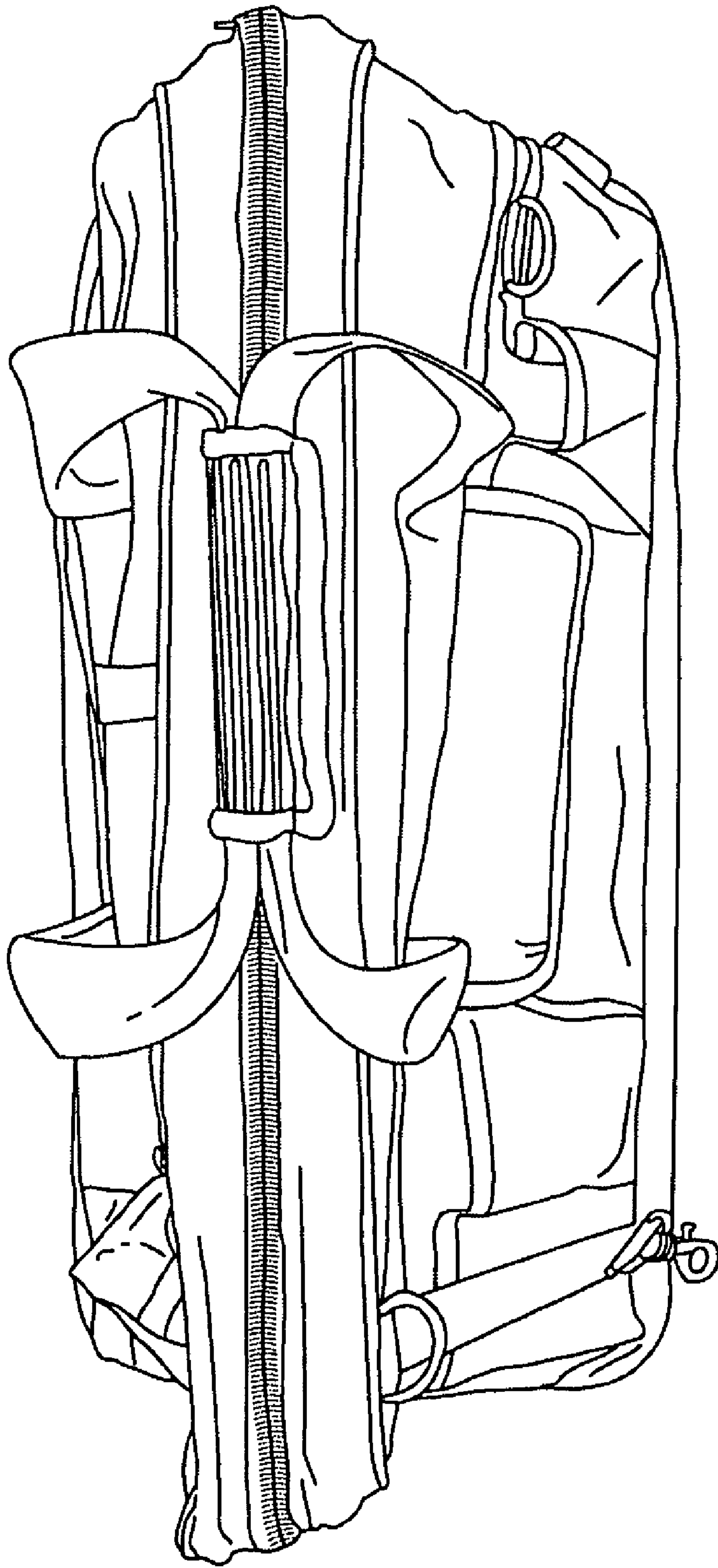
**FIG. 3**



**FIG. 4**

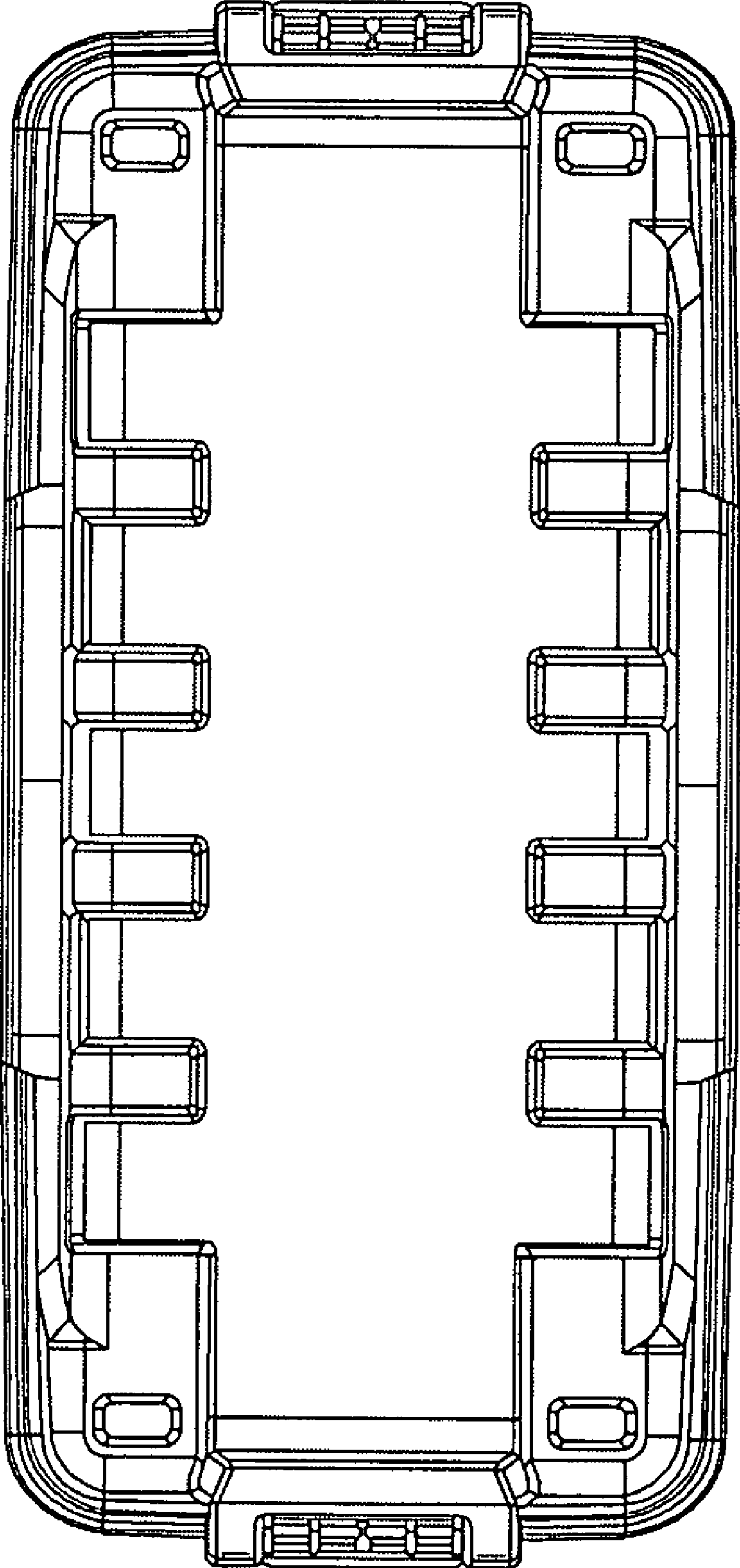


**FIG. 5**

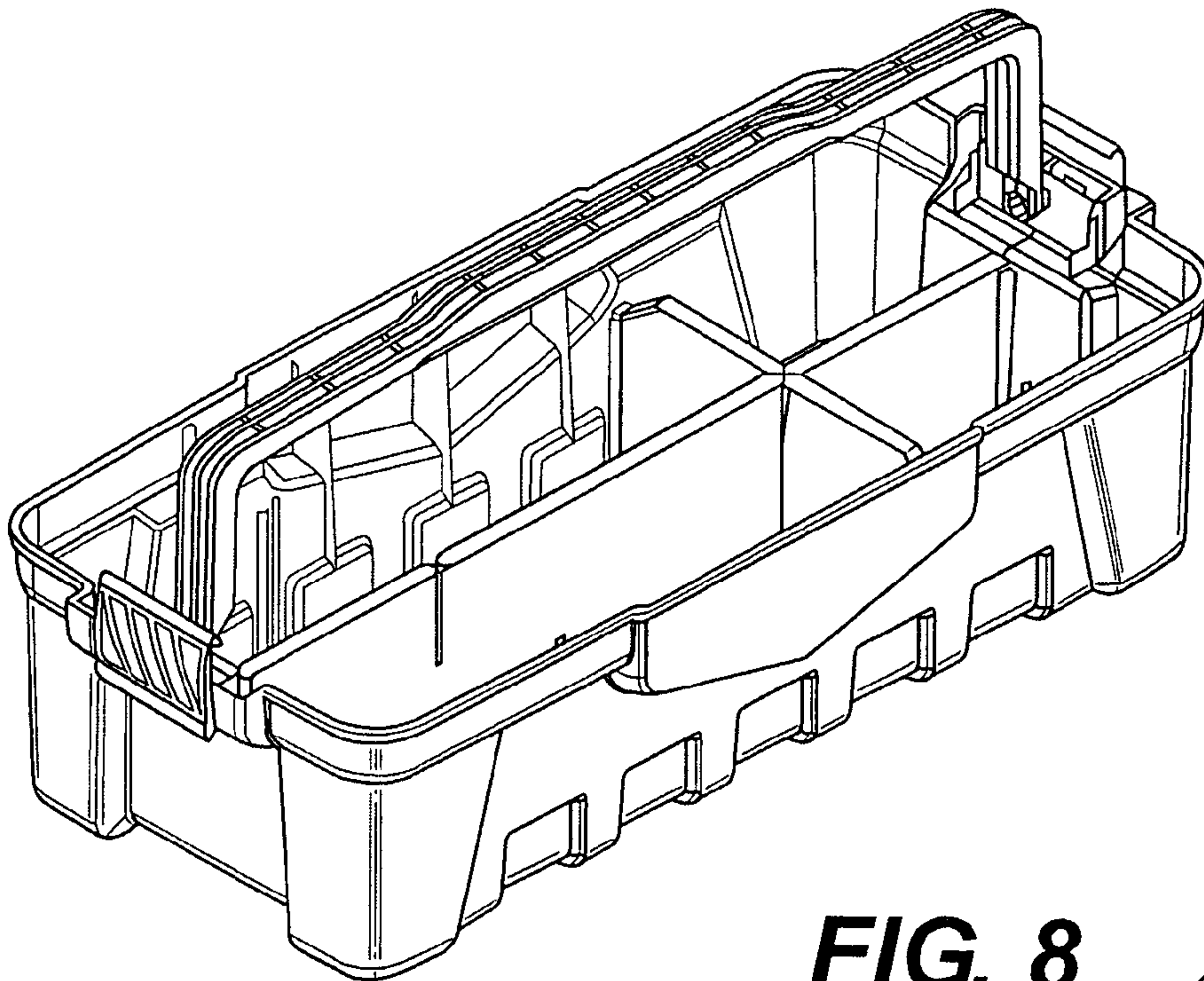
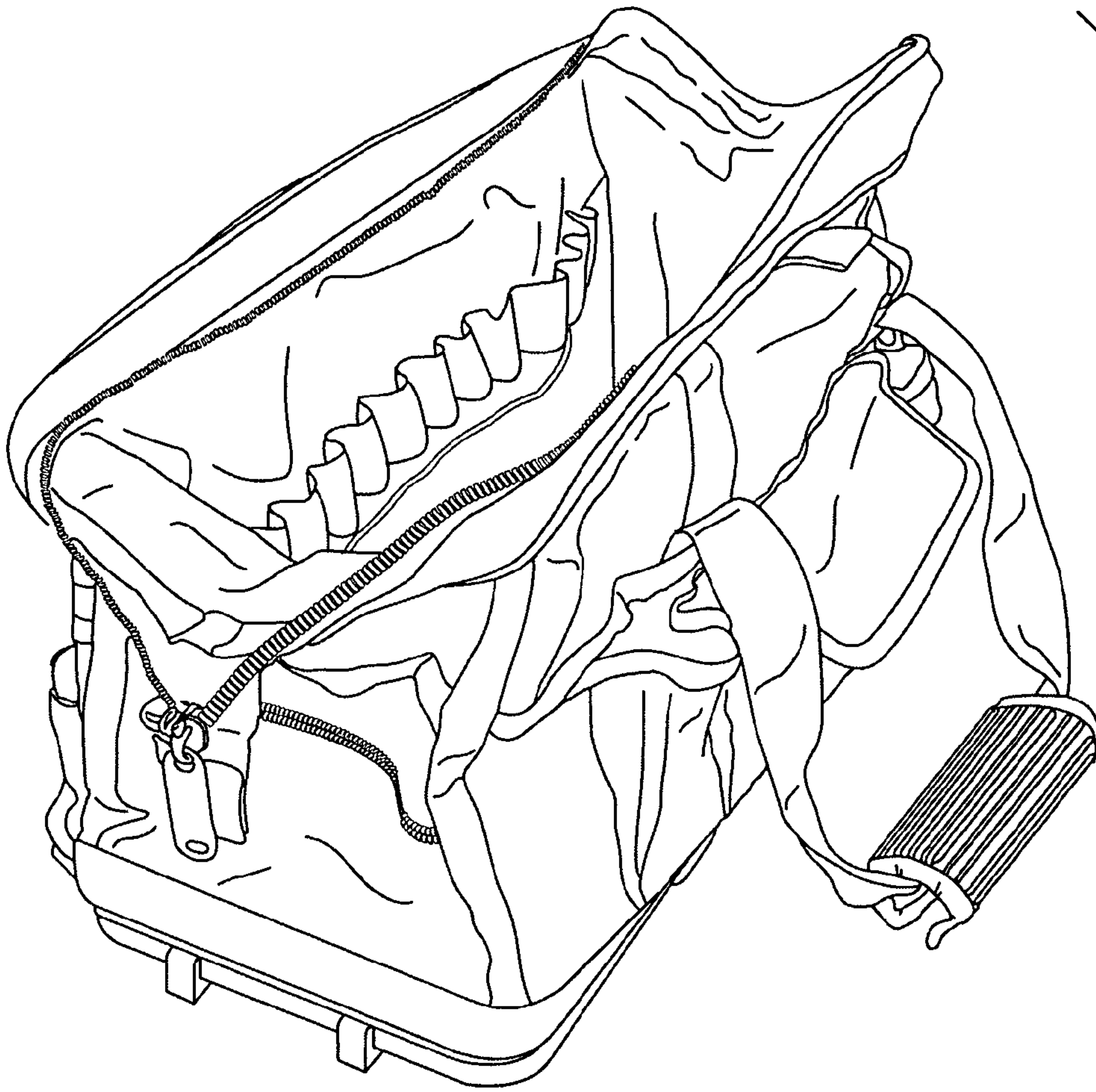


**FIG. 6**





**FIG. 7**



**FIG. 8**