



US00D610804S

(12) **United States Design Patent**
Bedingfield

(10) **Patent No.:** **US D610,804 S**
(45) **Date of Patent:** **** Mar. 2, 2010**

(54) **EYEGLASS CASE**
(75) Inventor: **Gerald Bedingfield**, Ardsley, NY (US)
(73) Assignee: **Opsales, Inc.**, Island Park, NY (US)
(**) Term: **14 Years**
(21) Appl. No.: **29/301,615**
(22) Filed: **Mar. 10, 2008**
(51) **LOC (9) Cl.** **03-01**
(52) **U.S. Cl.** **D3/265; D2/263**
(58) **Field of Classification Search** D3/219,
D3/263, 264, 265, 266, 301; 206/5, 5.1,
206/6
See application file for complete search history.

D489,529 S * 5/2004 Vish et al. D3/301
D495,877 S * 9/2004 Thorsen D3/246
D511,895 S * 11/2005 Vish et al. D3/318
D513,148 S * 12/2005 Nieves D6/633
7,104,398 B1 * 9/2006 Wisecarver 206/316.3
D530,080 S * 10/2006 Hsu D3/219
D569,845 S * 5/2008 Ragde et al. D14/214
D573,136 S * 7/2008 Lee et al. D14/217
D584,930 S * 1/2009 Lown et al. D7/709
D586,557 S * 2/2009 Jalet D3/294
D590,594 S * 4/2009 Nathanson D3/271.1
D592,185 S * 5/2009 Ragde et al. D14/214
D596,158 S * 7/2009 Ragde et al. D14/214
D601,795 S * 10/2009 Chen et al. D3/254
2009/0114550 A1 * 5/2009 Ying et al. 206/5

* cited by examiner

Primary Examiner—Celia A Murphy
(74) *Attorney, Agent, or Firm*—Robert L. Epstein; Epstein
Drangel Bazerman & James, LLP

(56) **References Cited**
U.S. PATENT DOCUMENTS

575,357 A * 1/1897 Koenen 206/6
1,699,712 A * 1/1929 Pratt 69/21
2,642,987 A * 6/1953 Castelli 206/6
4,119,248 A * 10/1978 Butler et al. 224/148.3
D310,296 S * 9/1990 Janus D3/202
D333,037 S * 2/1993 Dweck et al. D3/265
5,261,582 A * 11/1993 Mathews et al. 224/240
D348,980 S * 7/1994 Mathews D3/265
D352,825 S * 11/1994 Hsieh D3/265
D382,708 S * 8/1997 Canning D3/265
D387,628 S * 12/1997 Keene D7/607
D389,704 S * 1/1998 Yousko et al. D7/607
D414,603 S * 10/1999 Burchett D3/265
D423,675 S * 4/2000 Ramos, IV D24/194
D431,106 S * 9/2000 Williams, Jr. D3/265
D435,726 S * 1/2001 Gomez D3/276
6,398,017 B1 * 6/2002 Cafiero 206/6
D479,429 S * 9/2003 Chan D6/635

(57) **CLAIM**

The ornamental design for an eyeglass case, substantially as shown and described.

DESCRIPTION

FIG. 1 is a perspective view showing an eyeglass case showing my new design;
FIG. 2 is an elevation view showing the front of the case;
FIG. 3 is an elevation view showing the rear of the case;
FIG. 4 is an elevation view showing the left side of the case;
FIG. 5 is an elevation view showing the right side of the case;
FIG. 6 is an elevation view showing the top of the case; and,
FIG. 7 is an elevation view showing the bottom of the case.

1 Claim, 6 Drawing Sheets

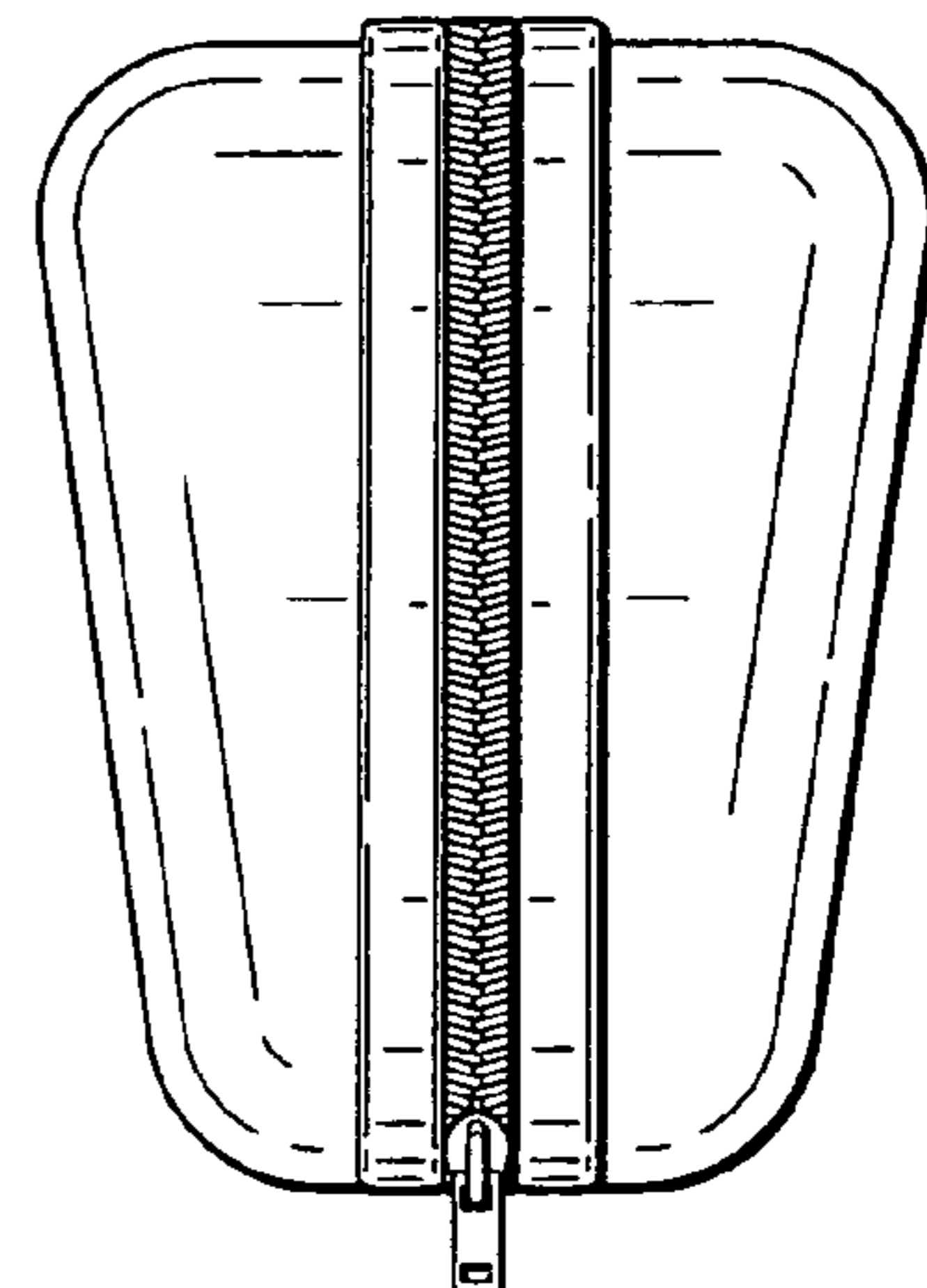
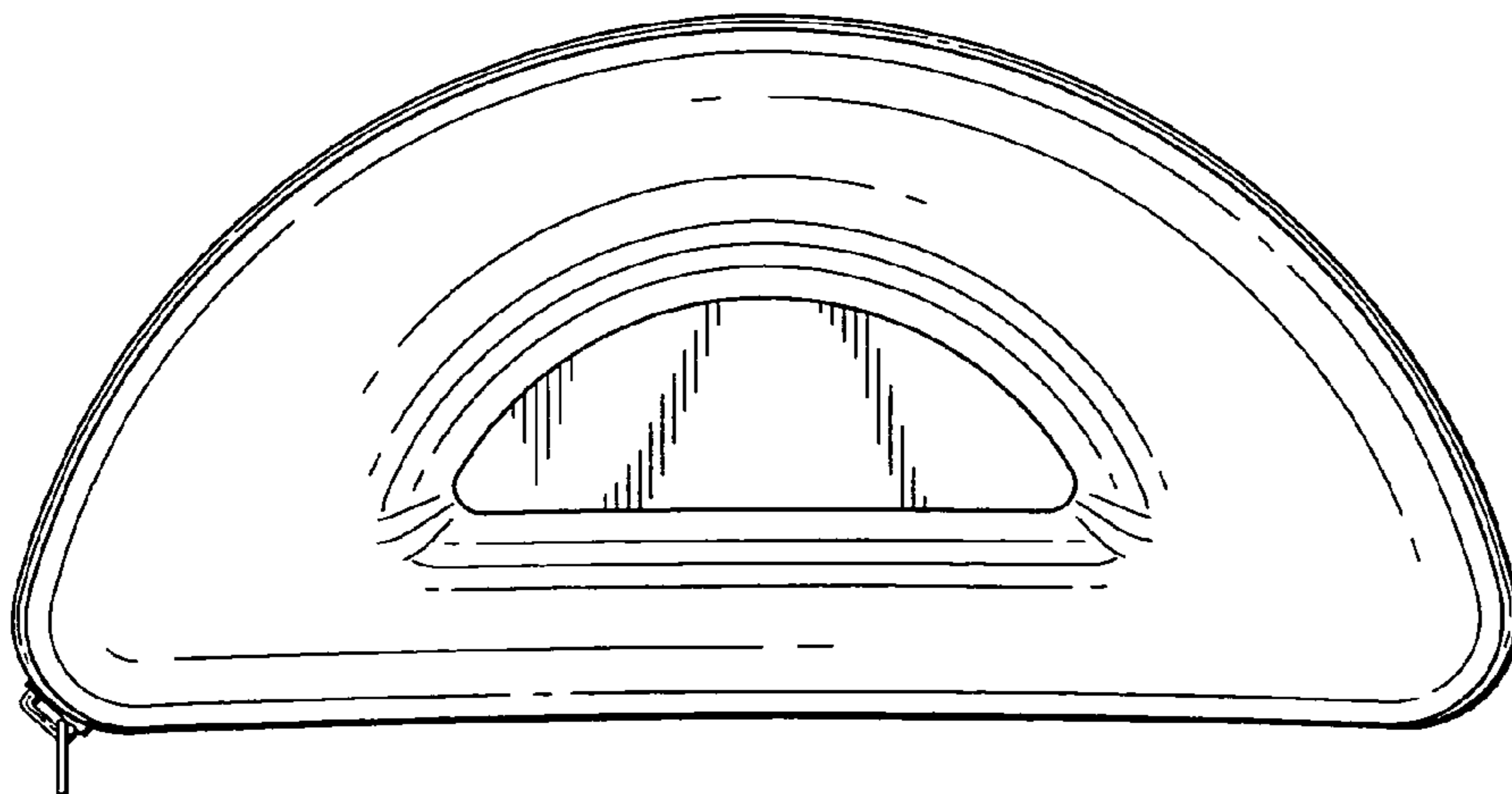


FIG. 1

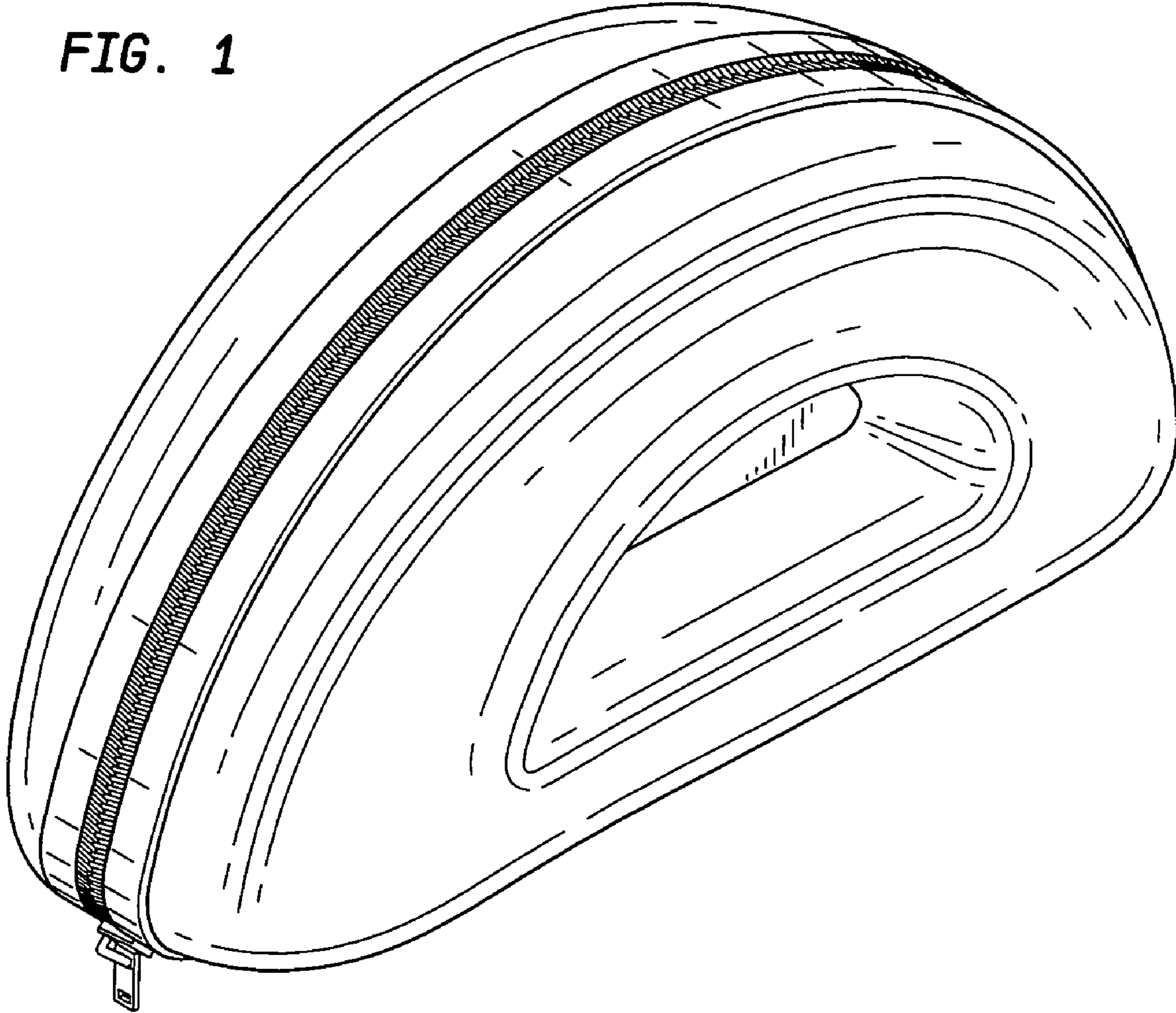


FIG. 2

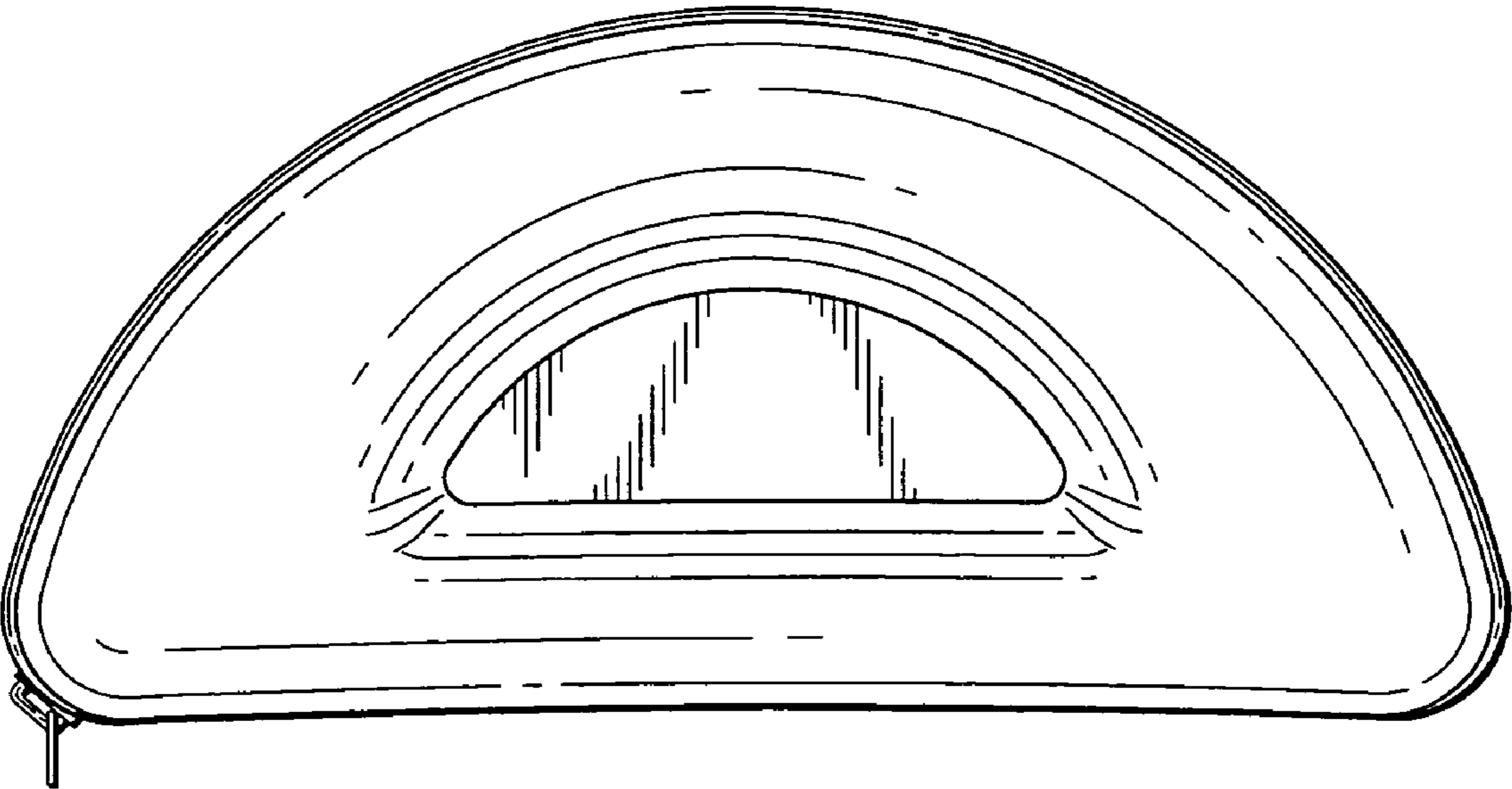


FIG. 3

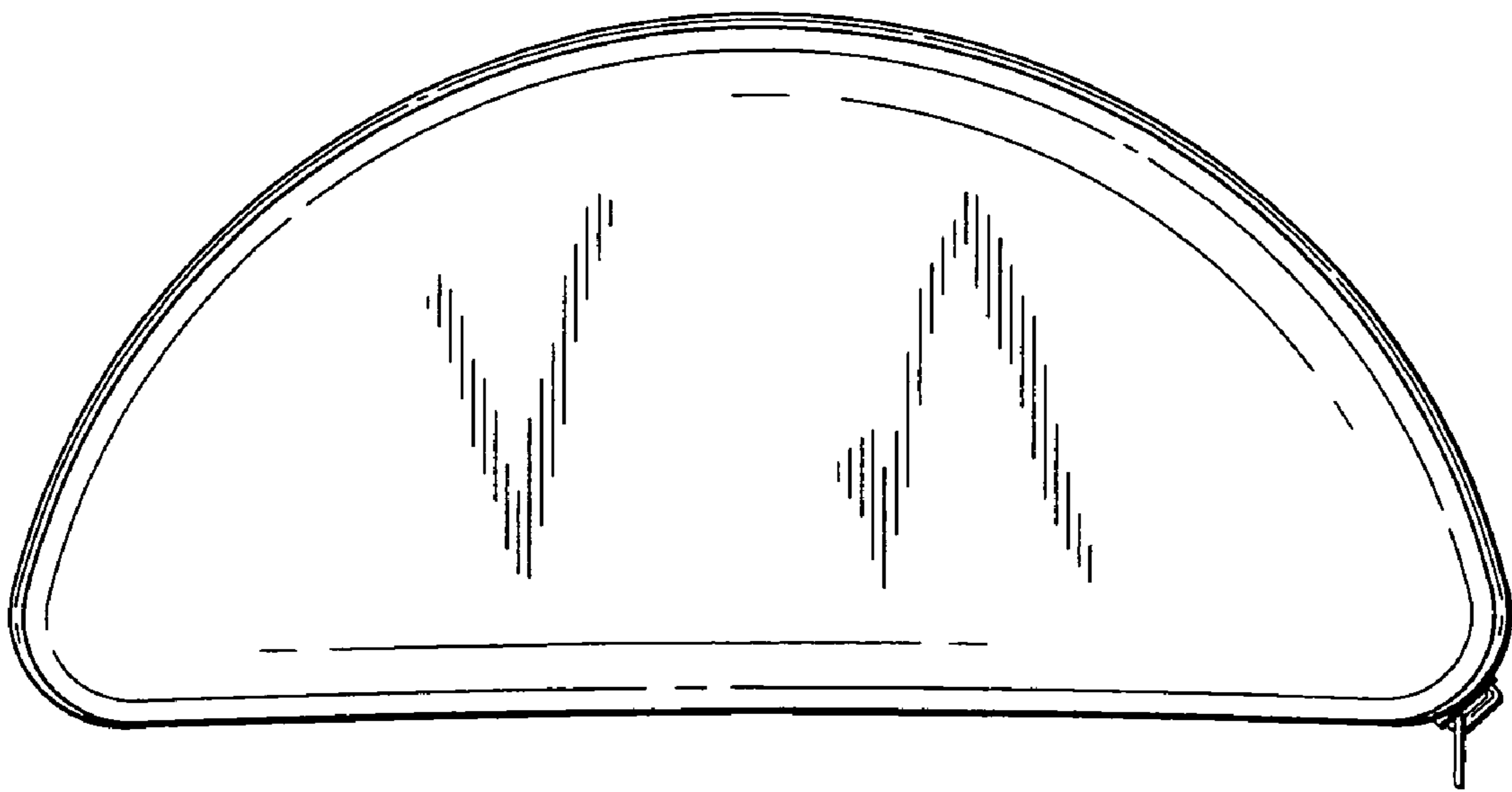


FIG. 4

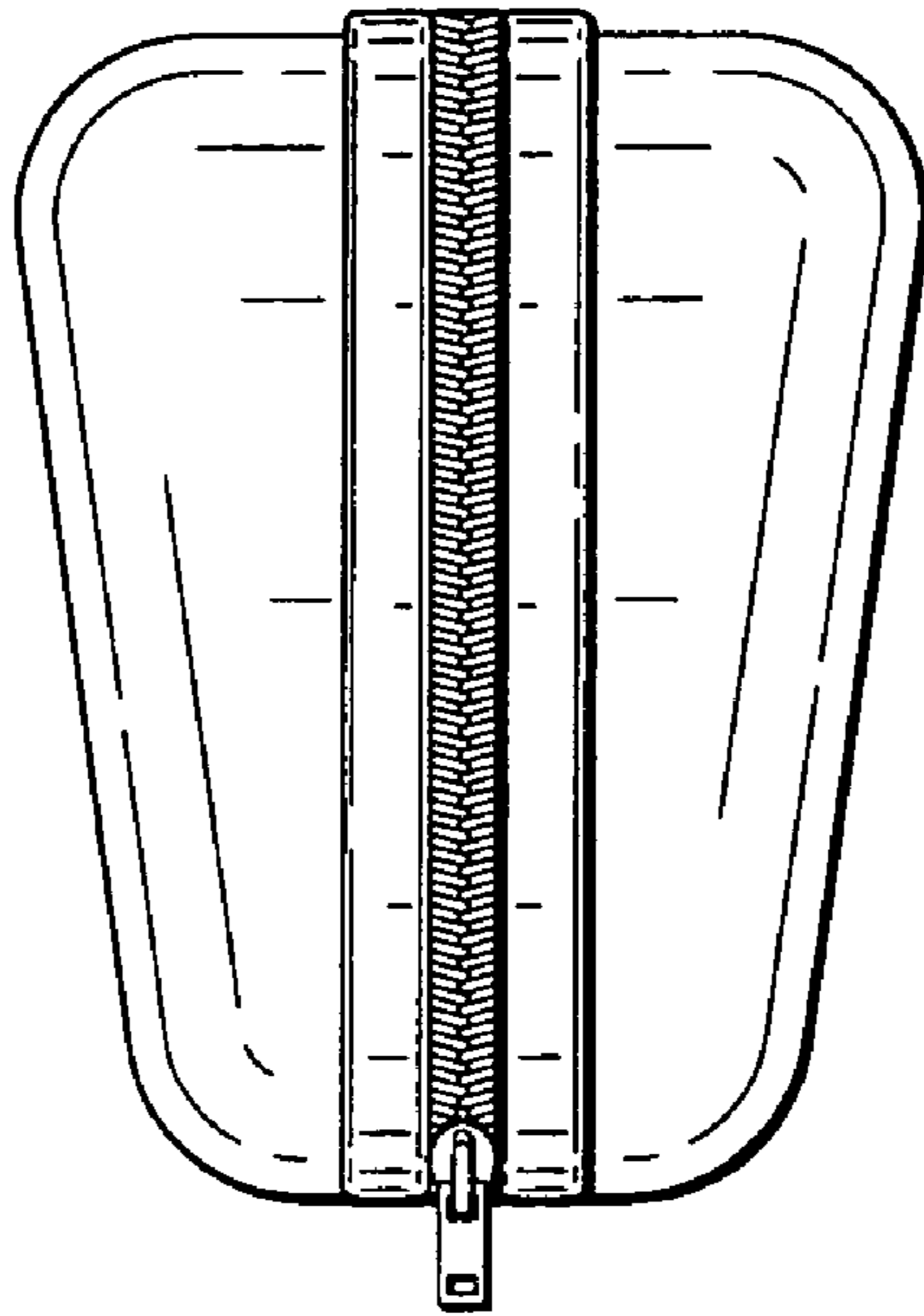


FIG. 5

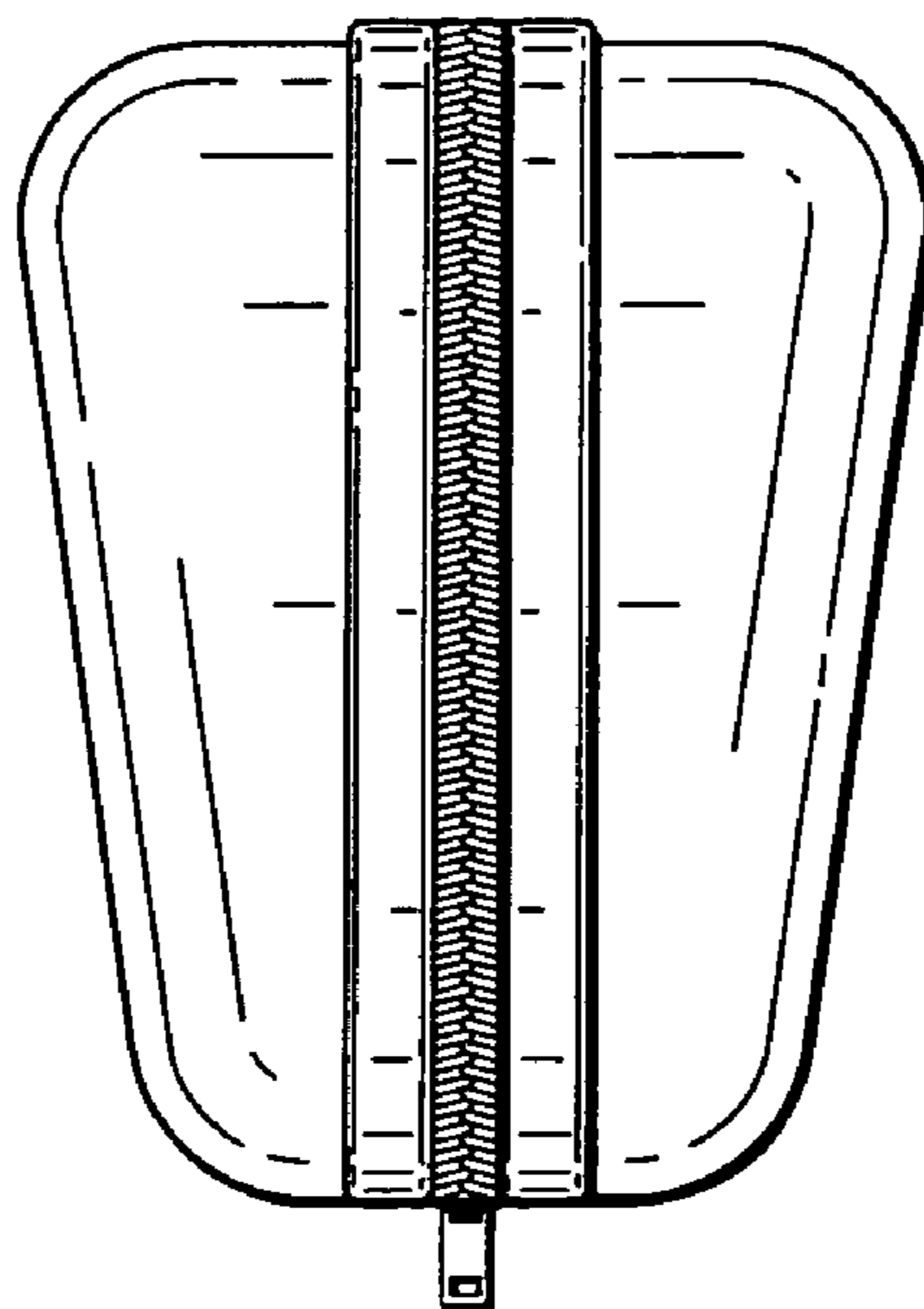


FIG. 6

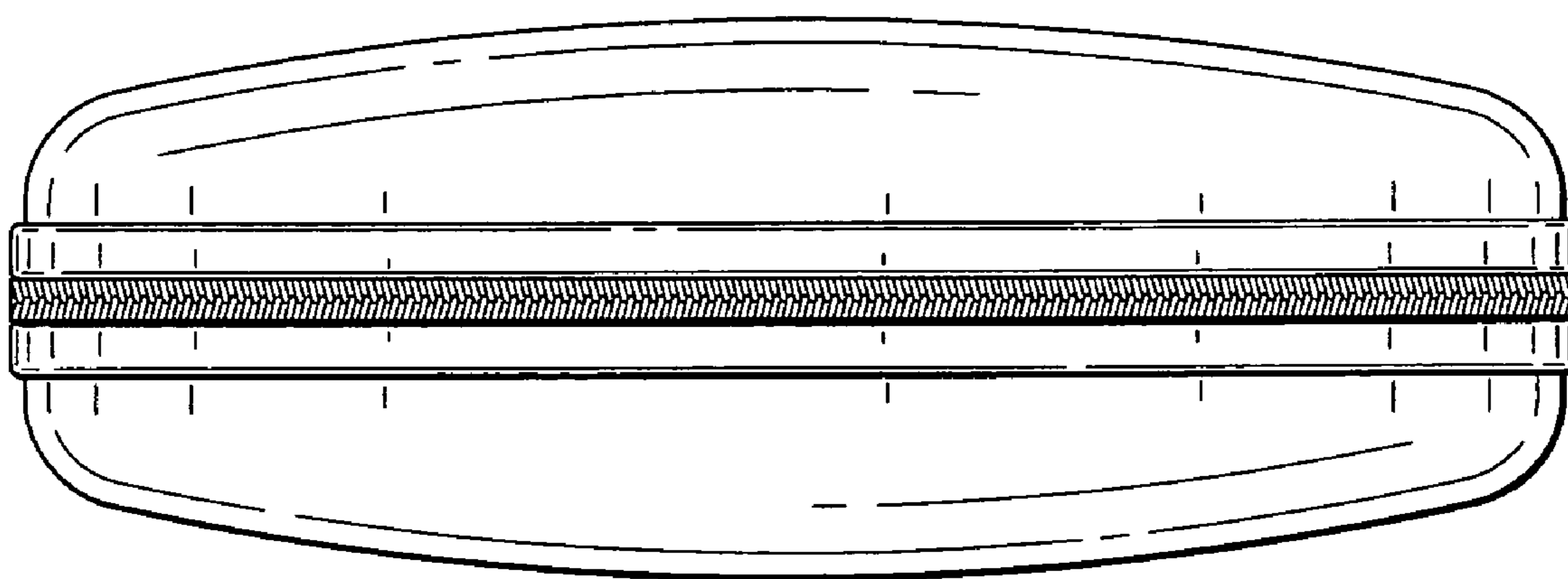


FIG. 7

