



US00D610801S

(12) **United States Design Patent**  
**Romero et al.**

(10) **Patent No.:** **US D610,801 S**  
(45) **Date of Patent:** **\*\* Mar. 2, 2010**

(54) **BASE HANDBAG WITH INTERCHANGEABLE HANDBAG COVER**

FOREIGN PATENT DOCUMENTS

(75) Inventors: **Michelle Romero**, West Valley City, UT (US); **Annette B. Cavaness**, Provo, UT (US); **Christian J. Seegmiller**, Riverton, UT (US)

GB 2350285 A 11/2000

(Continued)

(73) Assignee: **Miche Bag, LLC**, South Jordan, UT (US)

OTHER PUBLICATIONS

(\*\*) Term: **14 Years**

“The Smart Handbag,” Pattern #601, created by Eliza Jane Smart, Bernina Connection, LLC, 2 pgs. [online] [retrieved on Mar. 21, 2007]. Retrieved from the Internet URL: [http://berninaconnection.com/cgi-bin/Store/store.cgi?product=patterns\\_main&productid=0...](http://berninaconnection.com/cgi-bin/Store/store.cgi?product=patterns_main&productid=0...)

(21) Appl. No.: **29/320,888**

(22) Filed: **Jul. 7, 2008**

(Continued)

**Related U.S. Application Data**

*Primary Examiner*—Holly H Baynham  
(74) *Attorney, Agent, or Firm*—Workman Nydegger

(63) Continuation-in-part of application No. 11/945,174, filed on Nov. 26, 2007.

(51) **LOC (9) Cl.** ..... **03-01**

(52) **U.S. Cl.** ..... **D3/232**

(58) **Field of Classification Search** ..... D3/232–233,  
D3/240–246, 318, 324; 150/100–104, 106–110,  
150/113–114, 118–119

See application file for complete search history.

(57) **CLAIM**

The ornamental design for a base handbag with interchangeable handbag cover, as shown and described.

**DESCRIPTION**

(56) **References Cited**

U.S. PATENT DOCUMENTS

1,960,396 A	5/1934	Rosenberg	
1,978,971 A	10/1934	Thornhill et al.	
2,023,144 A	12/1935	Miller	
2,118,400 A	5/1938	Goldberg	
D129,151 S *	8/1941	Lewis	D3/240
D131,188 S *	1/1942	Lewis	D3/240
2,369,482 A	2/1945	Morris	
2,437,382 A	9/1948	Czap	
2,477,388 A	7/1949	Moore	
D155,608 S *	10/1949	Hilf	D3/240
2,656,870 A	10/1953	Wishnia	

FIG. 1 is a front perspective view of a base handbag with attached, interchangeable handbag cover, with the opposing rear view being a mirror image thereof;

FIG. 2 is a front perspective view thereof showing the handbag cover in a partially opened position with respect to the base handbag;

FIG. 3 is a front elevational view of the base handbag and handbag cover shown in FIG. 1 with the opposing rear view being a mirror image thereof;

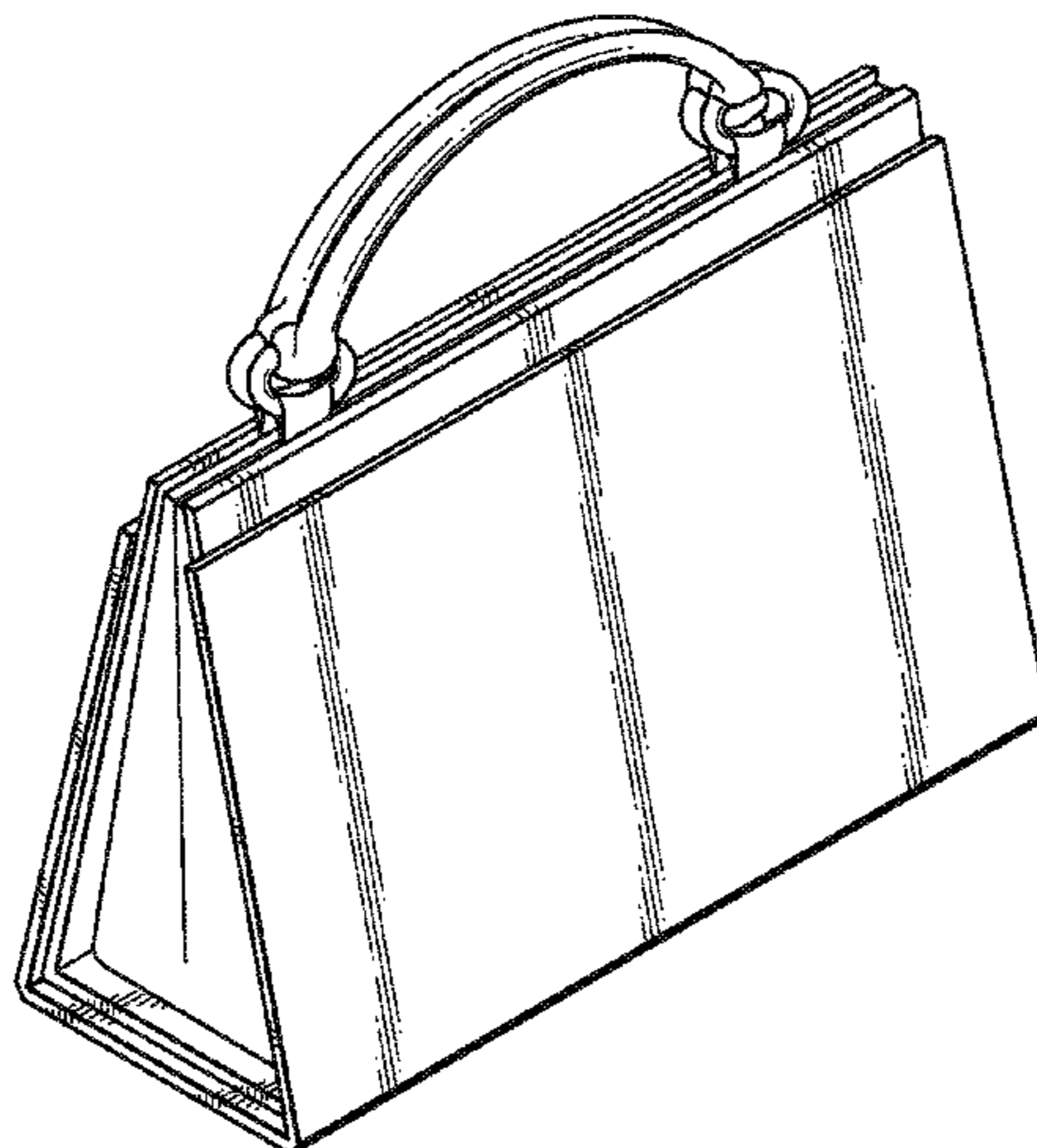
FIG. 4 is a top plan view thereof;

FIG. 5 is an elevated left view thereof, with the opposing right view being a mirror image thereof; and,

FIG. 6 is an elevated bottom view thereof.

(Continued)

**1 Claim, 3 Drawing Sheets**



# US D610,801 S

Page 2

## U.S. PATENT DOCUMENTS

2,779,373 A 1/1957 Koepke  
2,809,685 A 10/1957 Lowy  
2,893,457 A 7/1959 Wilson  
3,182,701 A 5/1965 Ginsburg  
3,556,187 A 1/1971 Speakes  
3,575,226 A 4/1971 Chapman  
4,088,167 A 5/1978 Schwartz  
4,112,991 A 9/1978 Barbaresi  
4,260,004 A 4/1981 Domke  
4,754,790 A 7/1988 Meyers  
4,907,633 A 3/1990 Eckstein  
5,178,198 A 1/1993 Fitzgerald  
5,207,254 A 5/1993 Fromm  
5,533,558 A 7/1996 Carey et al.  
5,725,039 A 3/1998 Macinai et al.  
5,894,975 A 4/1999 Holden et al.  
5,983,969 A 11/1999 Morgan  
6,003,573 A 12/1999 Owens  
6,029,723 A 2/2000 Baquero et al.  
6,129,126 A 10/2000 Restivo  
6,173,837 B1 1/2001 Marconi  
6,179,025 B1 1/2001 Sutton  
6,186,201 B1 2/2001 Salz  
6,237,660 B1 5/2001 Giardino  
D444,943 S \* 7/2001 Nastasi ..... D3/246  
6,394,157 B2 5/2002 Luna  
6,422,278 B1 7/2002 Grogan  
6,446,688 B1 9/2002 Sutton  
6,543,499 B2 4/2003 McCreery  
D476,809 S \* 7/2003 Ko ..... D3/276  
D495,877 S \* 9/2004 Thorsen ..... D3/246  
6,807,992 B2 10/2004 Powers  
D497,716 S \* 11/2004 de Baschmakoff ..... D3/241  
6,820,664 B1 11/2004 Ritch  
6,968,880 B2 11/2005 Battaglia et al.  
6,971,424 B1 12/2005 Angevine  
7,028,730 B2 4/2006 Pace et al.  
7,222,649 B1 5/2007 Fox  
7,461,676 B2 12/2008 Huie  
2001/0015248 A1 8/2001 McCreery

2002/0029831 A1 3/2002 Pendergrass  
2002/0066505 A1 6/2002 Grogan  
2003/0000612 A1 1/2003 Sutton  
2003/0177664 A1 9/2003 Monassebian  
2004/0050468 A1 3/2004 Powers  
2004/0187988 A1 9/2004 Andrews  
2005/0028908 A1 2/2005 Schaus et al.  
2005/0173034 A1 8/2005 Antrobus  
2005/0274441 A1 12/2005 Pace et al.  
2006/0021684 A1 2/2006 DeCoro, III  
2006/0157175 A1 7/2006 Pace et al.  
2006/0174984 A1 8/2006 Burns  
2006/0266452 A1 11/2006 Huie  
2006/0278311 A1 12/2006 Mittelstaedt  
2007/0209742 A1 9/2007 Morgan  
2008/0006355 A1 1/2008 Gomez  
2008/0185082 A1 8/2008 Mejia et al.  
2008/0230158 A1 9/2008 Romero et al.  
2009/0065110 A1 3/2009 Cassella  
2009/0188592 A1 7/2009 Connacher et al.

## FOREIGN PATENT DOCUMENTS

JP 2002051816 2/2002  
KR 20-20030050218 5/2004  
WO WO01/91596 A1 12/2001  
WO WO2005008552 A1 1/2005  
WO WO2006/002005 A2 1/2006  
WO WO2006/002005 A3 1/2006  
WO WO2006/122197 A2 11/2006

## OTHER PUBLICATIONS

“Rock Album Cover Tote Bag,” created by Meg Musick-Makely, eco-artware.com, 2 pgs. [online] [retrieved on Mar. 21, 2007]. Retrieved from the Internet URL: <http://www.eco-artware.com/catalog/MMM1-album-tote.shtml>.  
International Search Report, PCT/US2007/085339, Mailed Mar. 14, 2008.  
Office Action Mailed Jul. 17, 2009, U.S. Appl. No. 11/945,174. Examiner Cynthia Francisca Collado.

\* cited by examiner

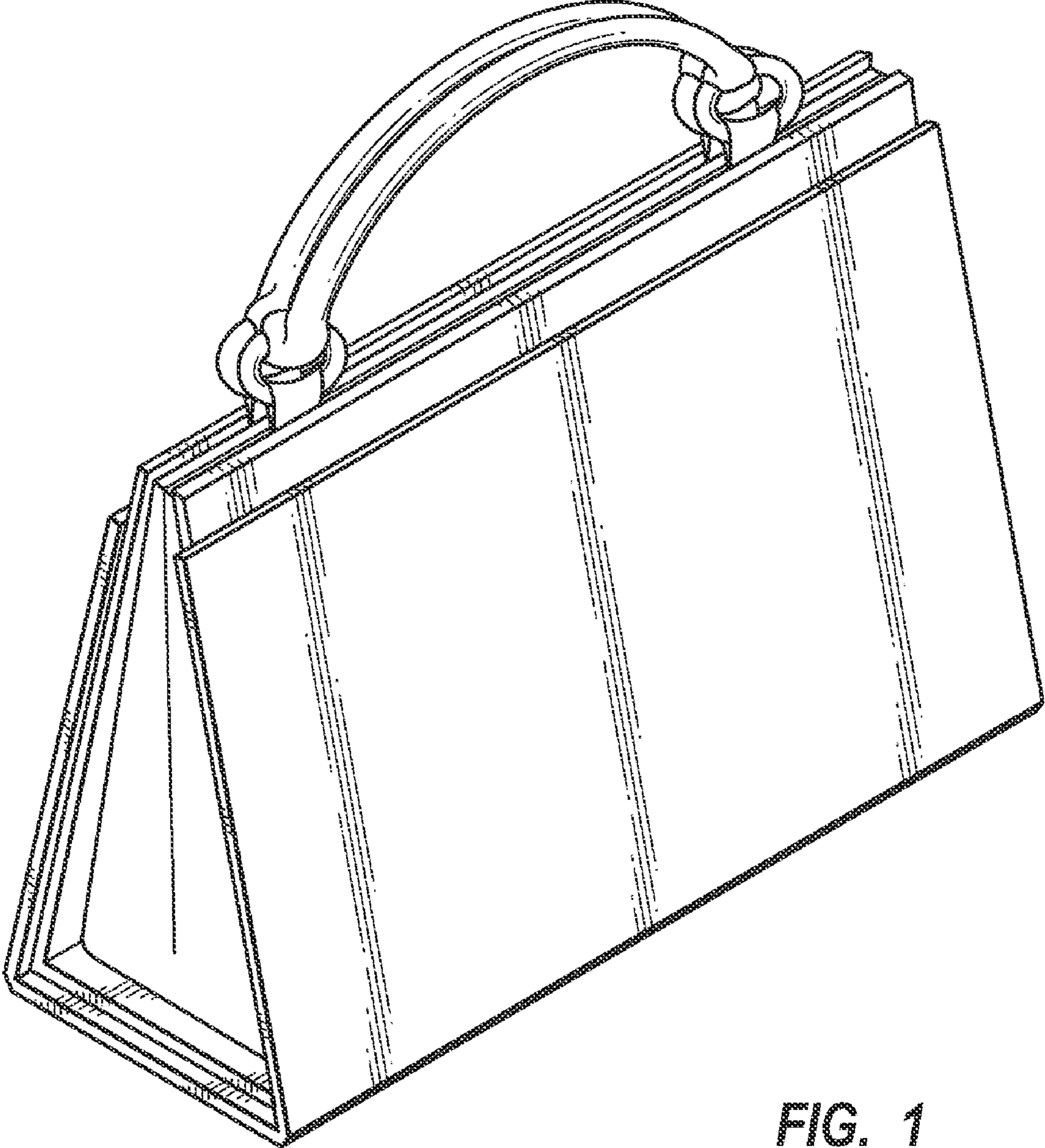


FIG. 1

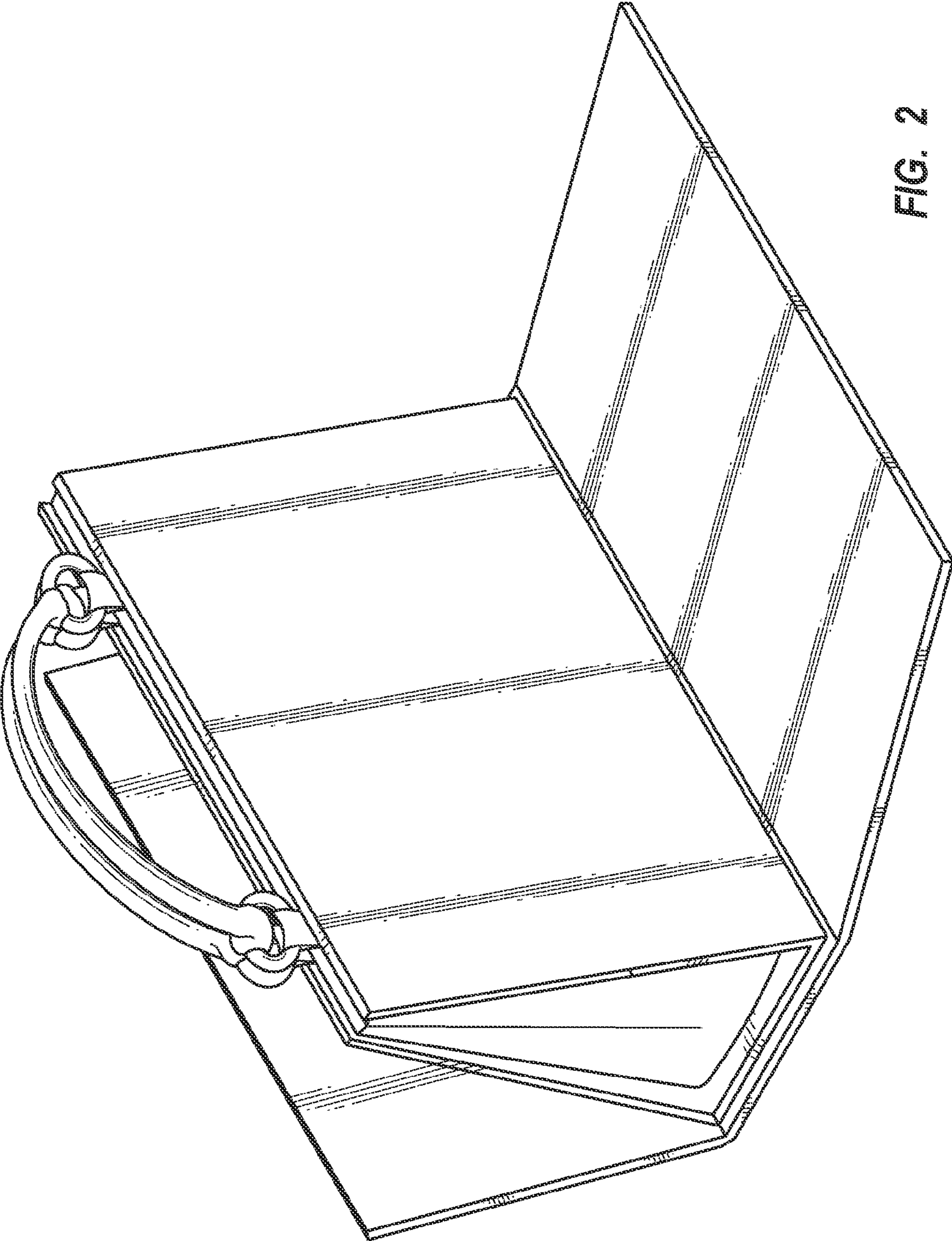


FIG. 2

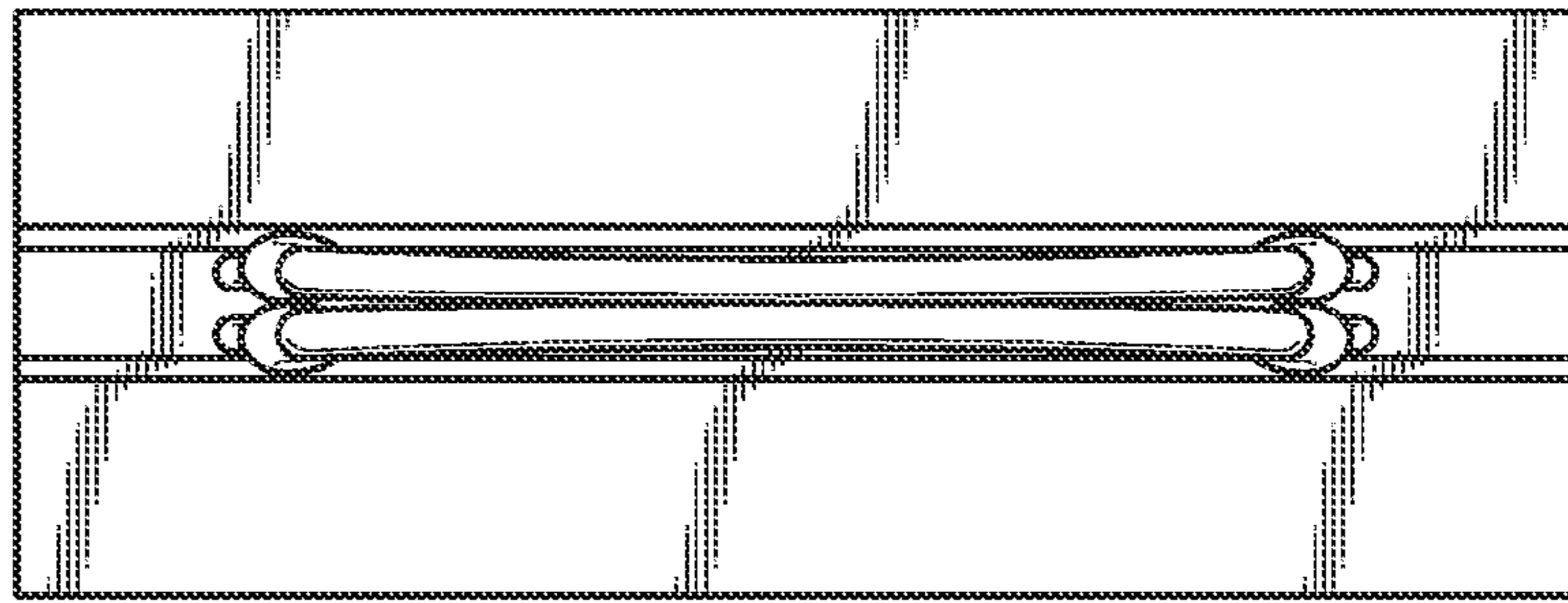


FIG. 4

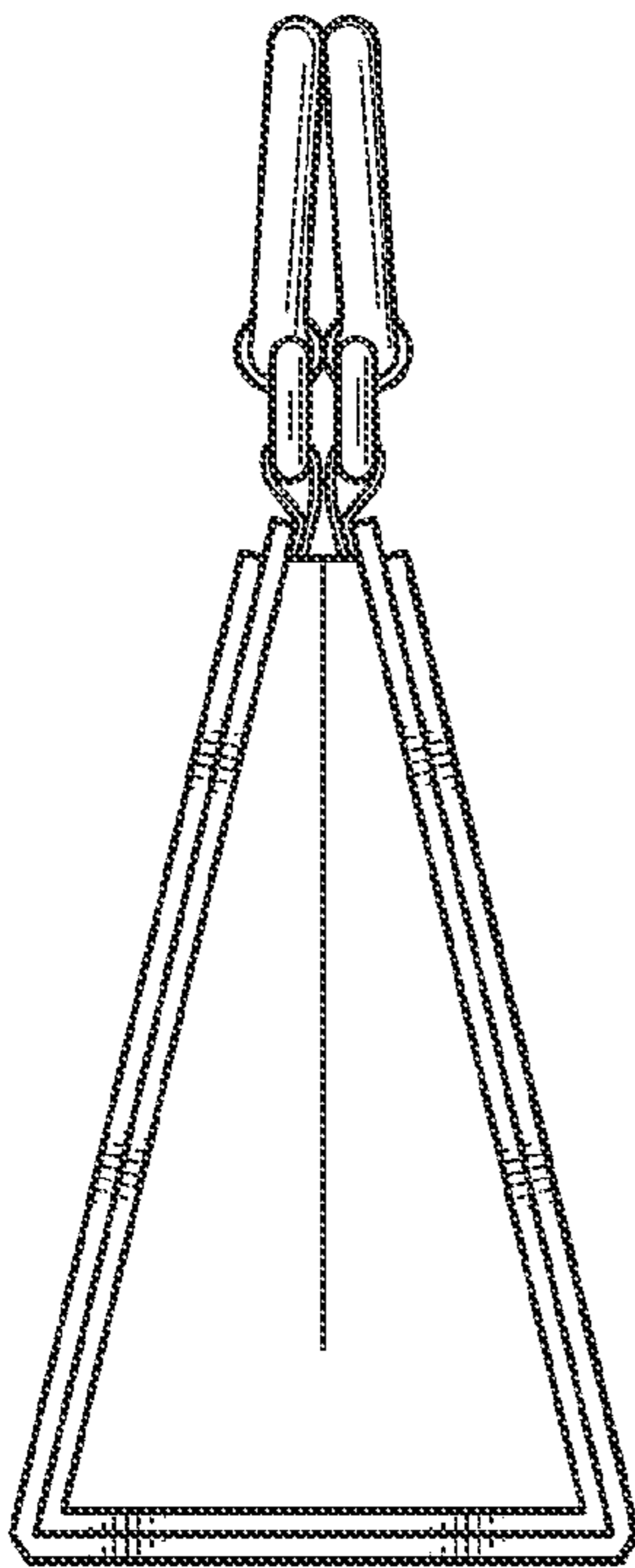


FIG. 5

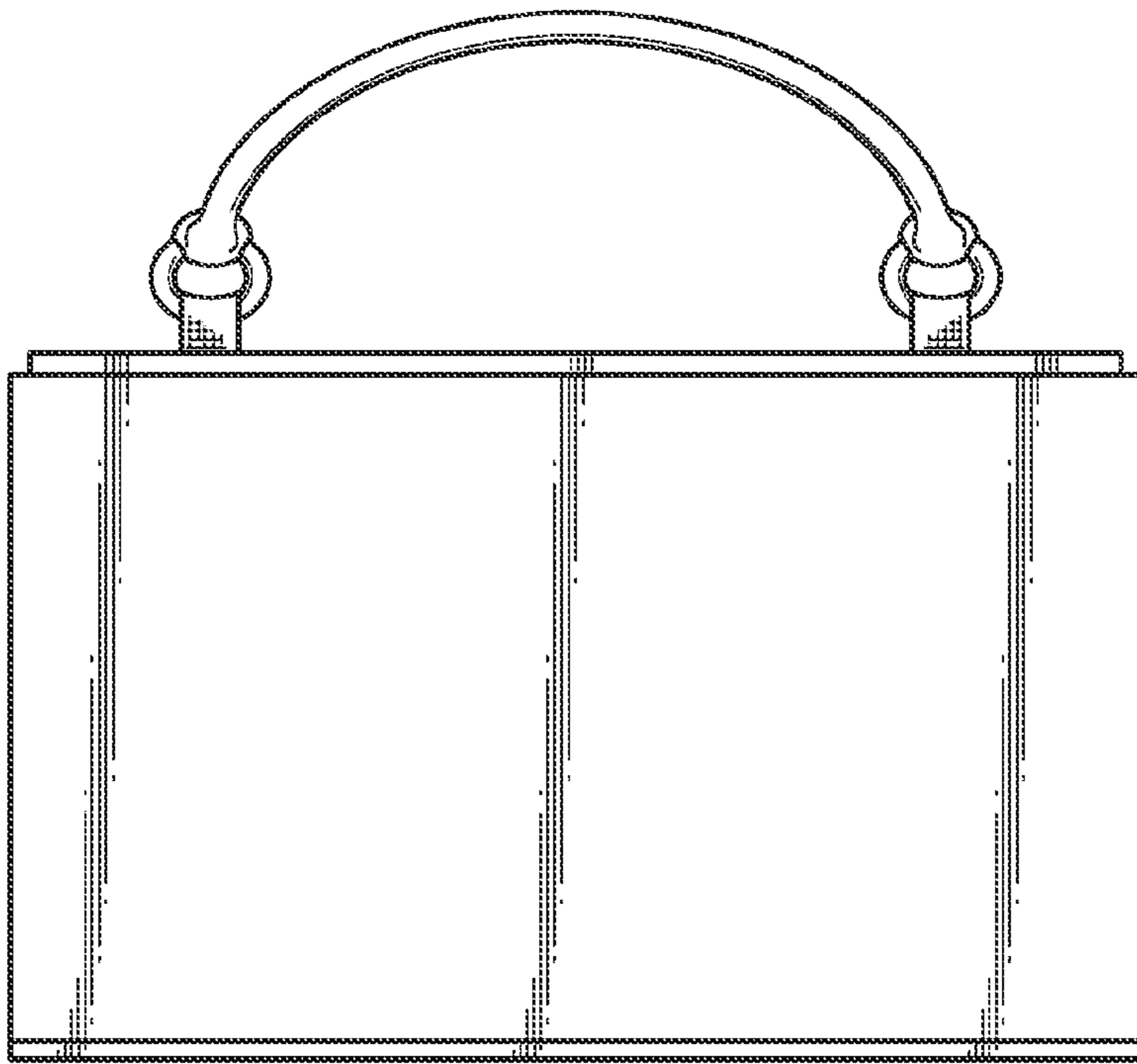


FIG. 3

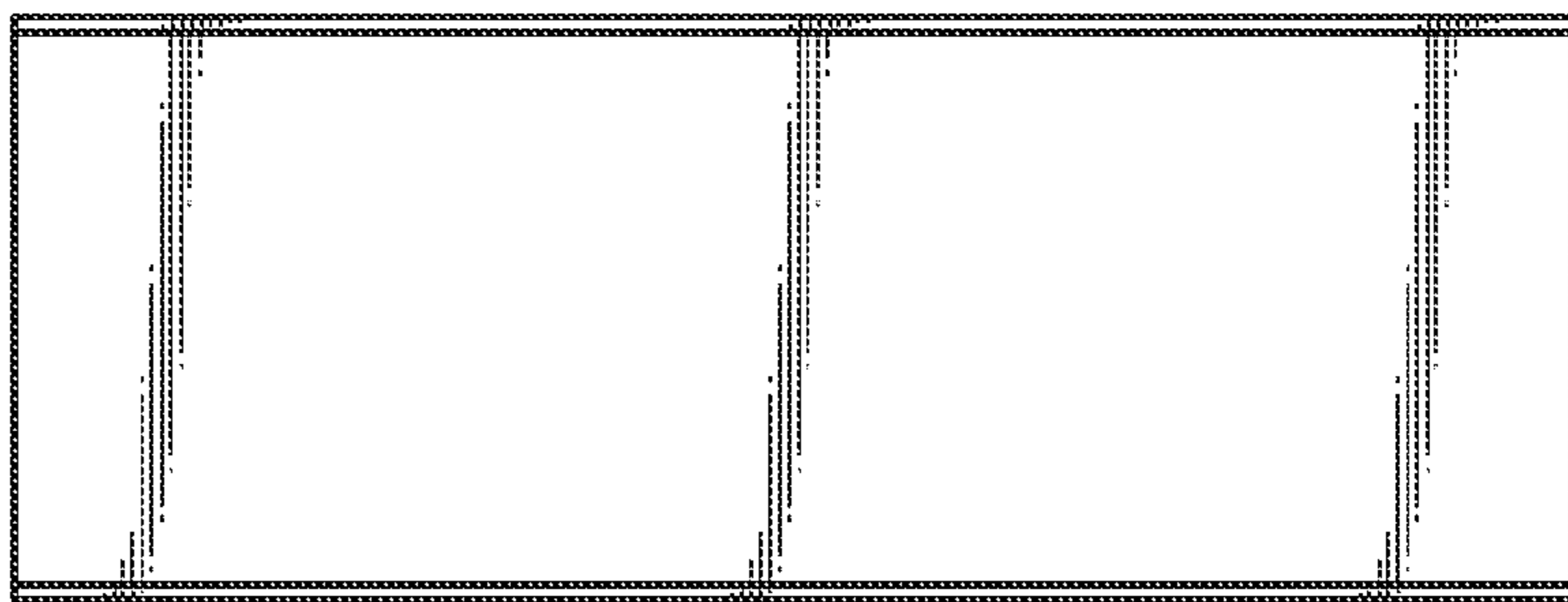


FIG. 6