



US00D610795S

(12) **United States Design Patent**
Dejadon

(10) **Patent No.:** **US D610,795 S**
(45) **Date of Patent:** **** Mar. 2, 2010**

(54) **NURSING BAG**
(75) **Inventor:** **Lynne Dejadon**, Andover, MA (US)
(73) **Assignee:** **Columbia Insurance Company**,
Omaha, NE (US)
(**) **Term:** **14 Years**
(21) **Appl. No.:** **29/325,918**
(22) **Filed:** **Oct. 8, 2008**

4,995,174 A 2/1991 Hong et al.
5,048,203 A 9/1991 Kling
5,185,944 A 2/1993 Okajima
D335,953 S 6/1993 Tyng
D345,453 S 3/1994 Carpenter
5,499,459 A 3/1996 Tamaro
5,526,584 A 6/1996 Bleimhofer et al.
D381,494 S 7/1997 Anderson
D384,798 S 10/1997 Gray
5,738,937 A 4/1998 Baychar
D396,144 S * 7/1998 Farmer D3/287
D402,449 S 12/1998 Robinson et al.
5,873,504 A * 2/1999 Farmer 224/576

(51) **LOC (9) Cl.** **03-01**
(52) **U.S. Cl.** **D3/203.1; D3/283**
(58) **Field of Classification Search** D3/232-233,
D3/243, 245-246, 254, 276, 283-287, 289,
D3/203.1, 203.6, 203.7, 203.8; 150/106,
150/112, 117; 190/109, 111-112
See application file for complete search history.

(Continued)

OTHER PUBLICATIONS

Nursemates Ultimate Nursing Bag. Downloaded May 25, 2009 at
[http://www.lydiasuniforms.com/scrubs/products.asp?cat=100201&sku=WUNB&t=Nursemates_Ultimeat...*](http://www.lydiasuniforms.com/scrubs/products.asp?cat=100201&sku=WUNB&t=Nursemates_Ultimeat...)

Primary Examiner—Philip S Hyder
Assistant Examiner—Roselyne Cody
(74) *Attorney, Agent, or Firm*—DeLio & Peterson, LLC;
David Chen, Esquire

(56) **References Cited**

U.S. PATENT DOCUMENTS

1,974,543 A 9/1934 Reymond
2,046,217 A 6/1936 Strauss
2,079,237 A 5/1937 Allard
2,160,768 A 5/1939 Wasser
2,344,069 A 3/1944 Wasser
3,091,871 A 6/1963 Tronche
3,175,310 A 3/1965 MacQuaid
3,175,311 A 3/1965 MacQuaid
3,191,321 A 6/1965 Brutting
3,213,551 A 10/1965 Krauss
3,407,518 A 10/1968 MacQuaid et al.
3,525,165 A 8/1970 Randall, Jr.
3,561,142 A 2/1971 Streit, Sr. et al.
D238,621 S * 1/1976 Workman D3/289
D241,783 S * 10/1976 Sykes D3/268
D256,518 S 8/1980 Moesle
4,231,170 A 11/1980 Griswold
4,366,629 A 1/1983 Scherz
4,561,525 A * 12/1985 Shidner 190/106
4,562,652 A 1/1986 Hensler
D292,645 S * 11/1987 Young D3/245
4,908,963 A 3/1990 Krajcir et al.

(57) **CLAIM**

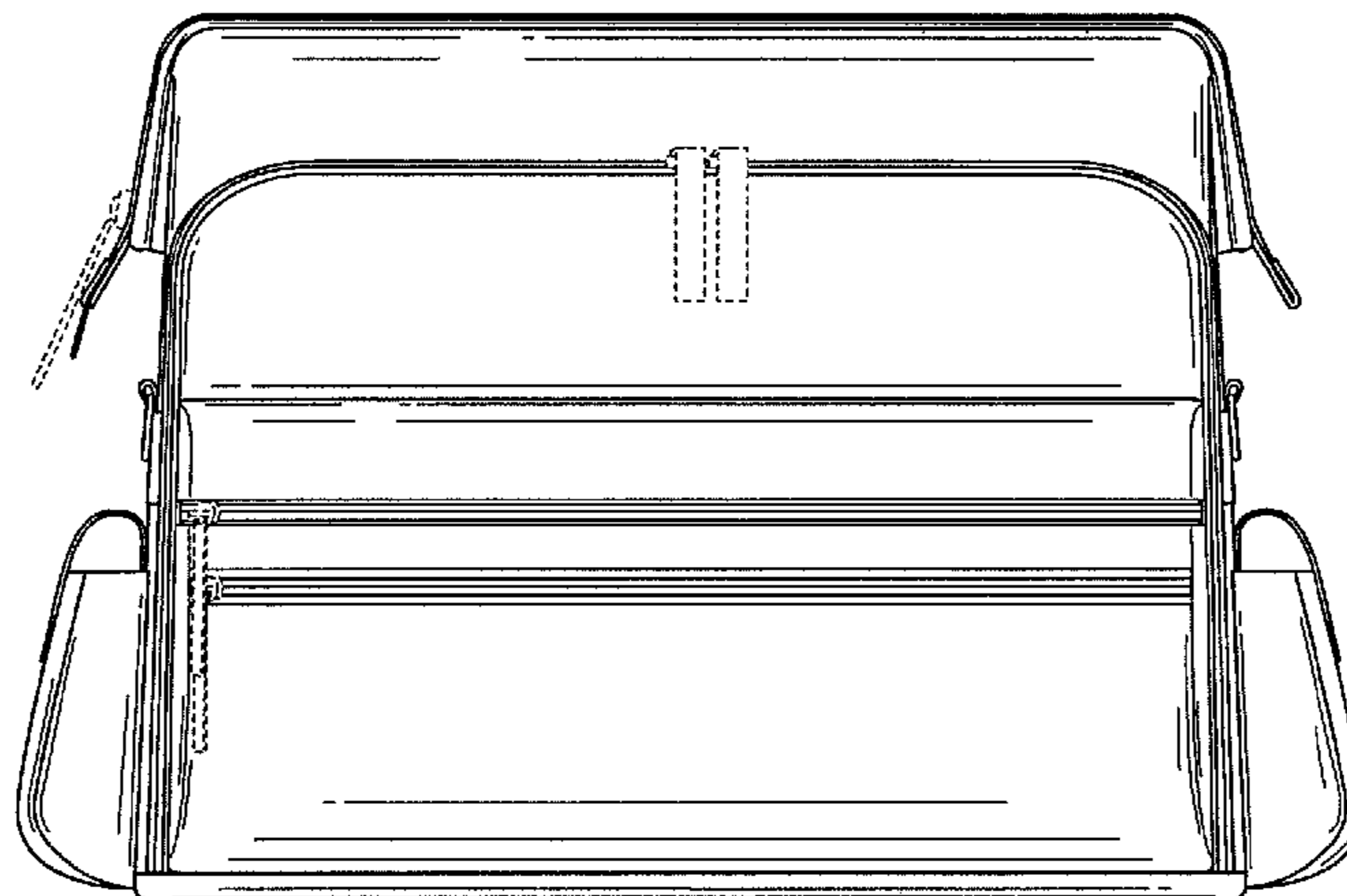
The ornamental design for a “nursing bag,” as shown and described.

DESCRIPTION

FIG. 1 is a perspective view of a bag in accordance with the new design;
FIG. 2 is a front view thereof;
FIG. 3 is a rear view thereof;
FIG. 4 is a right side view thereof;
FIG. 5 is a left view thereof;
FIG. 6 is a top view thereof; and,
FIG. 7 is a bottom view thereof.

The broken lines in the figures illustrate environment and form no part of the claimed design.

1 Claim, 6 Drawing Sheets



US D610,795 S

Page 2

U.S. PATENT DOCUMENTS

D430,968 S	9/2000	Carroll			
6,161,315 A	12/2000	Dalton			
D468,083 S	1/2003	Morais			
D483,555 S	12/2003	Robinson, Jr. et al.			
D501,600 S	* 2/2005	Guyon	D3/246	* cited by examiner
D501,707 S	2/2005	Nakano			
D531,799 S	* 11/2006	Adams et al.	D3/285	
D559,536 S	* 1/2008	Gonzalez	D3/232	
D570,110 S	* 6/2008	Guyon et al.	D3/246	
D570,111 S	* 6/2008	Guyon et al.	D3/246	

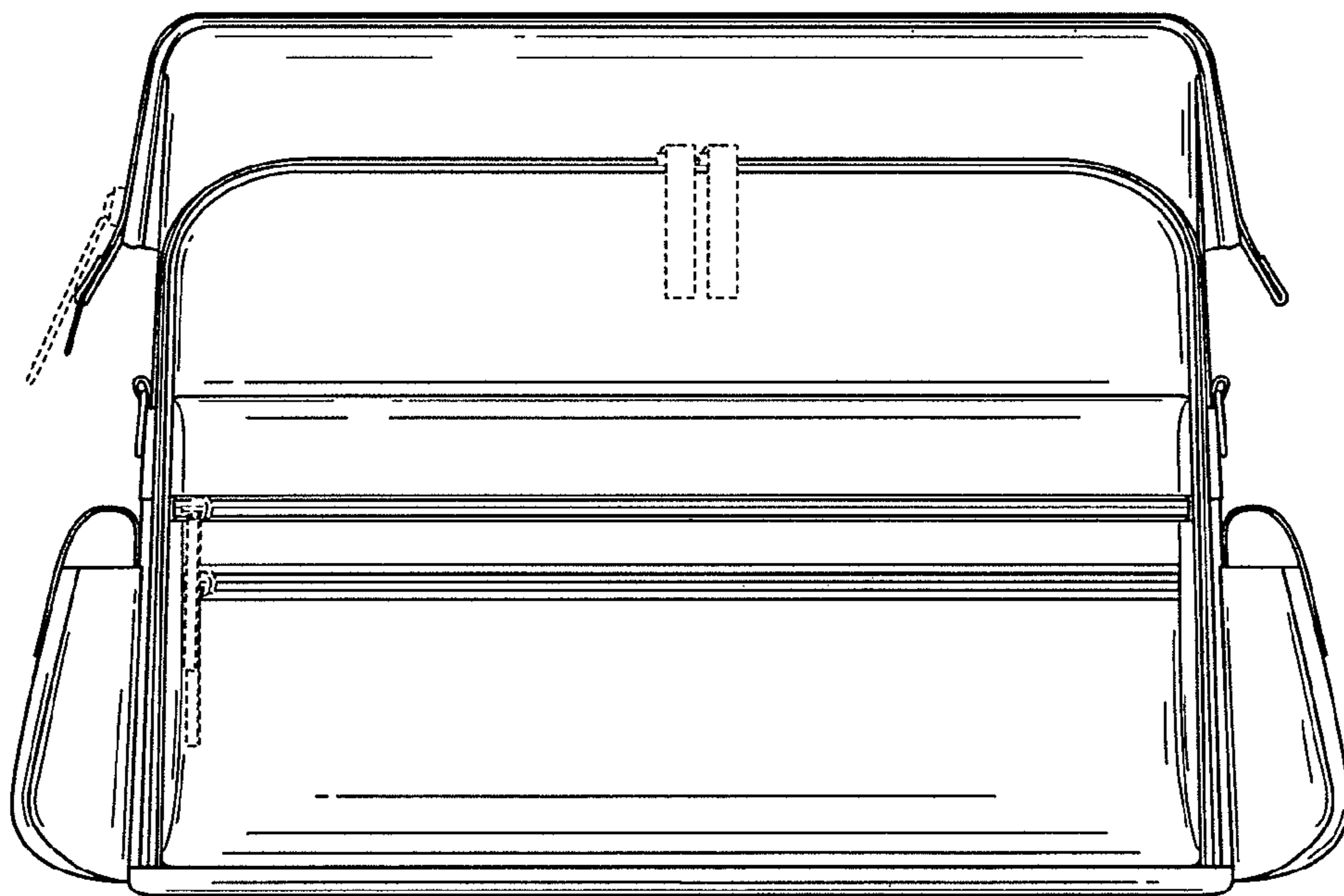


FIG. 1

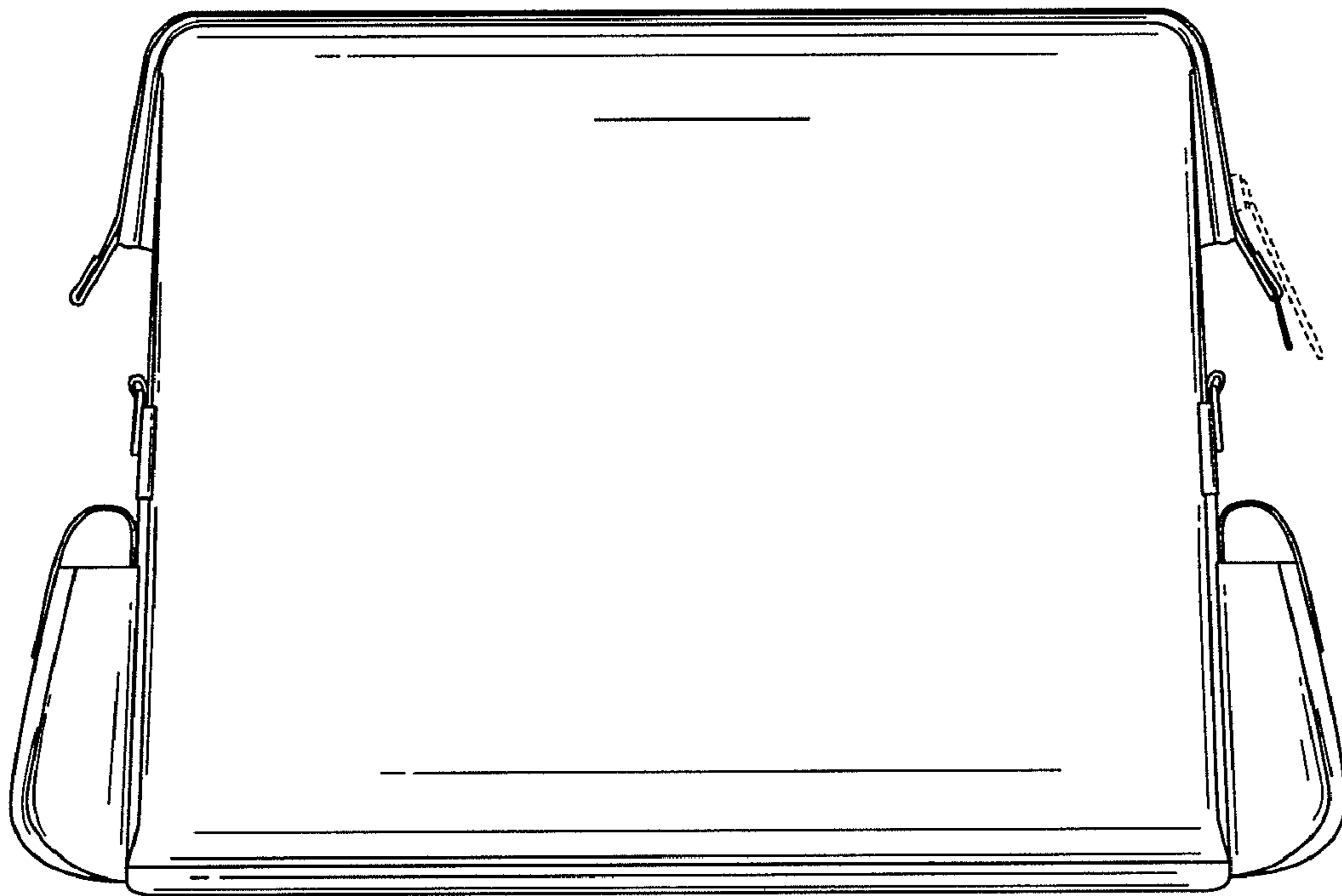


FIG. 2

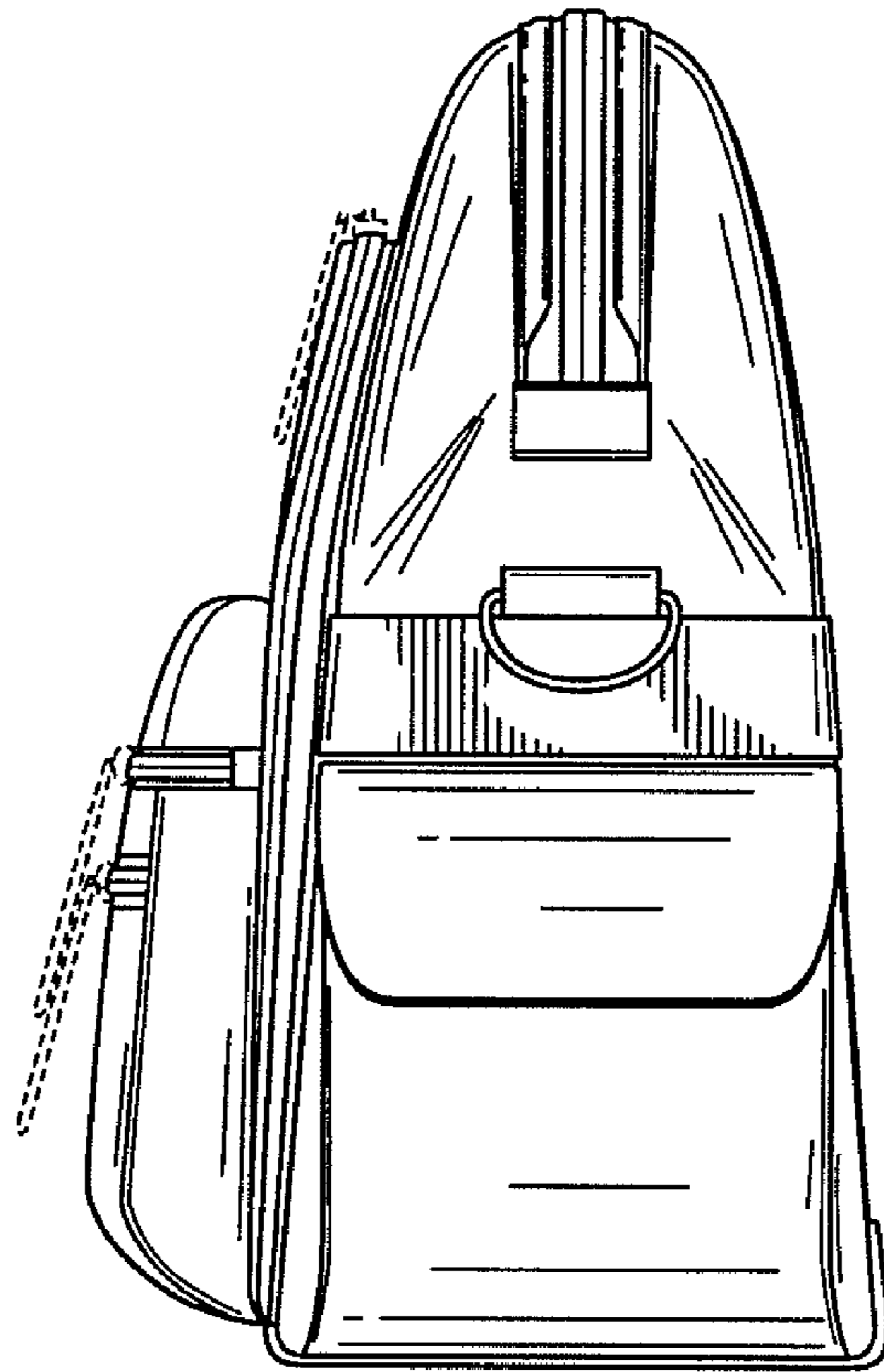


FIG. 3

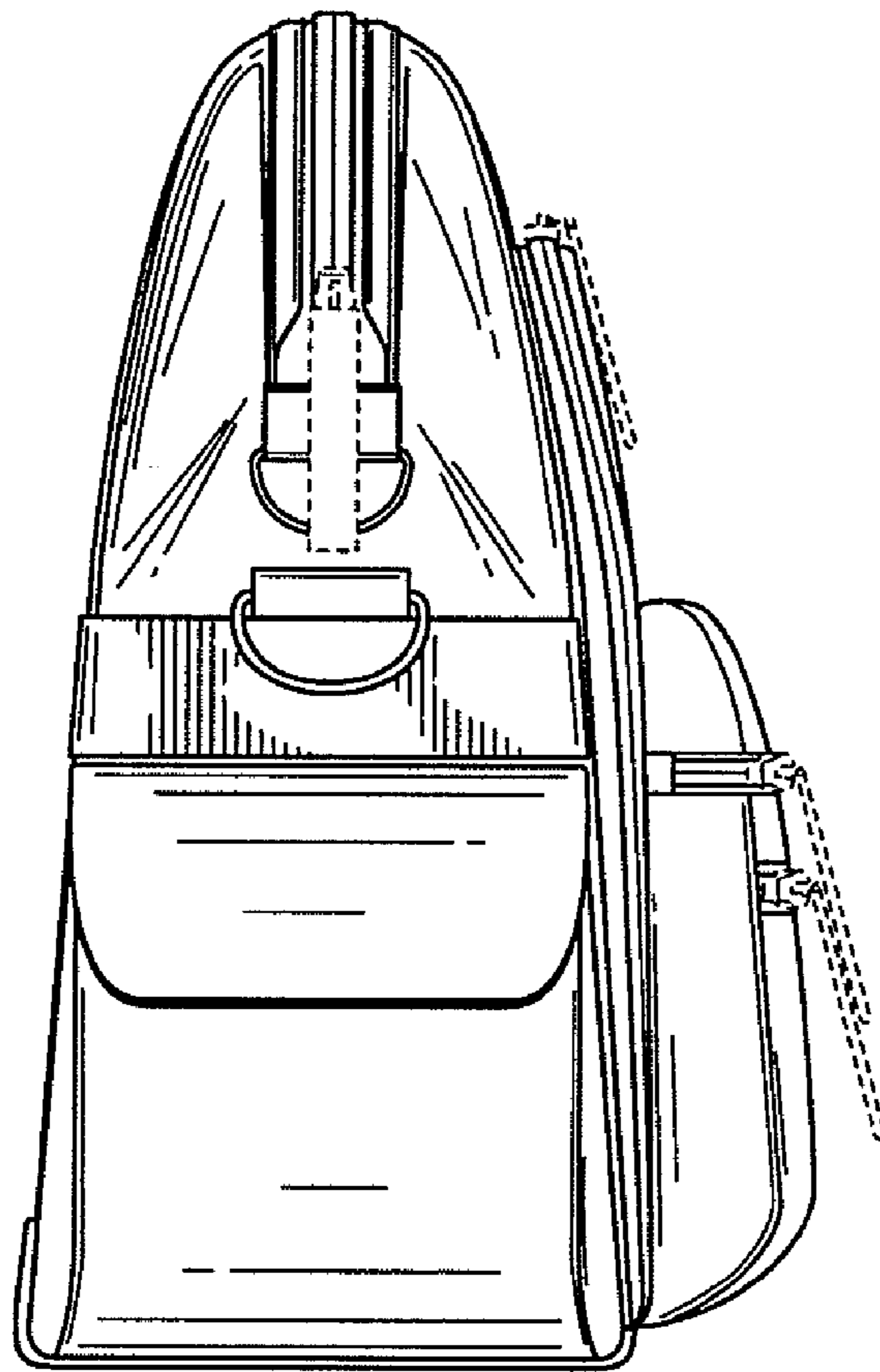


FIG. 4

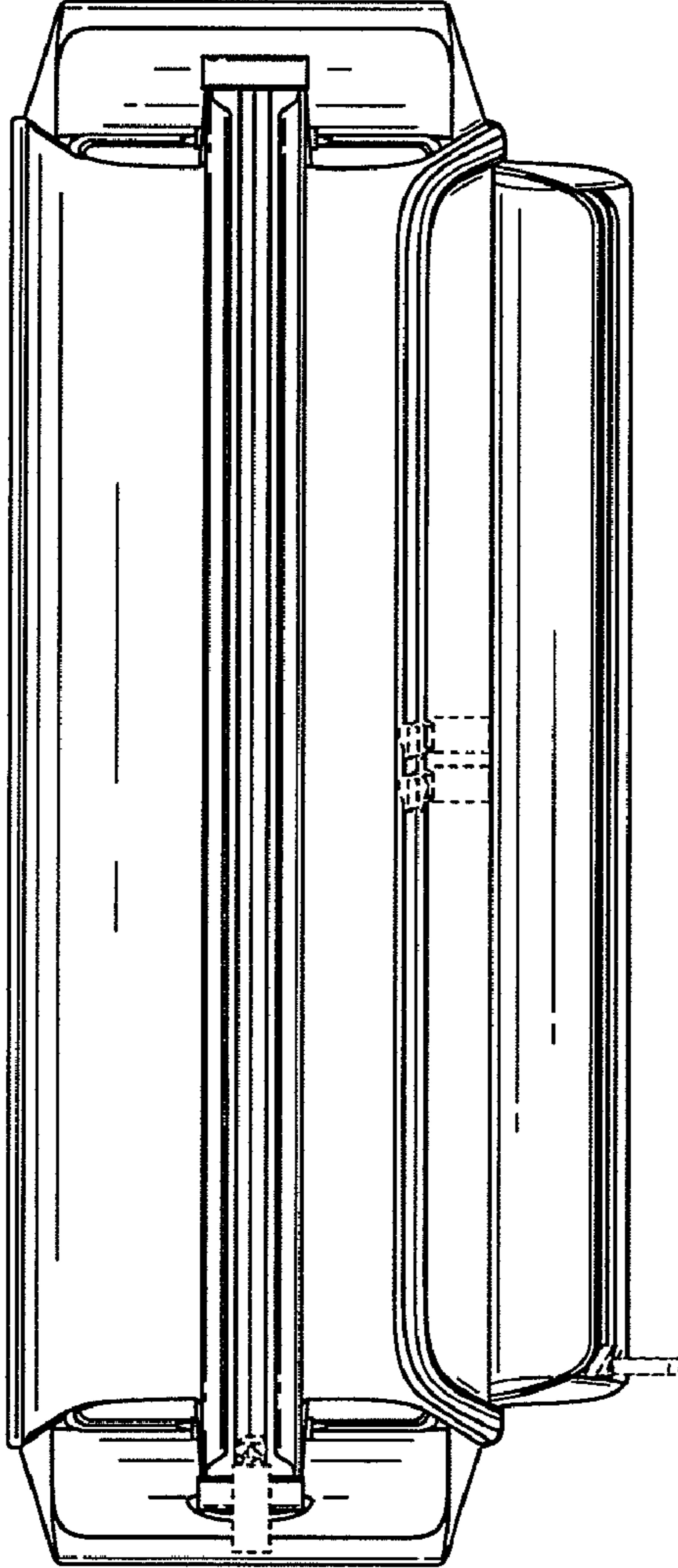


FIG. 5

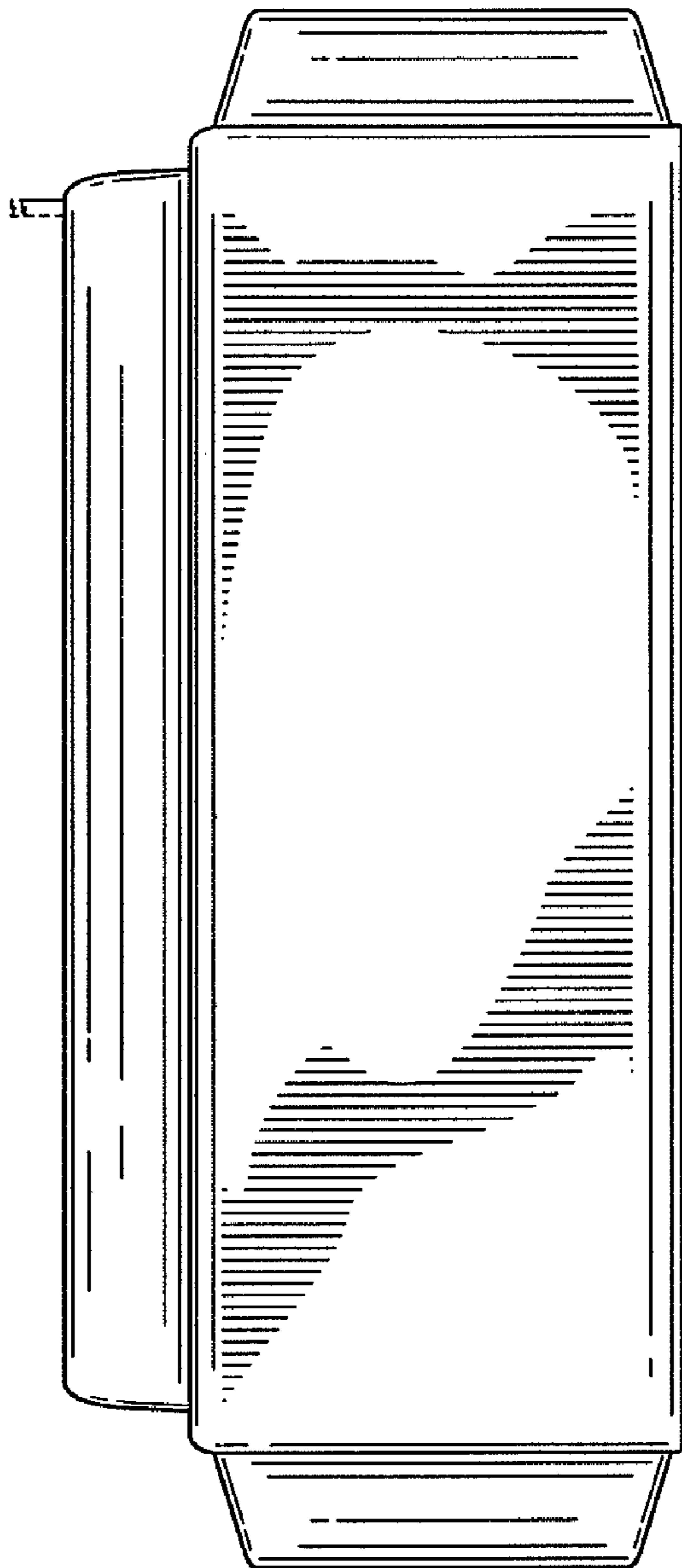


FIG. 6