



US00D610794S

(12) **United States Design Patent**
Chiu

(10) **Patent No.:** **US D610,794 S**
(45) **Date of Patent:** **** Mar. 2, 2010**

(54) **DIGITAL IMAGE DISPLAY ALBUM**

(76) **Inventor:** **Alan Chun Ming Chiu**, 3 Fung Sau
Road D.D. 252 Lot 287 Sai Kung,
Kowloon (HK)

(**) **Term:** **14 Years**

(21) **Appl. No.:** **29/301,799**

(22) **Filed:** **Mar. 18, 2008**

(51) **LOC (9) Cl.** **03-01**

(52) **U.S. Cl.** **D3/201; D14/341**

(58) **Field of Classification Search** D14/341-347,
D14/138, 454-456, 391, 218, 327, 338, 387,
D14/390, 399, 426, 429, 432, 439, 137, 247,
D14/496, 125, 126, 129, 318, 326, 248; D18/7;
D13/168; D21/517, 329, 330, 331; D10/65,
D10/104; D19/26; 455/556.1, 556.2, 566,
455/575.1; 361/680; 345/169; 379/433.04,
379/433.06, 433.07, 433.11, 433.12, 433.13;
348/14.02; D3/201

See application file for complete search history.

(56) **References Cited**

U.S. PATENT DOCUMENTS

D272,546 S * 2/1984 Holson D19/26
4,434,567 A * 3/1984 LeVeau 40/717
5,534,888 A * 7/1996 Leby et al. 345/672
5,663,748 A * 9/1997 Huffman et al. 345/173

5,893,132 A * 4/1999 Huffman et al. 715/201
D428,882 S * 8/2000 Musa D14/345
D445,408 S * 7/2001 Hwang D14/132
6,313,828 B1 * 11/2001 Chombo 345/169
D478,076 S * 8/2003 Hong D14/345
D511,162 S * 11/2005 Majumder D14/345
D517,545 S * 3/2006 Buckel et al. D14/345
7,289,084 B2 * 10/2007 Lesniak 345/1.1
D558,460 S * 1/2008 Yu et al. D6/308
D589,014 S * 3/2009 Zhan D14/132
2003/0090457 A1 * 5/2003 Hong 345/156

* cited by examiner

Primary Examiner—Cathron C Brooks

Assistant Examiner—Barbara Fox

(74) *Attorney, Agent, or Firm*—William W. Haefliger

(57) **CLAIM**

The ornamental design for a digital image display album,
substantially as shown and described.

DESCRIPTION

FIG. 1 is a perspective view of a digital image display album
apparatus of the invention; and,

FIG. 2 is a cross-sectional view taken along lines 2—2 of FIG.
1.

The broken lines shown in the drawings are for the purpose of
illustrating portions of the digital image display album and
form no part of the claimed design.

1 Claim, 1 Drawing Sheet

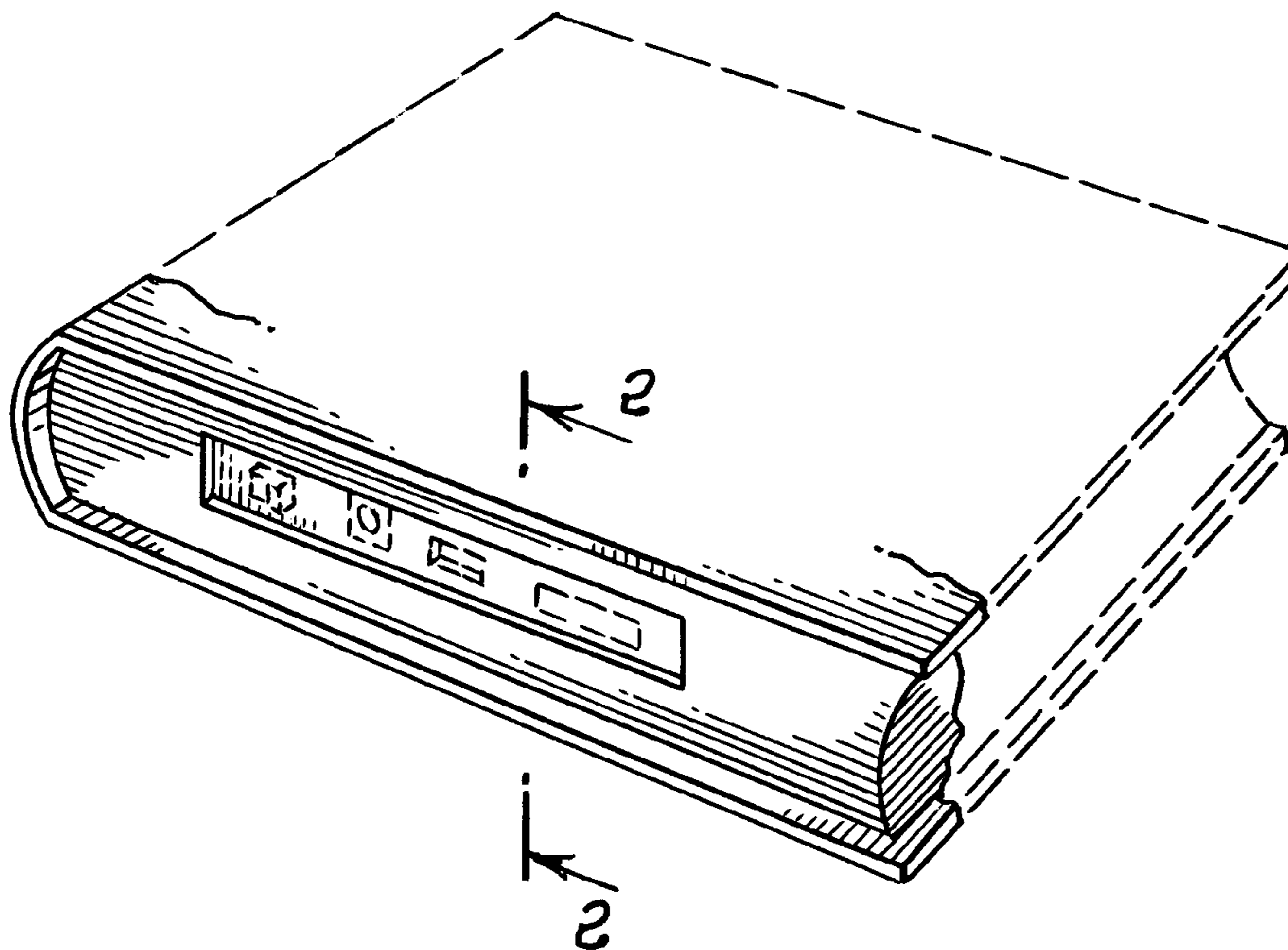


FIG. 1

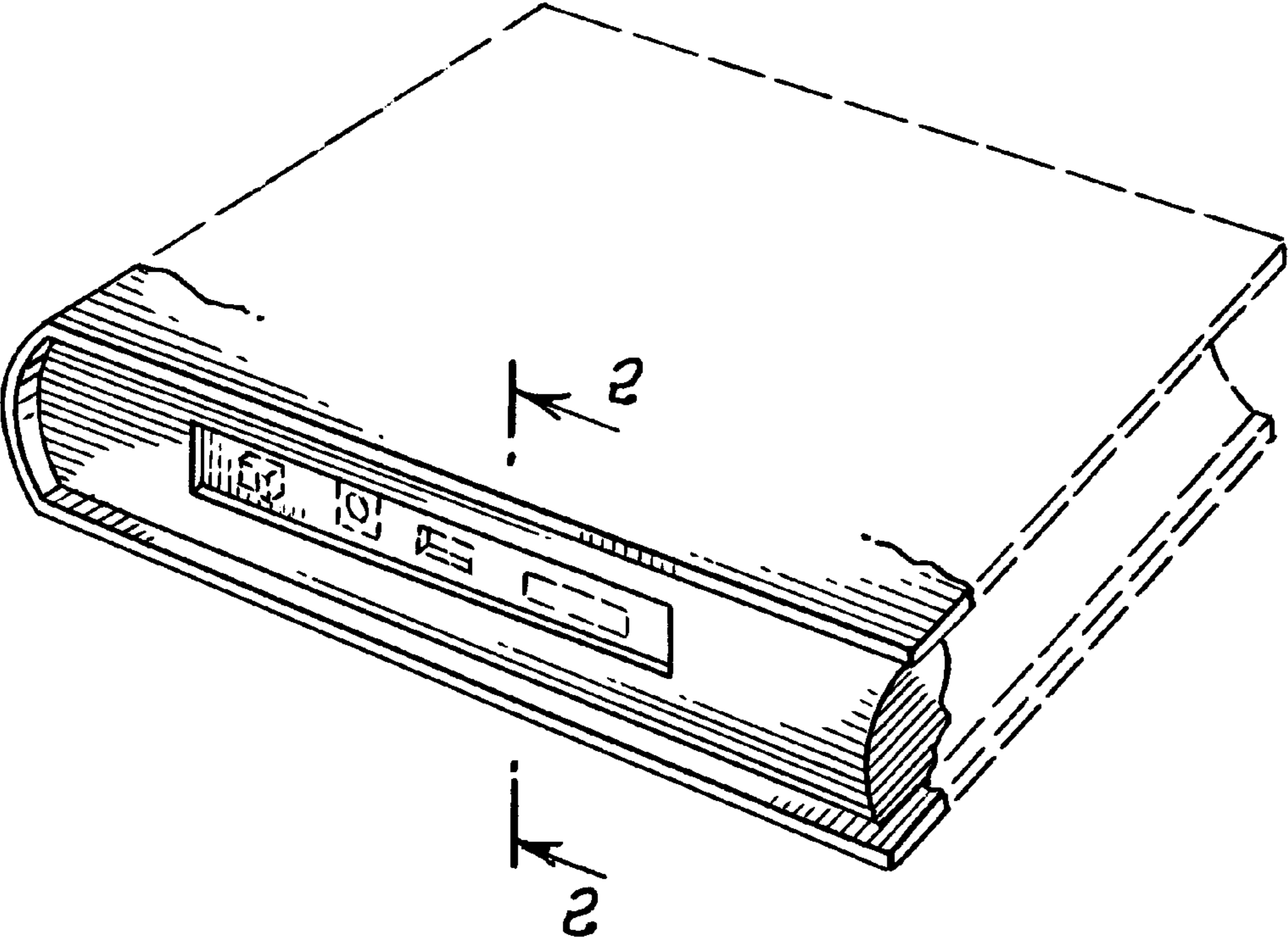


FIG. 2

