



US00D610792S

(12) **United States Design Patent**
Ozuna et al.

(10) **Patent No.:** **US D610,792 S**
(45) **Date of Patent:** **** Mar. 2, 2010**

(54) **WALKING SUPPORT BASE ASSEMBLY**

(75) Inventors: **Mario Ozuna**, 265 W. 1060 North,
American Fork, UT (US) 84003; **Adam**
Ozuna, Pleasant Grove, UT (US)

(73) Assignee: **Mario Ozuna**

(**) Term: **14 Years**

(21) Appl. No.: **29/334,706**

(22) Filed: **Mar. 31, 2009**

(51) **LOC (9) Cl.** **03-01**

(52) **U.S. Cl.** **D3/17; D12/133**

(58) **Field of Classification Search** D12/128-133;
D21/422; 280/62, 647-650, 29, 200, 47.38,
280/250.1, 259, 642, 658; 297/DIG. 4; 296/65.03,
296/65.04; 224/409; D3/5, 7, 10, 11, 17;
D6/500; D8/354

See application file for complete search history.

(56) **References Cited**

U.S. PATENT DOCUMENTS

5,217,419 A * 6/1993 Harwood 482/66
5,224,506 A * 7/1993 Allen et al. 135/67

5,331,989 A * 7/1994 Stephens 135/65
D412,615 S * 8/1999 Brightbill et al. D3/17
5,996,602 A * 12/1999 Cato, III 135/75
D426,495 S * 6/2000 Vaccaro D12/133
D511,889 S * 11/2005 Cockrell D3/17

* cited by examiner

Primary Examiner—Charles A Rademaker

Assistant Examiner—Charles D Hanson

(57) **CLAIM**

The ornamental design for the walking support base assembly, as shown and described.

DESCRIPTION

FIG. 1 is a perspective view of a walking support base assembly showing my new design;

FIG. 2: is a right side view thereof;

FIG. 3: is a left side thereof;

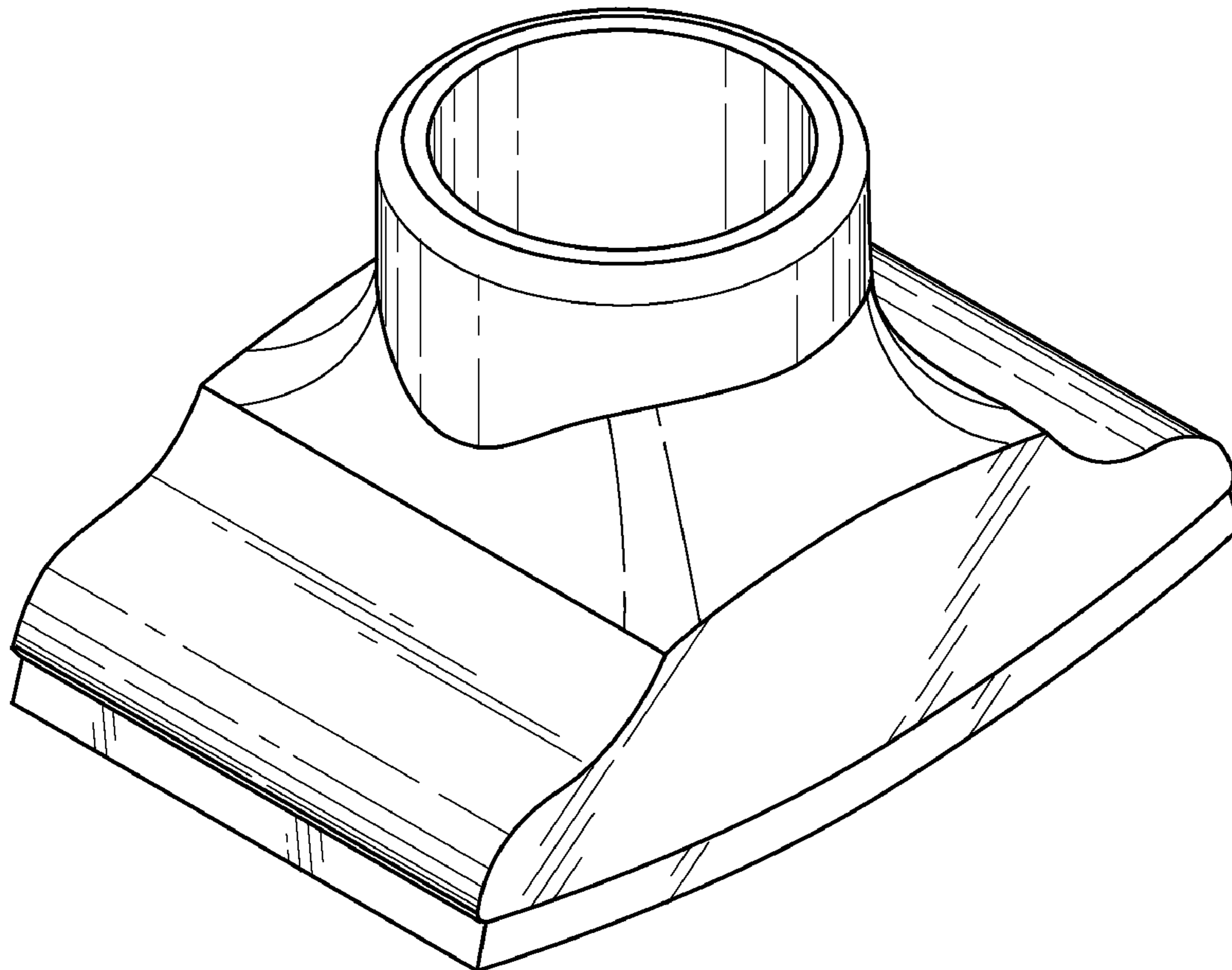
FIG. 4: is a top view thereof;

FIG. 5: is a bottom view thereof;

FIG. 6: is a front view thereof; and,

FIG. 7: is a back view thereof.

1 Claim, 5 Drawing Sheets



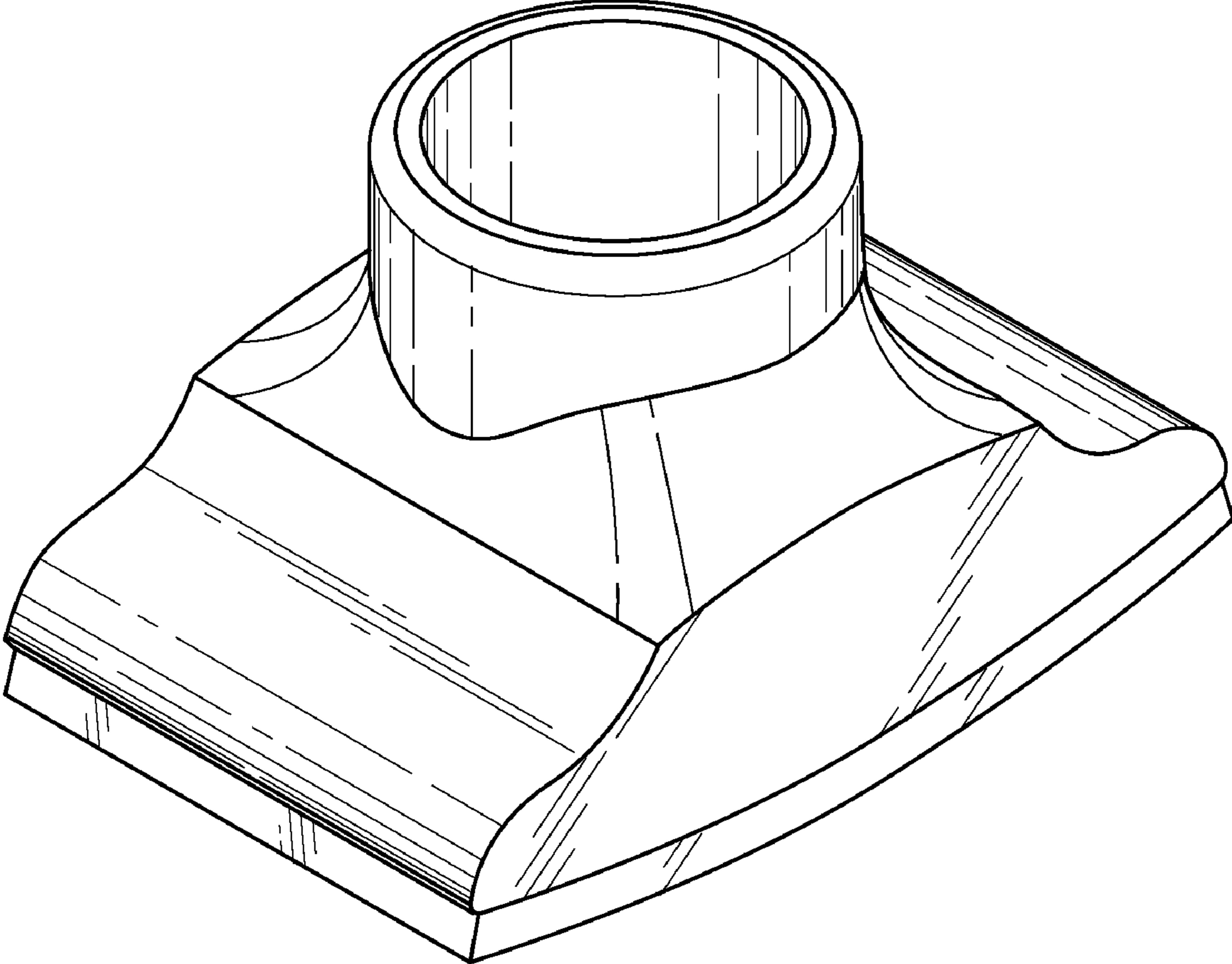


Fig. 1

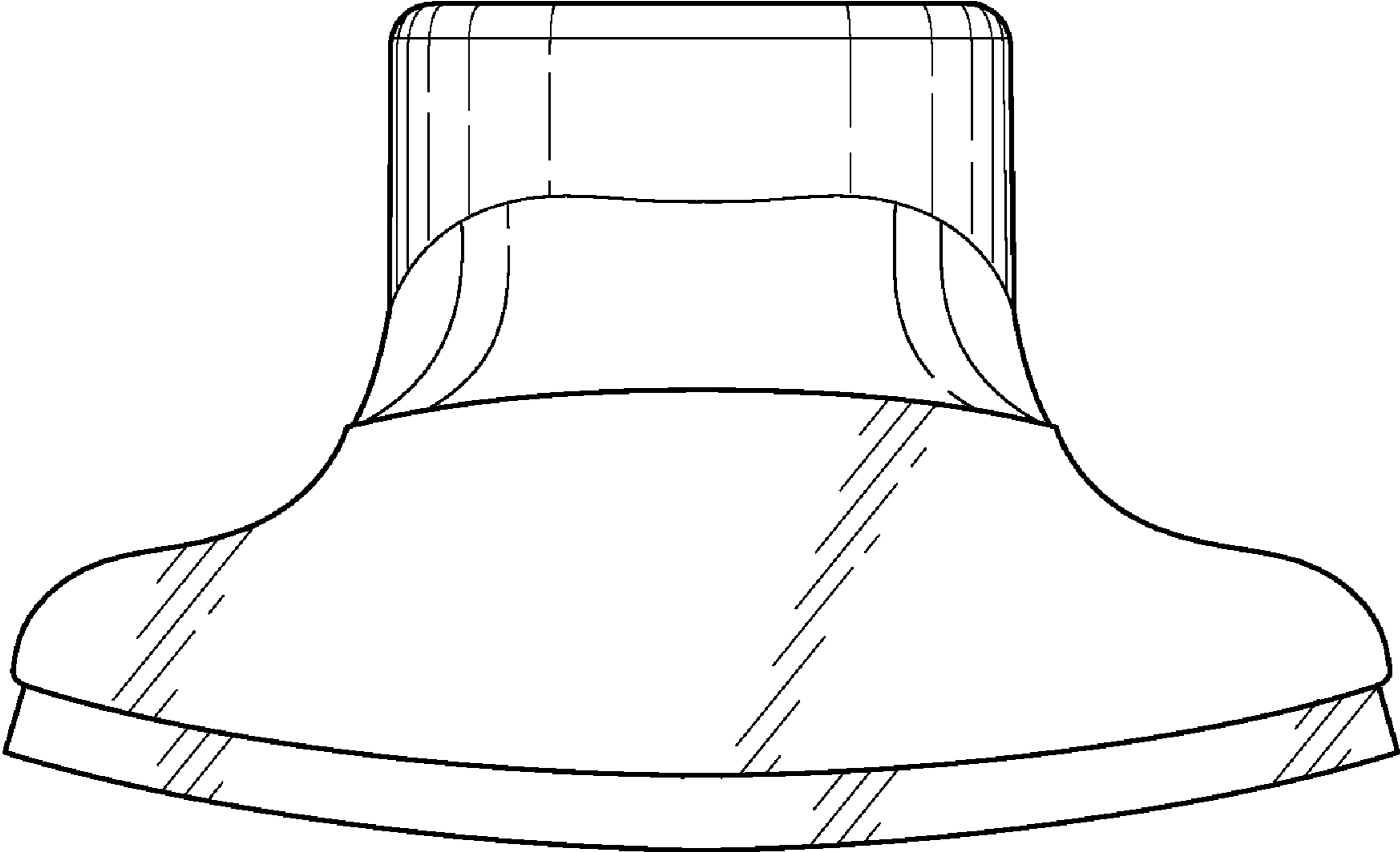


Fig. 2

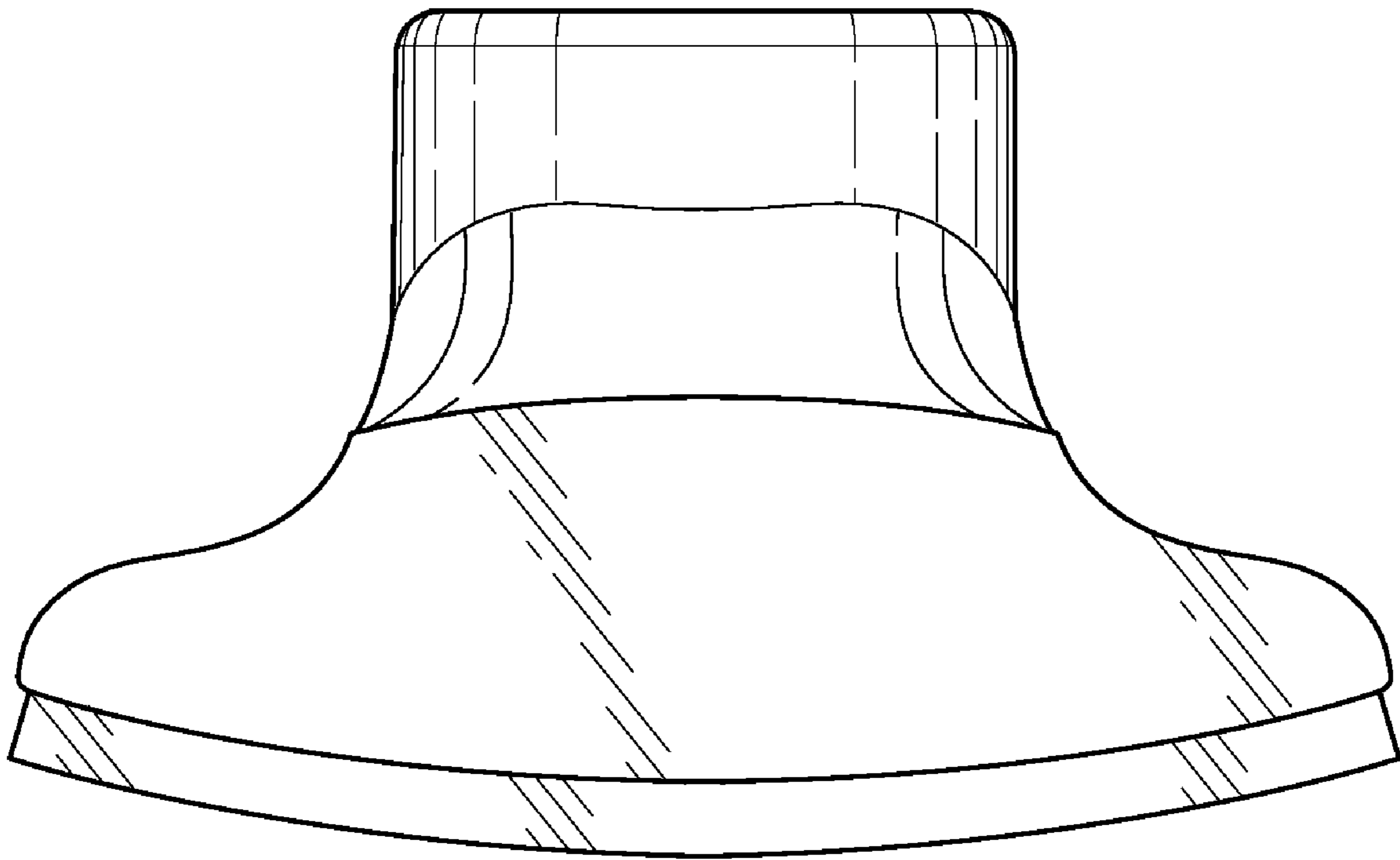


Fig. 3

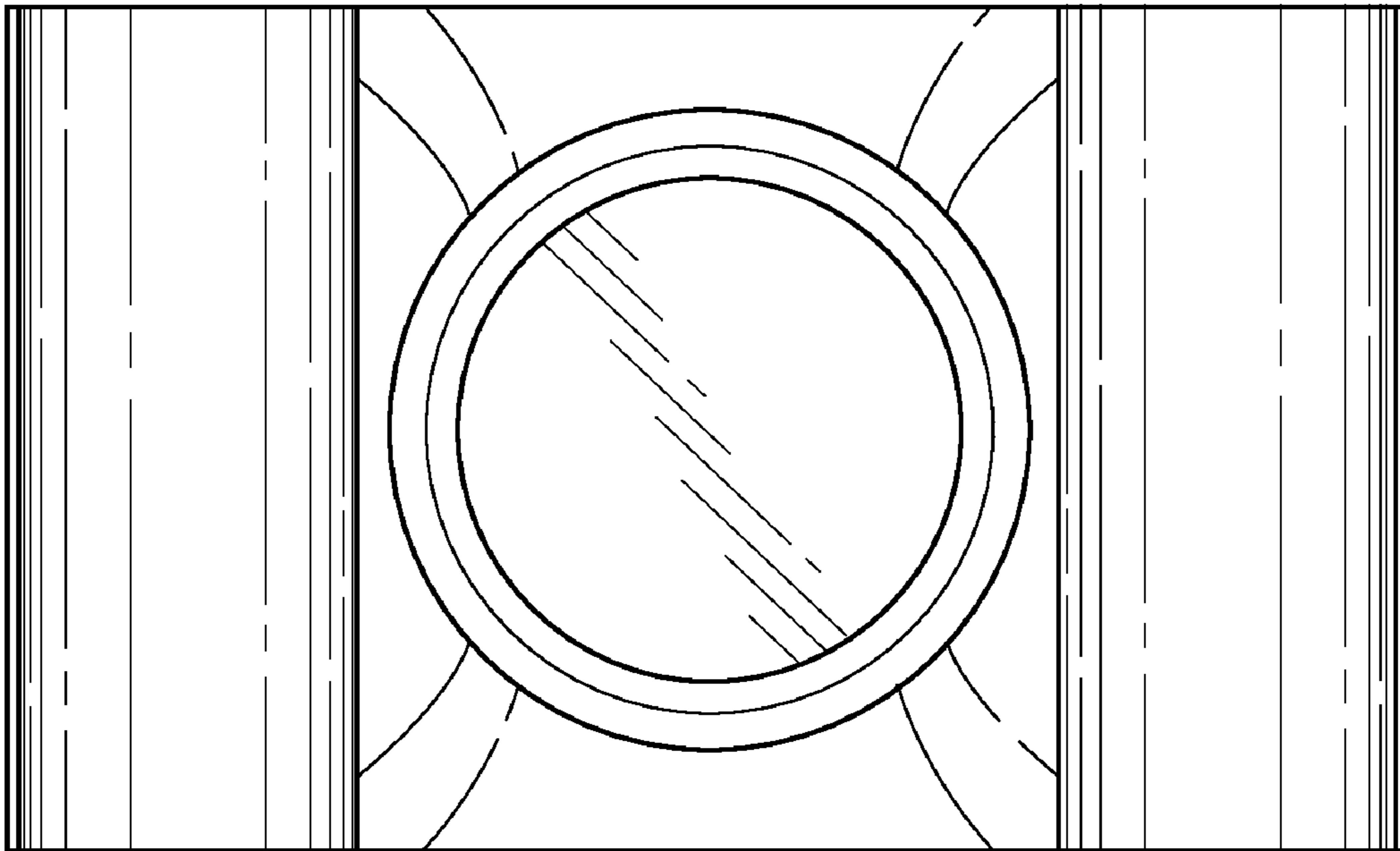


Fig. 4

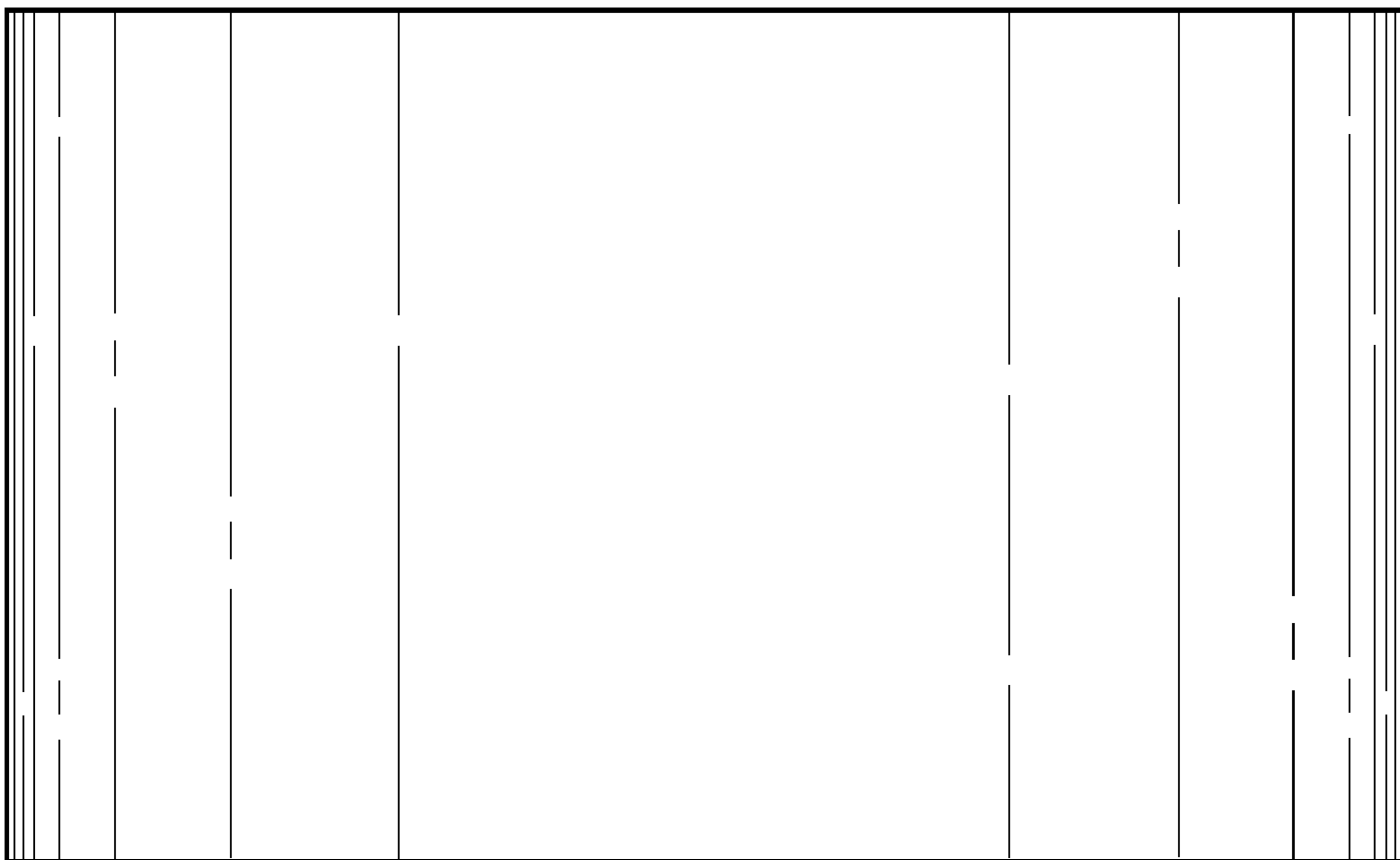


Fig. 5

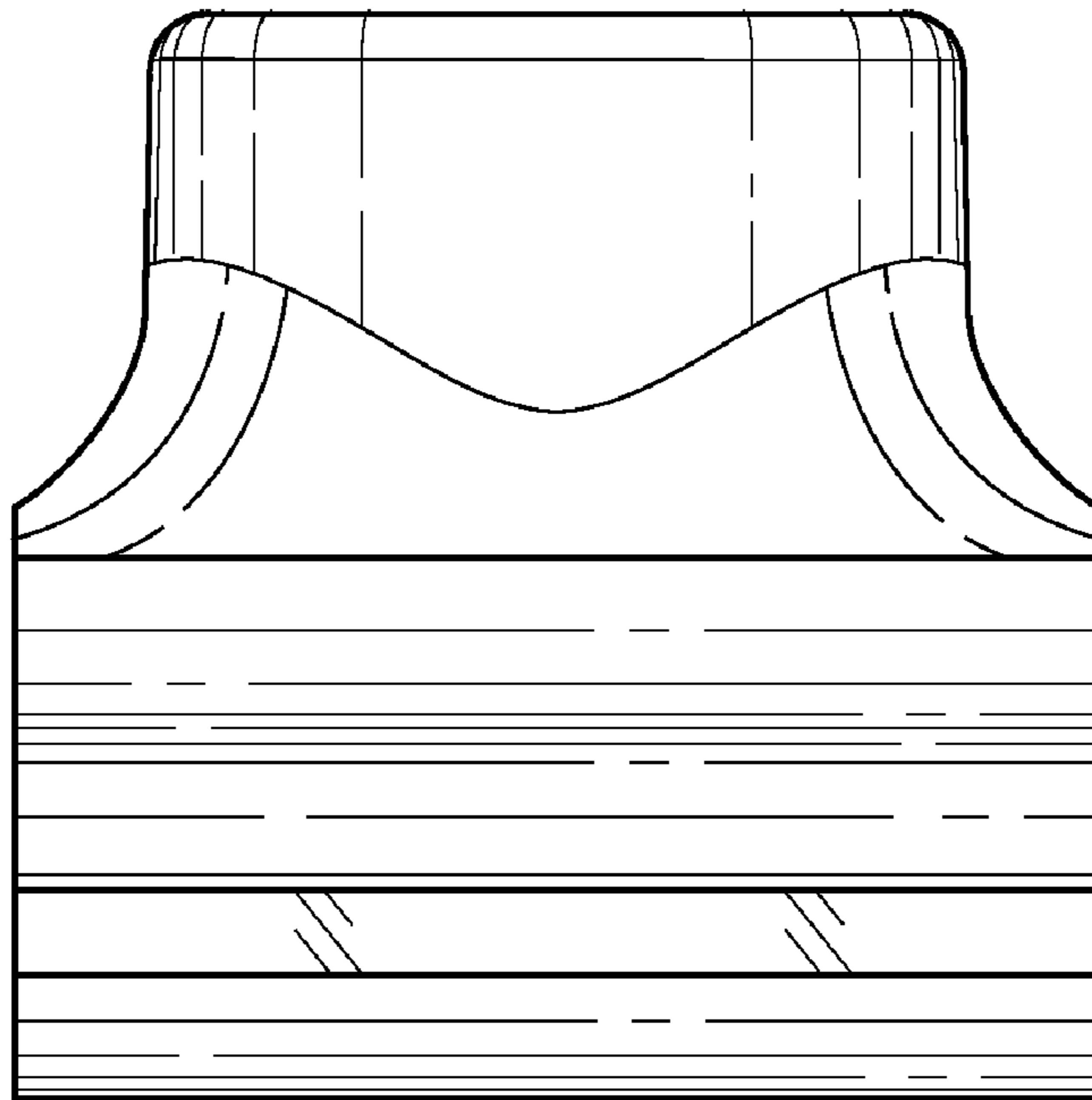


Fig. 6

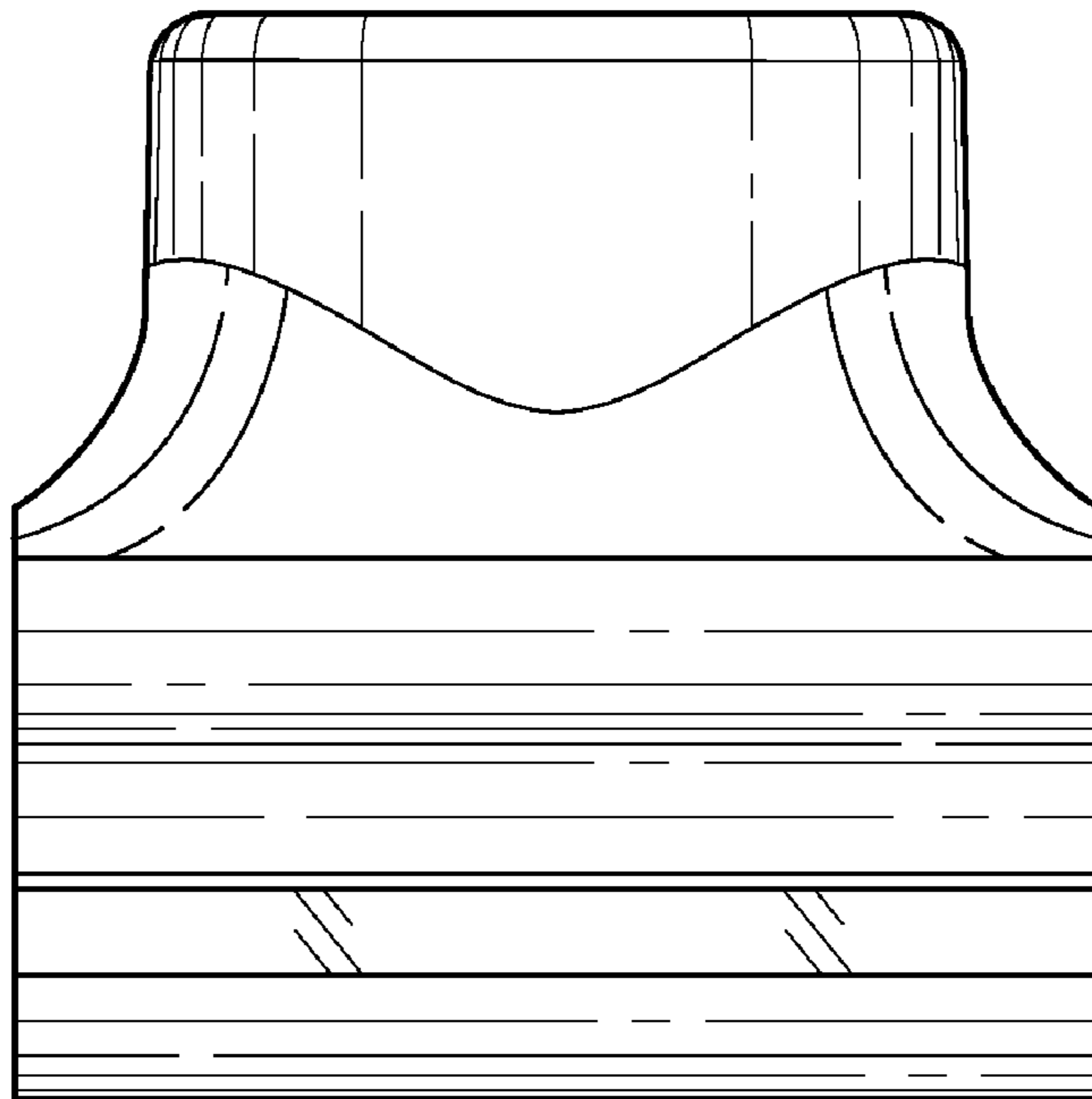


Fig. 7