



US00D610781S

(12) **United States Design Patent**
Cho

(10) **Patent No.:** **US D610,781 S**
(45) **Date of Patent:** **** Mar. 2, 2010**

- (54) **CAP**
- (75) Inventor: **Byoung Woo Cho**, Seoul (KR)
- (73) Assignee: **Yupoong Inc.** (KR)
- (**) Term: **14 Years**
- (21) Appl. No.: **29/338,300**
- (22) Filed: **Jun. 9, 2009**
- (51) **LOC (9) Cl.** **02-03**
- (52) **U.S. Cl.** **D2/879**
- (58) **Field of Classification Search** D2/865,
D2/866, 869, 870, 871, 872, 873, 874, 875,
D2/876, 877, 878, 879, 880, 881, 882, 883,
D2/884, 886, 888, 891, 893, 895; D29/102,
D29/103, 104, 105, 106; 2/171, 171.1, 172,
2/183, 184, 209.11, 209.12, 209.13, 175.1,
2/175.2, 175.5, 195.1, 195.2, 195.3, 195.4,
2/418
See application file for complete search history.

- (56) **References Cited**
U.S. PATENT DOCUMENTS
- | | | | | | |
|-----------|-----|---------|------------------|-------|---------|
| 1,639,468 | A * | 8/1927 | Rosenberg et al. | | 2/172 |
| 2,339,080 | A * | 1/1944 | Karabin | | 2/410 |
| 3,042,927 | A * | 7/1962 | Mauro et al. | | 2/418 |
| 3,315,273 | A * | 4/1967 | Bullard | | 2/418 |
| D230,103 | S * | 1/1974 | Hyatt, Jr. | | D29/105 |
| D237,844 | S * | 12/1975 | Stock | | D2/870 |
| D239,587 | S * | 4/1976 | Dickstein | | D7/564 |
| 4,486,903 | A * | 12/1984 | Krystal | | 2/172 |
| D396,136 | S * | 7/1998 | Stein | | D2/872 |

- | | | | | | |
|--------------|------|---------|----------------|-------|---------|
| D396,546 | S * | 8/1998 | Marrs | | D2/881 |
| D397,239 | S * | 8/1998 | Marrs | | D2/882 |
| D399,338 | S * | 10/1998 | Lund | | D2/879 |
| 6,094,749 | A * | 8/2000 | Proctor | | 2/195.2 |
| D456,118 | S * | 4/2002 | Hill | | D2/866 |
| D479,019 | S * | 8/2003 | Lishen | | D29/102 |
| D569,583 | S * | 5/2008 | Robinson | | D2/882 |
| D586,087 | S * | 2/2009 | Henf | | D2/879 |
| D589,236 | S * | 3/2009 | Henf | | D2/879 |
| D589,237 | S * | 3/2009 | Jaggers et al. | | D2/880 |
| 2007/0130670 | A1 * | 6/2007 | Henf | | 2/195.1 |

* cited by examiner
Primary Examiner—Elizabeth A Albert
Assistant Examiner—Karen E Eldridge Powers
 (74) *Attorney, Agent, or Firm*—Greenberg Traurig LLC

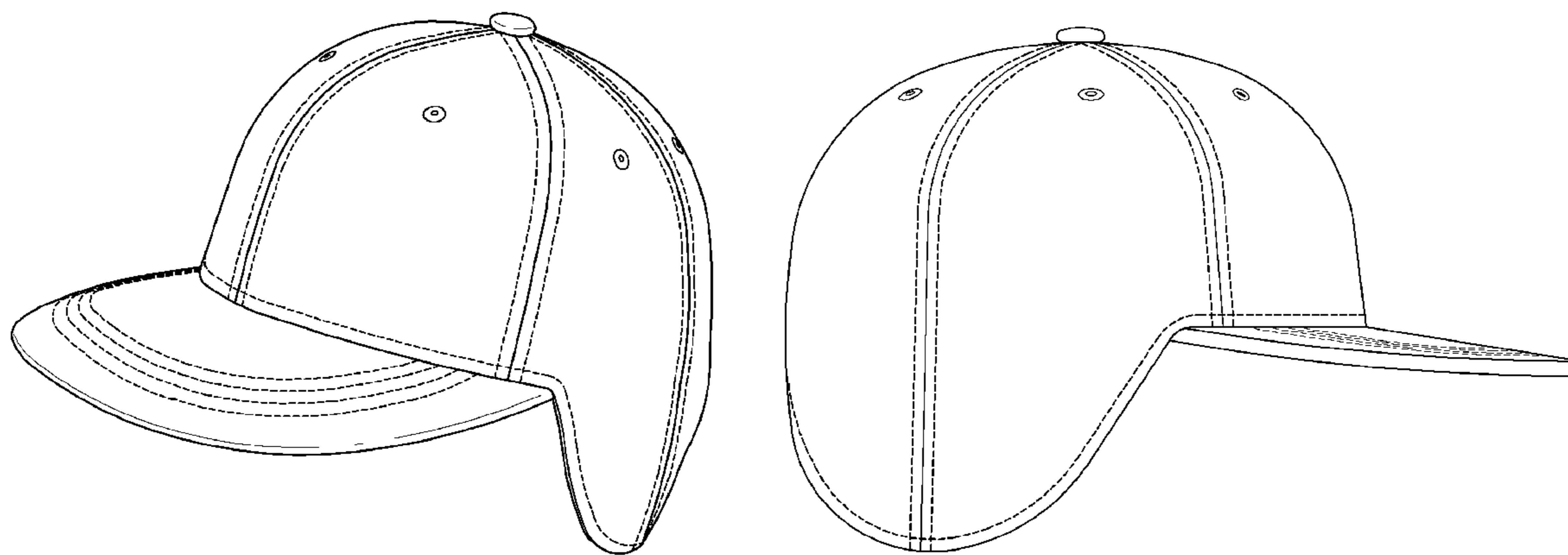
(57) **CLAIM**

The ornamental design for a cap, as shown and described.

DESCRIPTION

FIG. 1 is a perspective view of the cap, illustrating an embodiment of the present design;
 FIG. 2 is a front elevation view of the cap illustrated in FIG. 1;
 FIG. 3 is a rear elevation view of the cap illustrated in FIG. 1;
 FIG. 4 is a left elevation view of the cap illustrated in FIG. 1;
 FIG. 5 is a top plan view of the cap illustrated in FIG. 1; and,
 FIG. 6 is a bottom plan view of the cap illustrated in FIG. 1.
 The broken lines in the figures represent sewn stitches and are part of the claimed design.

1 Claim, 6 Drawing Sheets



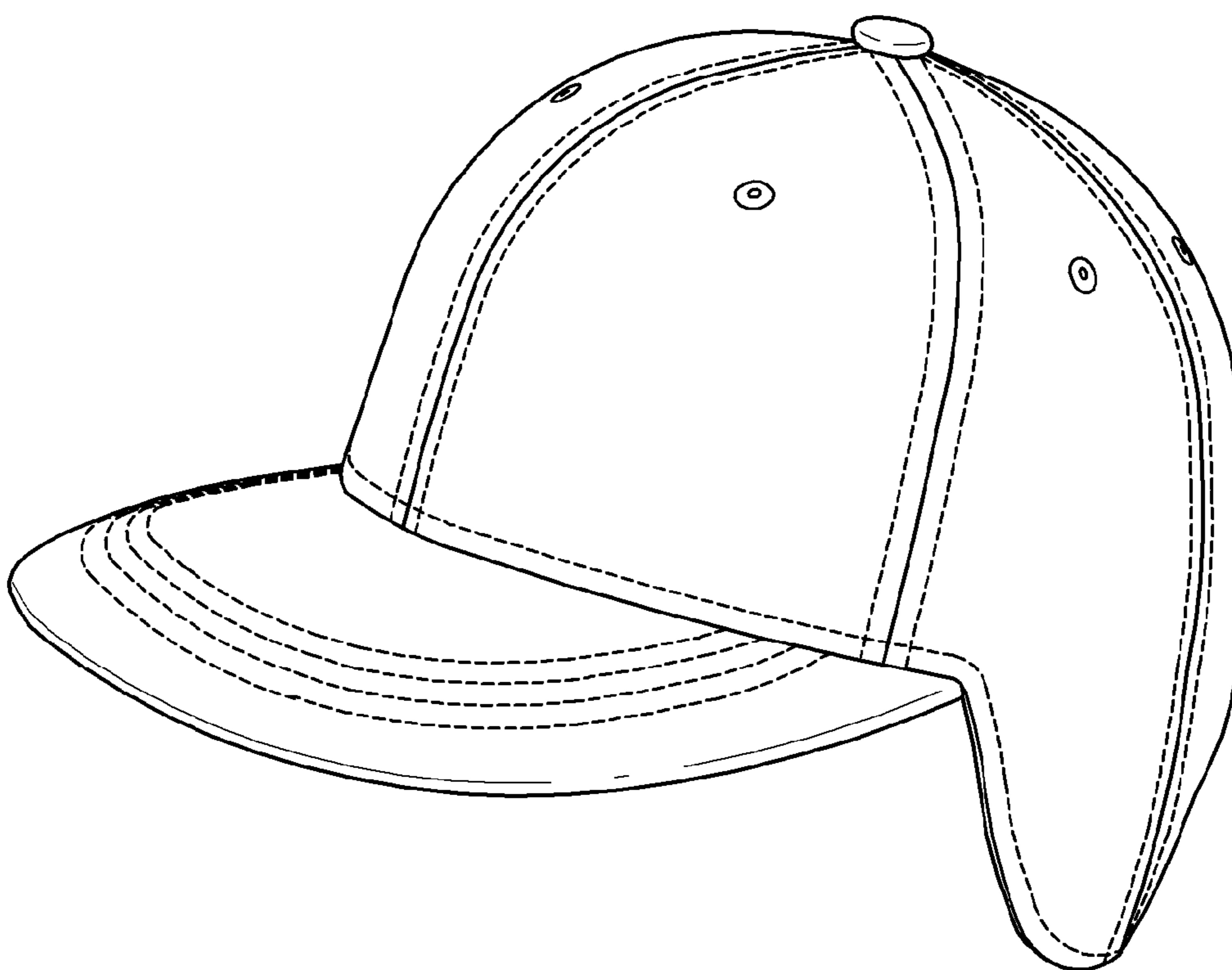


FIG. 1

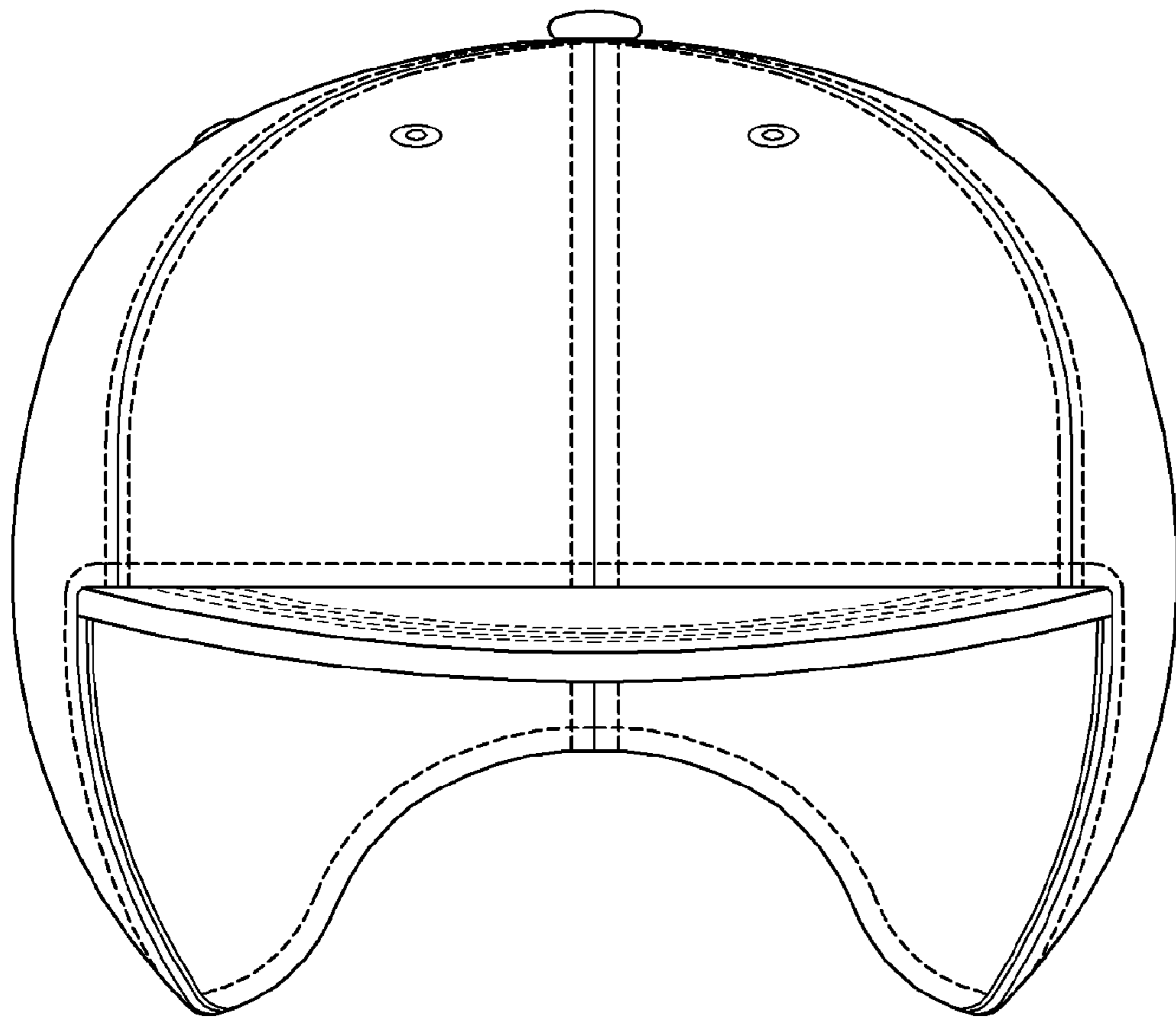


FIG. 2

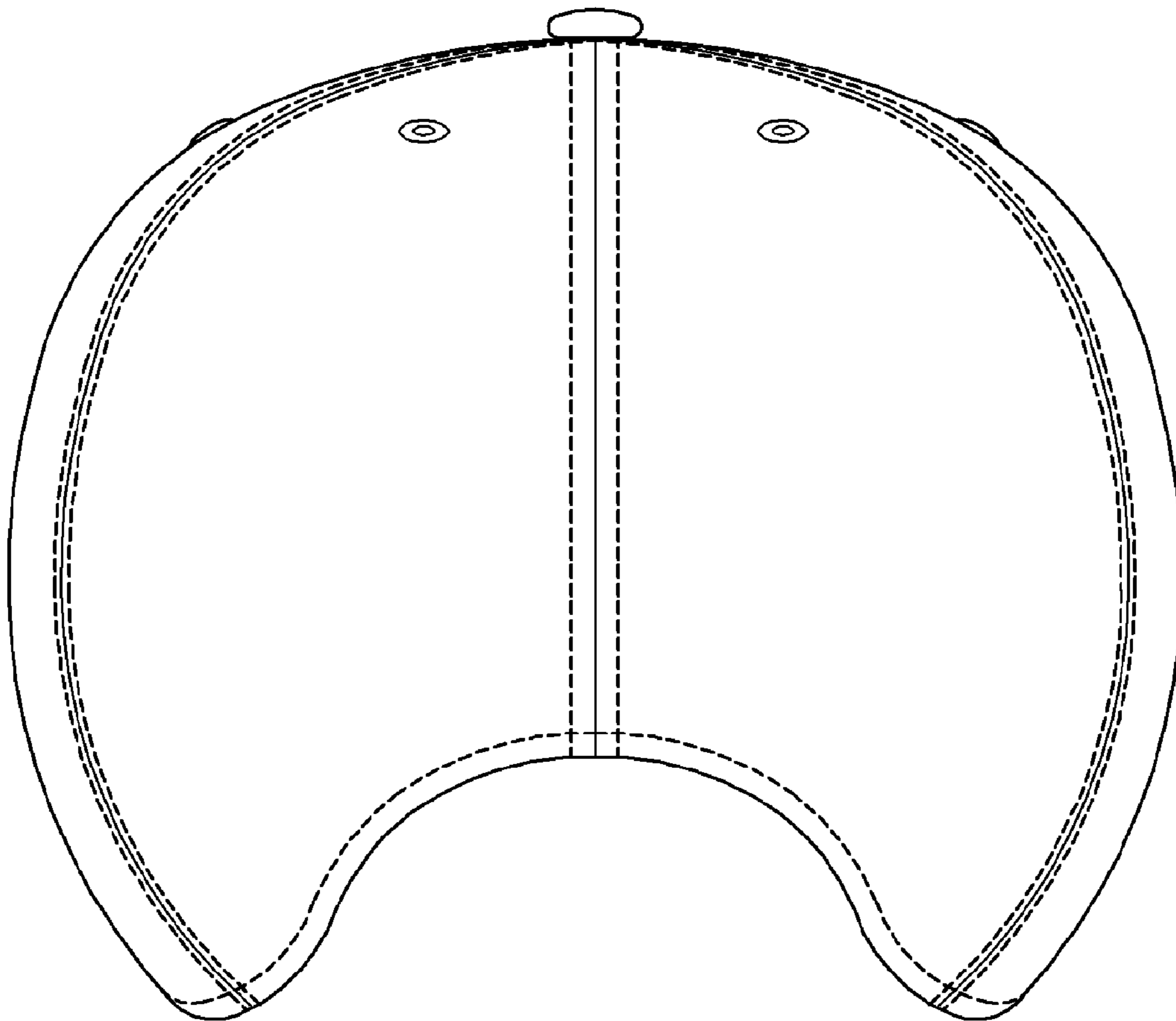


FIG. 3

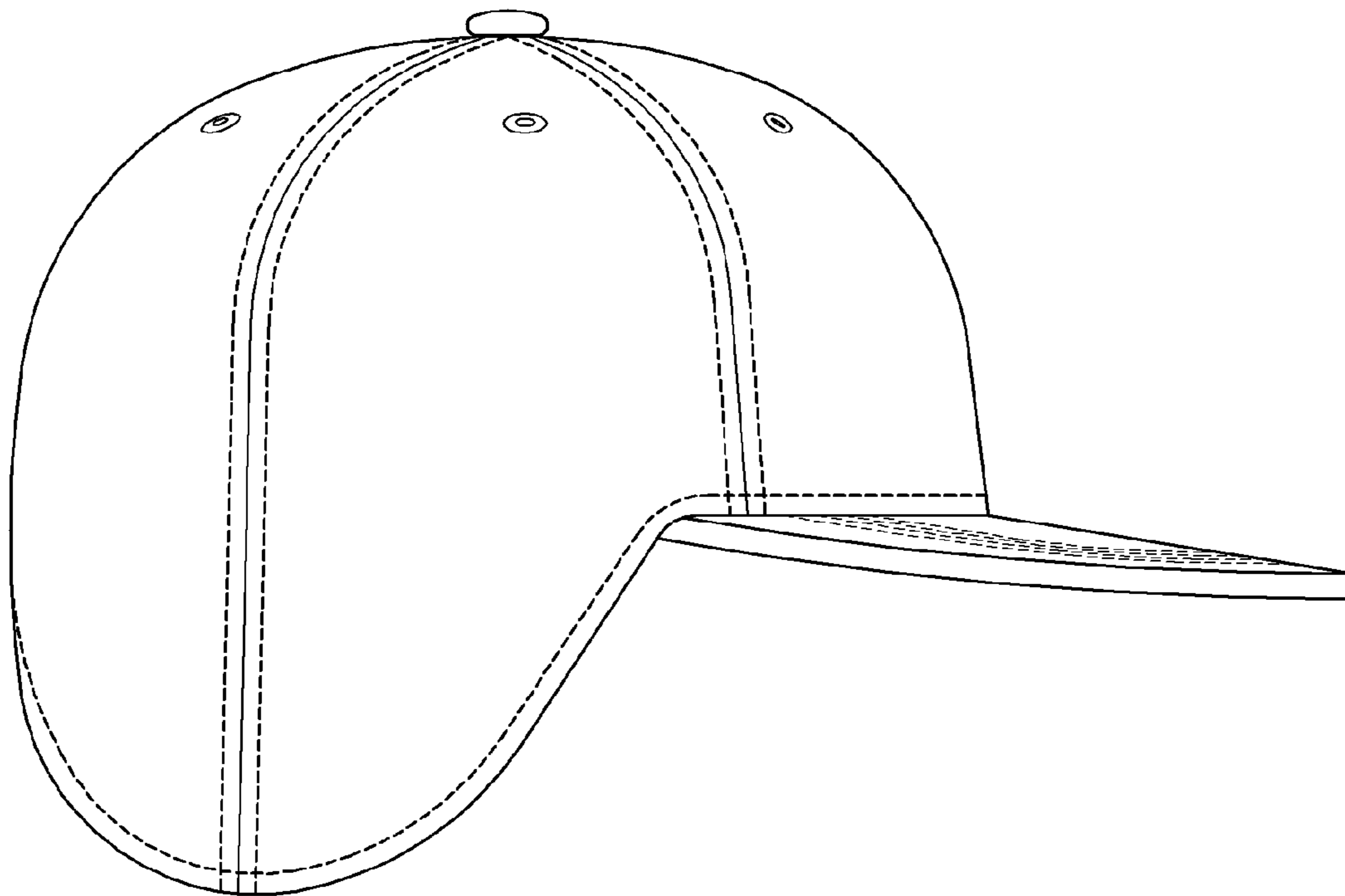


FIG. 4

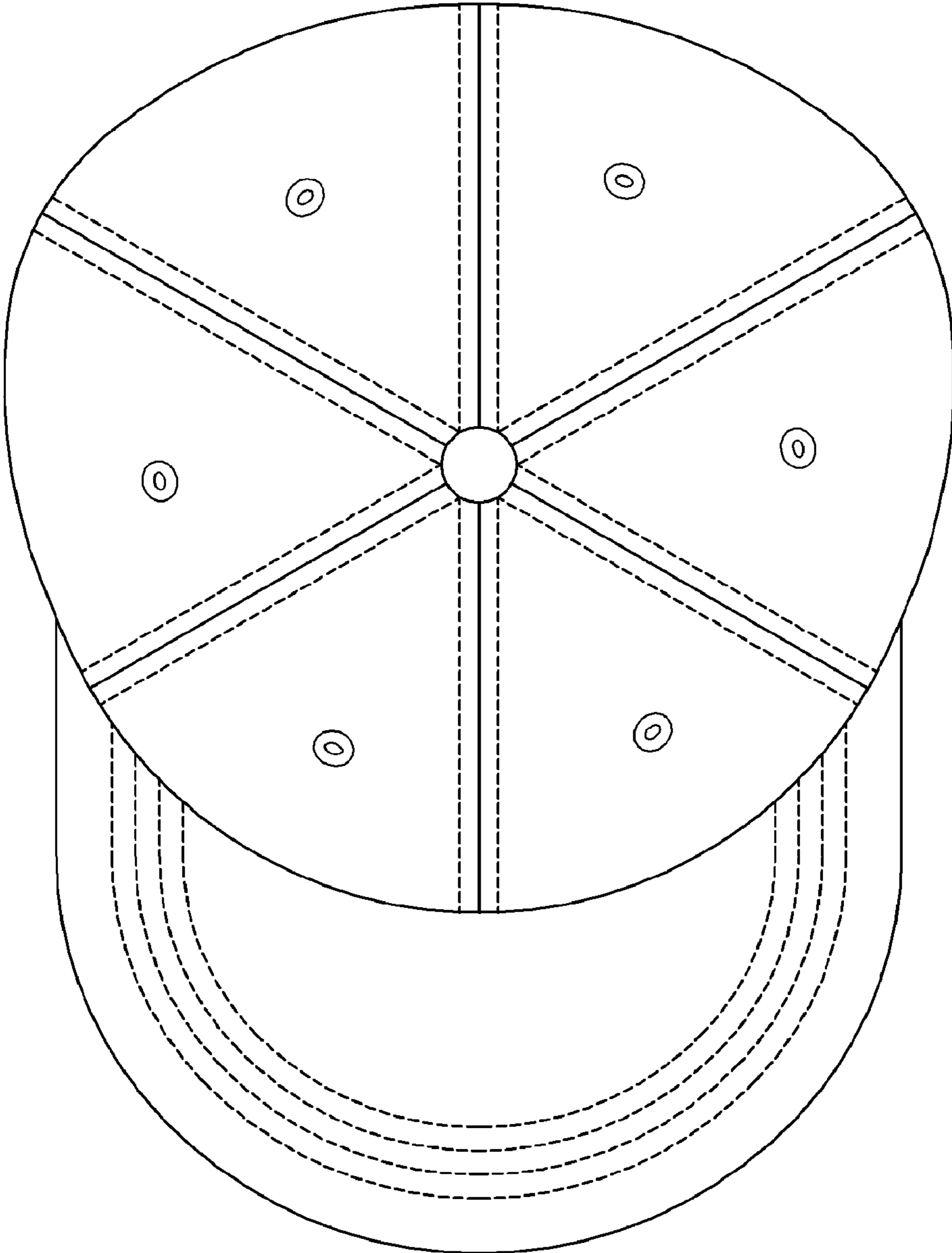


FIG. 5

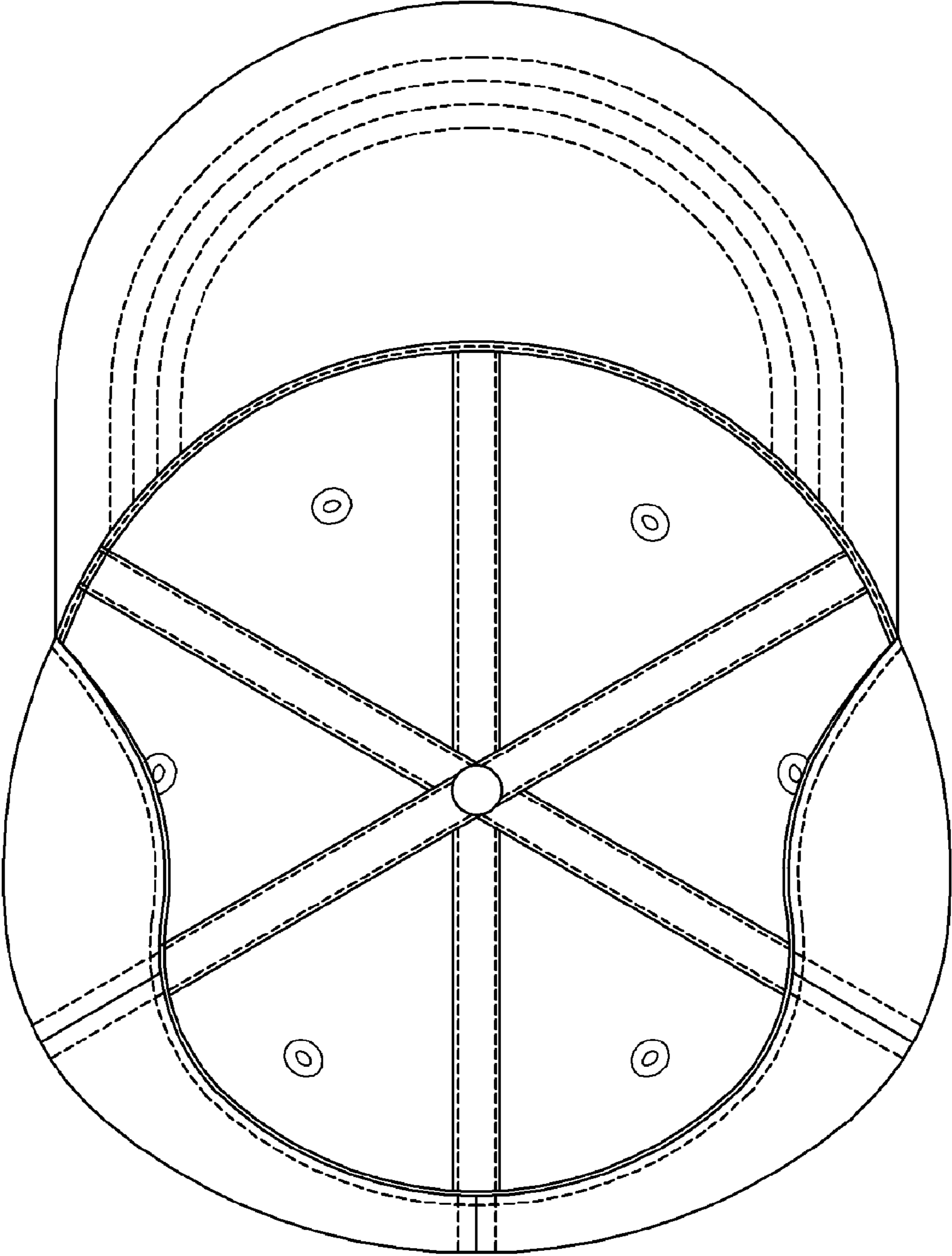


FIG. 6