



US00D610779S

(12) **United States Design Patent**
Rhodes

(10) **Patent No.:** **US D610,779 S**
(45) **Date of Patent:** **** Mar. 2, 2010**

(54) **DOCTOR SCRUB CAP WITH INTEGRATED LEFT SIDE POUCH**

(76) Inventor: **Steve Rhodes**, 926 2nd St. South,
Jacksonville Beach, FL (US) 32250

(**) Term: **14 Years**

(21) Appl. No.: **29/339,515**

(22) Filed: **Jul. 1, 2009**

(51) **LOC (9) Cl.** **02-03**

(52) **U.S. Cl.** **D2/867**

(58) **Field of Classification Search** D2/865,
D2/866, 867, 878, 880, 881, 882, 884, 885,
D2/890; 2/68, 171, 171.04, 171.4, 171.5,
2/171.6, 181.2, 202, 204, 205, 207, 209.11
See application file for complete search history.

(56) **References Cited**

U.S. PATENT DOCUMENTS

1,798,024	A *	3/1931	Mcbride	2/68
D125,155	S *	2/1941	Marks	D2/881
2,398,246	A *	4/1946	Rasmussen	2/68
D160,404	S *	10/1950	Levine	D2/866
3,321,774	A *	5/1967	Tames	2/181
3,512,181	A *	5/1970	Osborne	2/181.2
D269,562	S *	7/1983	Glassman	D2/880
D276,666	S *	12/1984	Bryant	D2/884
D350,847	S *	9/1994	Thomas	D2/882
D359,384	S *	6/1995	Dlugokeski	D2/880
5,539,929	A *	7/1996	Revson	2/195.1
D380,887	S *	7/1997	Durodola	D2/874
D386,888	S *	12/1997	Grant	D2/865
D401,738	S *	12/1998	Scerbo	D2/882

D405,239	S *	2/1999	Kostinko	D2/882
D414,593	S *	10/1999	Knapp	D2/882
D429,869	S *	8/2000	Trudeau et al.	D2/866
D440,380	S *	4/2001	Orr et al.	D2/866
6,230,331	B1 *	5/2001	Aguilar et al.	2/209.11
D501,291	S *	2/2005	Hall	D2/885
D517,284	S *	3/2006	Black	D2/867
D526,471	S *	8/2006	Cashin	D2/866
2006/0272073	A1 *	12/2006	Marquardt	2/171

OTHER PUBLICATIONS

Doctor's Scrub cap (in the center) as pictured on www.rhoderags.com, originally viewed on Aug. 14, 2008 (2 pages).*

* cited by examiner

Primary Examiner—Elizabeth A Albert
Assistant Examiner—Karen E Eldridge Powers
(74) *Attorney, Agent, or Firm*—Kyle Fletcher

(57) **CLAIM**

The ornamental design for doctor scrub cap with integrated left side pouch, as shown and described.

DESCRIPTION

FIG. 1 is a left side view of the doctor scrub cap with integrated left side pouch.

FIG. 2 is a right side view of the claimed design.

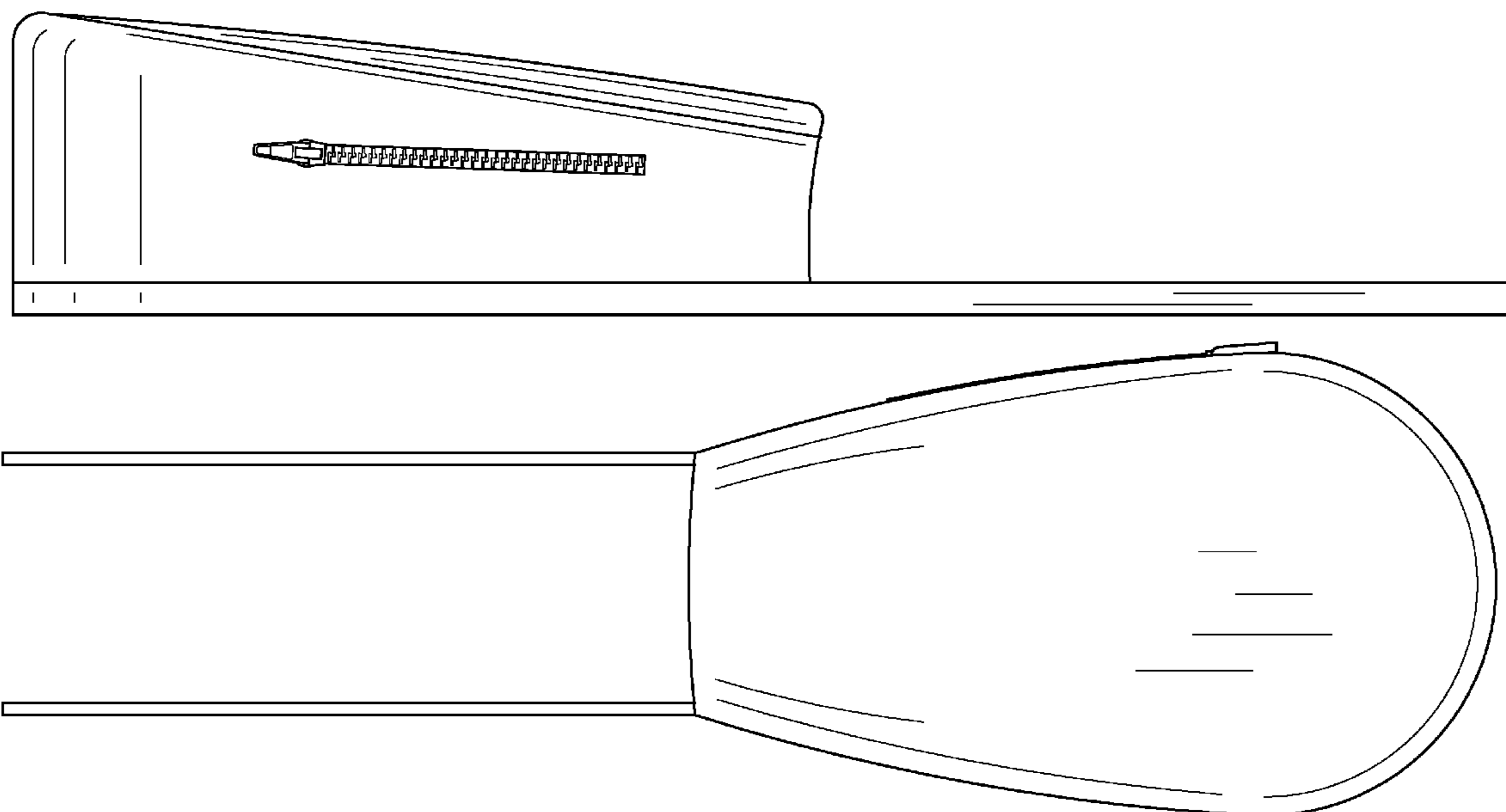
FIG. 3 is a rear view of the claimed design.

FIG. 4 is a front view of the claimed design.

FIG. 5 is a top view of the claimed design; and,

FIG. 6 is a bottom view of the claimed design.

1 Claim, 3 Drawing Sheets



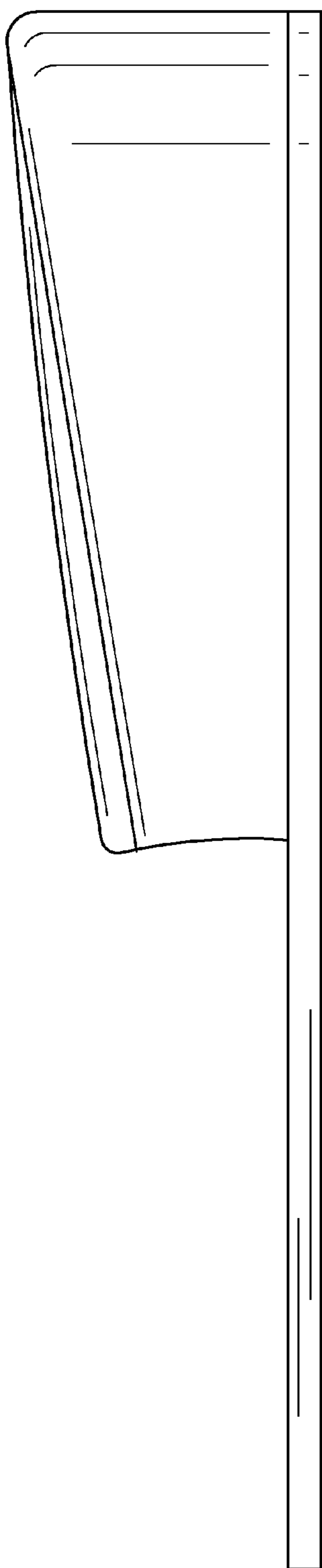


FIG. 1

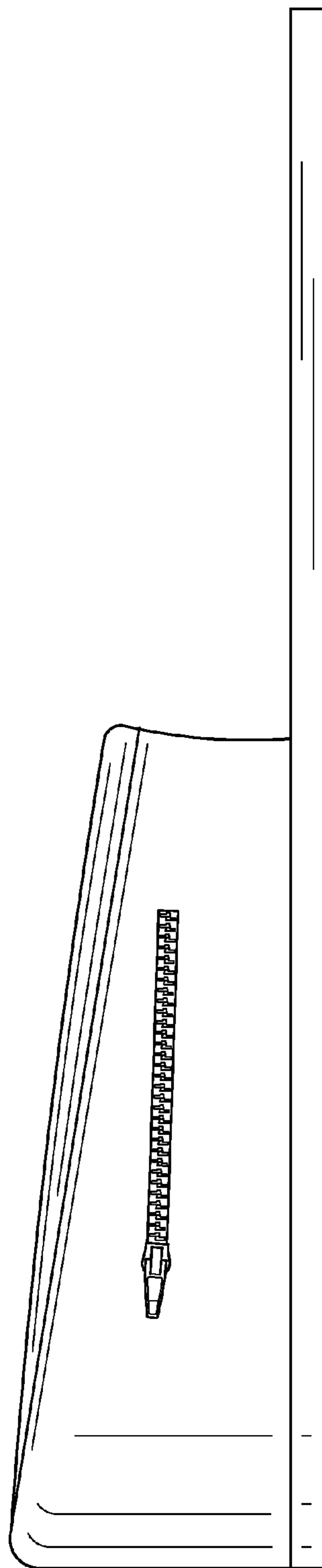


FIG. 2

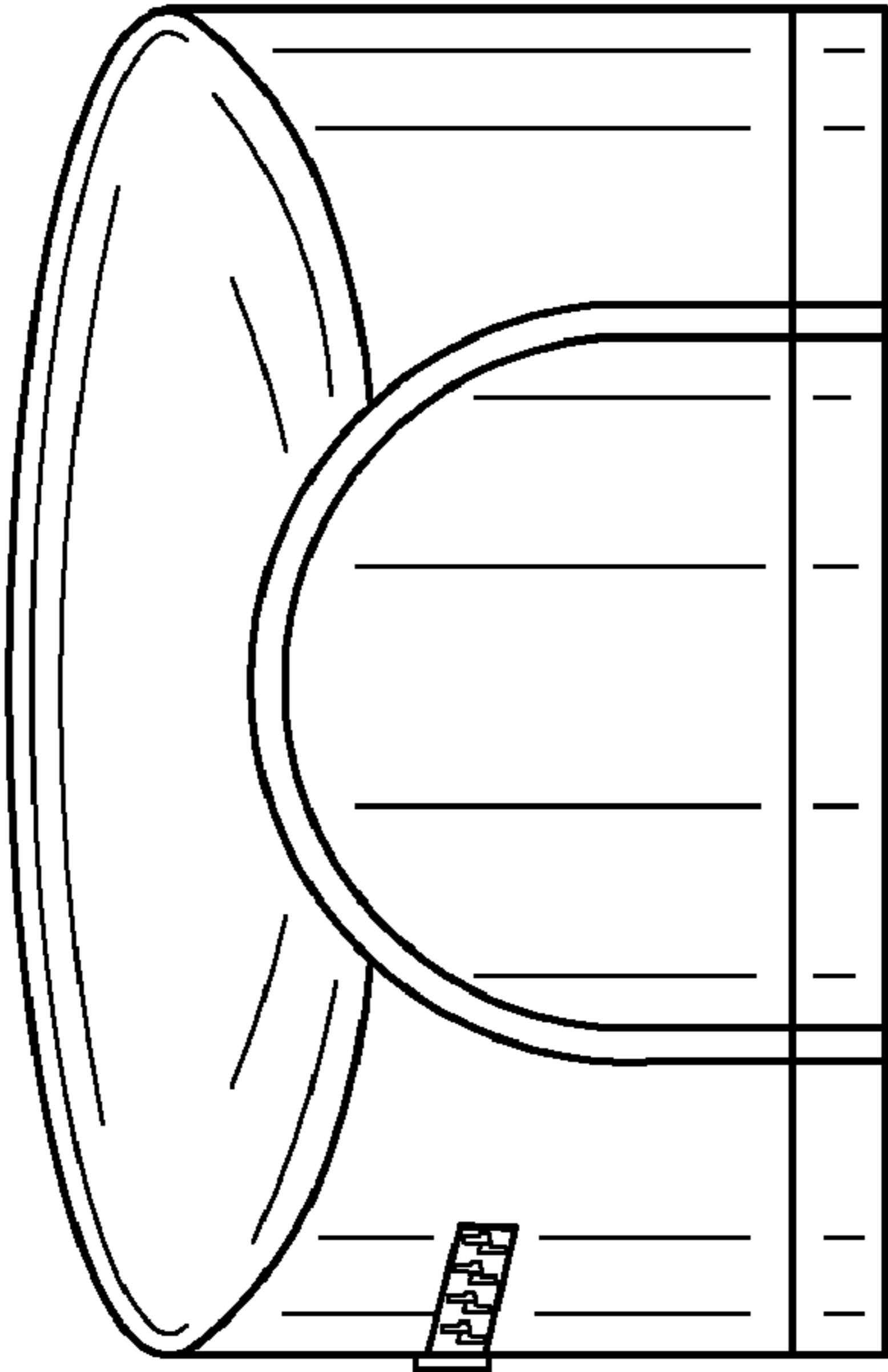


FIG. 3

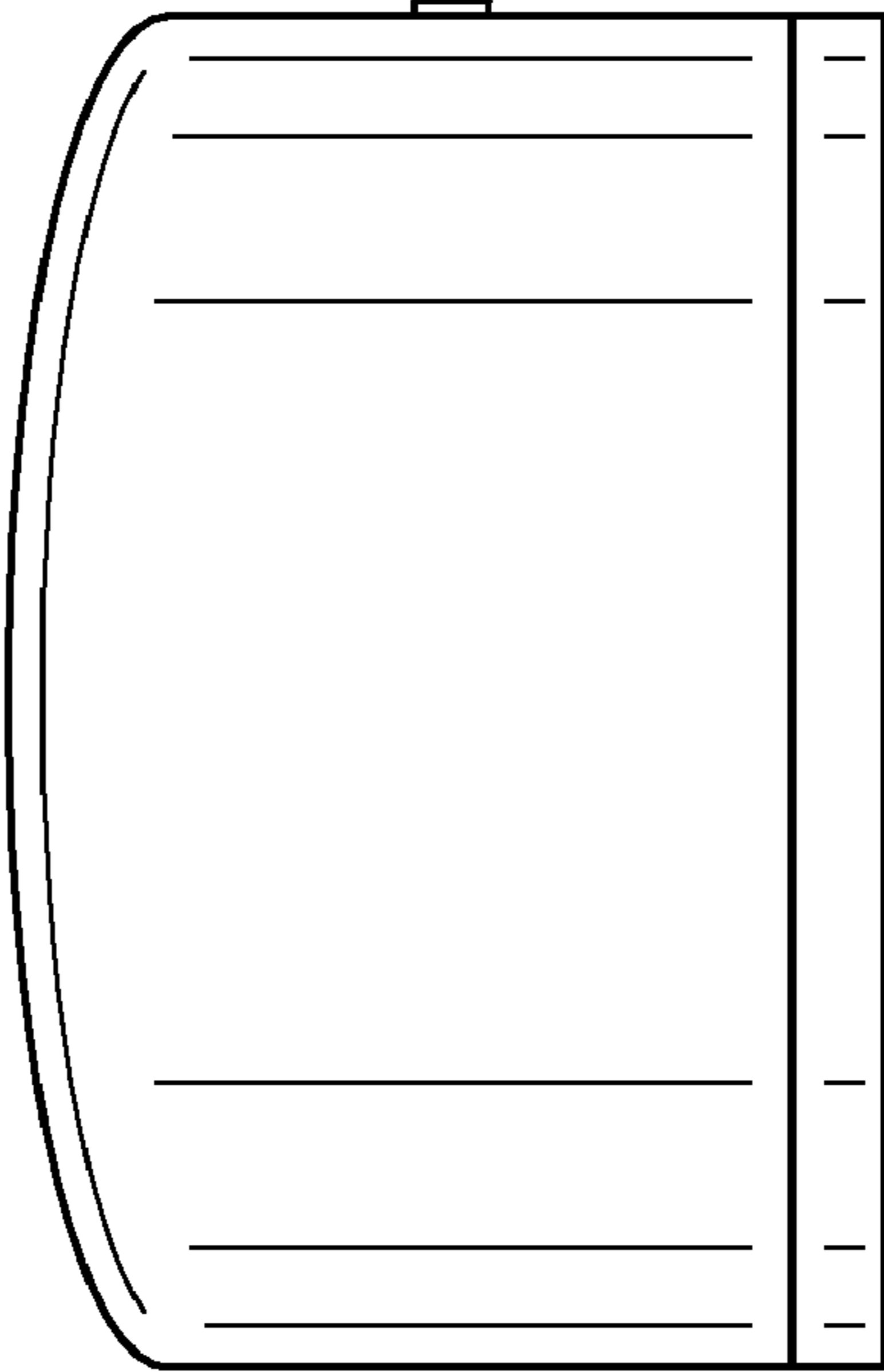


FIG. 4

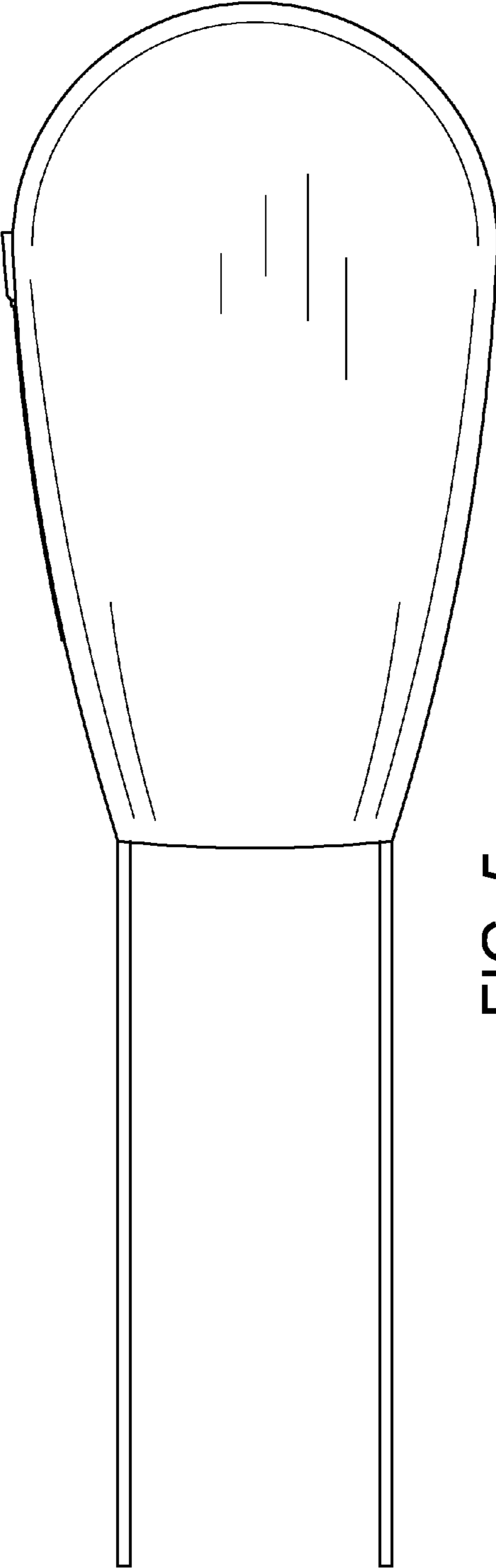


FIG. 5

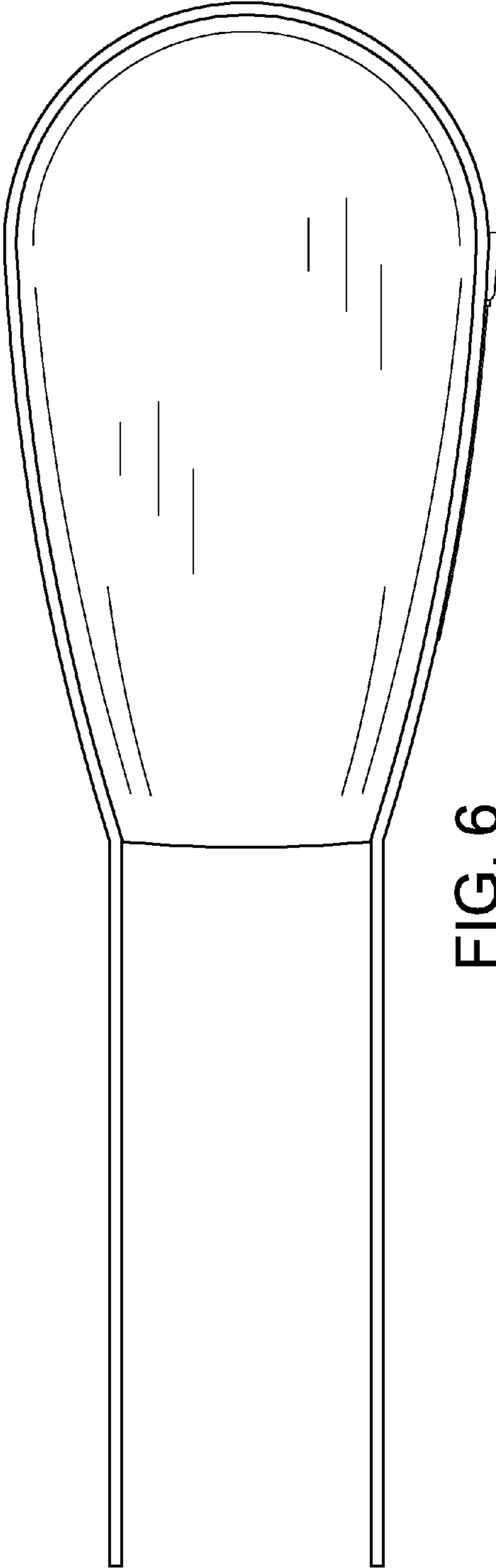


FIG. 6