



US00D610772S

(12) **United States Design Patent**
Ebbenga

(10) **Patent No.:** **US D610,772 S**

(45) **Date of Patent:** **** Feb. 23, 2010**

(54) **WINCH DRUM**

(76) Inventor: **Mark Ebbenga**, 8410 Itasca Ct., Forest Lake, MN (US) 55025

(**) Term: **14 Years**

(21) Appl. No.: **29/344,613**

(22) Filed: **Oct. 1, 2009**

Related U.S. Application Data

(62) Division of application No. 29/306,828, filed on Apr. 17, 2008, now Pat. No. Des. 602,674.

(51) **LOC (9) Cl.** **12-05**

(52) **U.S. Cl.** **D34/33; D8/368**

(58) **Field of Classification Search** D34/28, D34/33; D8/358, 359, 360.1; 254/266, 374, 254/371, 372; 242/601, 395
See application file for complete search history.

(56) **References Cited**

U.S. PATENT DOCUMENTS

- 3,910,557 A * 10/1975 Merriman 254/369
- 4,135,681 A * 1/1979 Cooper 242/392
- D257,028 S * 9/1980 Row D34/33
- D278,359 S * 4/1985 Sugimoto D22/137
- D373,886 S * 9/1996 McCloud, Jr. D34/33
- D436,520 S * 1/2001 Bulman D8/358
- D493,697 S * 8/2004 Kay D8/360
- 7,179,041 B2 2/2007 Ebbenga

- D538,631 S * 3/2007 Tabor et al. D8/359
- D583,651 S * 12/2008 Kawazoe D8/358
- D602,674 S * 10/2009 Ebbenga D34/33

* cited by examiner

Primary Examiner—Cynthia E Ramirez

(74) *Attorney, Agent, or Firm*—Z. Peter Sawicki; Westman, Champlin & Kelly, P.A.

(57) **CLAIM**

The ornamental design for a winch drum, as shown and described.

DESCRIPTION

FIG. 1 is a perspective view of one embodiment of the invention;

FIG. 2 is an end view with the opposite end being a mirror image thereof;

FIG. 3 is a side view thereof with all sides being the same;

FIG. 4 is a perspective view of another embodiment of the present invention;

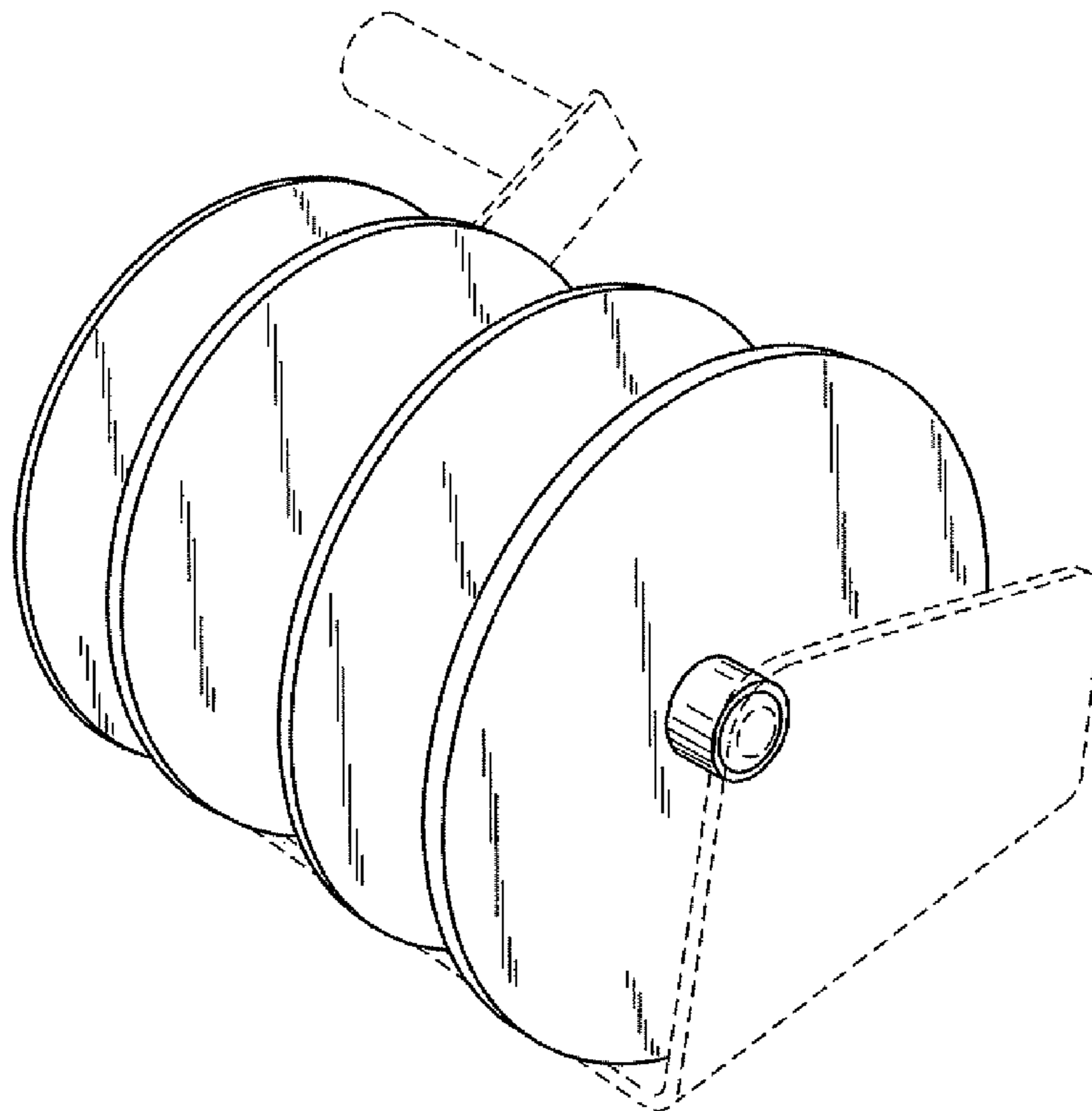
FIG. 5 is an end view thereof;

FIG. 6 is an end view of the opposite end of FIG. 5; and,

FIG. 7 is a side view thereof with all sides being the same.

The broken line showing a handle at some elements in some of the figures is included for the purpose of illustrating environment and forms no part of the claimed design.

1 Claim, 7 Drawing Sheets



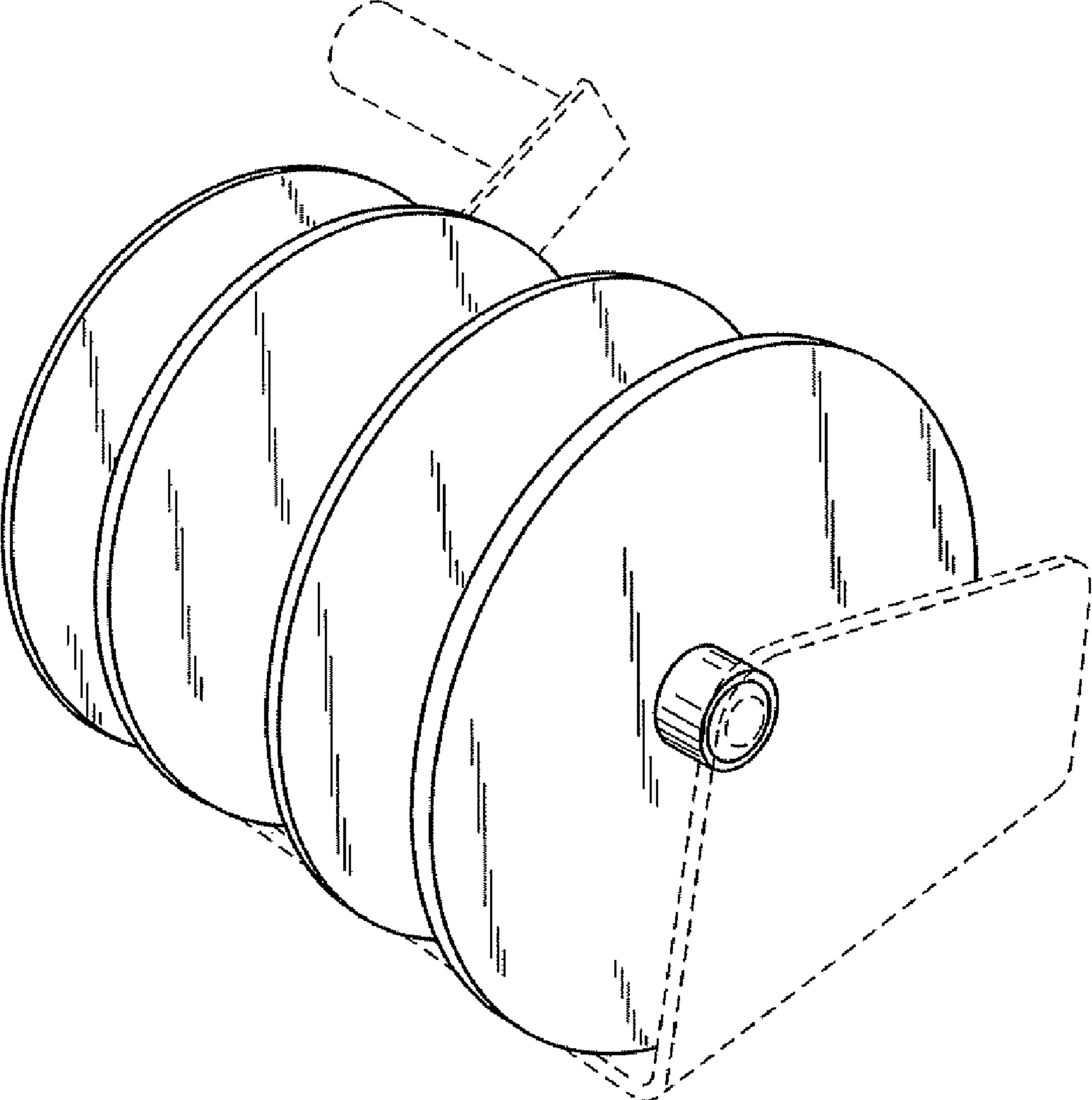


Fig. 1

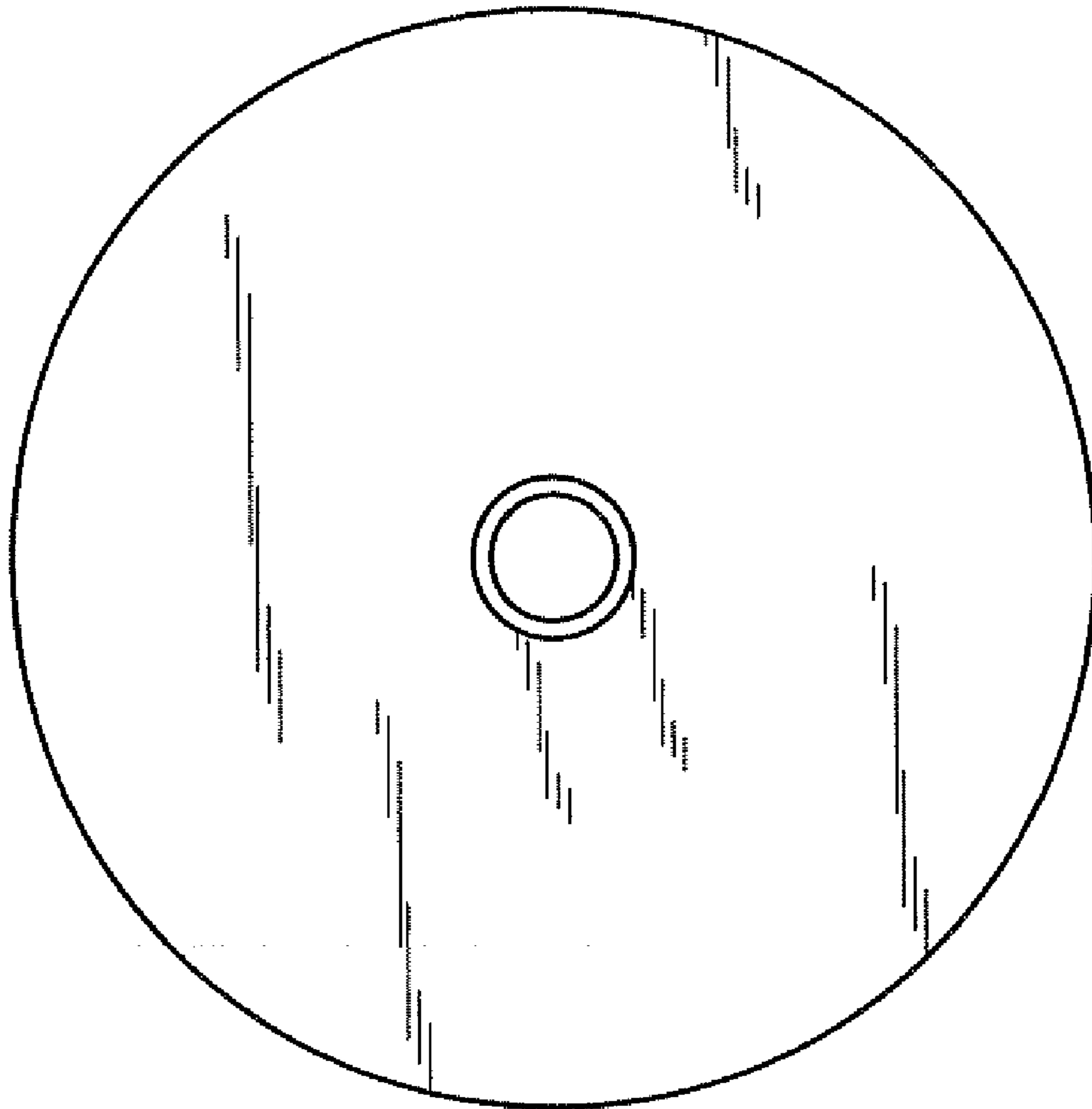


Fig. 2

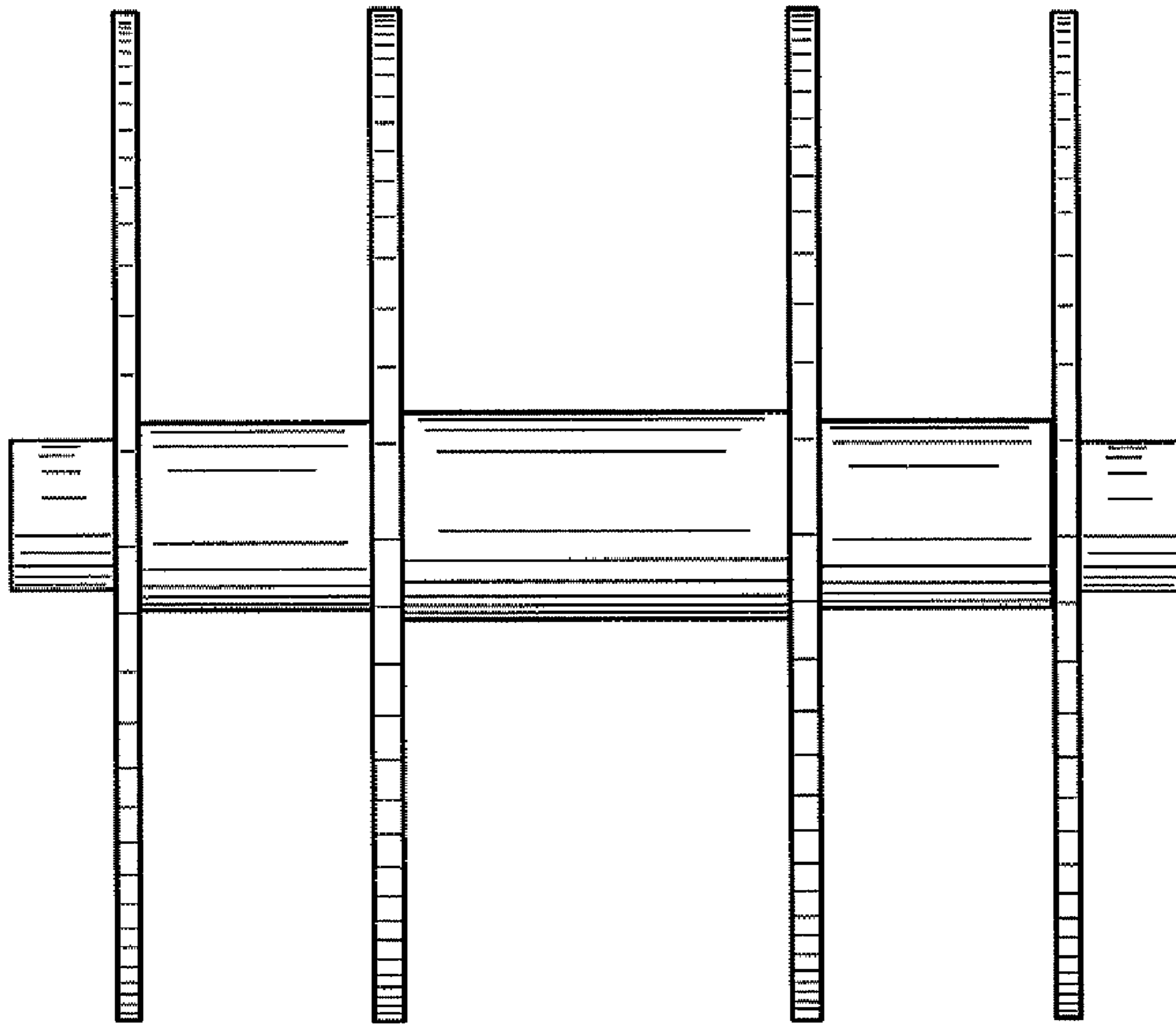


Fig. 3

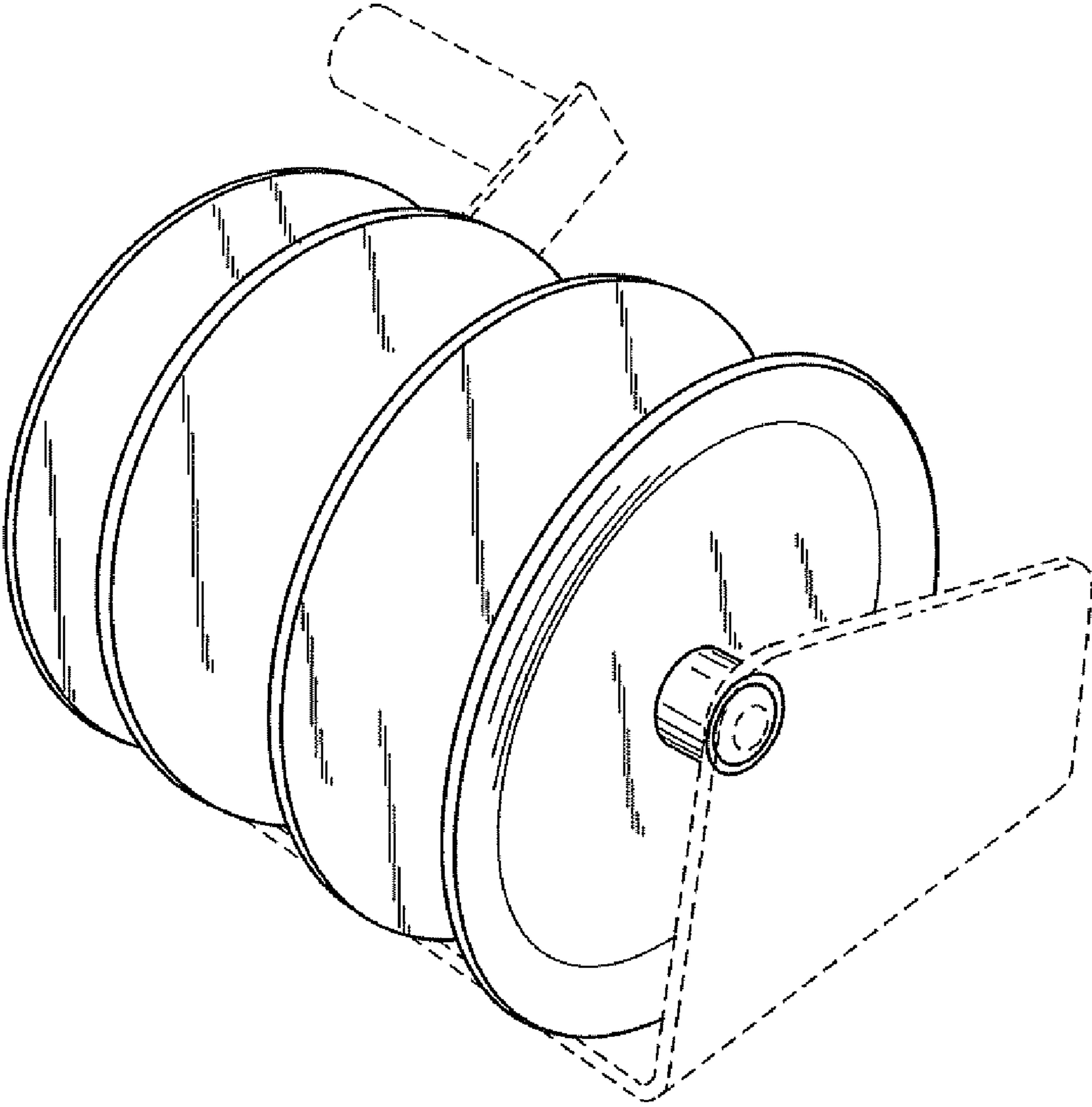


Fig. 4

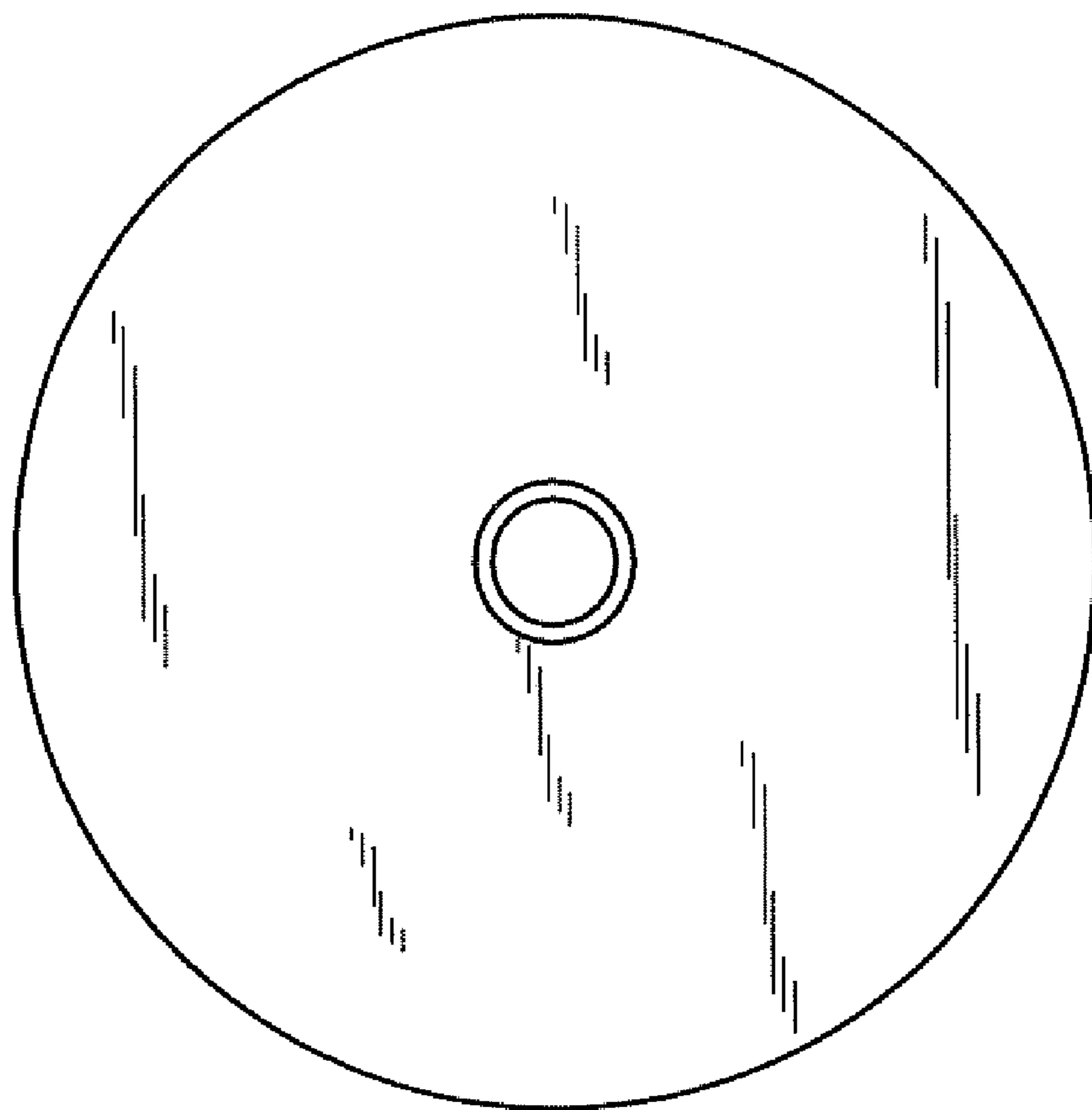


Fig. 5

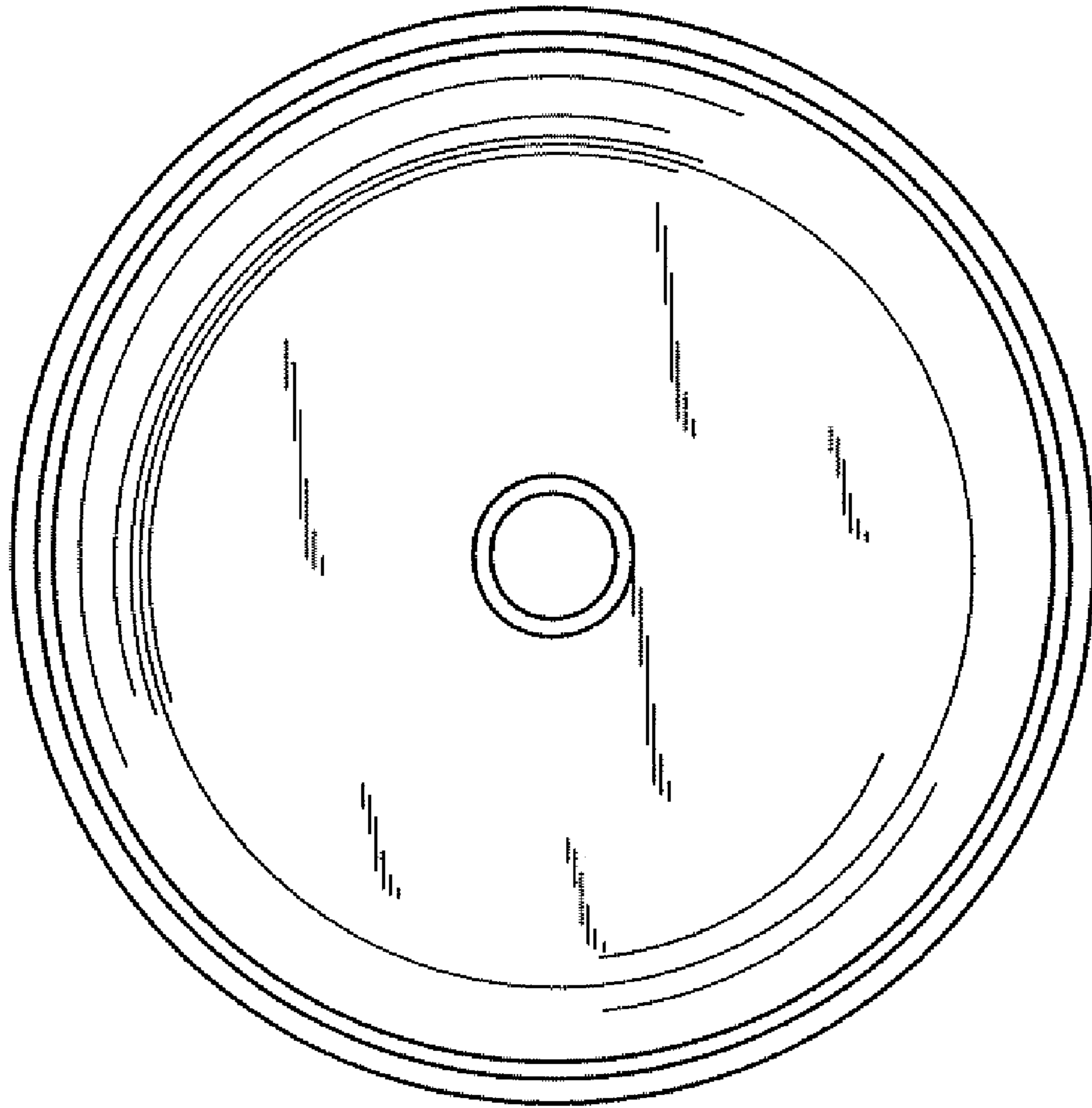


Fig. 6

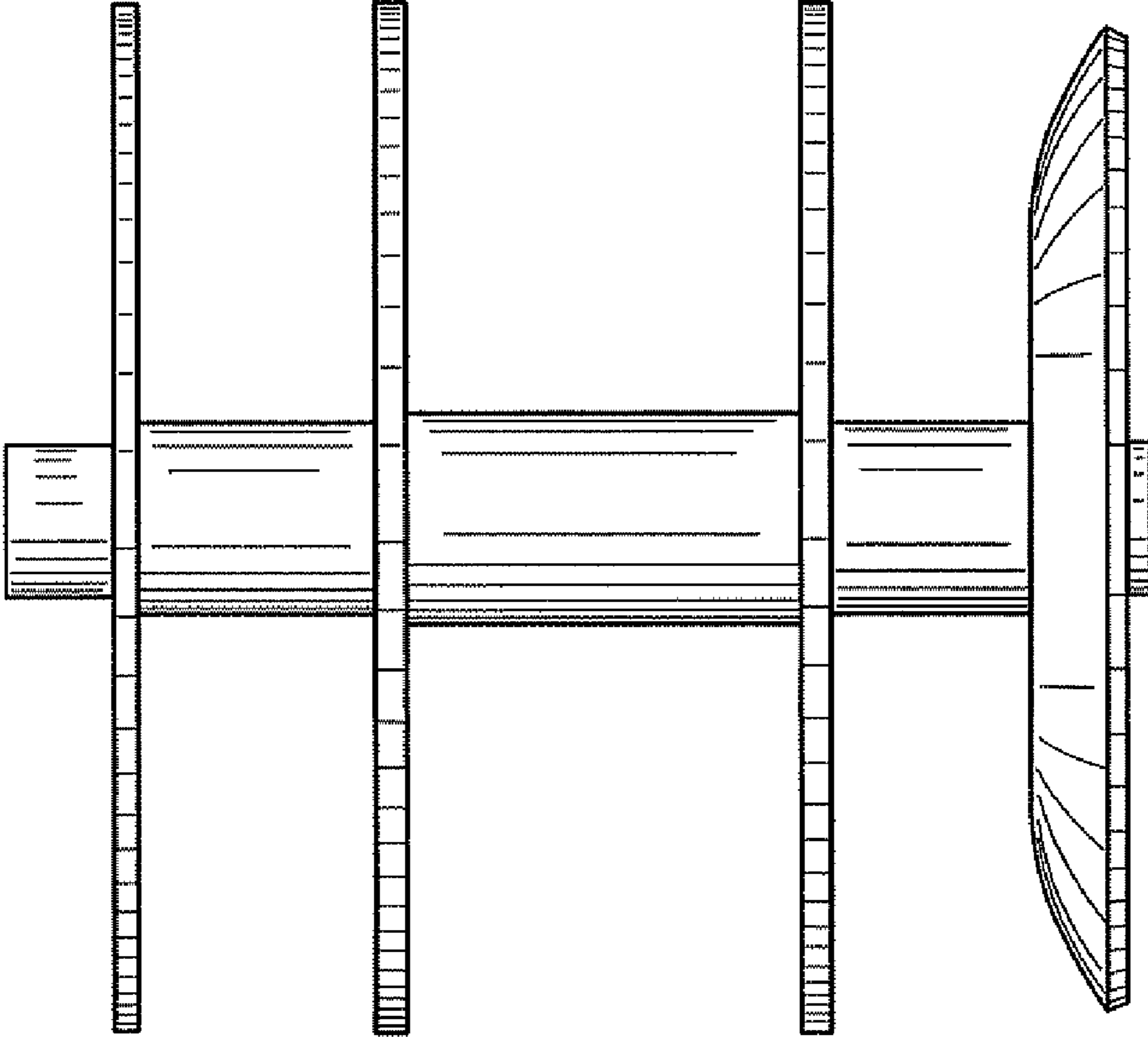


Fig. 7