



US00D610771S

(12) **United States Design Patent**
Doan

(10) **Patent No.:** **US D610,771 S**
(45) **Date of Patent:** **** Feb. 23, 2010**

(54) **PORTION OF A DUMP BLOCK**

(75) Inventor: **Stephen P. Doan**, Oregon City, OR (US)

(73) Assignee: **Columbia Steel Casting Co., Inc.**,
Portland, OR (US)

(**) Term: **14 Years**

(21) Appl. No.: **29/336,878**

(22) Filed: **May 11, 2009**

(51) **LOC (9) Cl.** **12-05**

(52) **U.S. Cl.** **D34/33; D34/35**

(58) **Field of Classification Search** D34/32,
D34/33, 35; 254/264, 265, 97, 266, 362,
254/323; 37/396, 397, 399; D8/358
See application file for complete search history.

(56) **References Cited**

U.S. PATENT DOCUMENTS

934,114	A *	9/1909	Weaver	242/379.2
1,756,910	A *	4/1930	Fuller	91/172
3,556,485	A *	1/1971	Orr	254/386
5,321,902	A	6/1994	Gregory		
5,398,433	A	3/1995	Dretzka		
5,511,447	A *	4/1996	Galloway et al.	74/577 S
5,636,460	A	6/1997	Dretzka		
D393,515	S *	4/1998	Pettersson	D34/33
D407,883	S *	4/1999	Okerlund et al.	D34/33
5,970,636	A	10/1999	Briscoe et al.		
D427,408	S *	6/2000	Daniels et al.	D34/33

(Continued)

OTHER PUBLICATIONS

Columbia Steel Casting Co., Inc. 40" dragline dump block (picture),
Dec. 2006.

Primary Examiner—Cynthia E Ramirez

(74) *Attorney, Agent, or Firm*—Klarquist Sparkman, LLP

(57) **CLAIM**

I claim the ornamental design for the portion of a dump block,
as shown and described.

DESCRIPTION

FIG. 1 is a right side perspective view of a first embodiment of
a portion of a dump block.

FIG. 2 is a front view of the dump block of FIG. 1.

FIG. 3 is a rear view of the dump block of FIG. 1.

FIG. 4 is a left side view of the dump block of FIG. 1.

FIG. 5 is a right side view of the dump block of FIG. 1.

FIG. 6 is a bottom view of the dump block of FIG. 1.

FIG. 7 is a top view of the dump block of FIG. 1.

FIG. 8 is a right side perspective view of a second embodi-
ment of a portion of a dump block.

FIG. 9 is a front view of the dump block of FIG. 8.

FIG. 10 is a rear view of the dump block of FIG. 8.

FIG. 11 is a left side view of the dump block of FIG. 8.

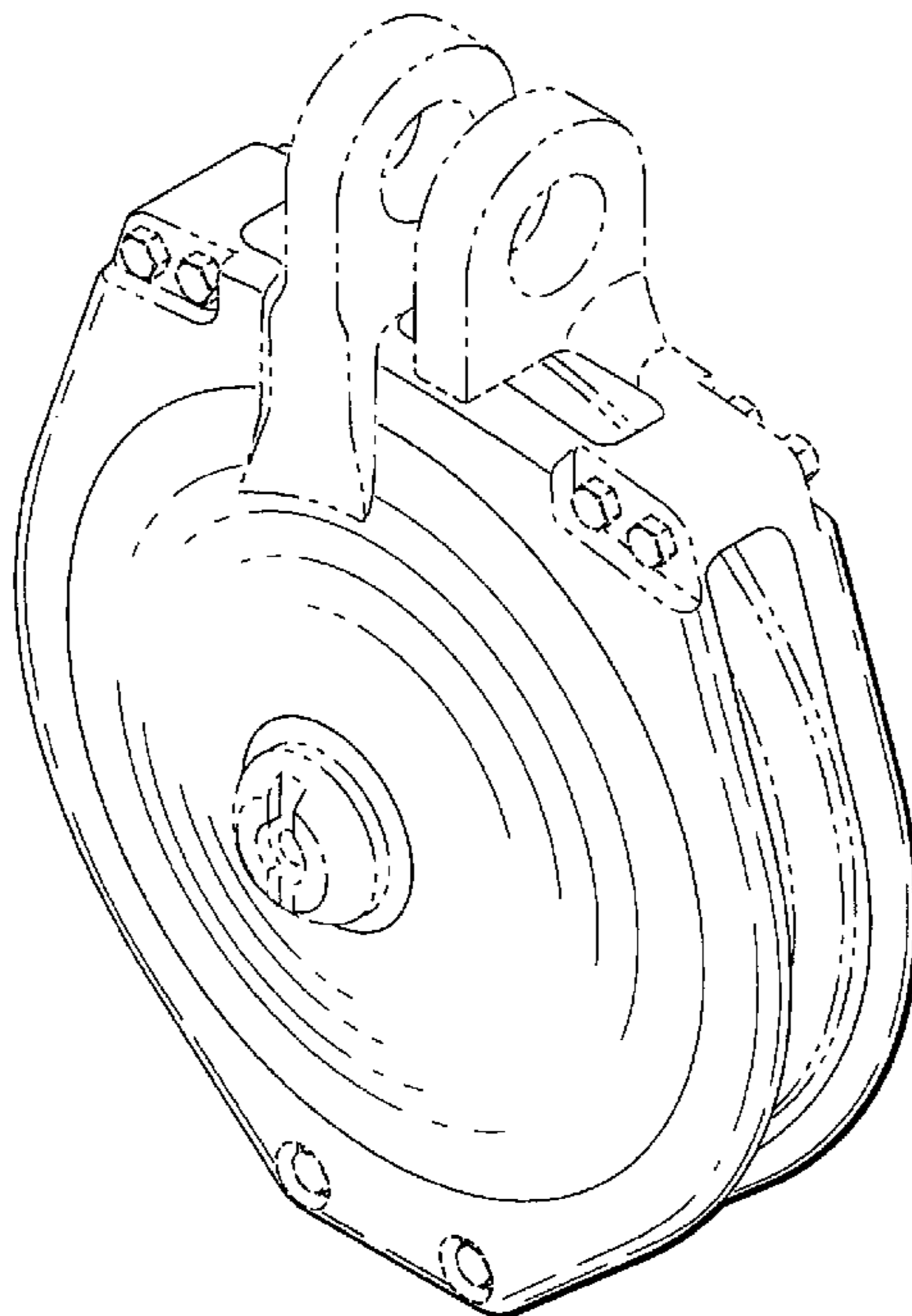
FIG. 12 is a right side view of the dump block of FIG. 8.

FIG. 13 is a bottom view of the dump block of FIG. 8; and,

FIG. 14 is a top view of the dump block of FIG. 8.

The broken lines shown herein are for illustrative purposes
only and form no part of the claimed design.

1 Claim, 8 Drawing Sheets



US D610,771 S

Page 2

U.S. PATENT DOCUMENTS			
D506,124 S *	6/2005	Strickland et al.	D8/358
D511,294 S *	11/2005	Kovacik et al.	D8/358
D534,704 S *	1/2007	Myers et al.	D34/33
7,404,545 B2 *	7/2008	Steiner et al.	254/323
D584,937 S *	1/2009	Kovacik et al.	D8/358
D589,329 S *	3/2009	Plunk et al.	D8/359
D596,369 S *	7/2009	Walstrom et al.	D34/33

* cited by examiner

Fig. 1

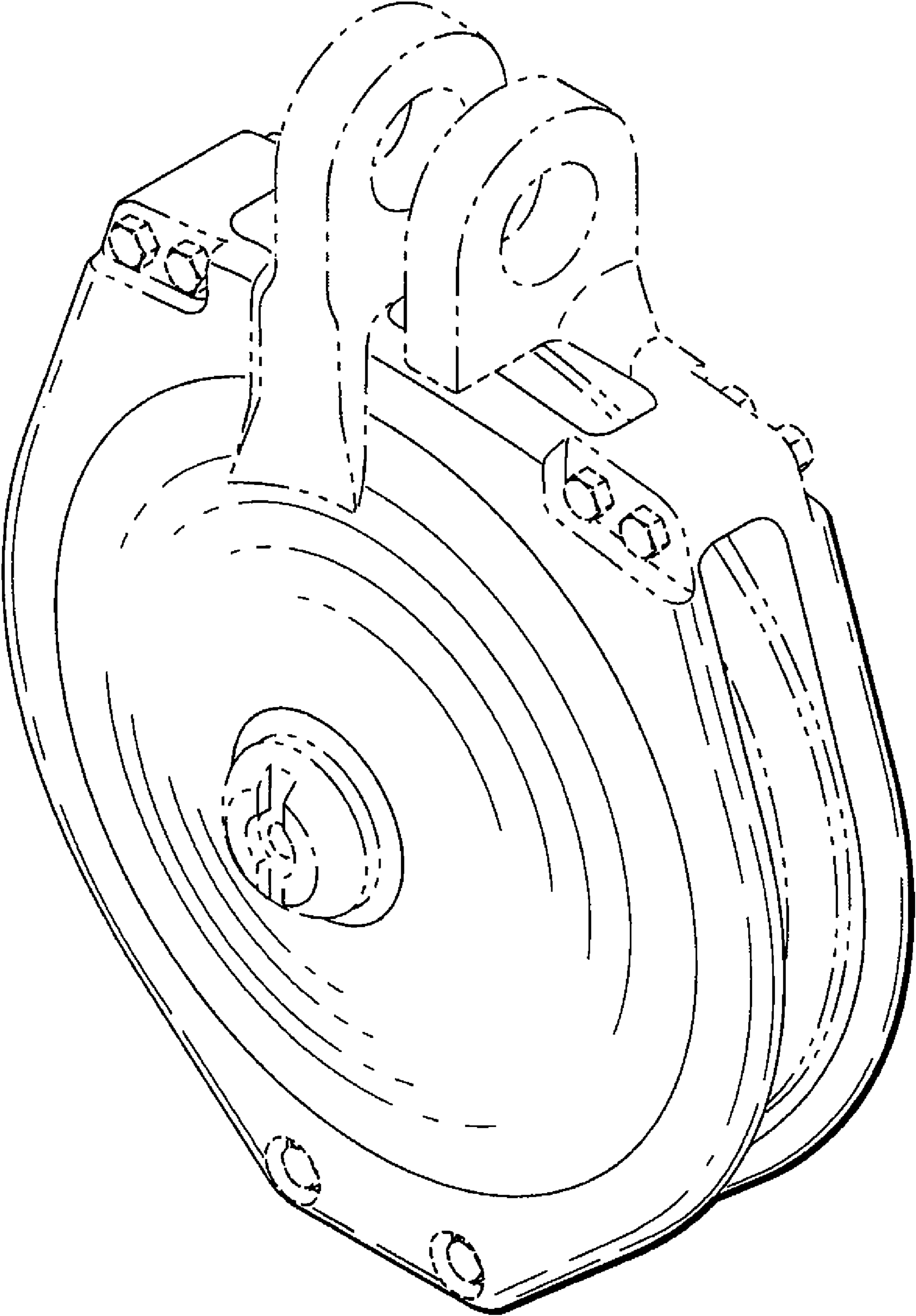


Fig. 3

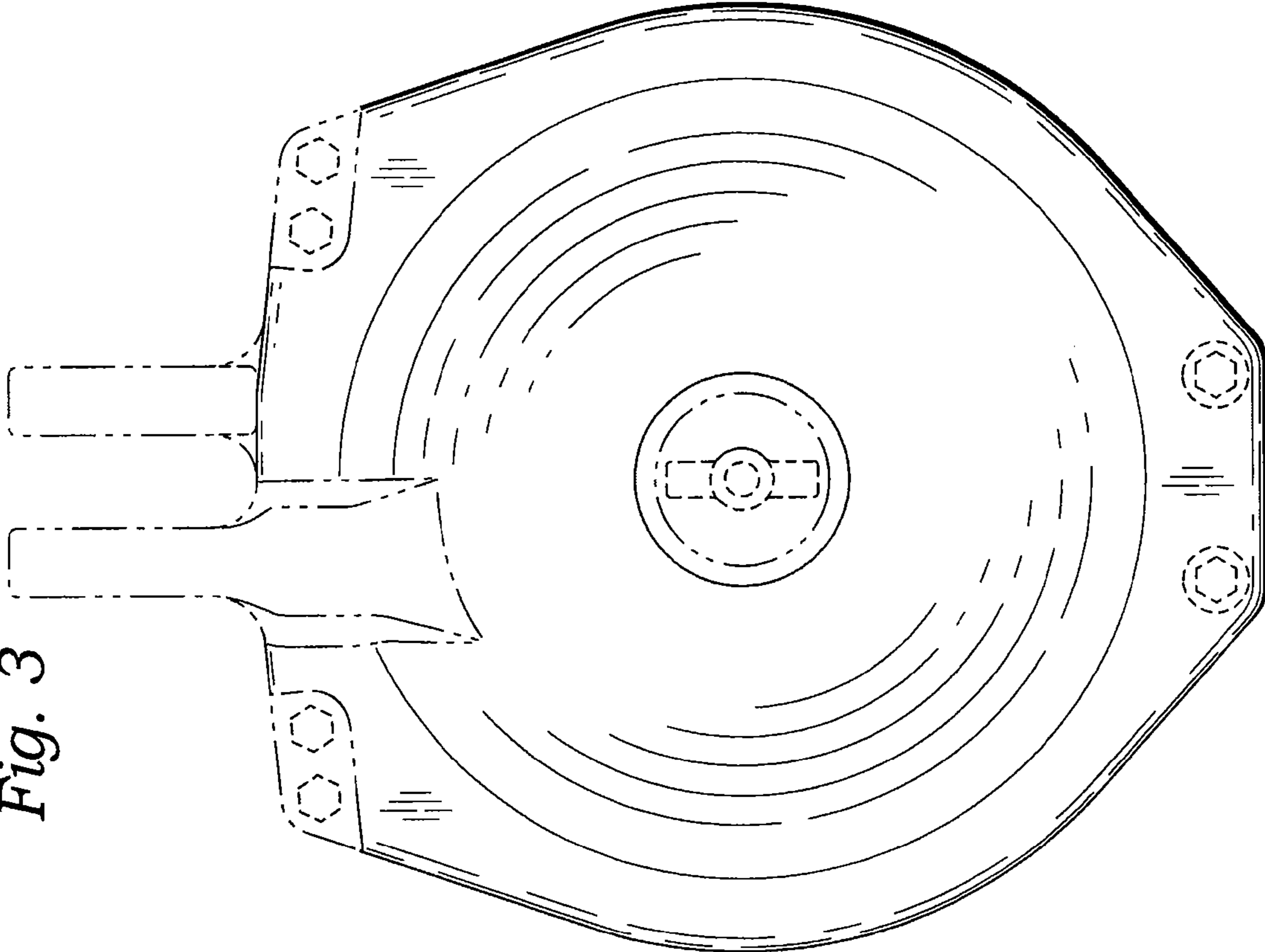


Fig. 2

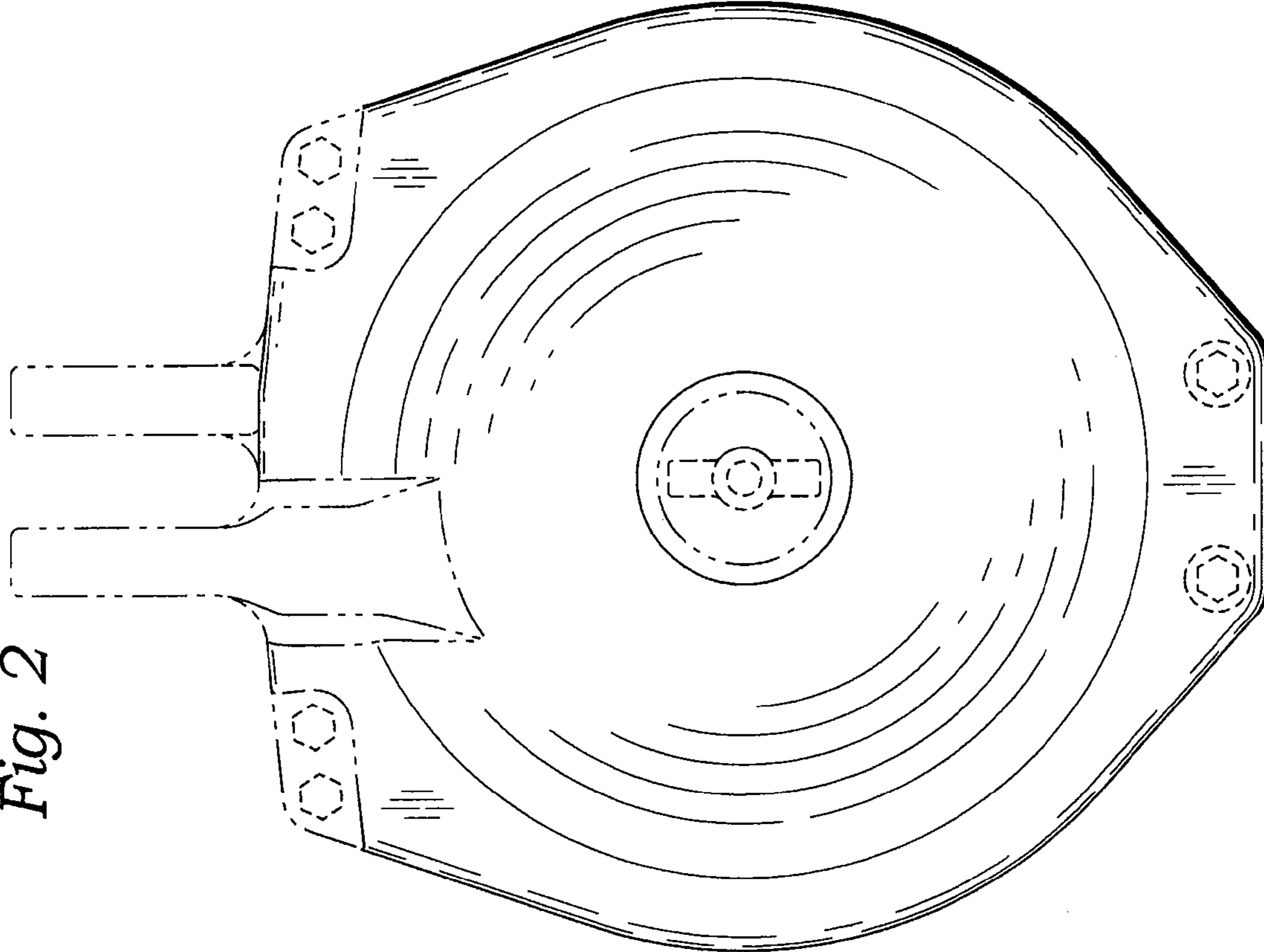


Fig. 4

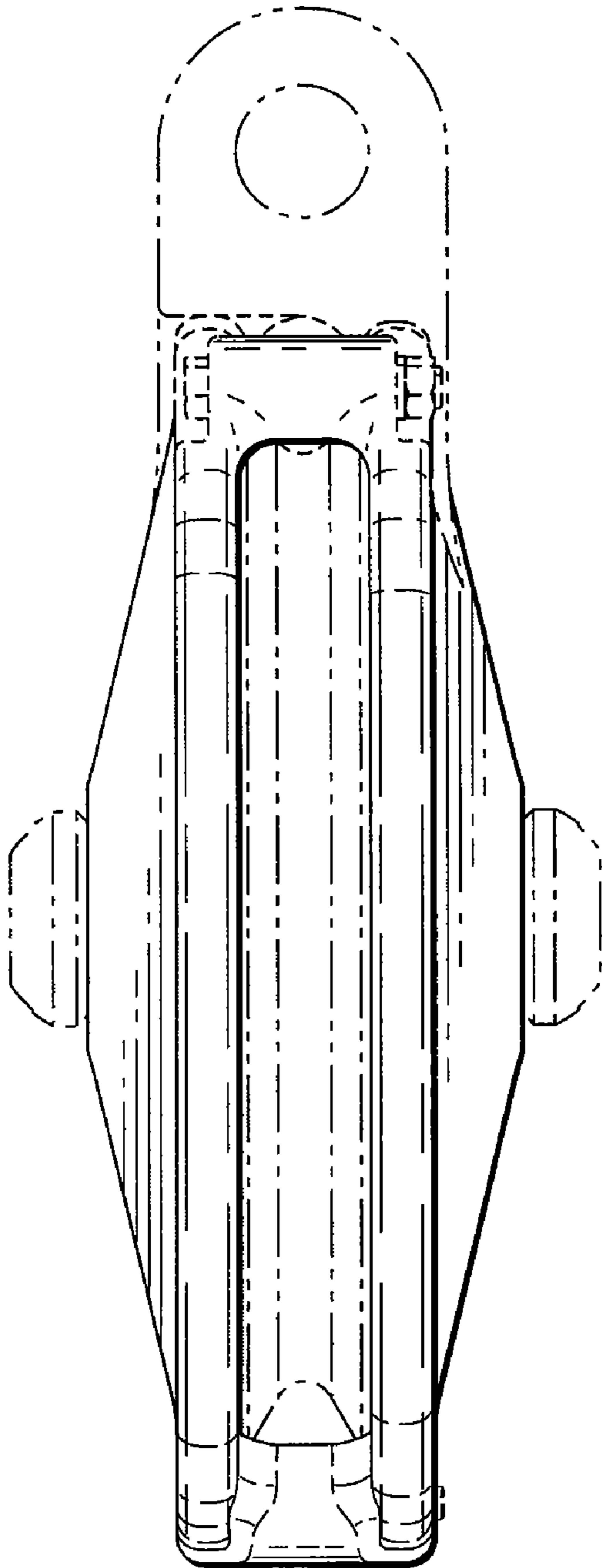


Fig. 5

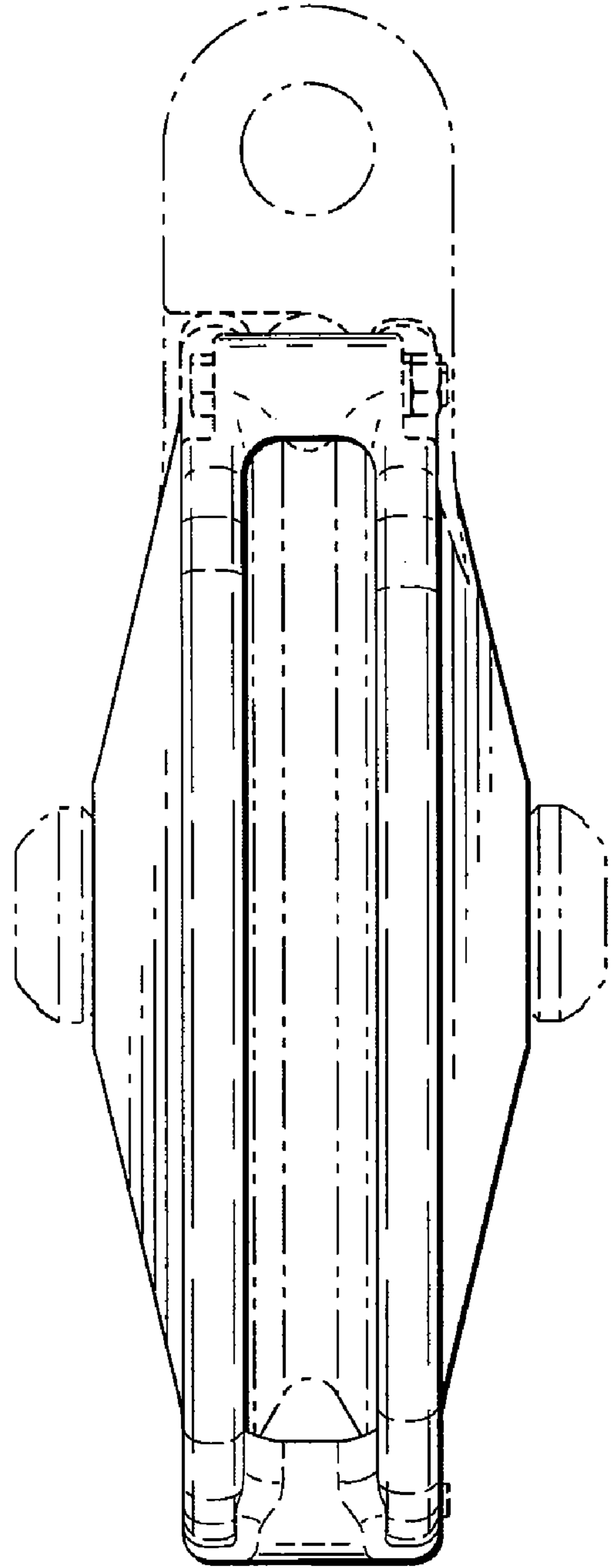


Fig. 6

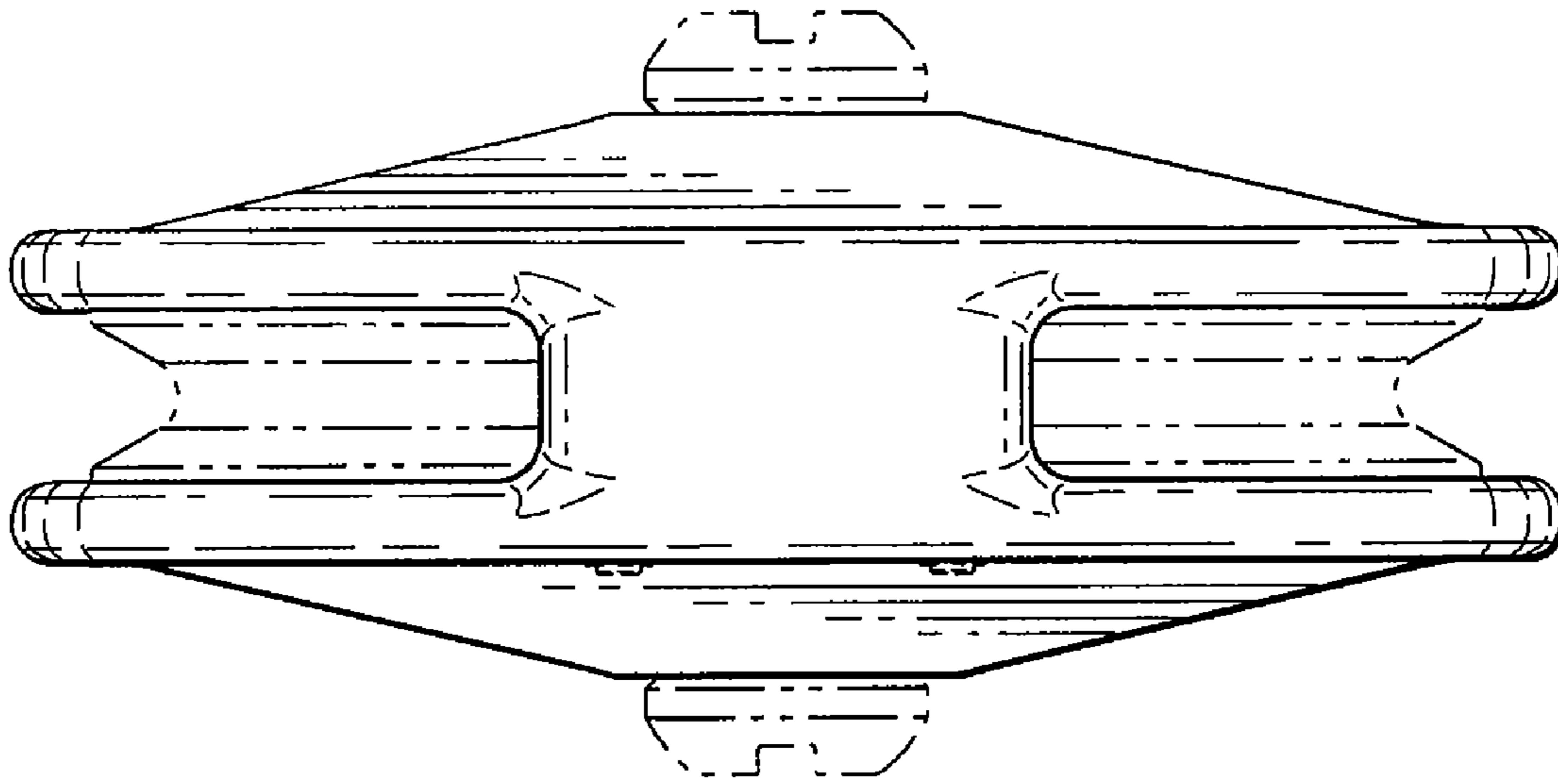


Fig. 7

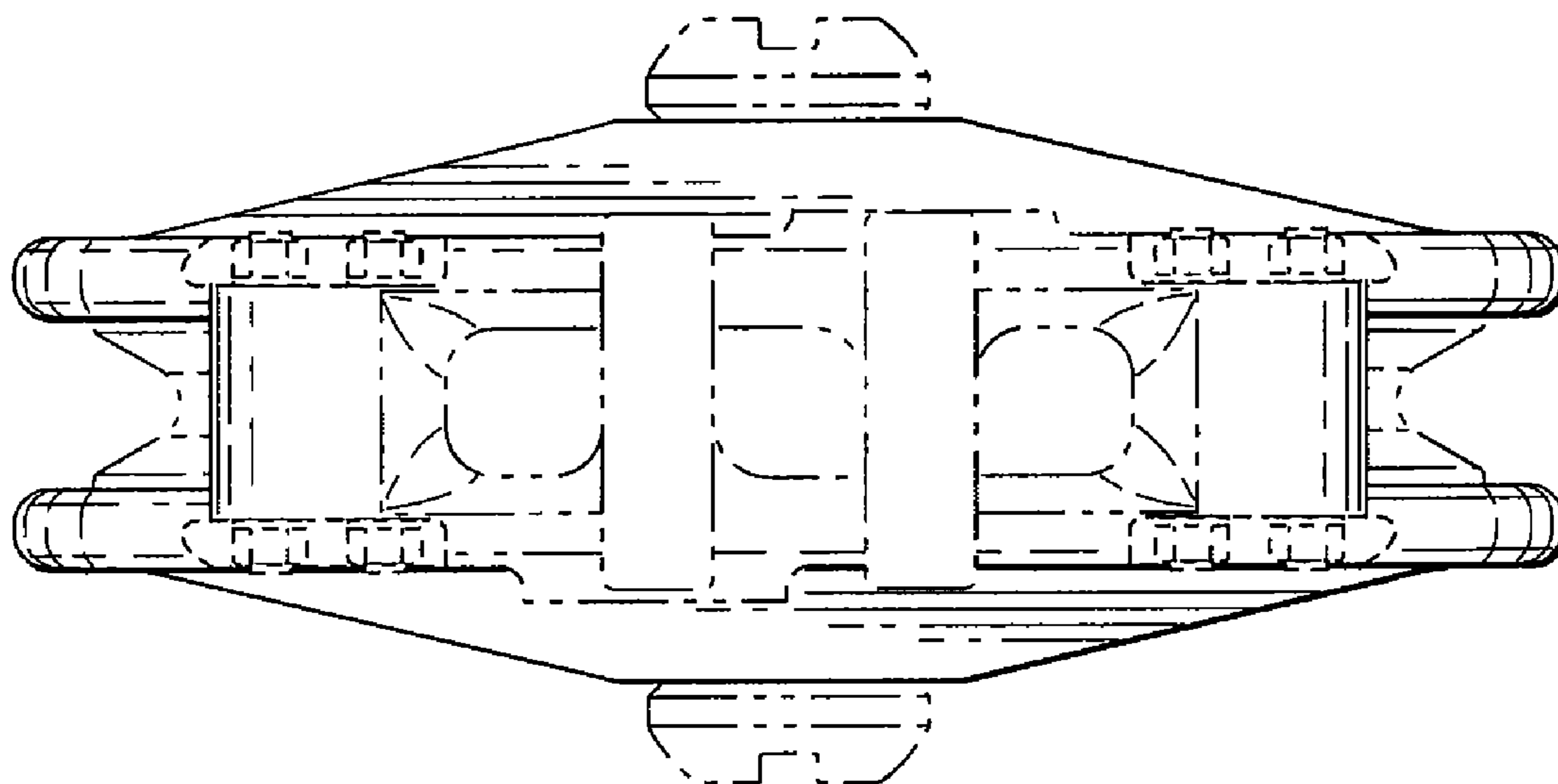
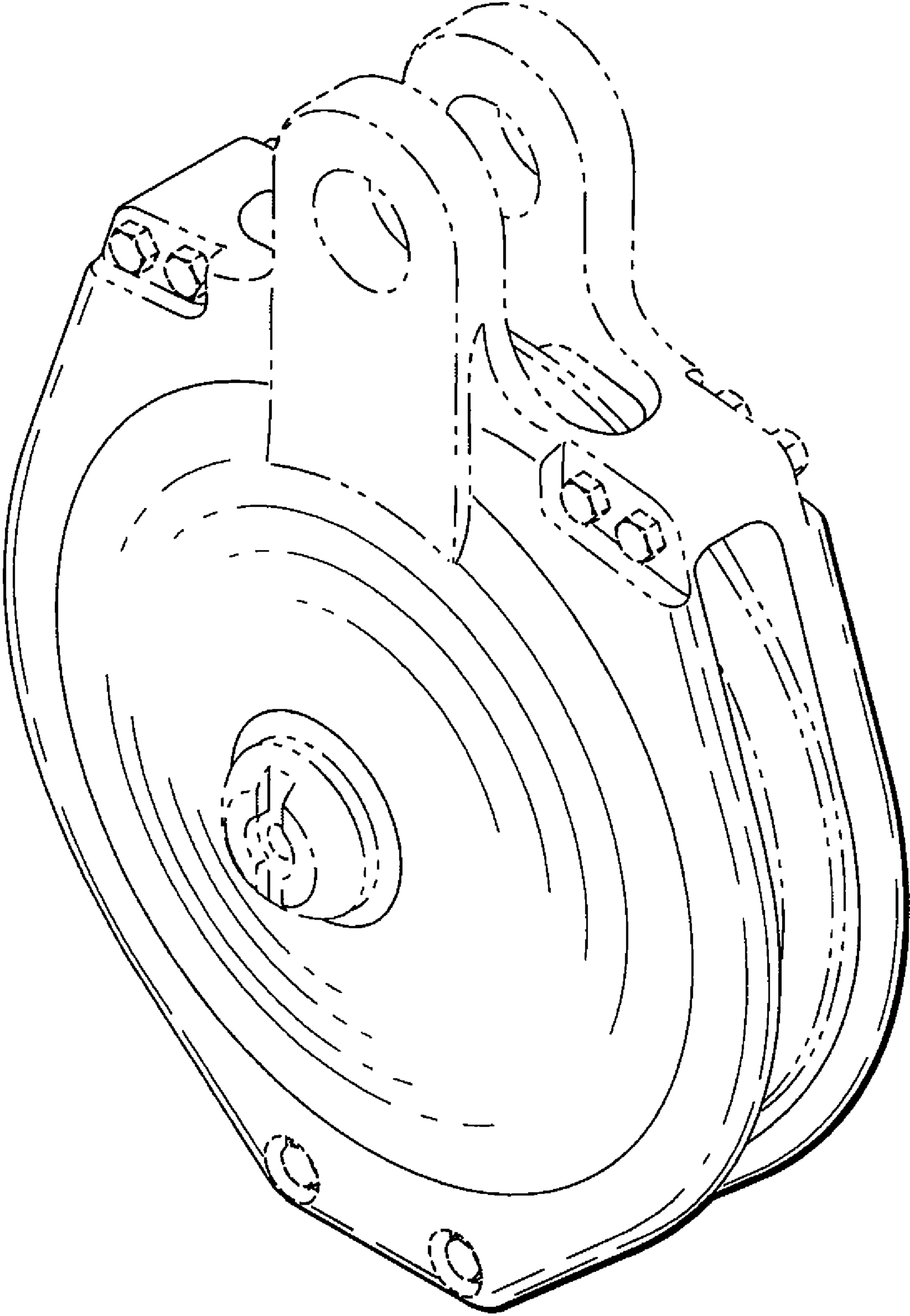


Fig. 8



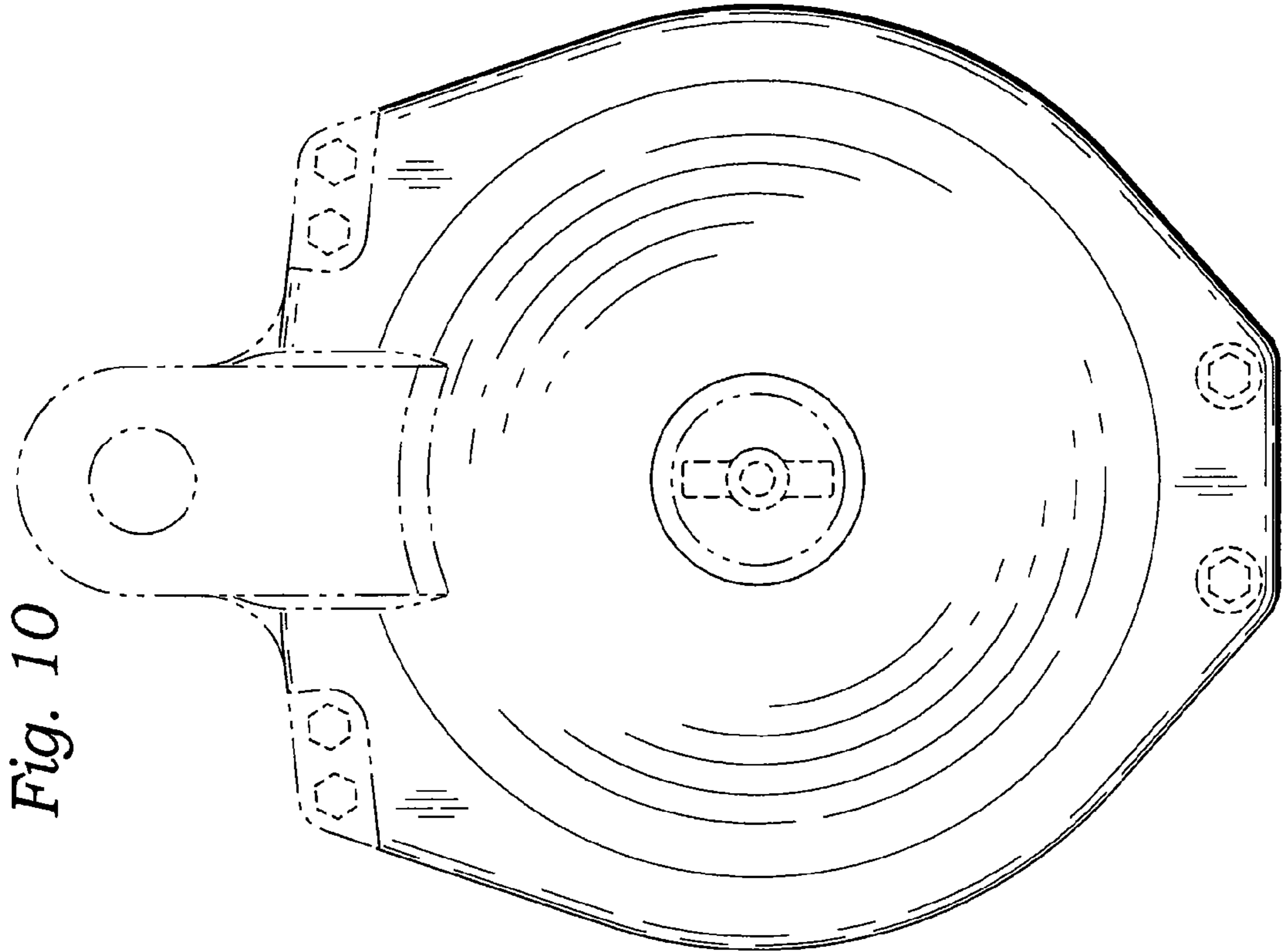


Fig. 10

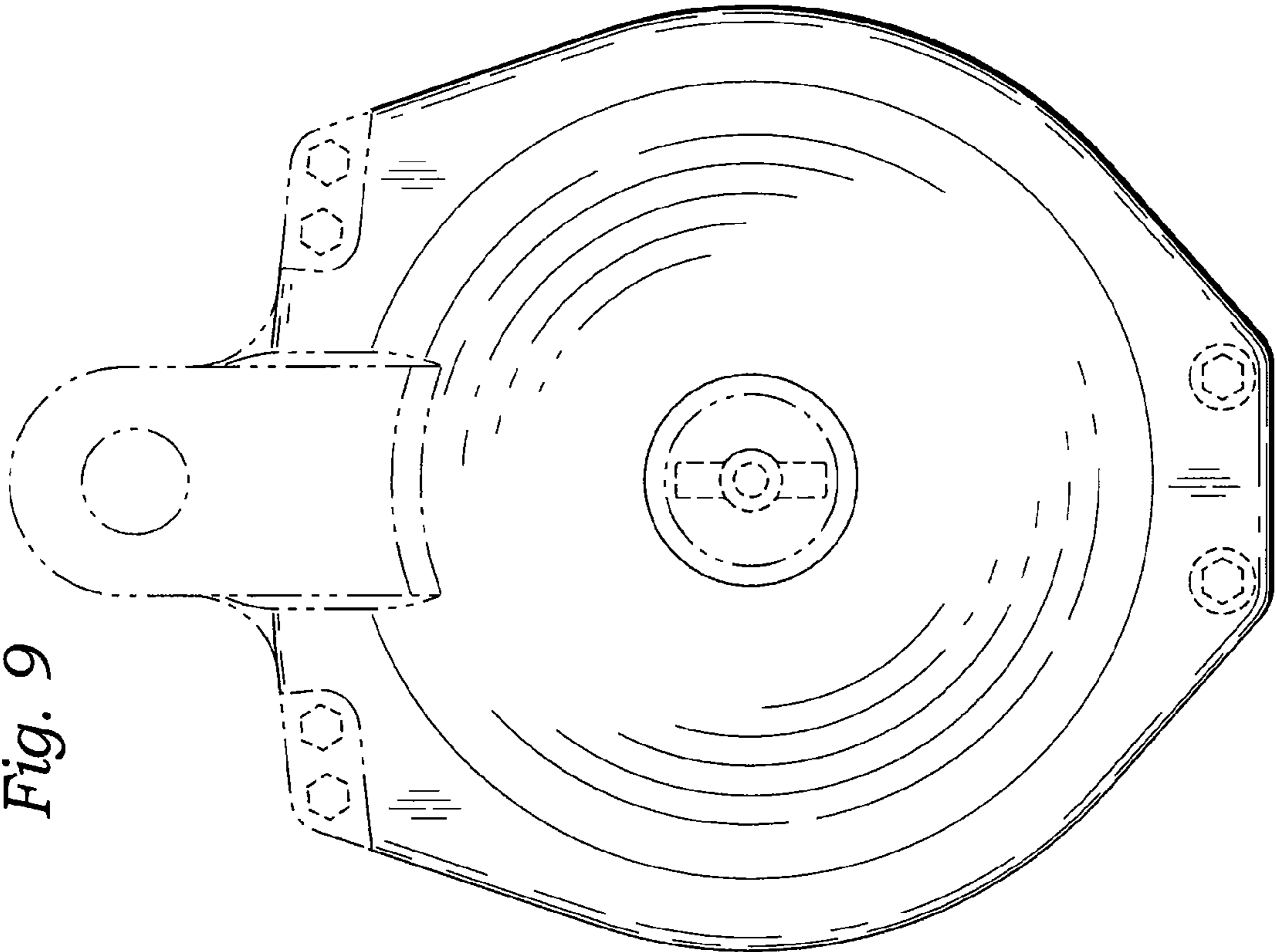


Fig. 9

Fig. 11

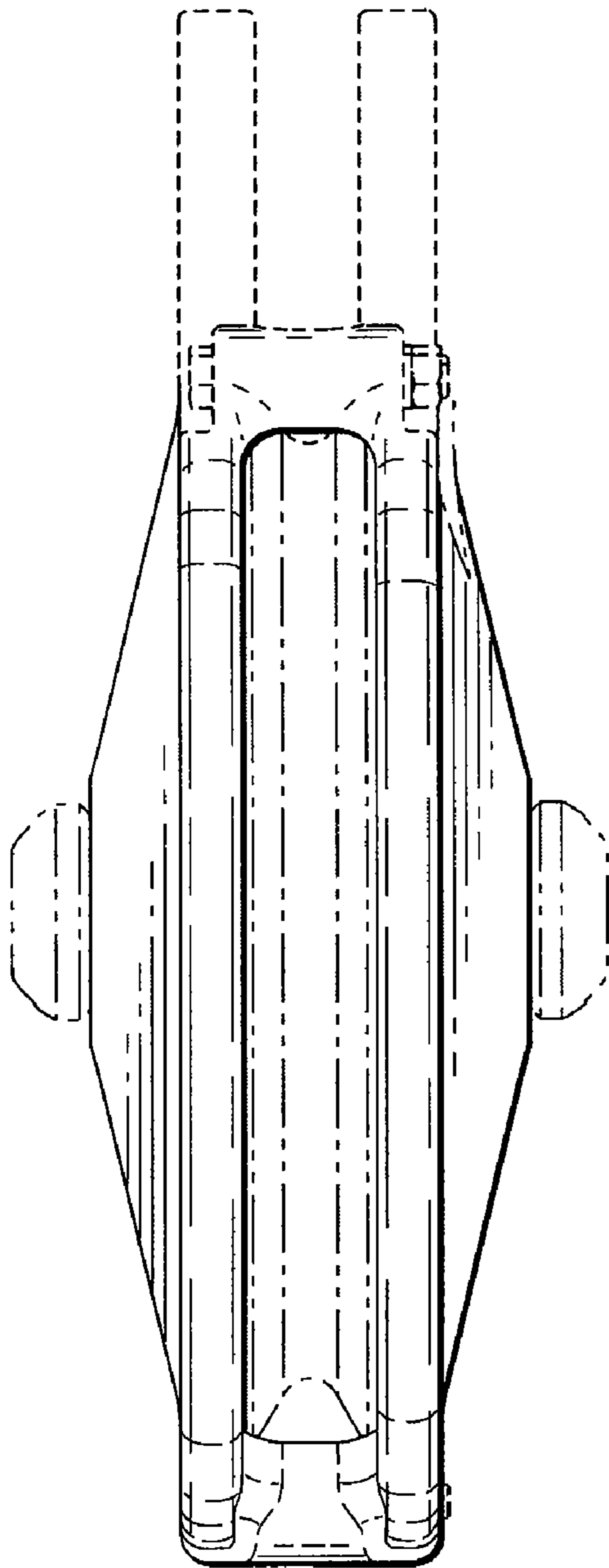


Fig. 12

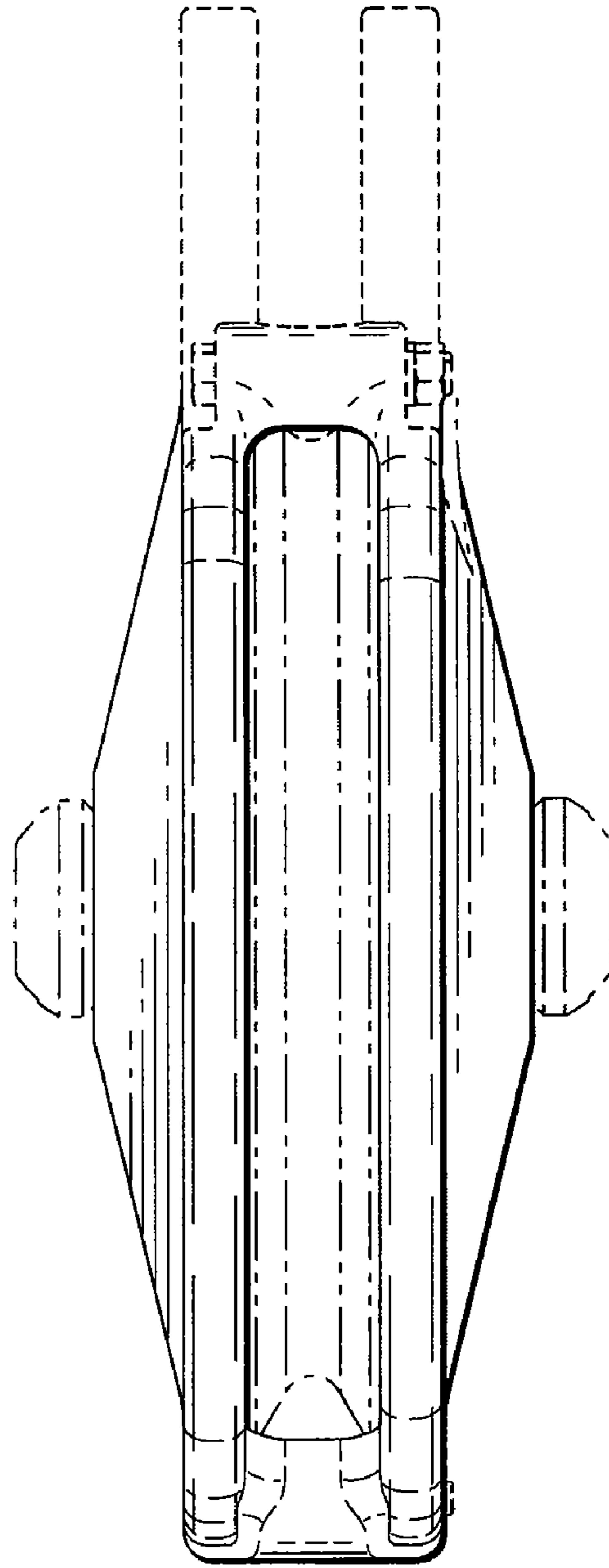


Fig. 13

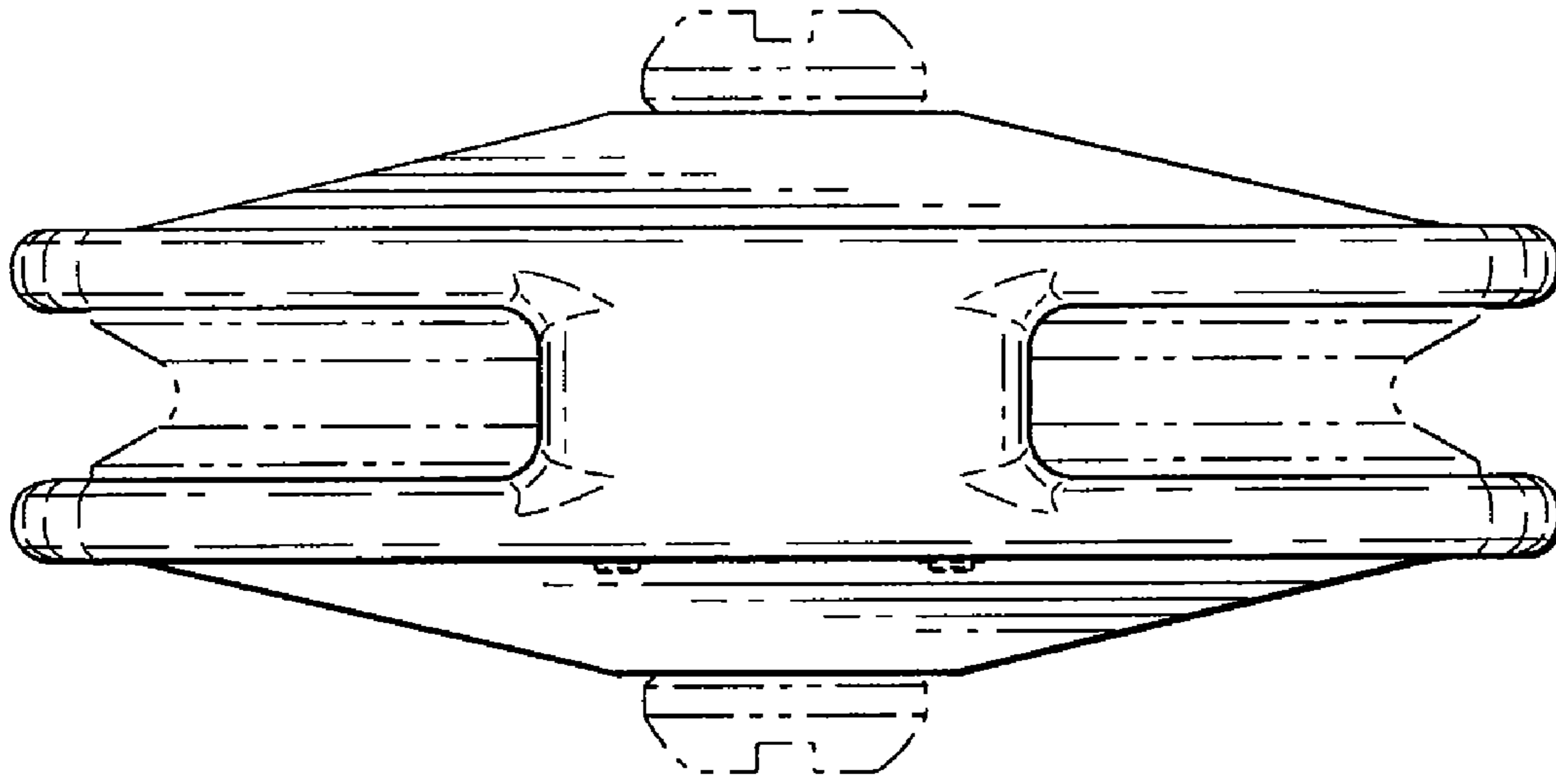


Fig. 14

