



US00D610769S

(12) **United States Design Patent**
Post

(10) **Patent No.:** **US D610,769 S**
(45) **Date of Patent:** **** Feb. 23, 2010**

(54) **MESH CART**

D565,334 S * 4/2008 Post et al. D6/510
D567,553 S * 4/2008 Post et al. D6/510

(75) Inventor: **R. Neal Post**, Springfield, IL (US)

* cited by examiner

(73) Assignee: **Design Ideas, Ltd.**, Springfield, IL (US)

Primary Examiner—Cynthia E Ramirez

(**) Term: **14 Years**

(74) *Attorney, Agent, or Firm*—SAIDMAN DesignLaw Group

(21) Appl. No.: **29/322,663**

(57) **CLAIM**

(22) Filed: **Aug. 8, 2008**

The ornamental design for a mesh cart, as shown and described.

(51) **LOC (9) Cl.** **12-02**

(52) **U.S. Cl.** **D34/21**

(58) **Field of Classification Search** D34/12–27;
280/79.11, 79.3, 79.2, 47, 34; D6/465, 475;
211/180, 134; 206/505–507

DESCRIPTION

See application file for complete search history.

FIG. 1 is a perspective view of a mesh cart showing my new design;

FIG. 2 is a front view thereof;

FIG. 3 is a left-side view thereof, the right-side view being a mirror image; and,

FIG. 4 is a top view thereof.

(56) **References Cited**

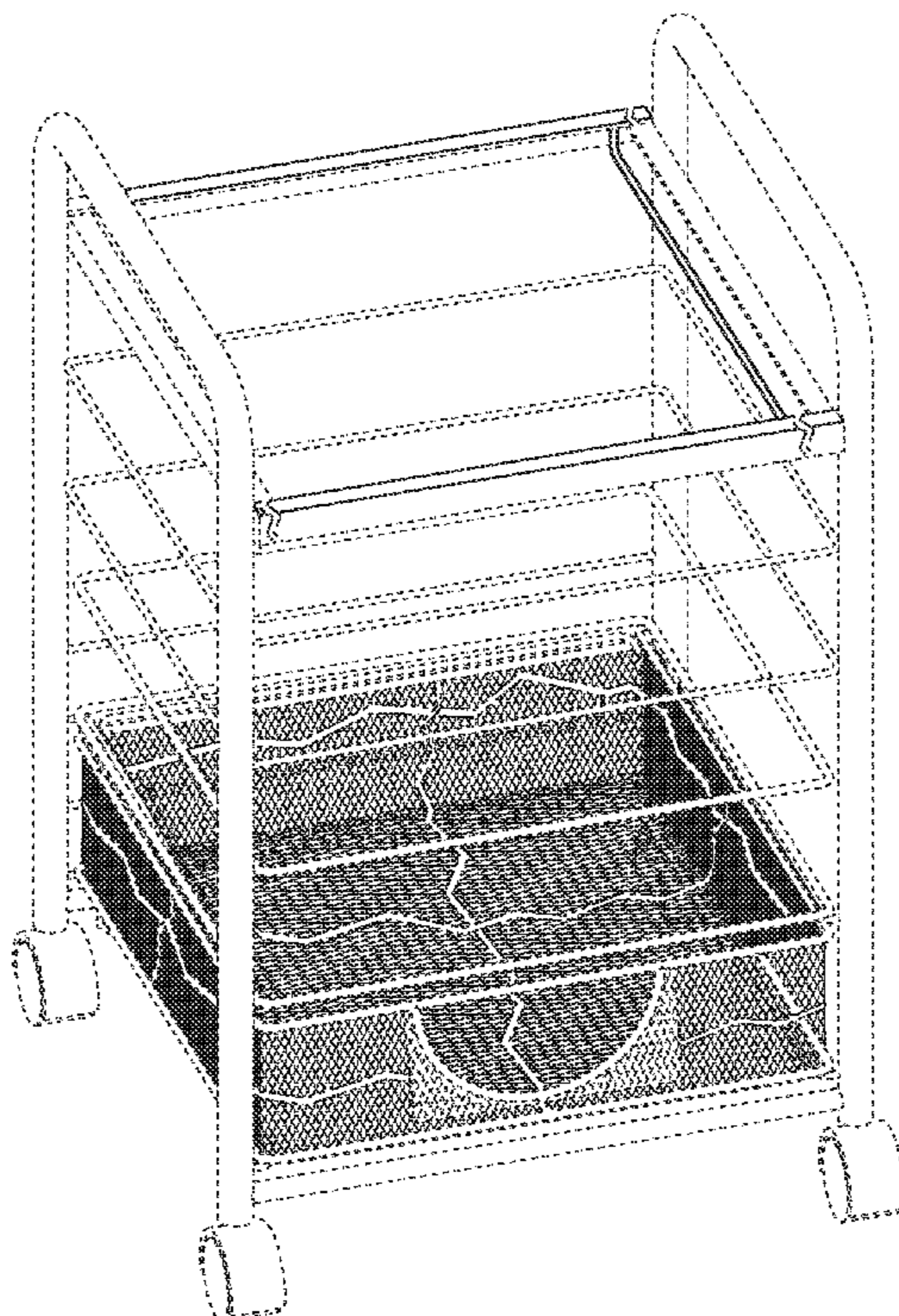
U.S. PATENT DOCUMENTS

The broken line showing of structural lines is included for the purpose of illustrating non-claimed subject matter and forms no part of the claimed design.

The pairs of closely adjacent, spaced jagged broken lines in the drawings form no part of the claimed design and the portions between such pairs of jagged, broken lines are broken away to disclose indeterminate length. The material that may be visible between the jagged lines has been removed for clarity.

1,463,098	A	*	7/1923	Snyder	220/630
D207,308	S	*	4/1967	Bell	D34/21
D434,074	S	*	11/2000	Hardy	D19/75
D436,239	S	*	1/2001	Walsh	D34/21
D450,481	S	*	11/2001	Post	D6/465
D460,848	S	*	7/2002	Tzeng	D34/21
D479,272	S	*	9/2003	Hardy et al.	D19/92
D481,233	S	*	10/2003	Post et al.	6/510
D486,981	S	*	2/2004	Post et al.	D6/465
6,718,635	B2	*	4/2004	Cheng et al.	29/896.6
D496,514	S	*	9/2004	Post et al.	D34/27
D501,105	S	*	1/2005	Post et al.	D6/510
D517,769	S	*	3/2006	Post et al.	D34/21

1 Claim, 4 Drawing Sheets



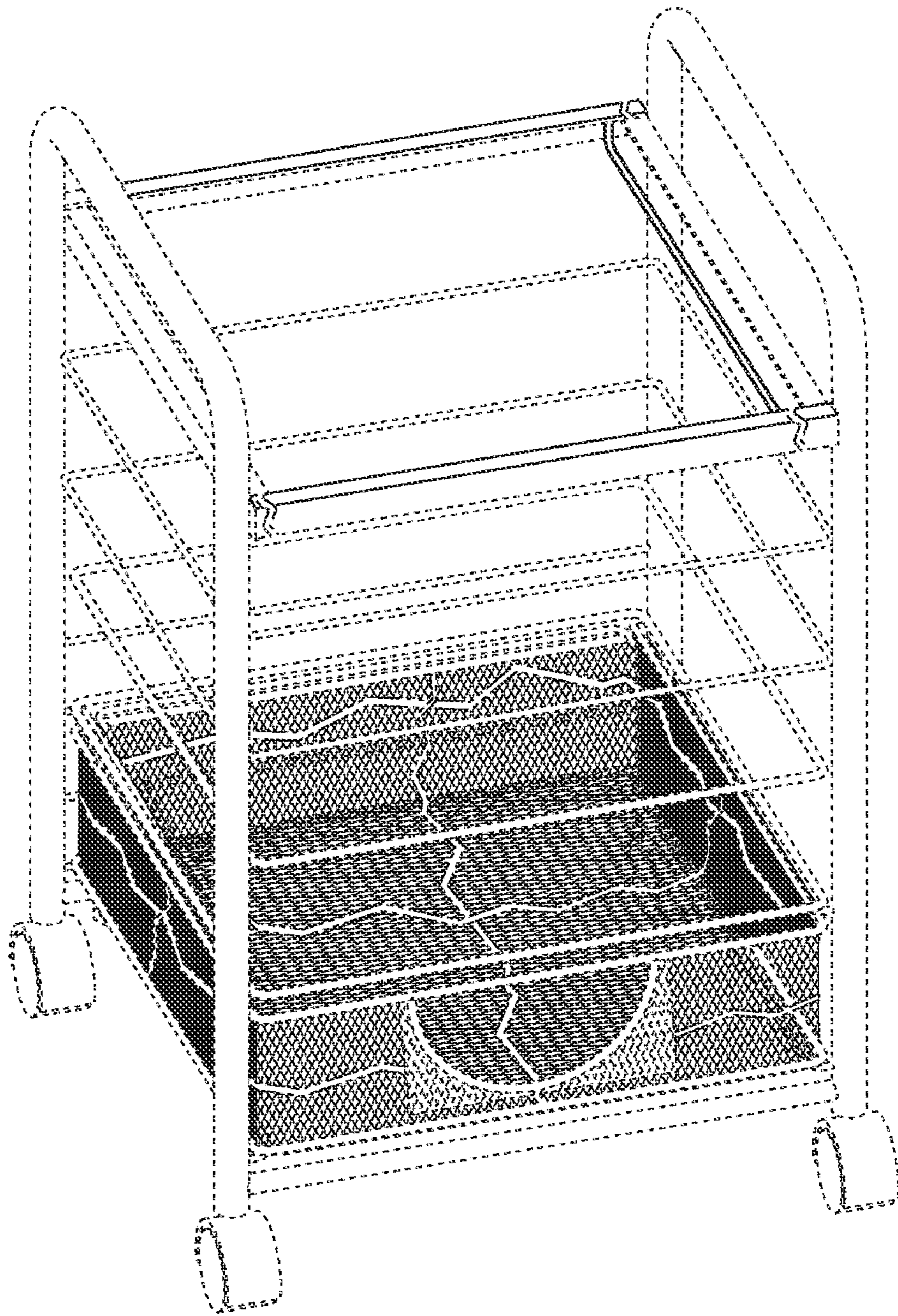


Fig. 1

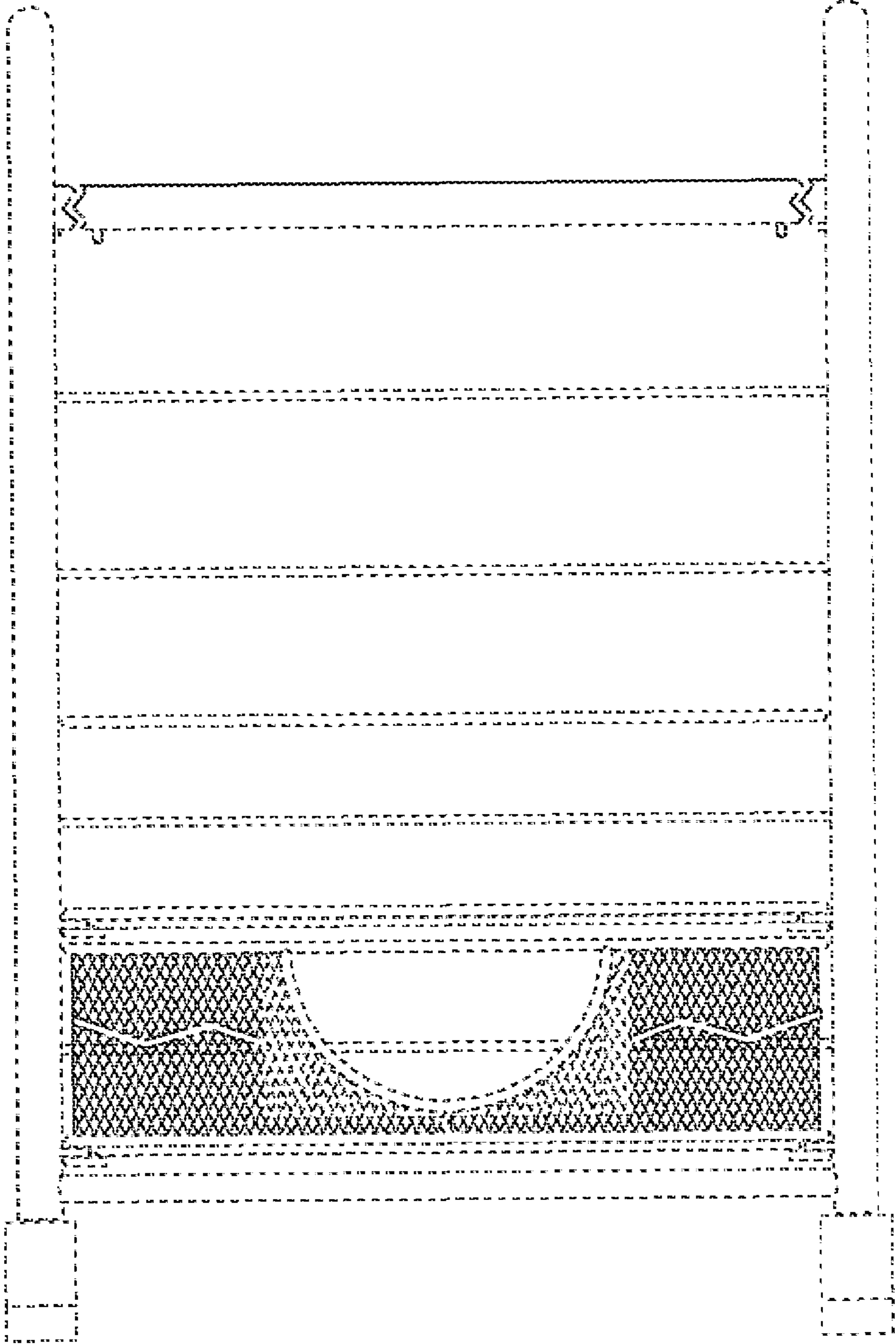


Fig. 2

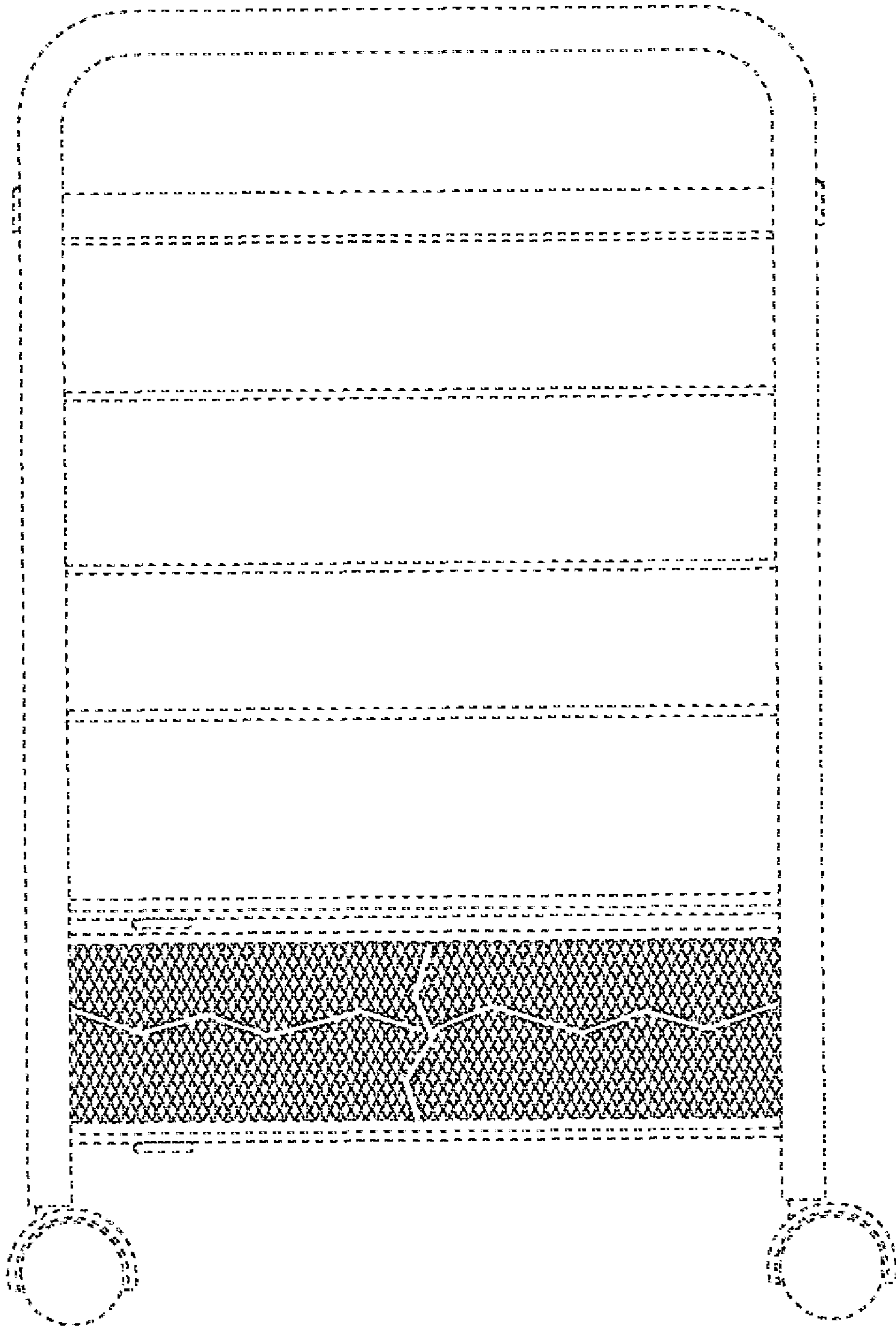


Fig. 3

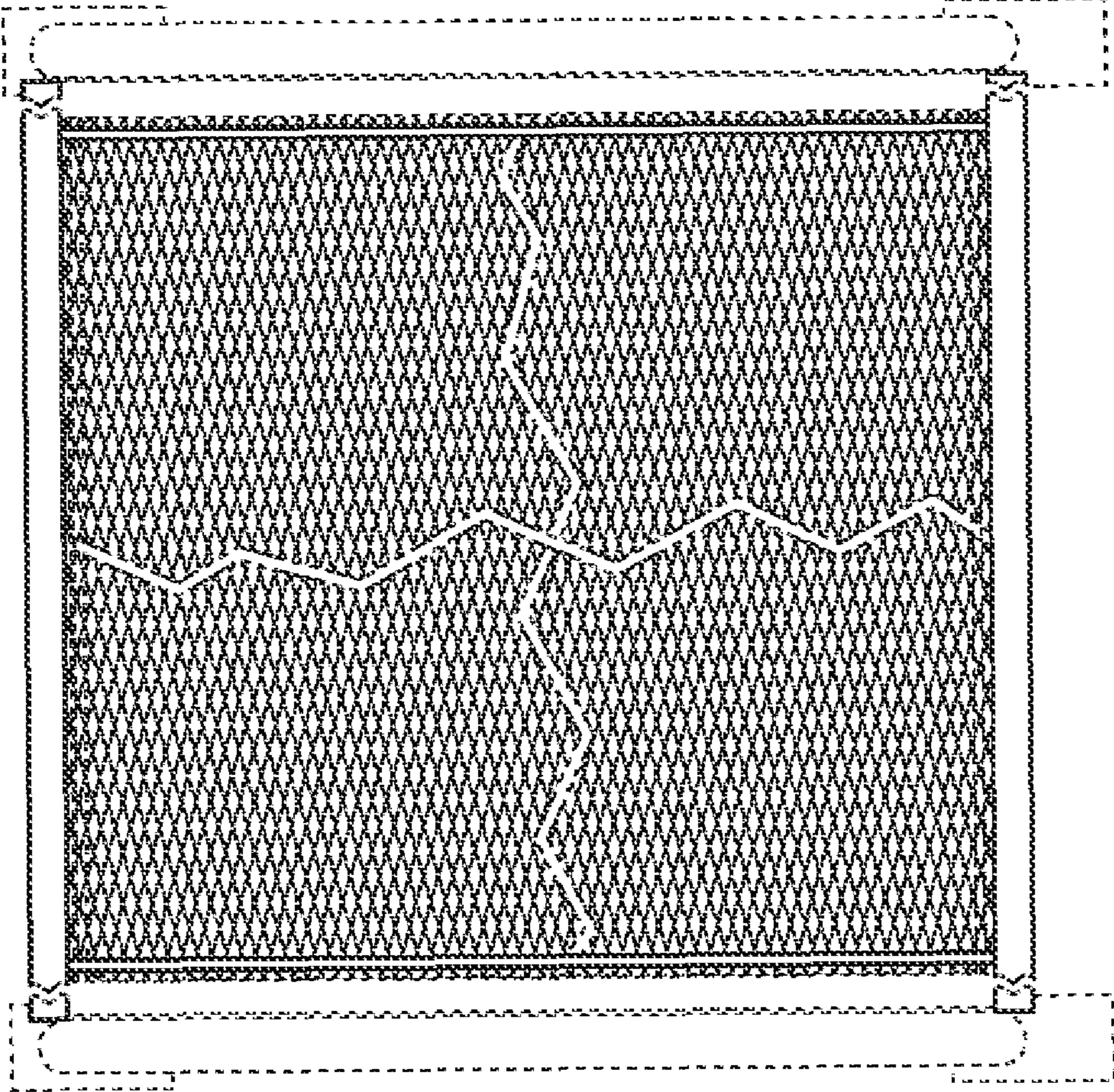


Fig. 4