



US00D610768S

(12) **United States Design Patent**
Elden Limb

(10) **Patent No.:** **US D610,768 S**
(45) **Date of Patent:** **** Feb. 23, 2010**

(54) **COLLAPSIBLE FOOD STORAGE BAG HOLDER**

(76) Inventor: **Linda Kay Elden Limb**, 1225 Archley Dr., Houston, TX (US) 77055

(**) Term: **14 Years**

(21) Appl. No.: **29/339,577**

(22) Filed: **Jul. 2, 2009**

(51) **LOC (9) Cl.** **09-09**
(52) **U.S. Cl.** **D34/6**
(58) **Field of Classification Search** D34/1,
D34/5, 6; 248/95, 97, 99, 100, 153, 164,
248/166, 175, 140; D19/56, 65; D7/601,
D7/602

See application file for complete search history.

(56) **References Cited**

U.S. PATENT DOCUMENTS

63,383	A *	4/1867	Hanks	248/97
3,298,537	A *	1/1967	Di Marco	211/200
D286,099	S *	10/1986	Risch	D34/6
4,620,683	A *	11/1986	Claydon et al.	248/97
4,723,741	A *	2/1988	Doering	248/97
4,953,815	A *	9/1990	Beymer et al.	248/97
D341,687	S *	11/1993	Park	D34/5
D356,340	S *	3/1995	Browning, Jr.	D19/91
D358,704	S *	5/1995	Zeisel	D34/5
D413,147	S *	8/1999	Ruff et al.	D19/88

6,231,015	B1 *	5/2001	Kun	248/164
6,508,443	B1 *	1/2003	Andreasson	248/97
6,539,563	B1 *	4/2003	Hsia	5/93.2
6,722,618	B1 *	4/2004	Wu	248/166
7,318,569	B1 *	1/2008	Bilotta	248/97
2007/0164173	A1 *	7/2007	Li	248/97

* cited by examiner

Primary Examiner—Cynthia E Ramirez

(74) *Attorney, Agent, or Firm*—Buskop Law Group, PC; Wendy Buskop

(57) **CLAIM**

The ornamental design for a collapsible food storage bag holder, as shown and described.

DESCRIPTION

FIG. 1 is a left side view of the collapsible food storage bag holder;

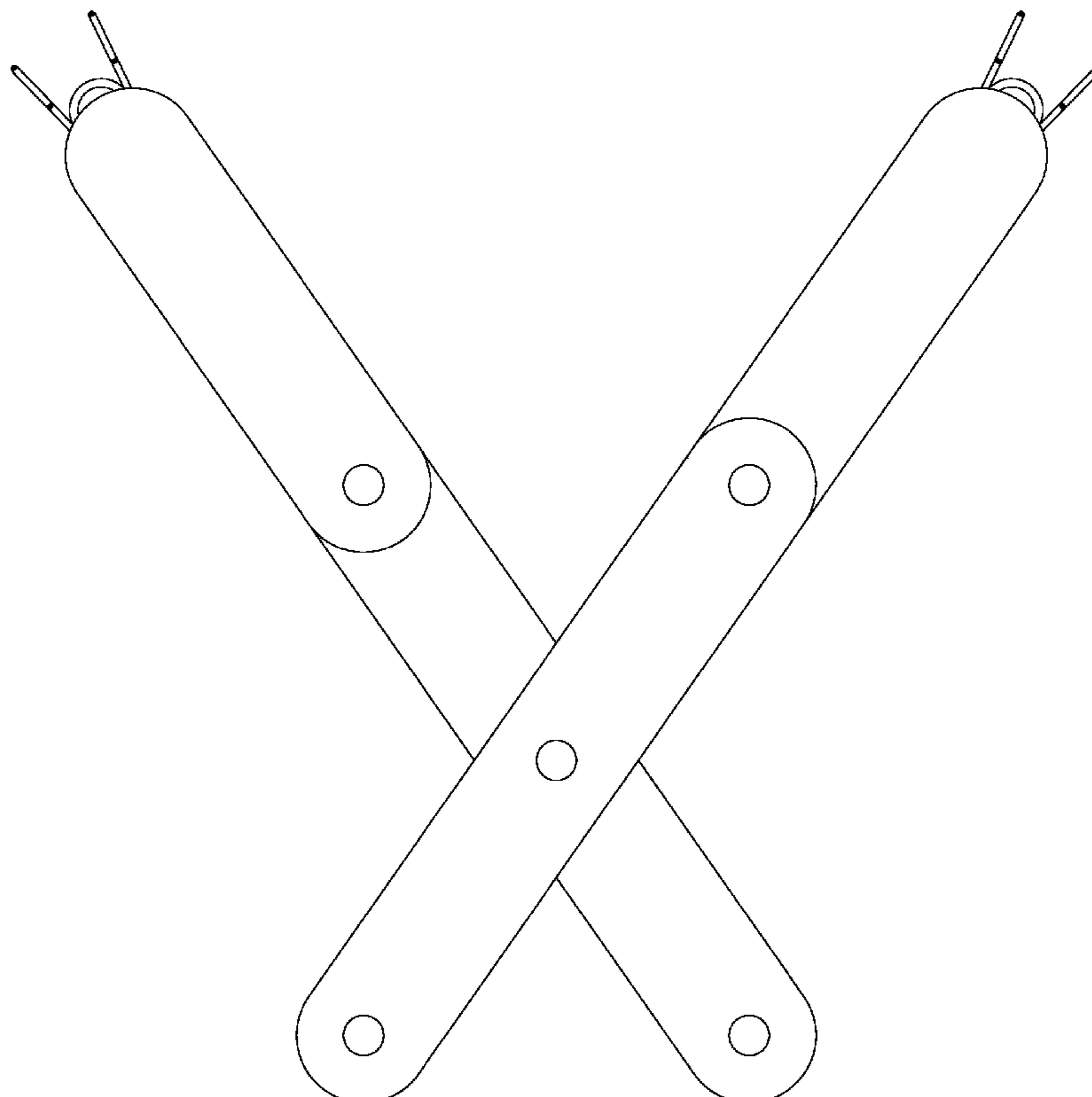
FIG. 2 is a right side view of the collapsible food storage bag holder;

FIG. 3 is a front view of the collapsible food storage bag holder;

FIG. 4 is a back view of the collapsible food storage bag holder; and,

FIG. 5 is a perspective view of the collapsible food storage bag holder.

1 Claim, 5 Drawing Sheets



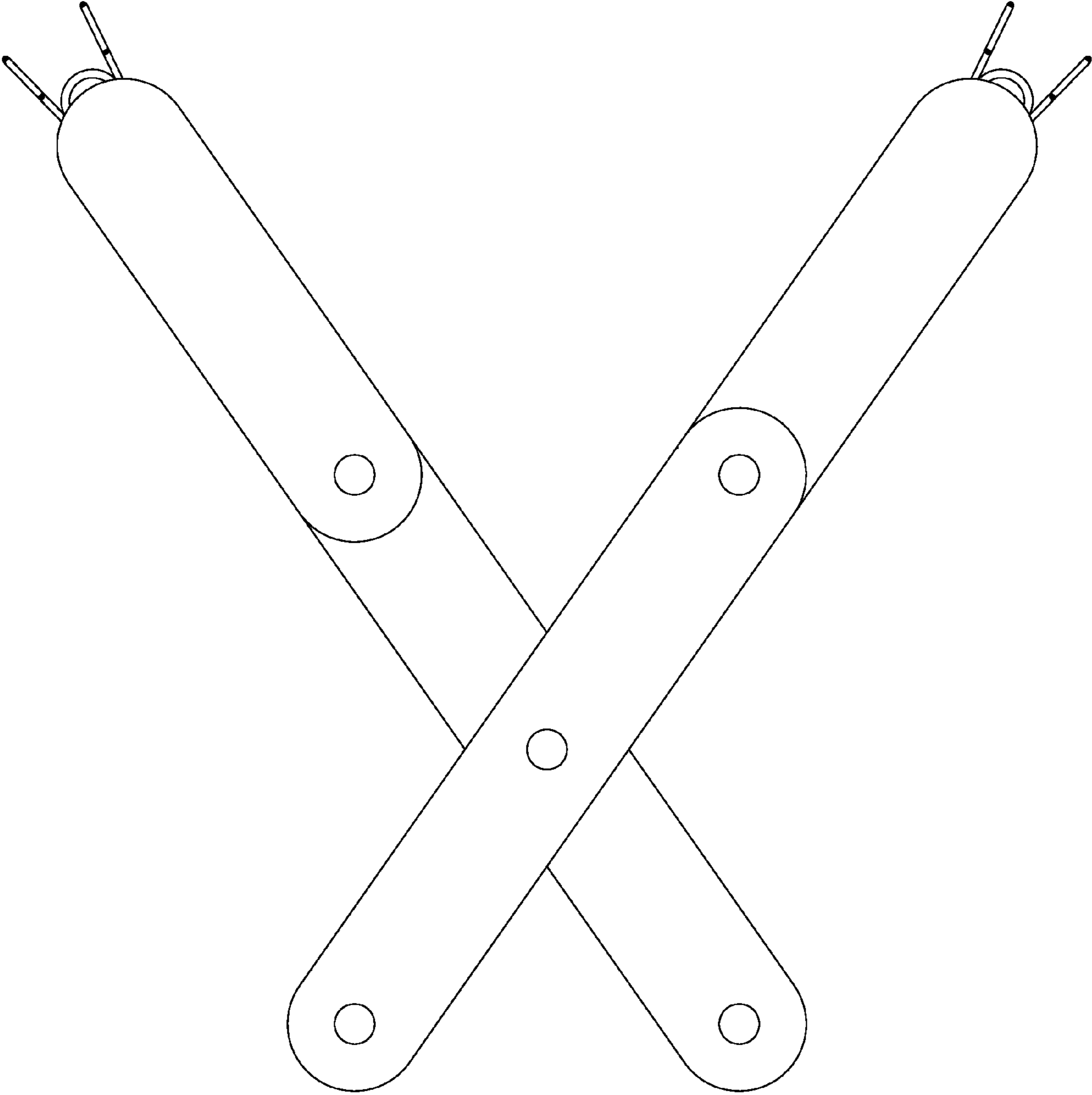


FIGURE 1

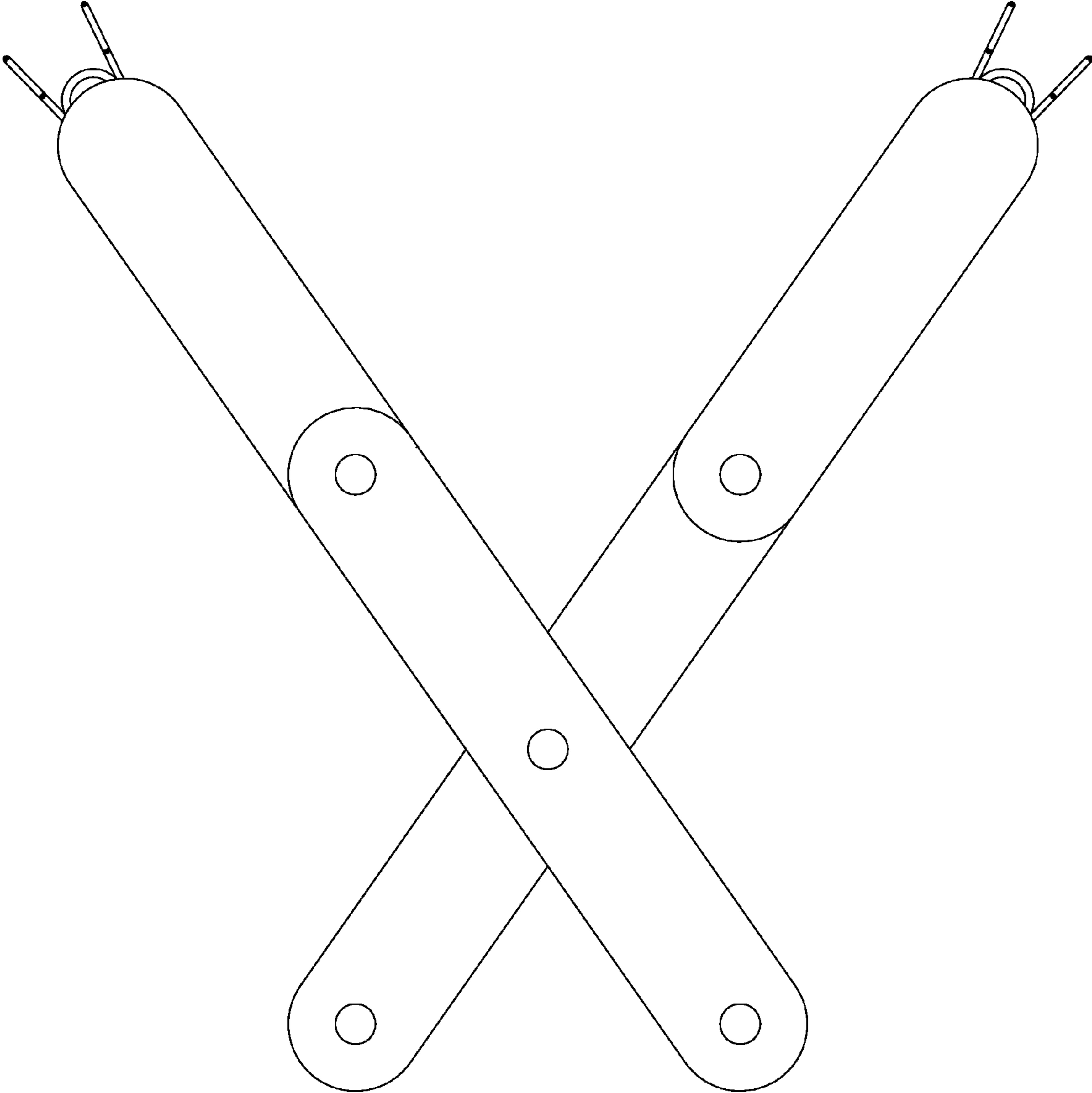


FIGURE 2

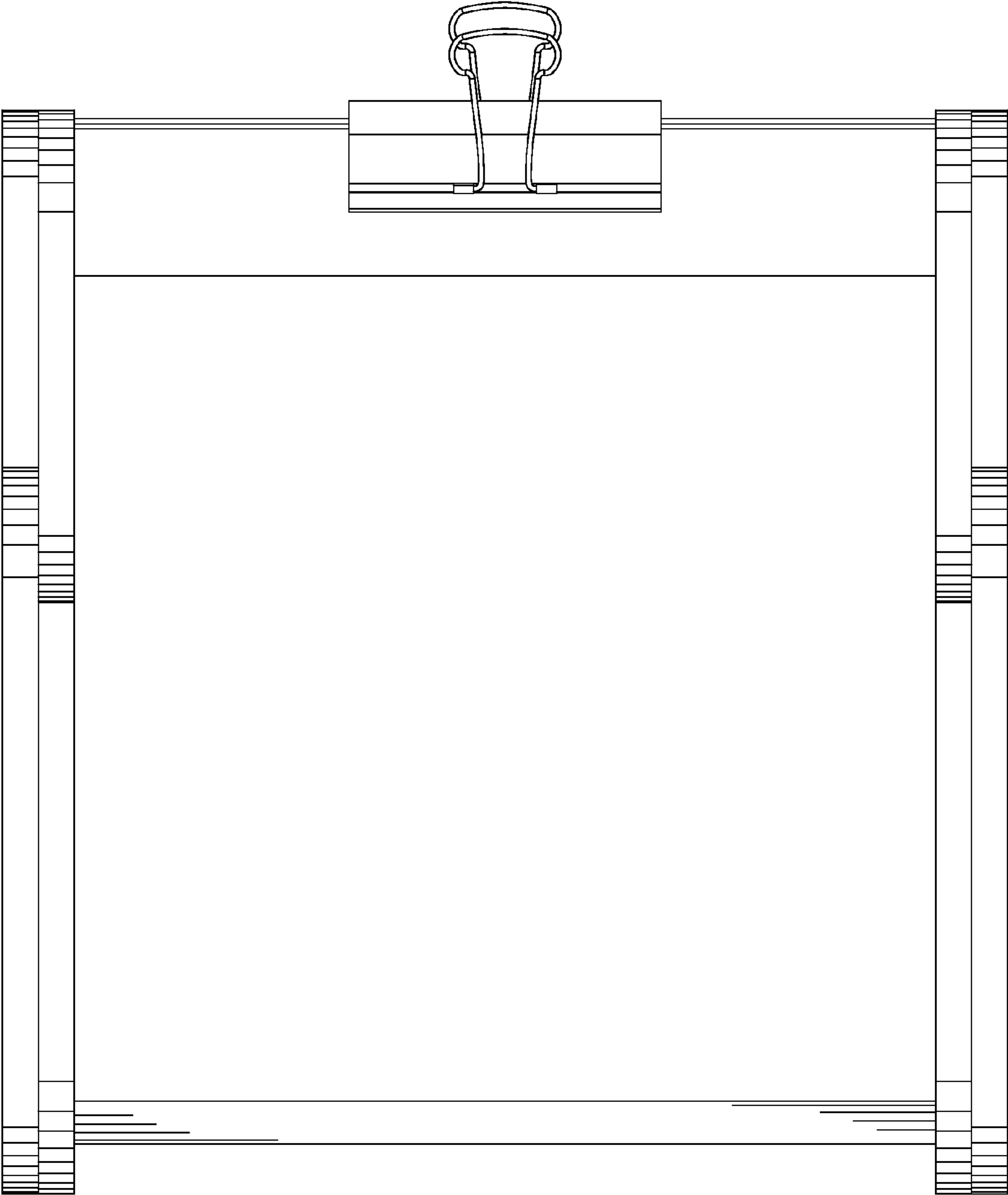


FIGURE 3

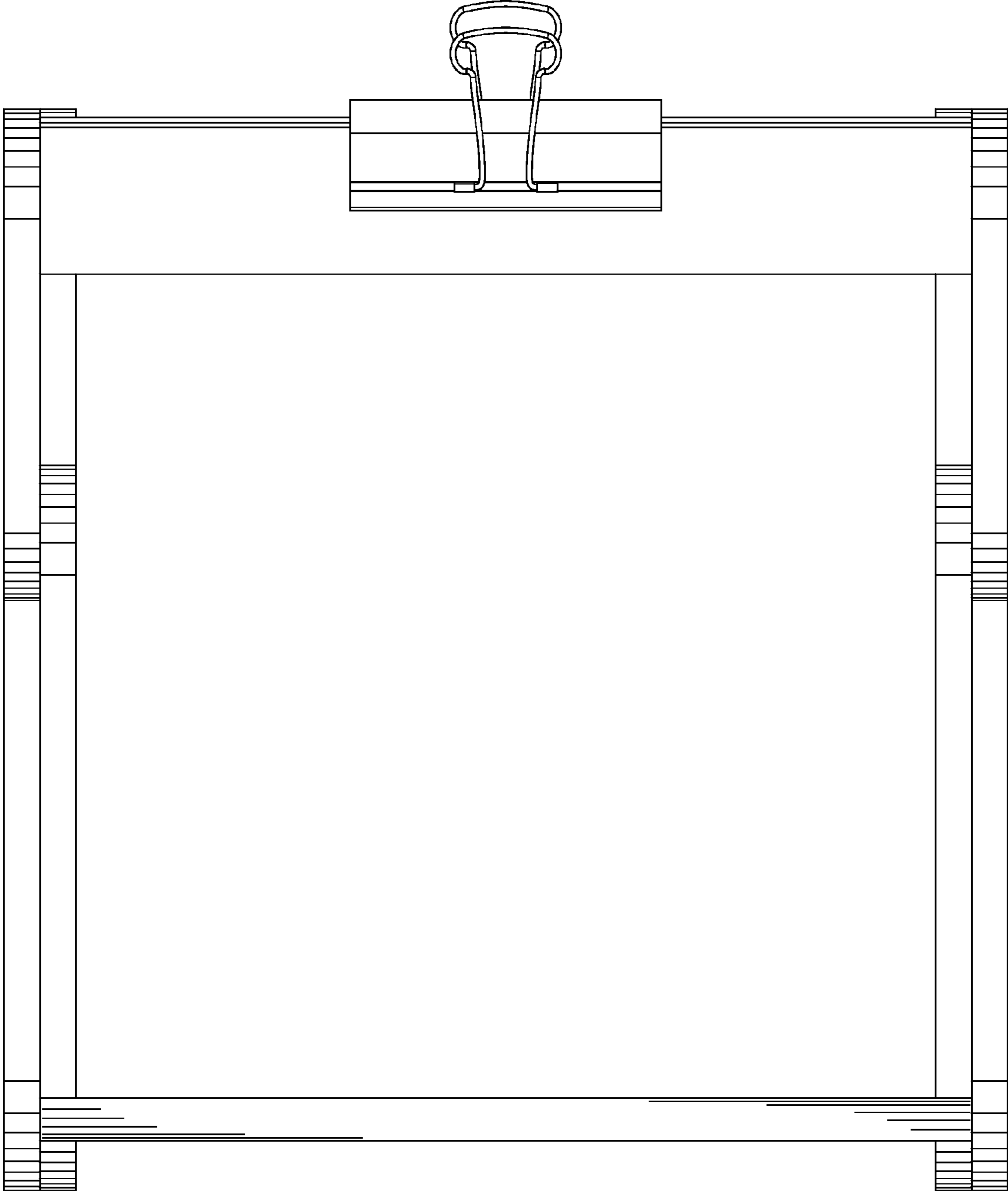


FIGURE 4

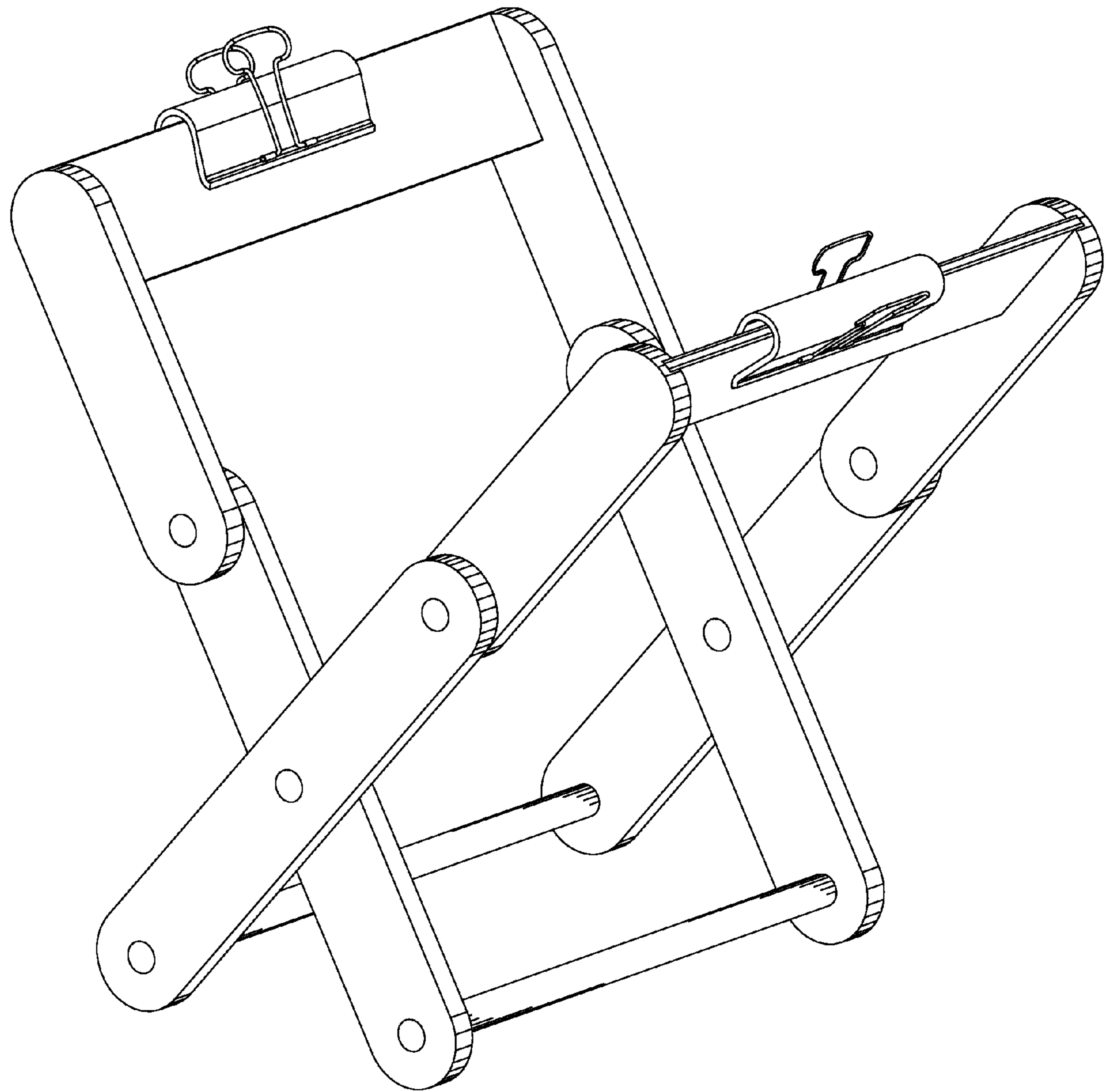


FIGURE 5