



US00D610763S

(12) **United States Design Patent**
Massip et al.

(10) **Patent No.:** **US D610,763 S**
(45) **Date of Patent:** **** Feb. 23, 2010**

(54) **LAUNDRY IRON**

(75) Inventors: **Victor Massip**, Nantes (FR); **Laurent Lebot**, Nantes (FR)

(73) Assignee: **Rowenta Werke GmbH**, Offenbach (DE)

(**) Term: **14 Years**

(21) Appl. No.: **29/320,907**

(22) Filed: **Jul. 8, 2008**

(30) **Foreign Application Priority Data**

Jan. 17, 2008 (FR) 08 0209

(51) **LOC (9) Cl.** **07-05**

(52) **U.S. Cl.** **D32/69**

(58) **Field of Classification Search** D32/68-73;
38/69, 74-75, 77.1-77.9, 79, 88, 90, 93;
219/245-252, 259

See application file for complete search history.

(56) **References Cited**

U.S. PATENT DOCUMENTS

D370,102 S *	5/1996	Muller	D32/69
D371,878 S *	7/1996	Muller	D32/69
D415,865 S *	10/1999	Littmann et al.	D32/70
D418,649 S *	1/2000	Stutzer et al.	D32/70
D435,156 S *	12/2000	Gudefin	D32/69
D480,524 S *	10/2003	Wendt	D32/69
D487,832 S *	3/2004	Morrison	D32/69
D531,370 S *	10/2006	Renault	D32/70
D538,991 S *	3/2007	Littmann	D32/70
D555,314 S *	11/2007	Leslie et al.	D32/70
D558,946 S	1/2008	Massip et al.		
D568,017 S *	4/2008	Choi	D32/35
D590,562 S *	4/2009	Garman et al.	D32/69
D595,019 S *	6/2009	Poon	D32/69

FOREIGN PATENT DOCUMENTS

EM	000433479	8/2006
EM	000433305	3/2007

FR	000982207.0001	4/1998
WO	DM/049003	8/1999
WO	DM/066355	1/2005

OTHER PUBLICATIONS

U.S. Appl. No. 29/320,907, filed Jul. 8, 2008, Massip, et al.
U.S. Appl. No. 29/329,470, filed Dec. 16, 2008, Massip, et al.

(Continued)

Primary Examiner—Rosemary K Tarca
(74) *Attorney, Agent, or Firm*—Oblon, Spivak, McClelland, Maier & Neustadt, L.L.P.

(57) **CLAIM**

The ornamental design for a laundry iron, as shown and described.

DESCRIPTION

FIG. 1 is a top, left, front perspective view of the laundry iron, showing our design in a closed position;

FIG. 2 is a top, left, rear view thereof;

FIG. 3 is a right view thereof;

FIG. 4 is a left view thereof;

FIG. 5 is a front view thereof;

FIG. 6 is a rear view thereof;

FIG. 7 is a top view thereof; and

FIG. 8 is a bottom view thereof.

FIG. 9 is a top, left, front perspective view of the laundry iron, showing our design in an open position;

FIG. 10 is a top, left, rear view thereof;

FIG. 11 is a right view thereof;

FIG. 12 is a left view thereof;

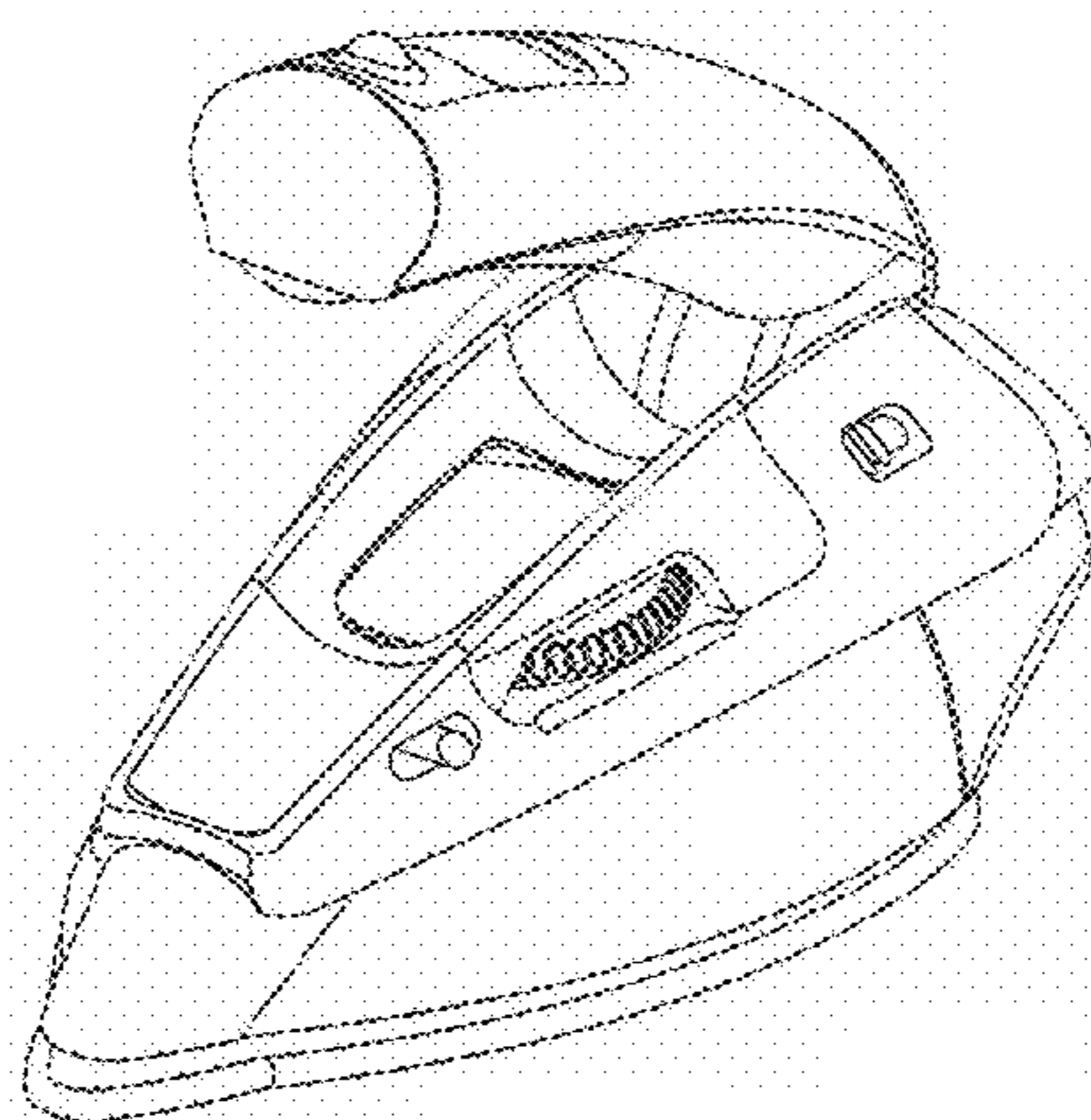
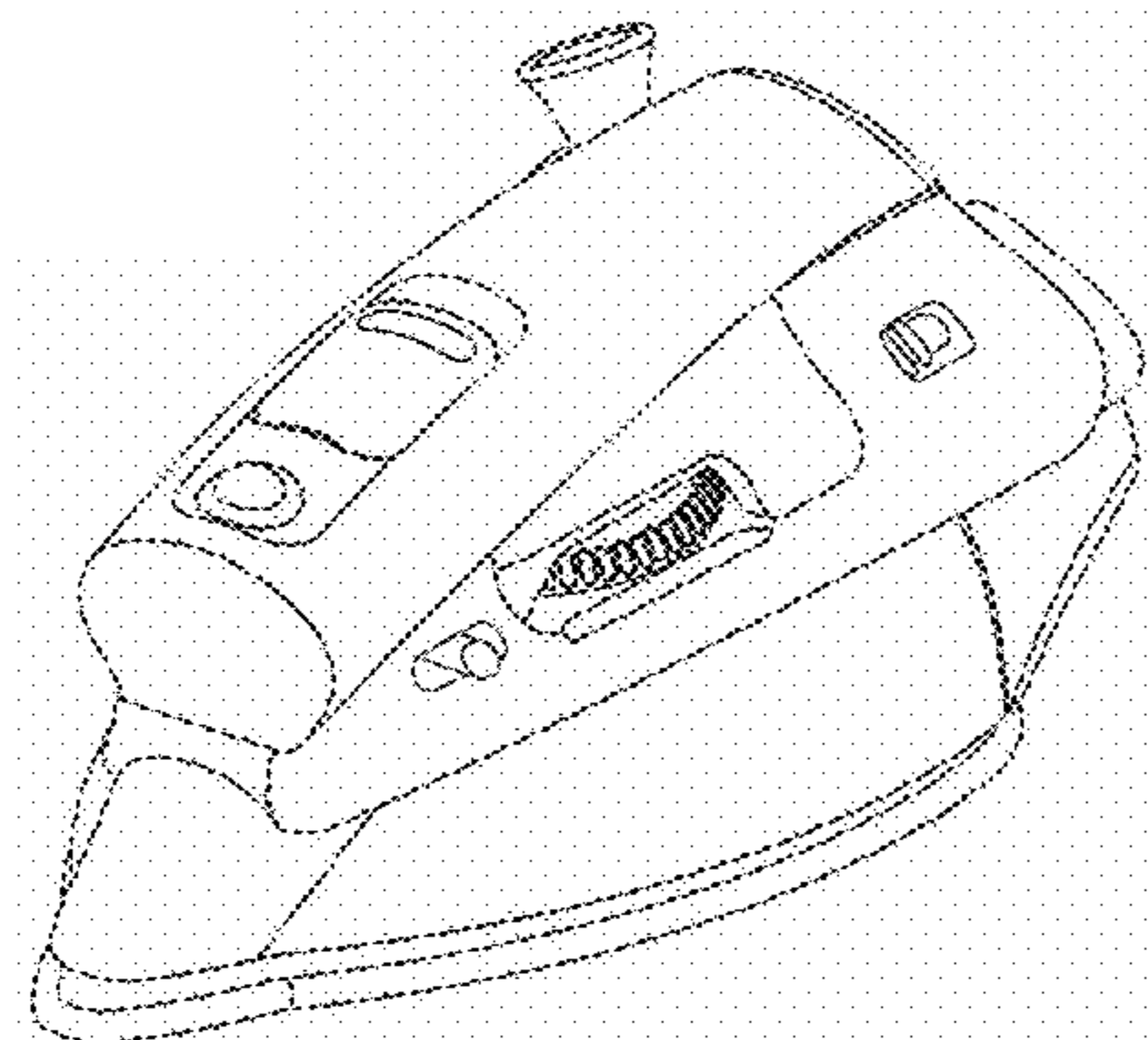
FIG. 13 is a front view thereof;

FIG. 14 is a rear view thereof;

FIG. 15 is a top view thereof; and,

FIG. 16 is a bottom view thereof.

1 Claim, 16 Drawing Sheets



OTHER PUBLICATIONS

Internet print-out: Philips Caravelle 52 Iron from Singapore, Sub Kuch Milta Hai Services, one page, www.mallbazar.com.

Internet print-out: Black & Decker TravelPro Travel Iron, two pages, www.drugstore.com.

Internet print-out: Steam Iron BA 3233, one page, www.severin.com.

Internet print-out: Steam Iron BA 3239, one page, www.severin.com.

U.S. Appl. No. 29/320,907, filed Jul. 8, 2008, Massip, et al.

U.S. Appl. No. 29/335,901, filed Apr. 24, 2009, Massip, et al.

U.S. Appl. No. 29/335,801, filed Apr. 22, 2009, Massip, et al.

U.S. Appl. No. 29/320,907, filed Jul. 8, 2008, Massip, et al.

* cited by examiner

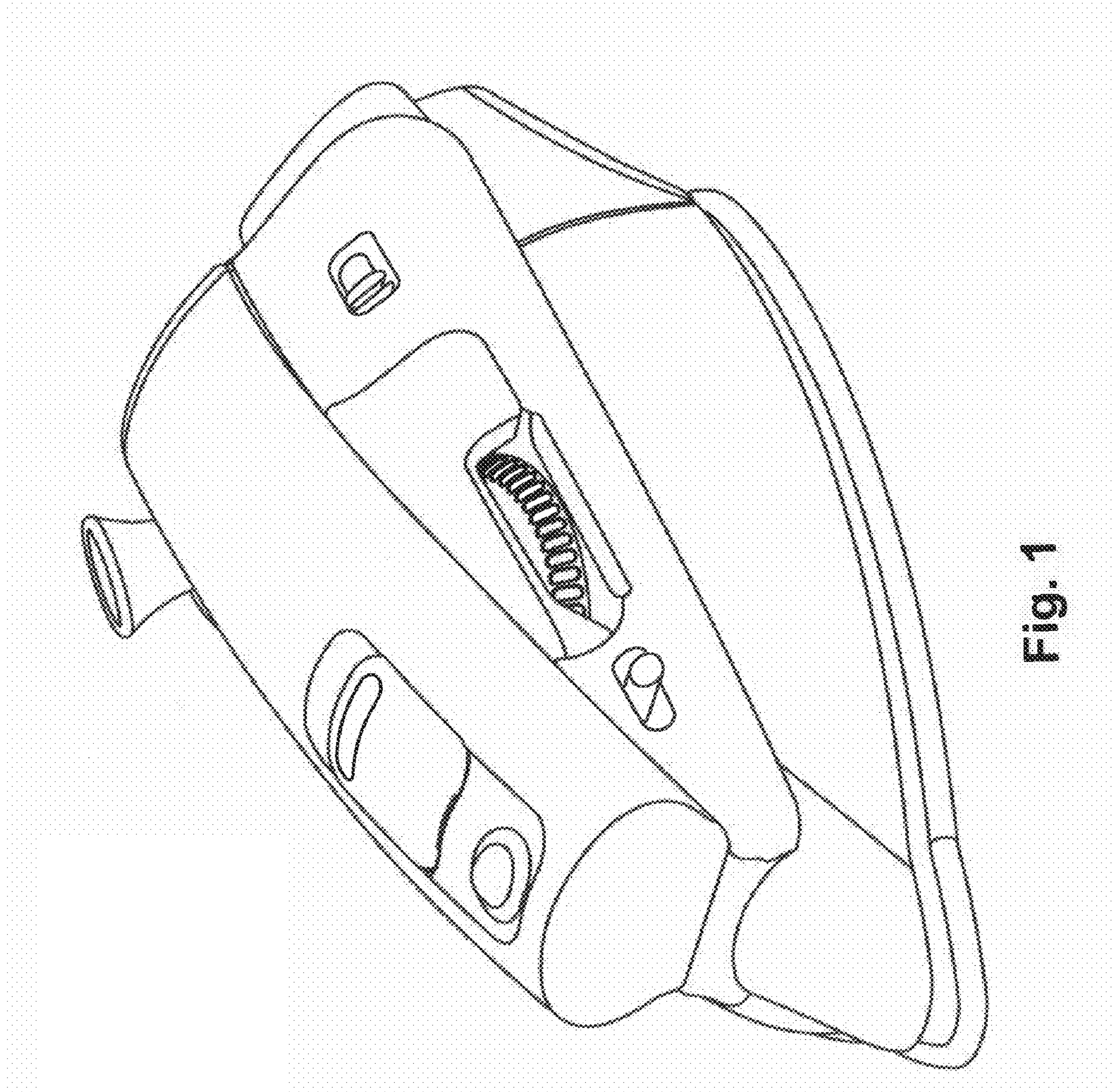


Fig. 1

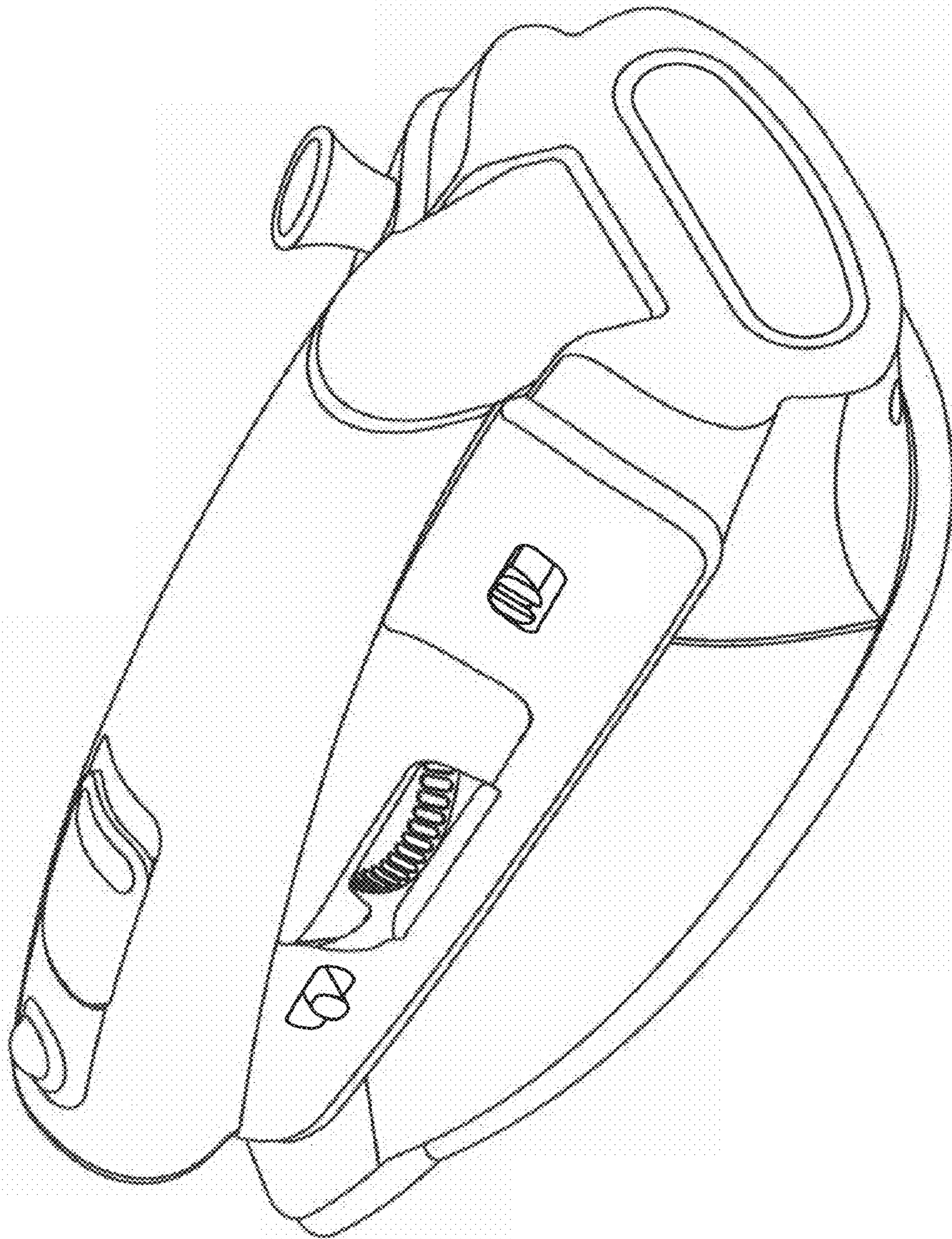


Fig. 2

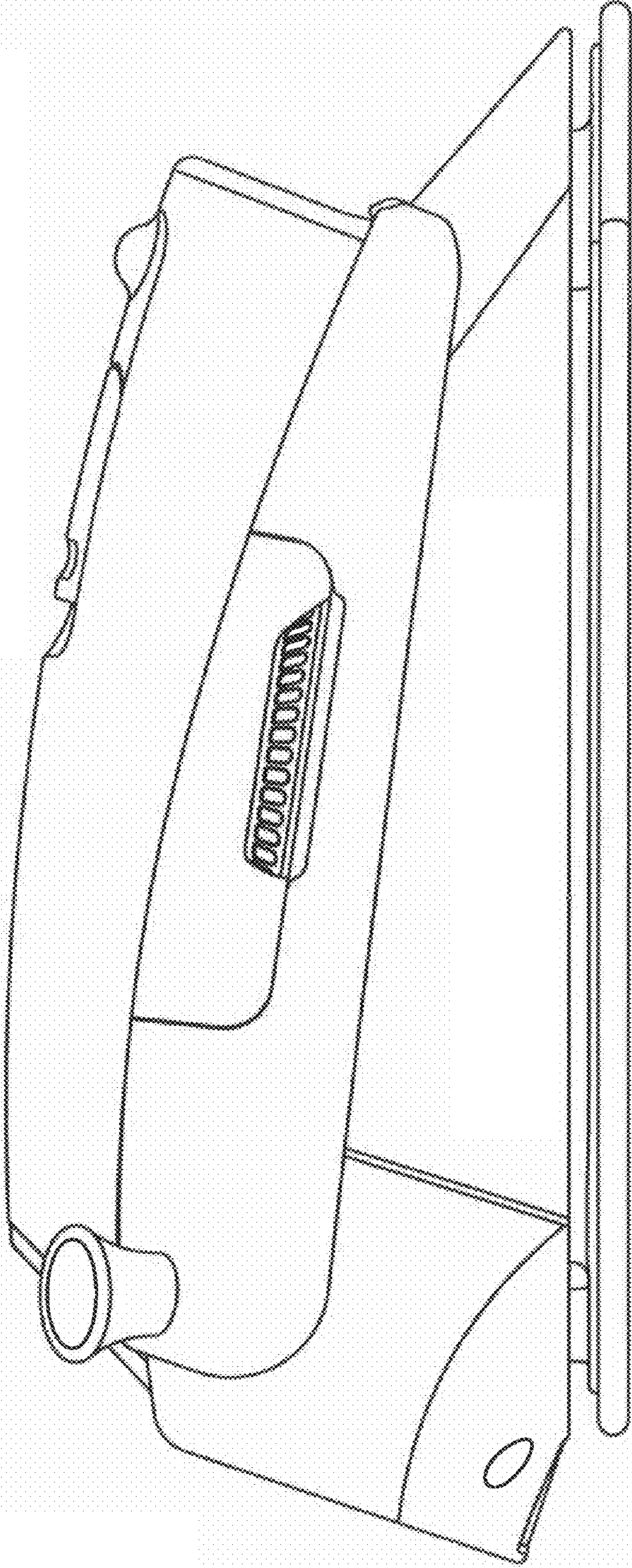


Fig. 3

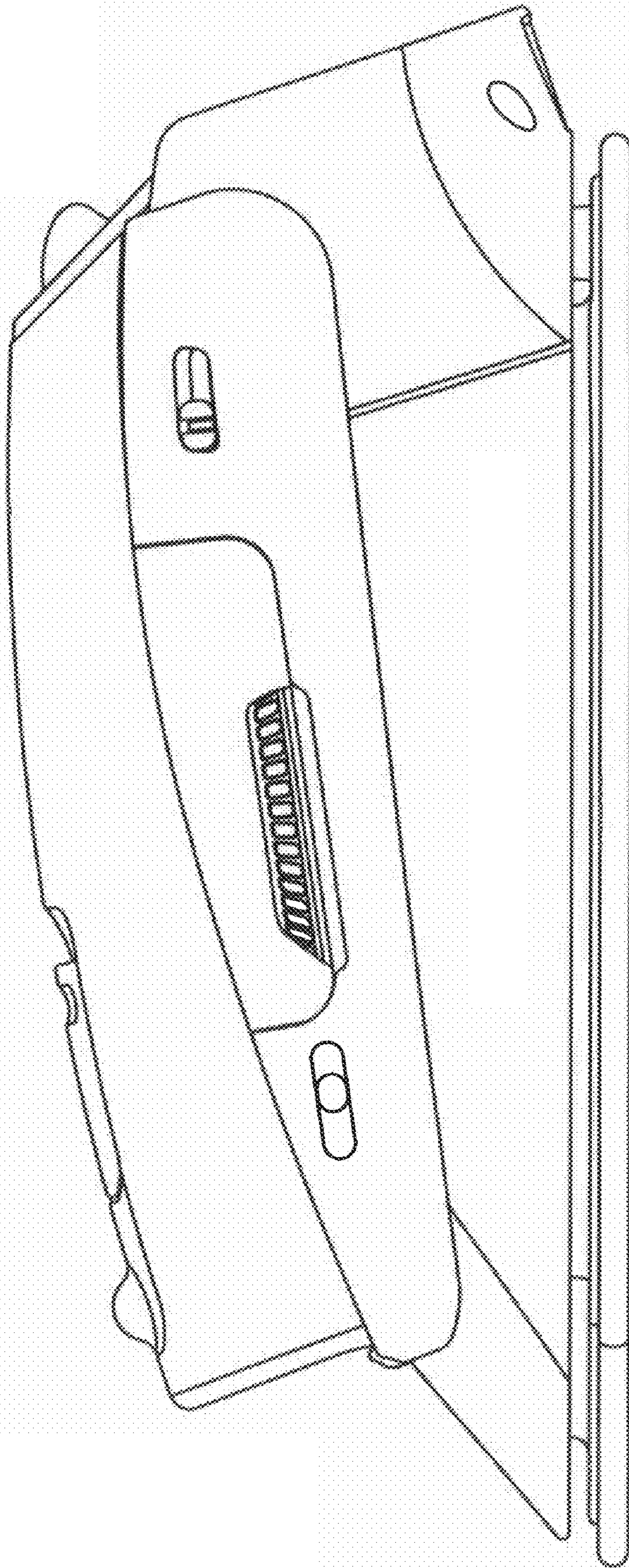


Fig. 4

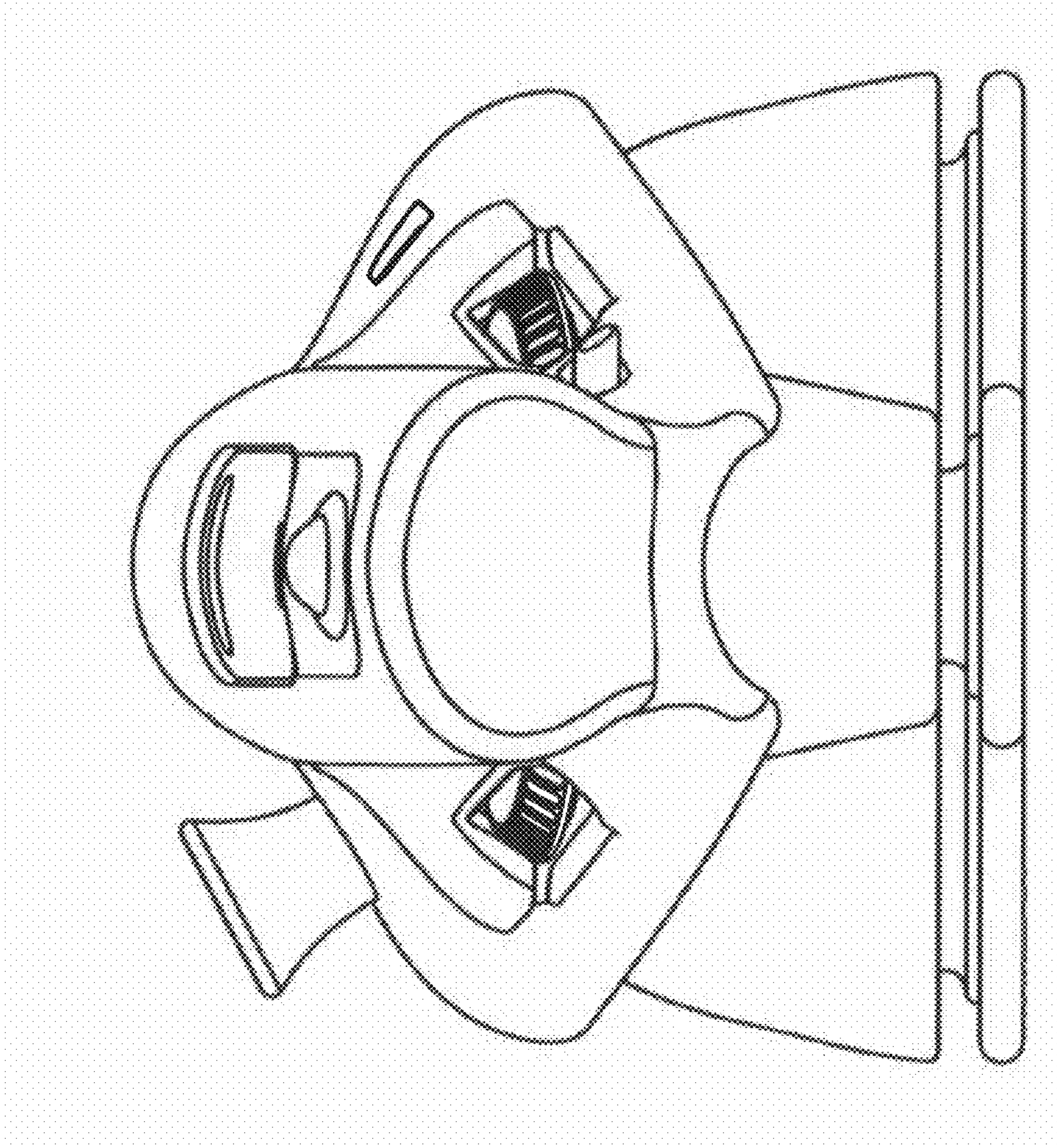


Fig. 5

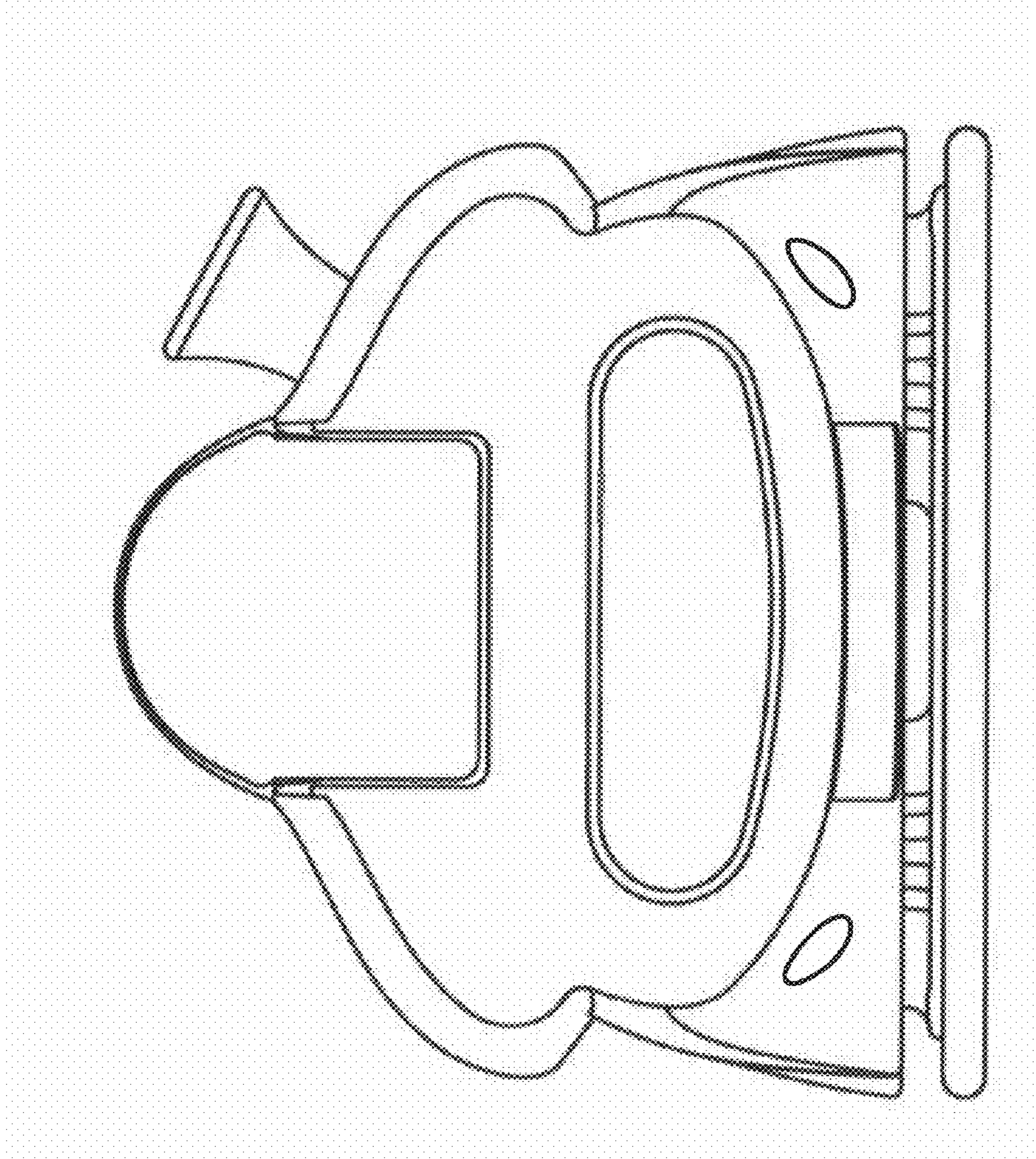


Fig. 6

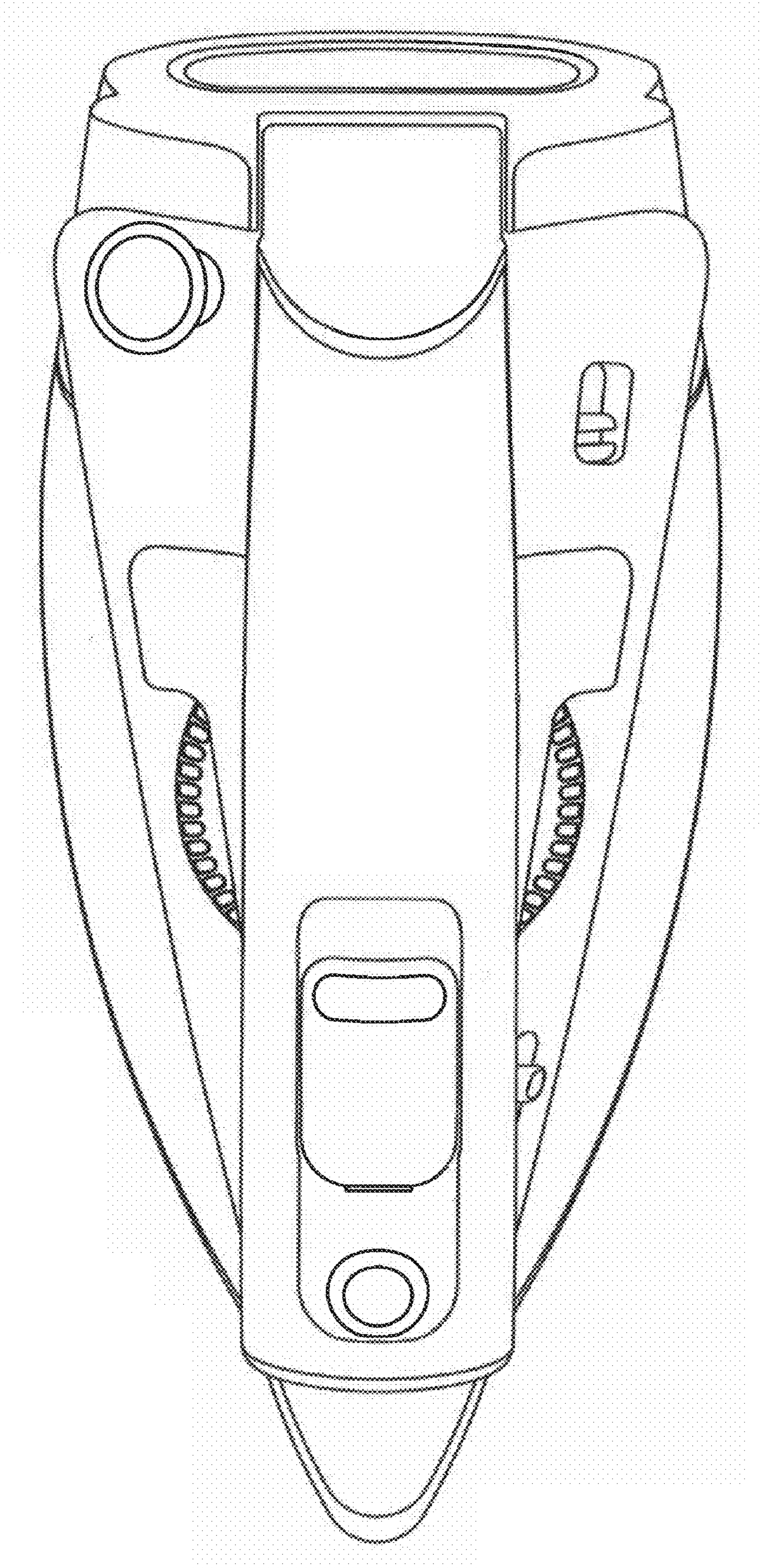


Fig. 7

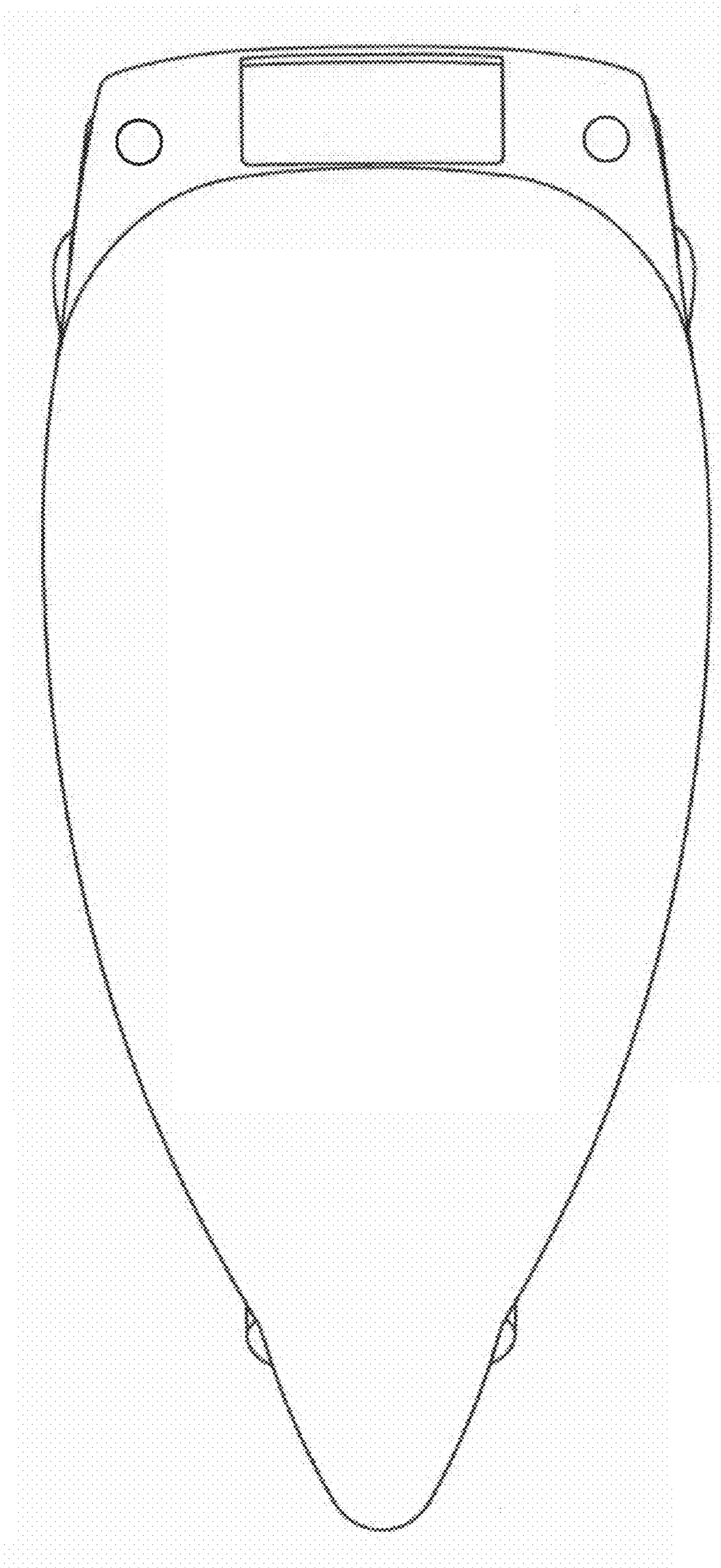


Fig. 8

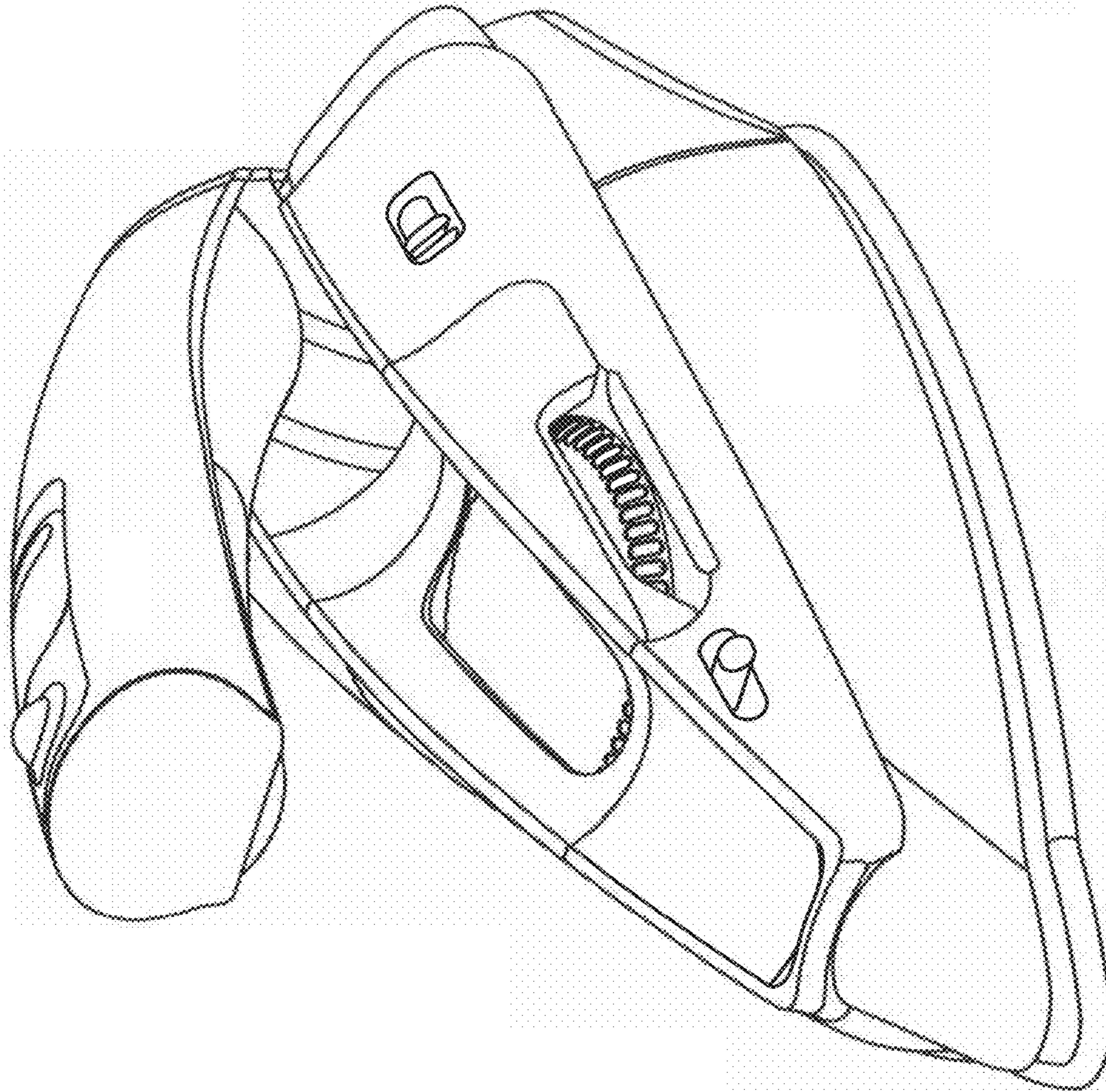


Fig. 9

FIG. 10

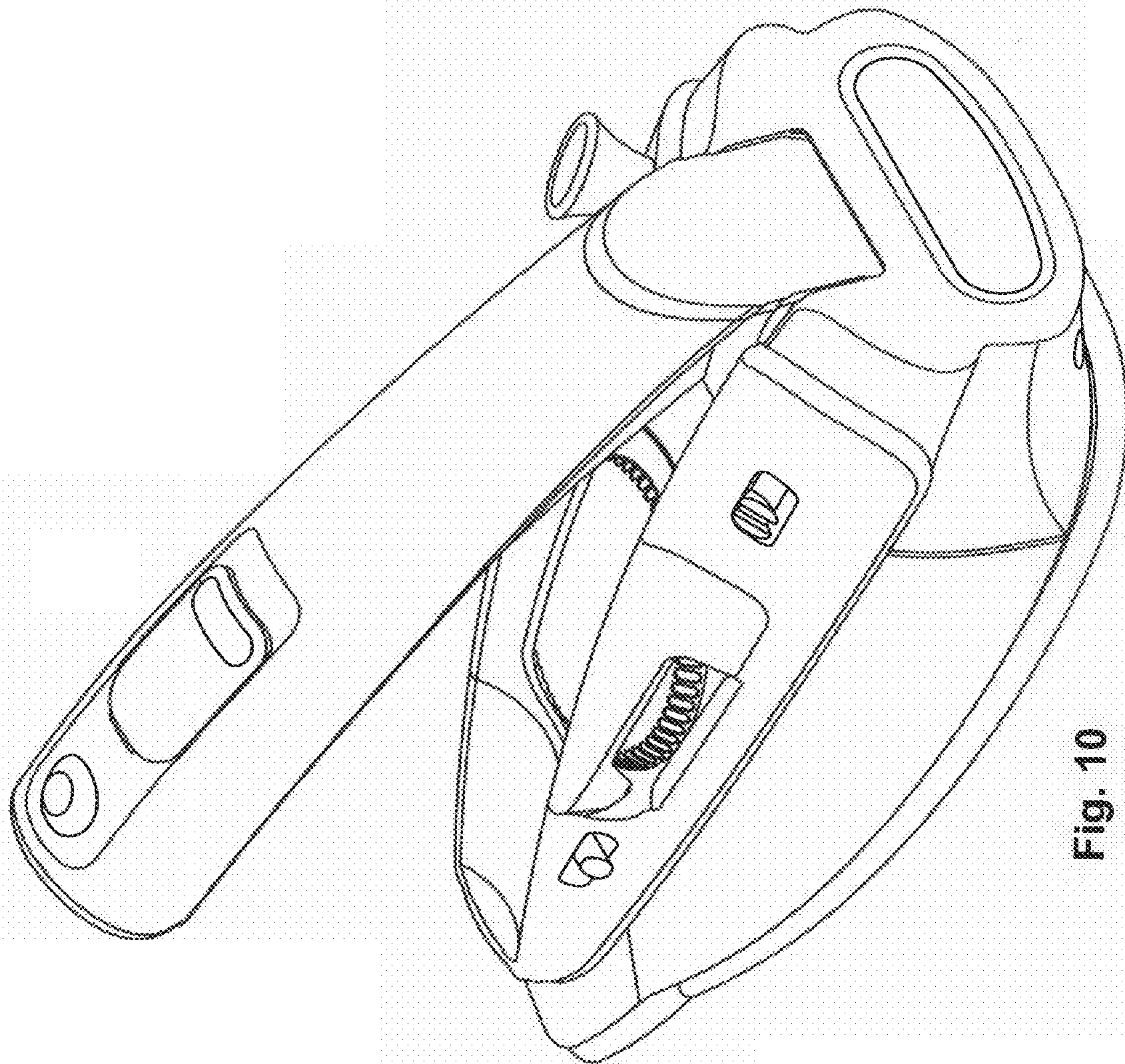


Fig. 10

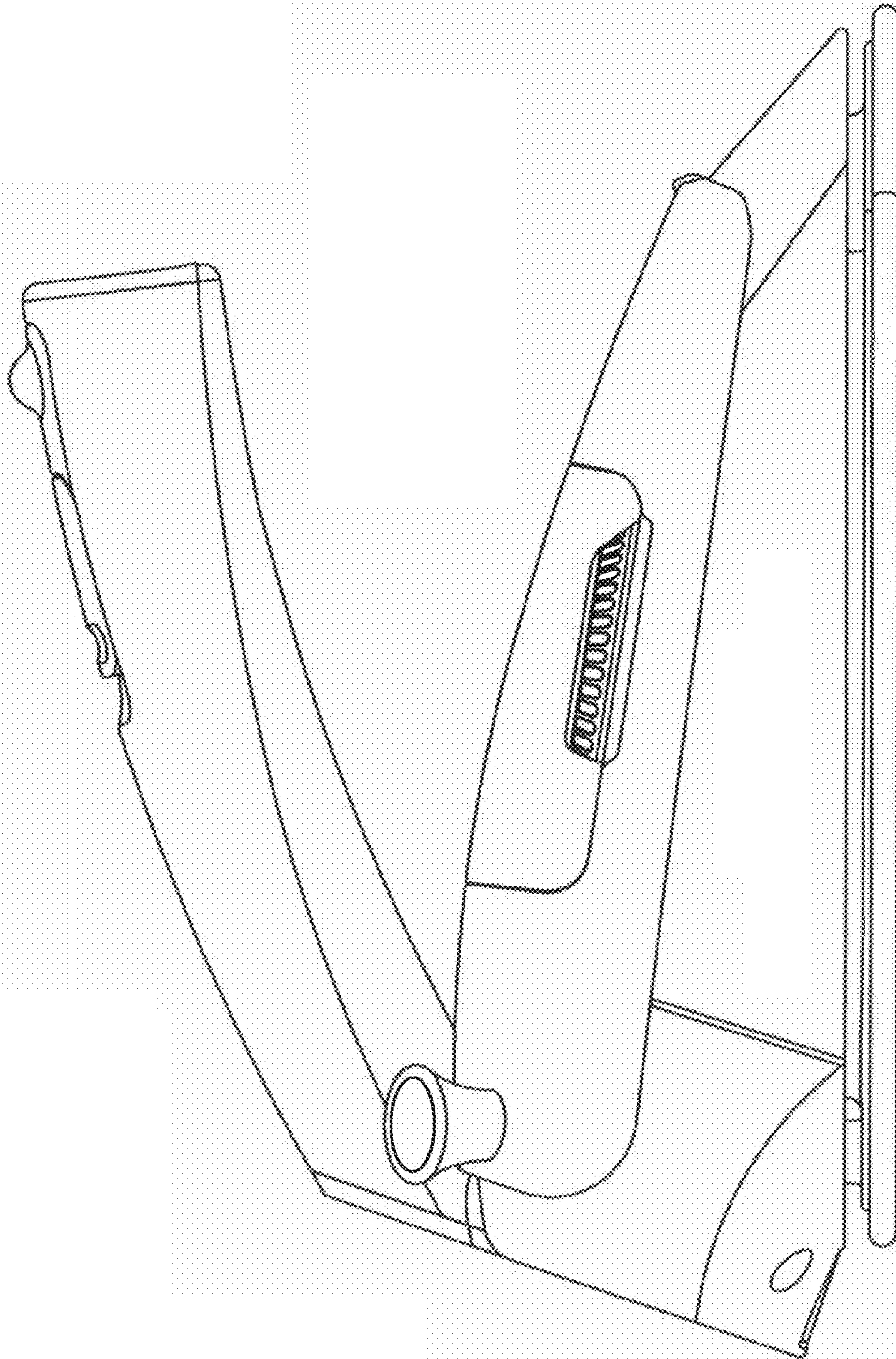


Fig. 11

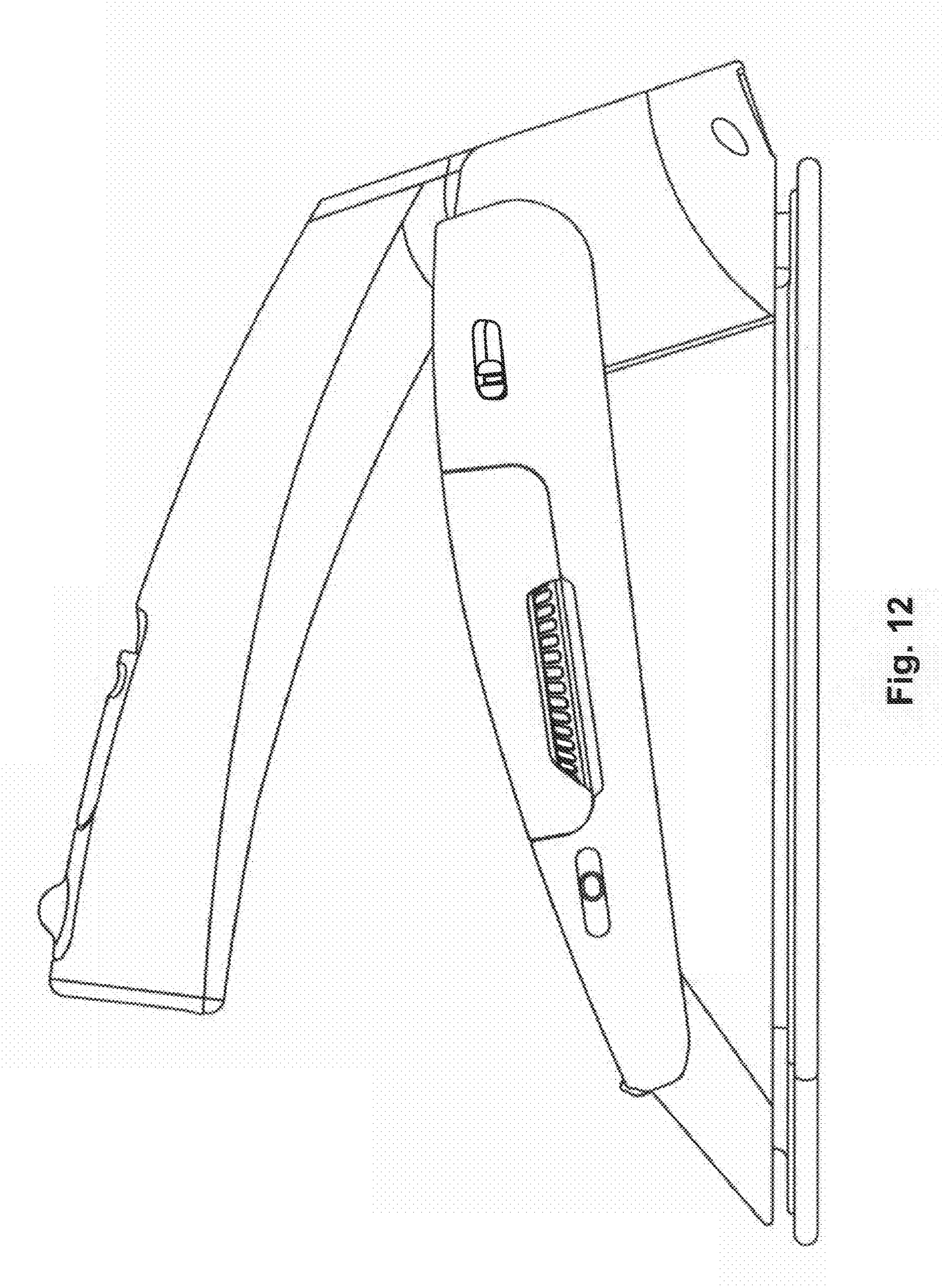


Fig. 12

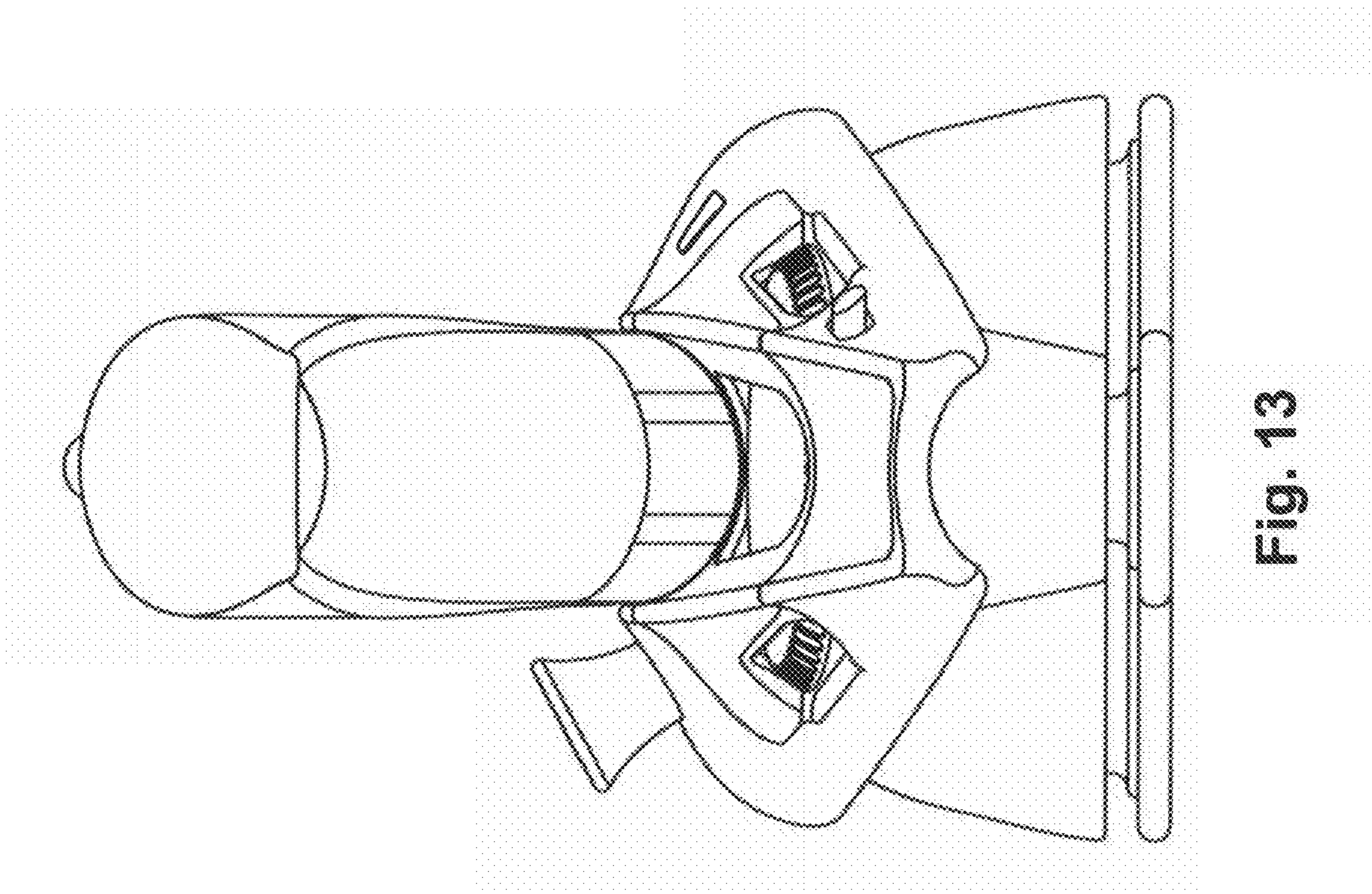


Fig. 13

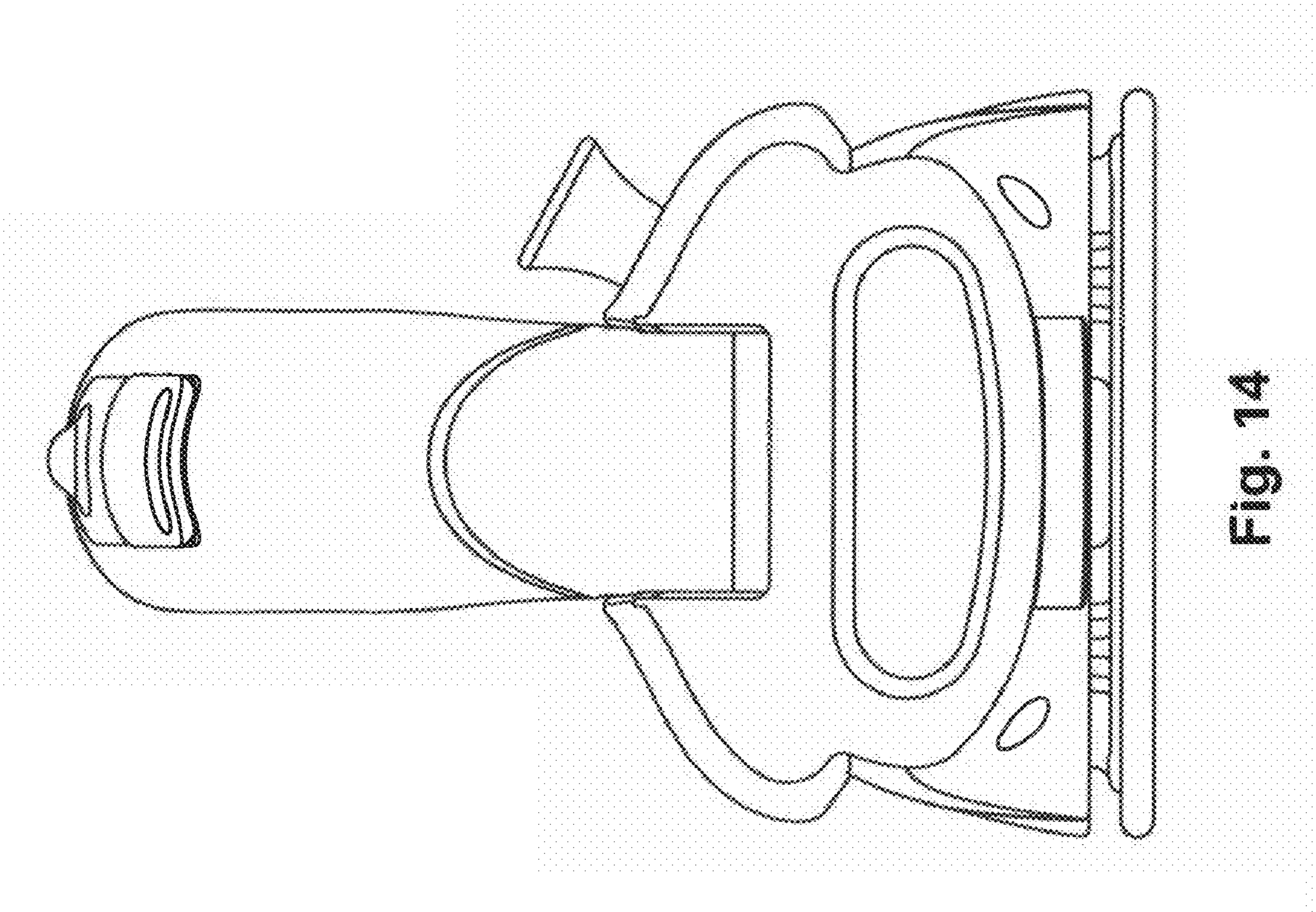


Fig. 14

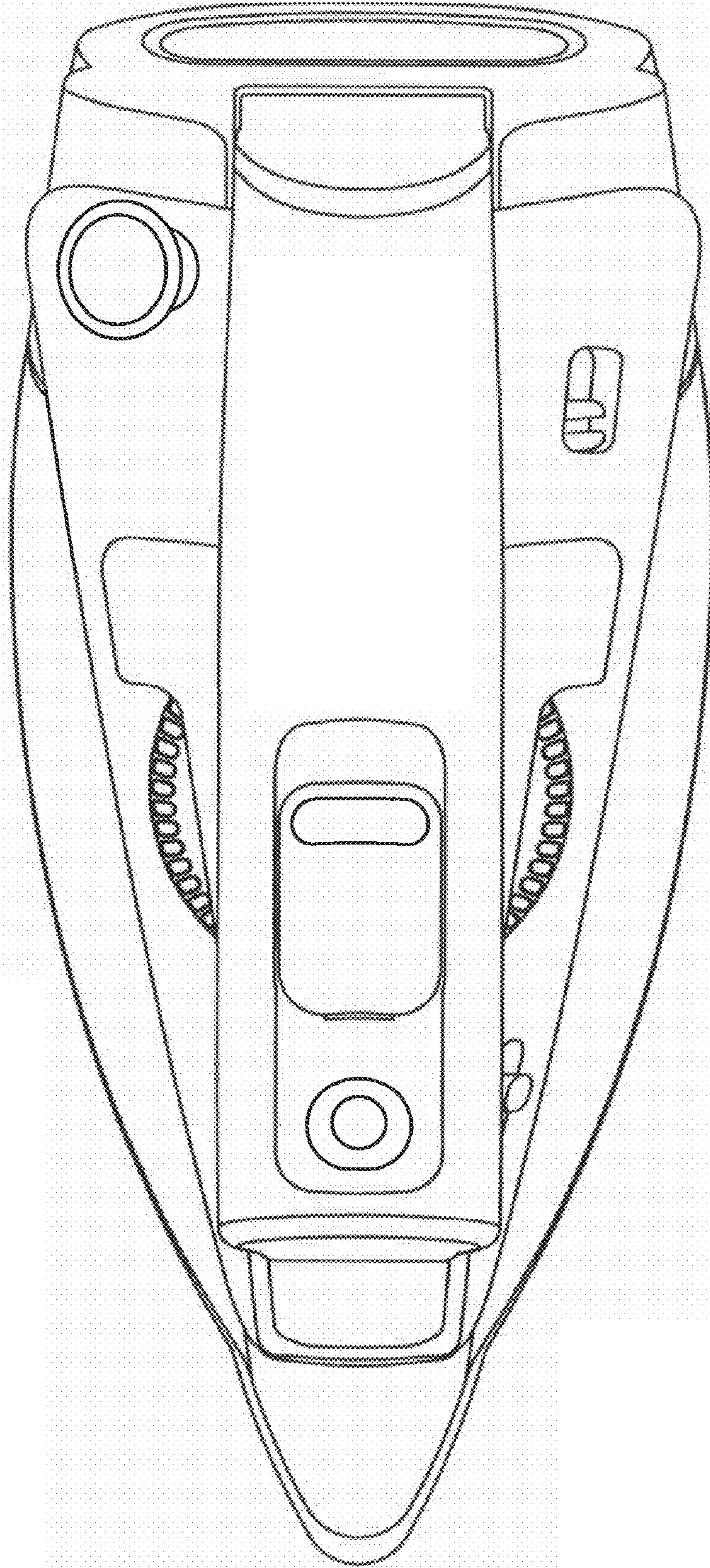


Fig. 15

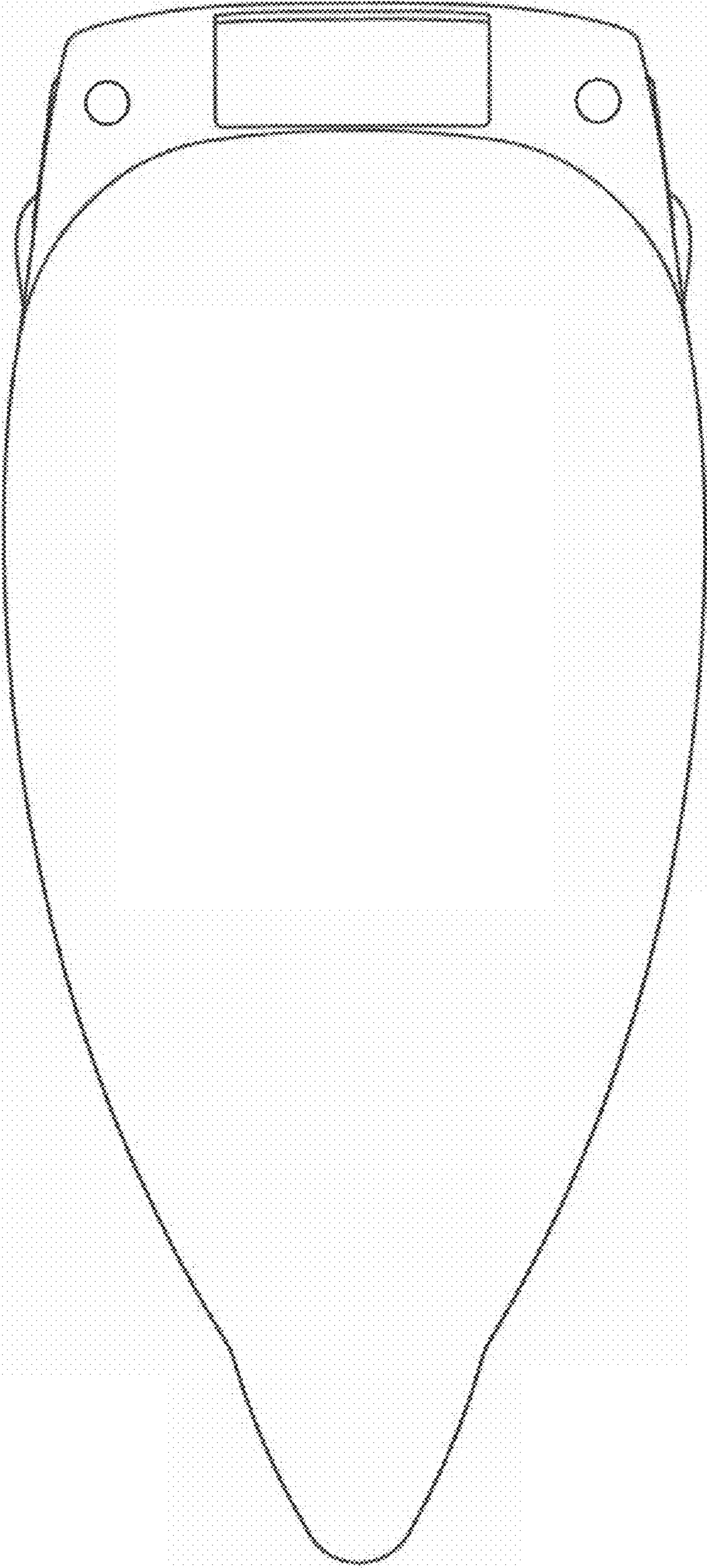


Fig. 16