



US00D610761S

(12) **United States Design Patent**
Gengler et al.

(10) **Patent No.:** **US D610,761 S**

(45) **Date of Patent:** **** Feb. 23, 2010**

(54) **DRAIN UNCLOGGER**

(76) Inventors: **Charles Gengler**, 7 Lombardy Dr.,
Wilmington, DE (US) 19803; **Robert**
Petner, 68 Arrowhead Dr., Burlington,
NJ (US) 08016

(**) Term: **14 Years**

(21) Appl. No.: **29/338,873**

(22) Filed: **Jun. 19, 2009**

(51) **LOC (9) Cl.** **08-99**

(52) **U.S. Cl.** **D32/35**

(58) **Field of Classification Search** D32/35,
D32/40, 45, 52; D4/146, 114, 121, 127,
D4/130, 132-133, 136, 138; 15/105.52,
15/107, 114, 118, 237, 142, 104.92, 21.1,
15/320-321, 323; 401/146, 6, 268, 118,
401/123, 131

See application file for complete search history.

(56) **References Cited**

U.S. PATENT DOCUMENTS

D138,138 S * 6/1944 Burg D32/35
3,538,533 A * 11/1970 Woods 15/236.09
4,741,150 A * 5/1988 Saksun 56/400.21
D304,106 S * 10/1989 Dobson et al. D32/40
D306,924 S * 3/1990 Shapton D32/45
D321,574 S * 11/1991 Shevers et al. D32/15
D364,715 S * 11/1995 Amram et al. D32/35
D364,741 S * 12/1995 Reuter, III D4/132

D392,103 S * 3/1998 Zaccheria D4/132
D397,592 S * 9/1998 Widmer D8/13
D414,343 S * 9/1999 Isaacson D4/132
D453,075 S * 1/2002 Liu D4/118
D485,075 S * 1/2004 Hutchinson D4/114
D564,230 S * 3/2008 Schouten D4/118
D597,315 S * 8/2009 Hoffelner D4/118
7,587,780 B2 * 9/2009 Pfister 15/105

* cited by examiner

Primary Examiner—Cathron C Brooks

Assistant Examiner—Austin Murphy

(74) *Attorney, Agent, or Firm*—Kalow & Springut, LLP;
Scott D. Locke, Esq.

(57) **CLAIM**

The ornamental design for a drain unclogger, as shown and described.

DESCRIPTION

FIG. 1 is a perspective front view of the drain unclogger.

FIG. 2 is a front view of the drain unclogger.

FIG. 3 is a rear view of the drain unclogger.

FIG. 4 is a right view of the drain unclogger.

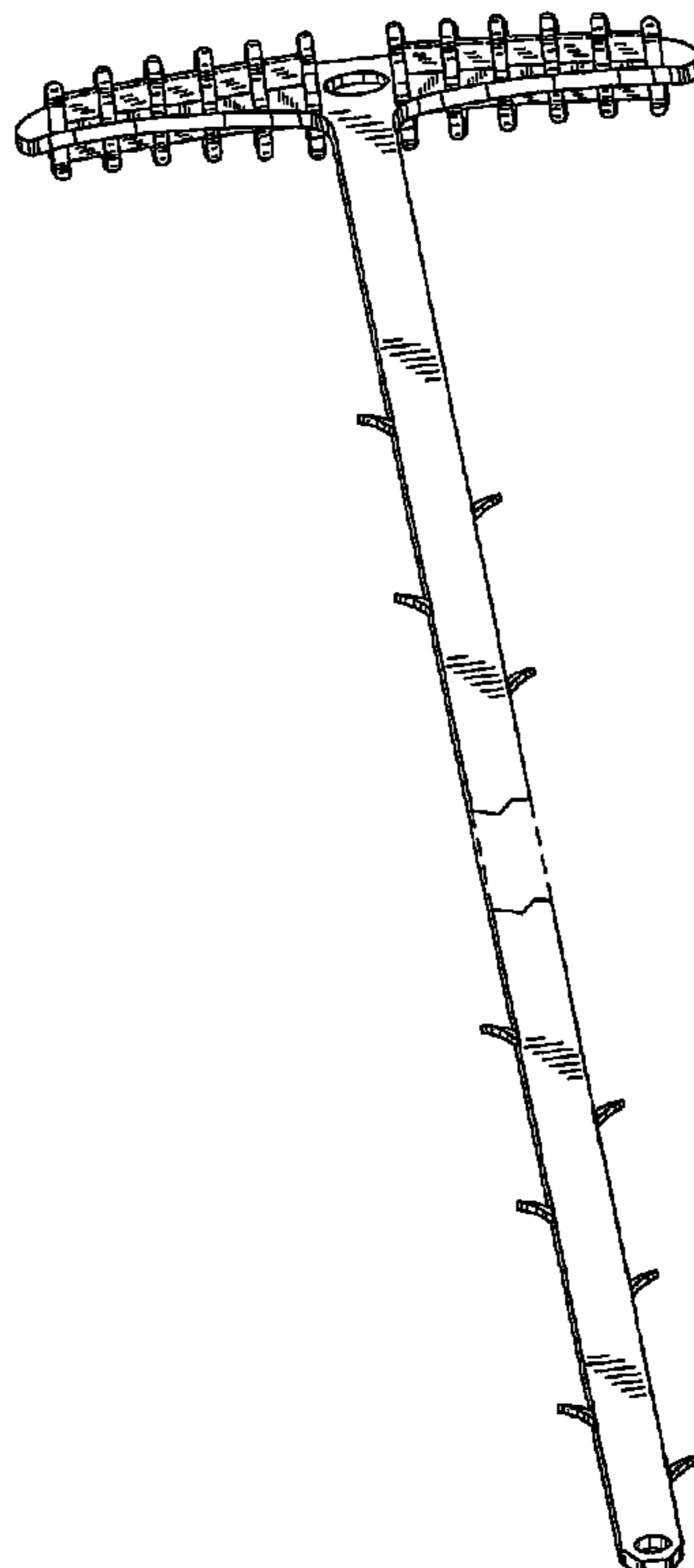
FIG. 5 is a left view of the drain unclogger.

FIG. 6 is a top view of the drain unclogger; and,

FIG. 7 is a bottom view of the drain unclogger.

The drain unclogger is shown broken away in the center to indicate indeterminate length.

1 Claim, 3 Drawing Sheets



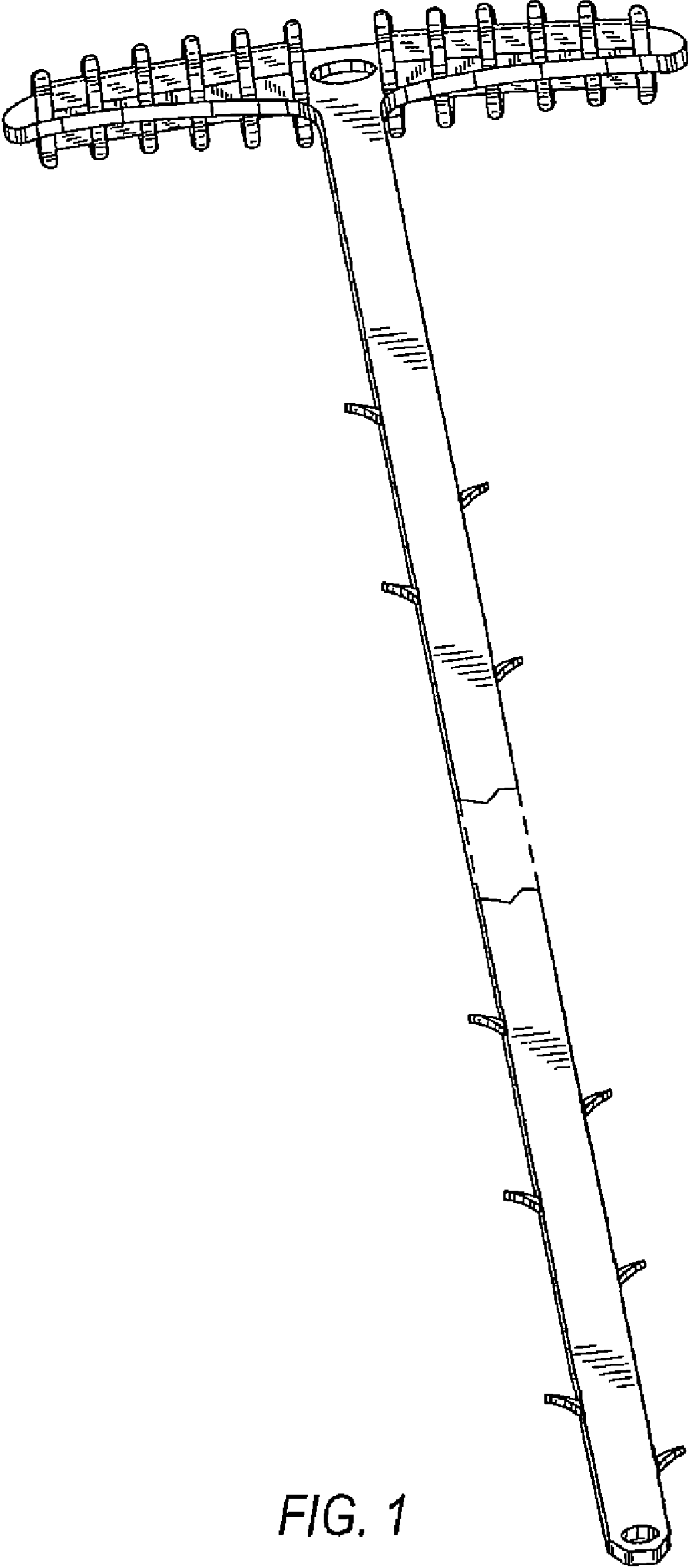


FIG. 1

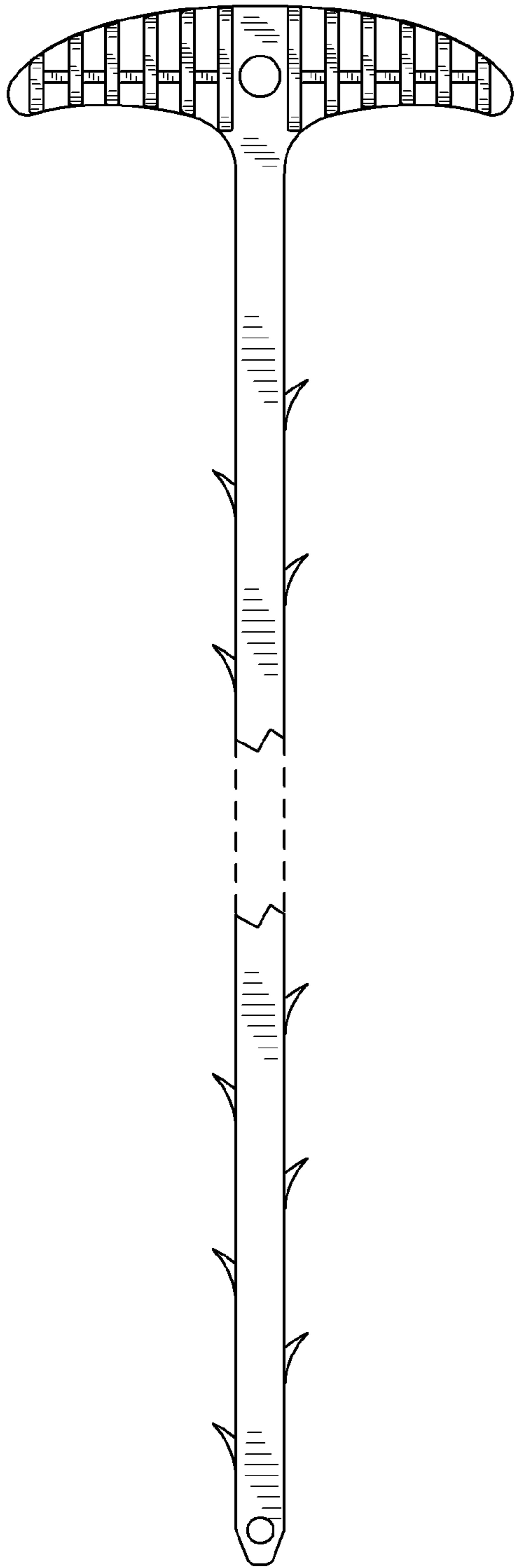


FIG. 2

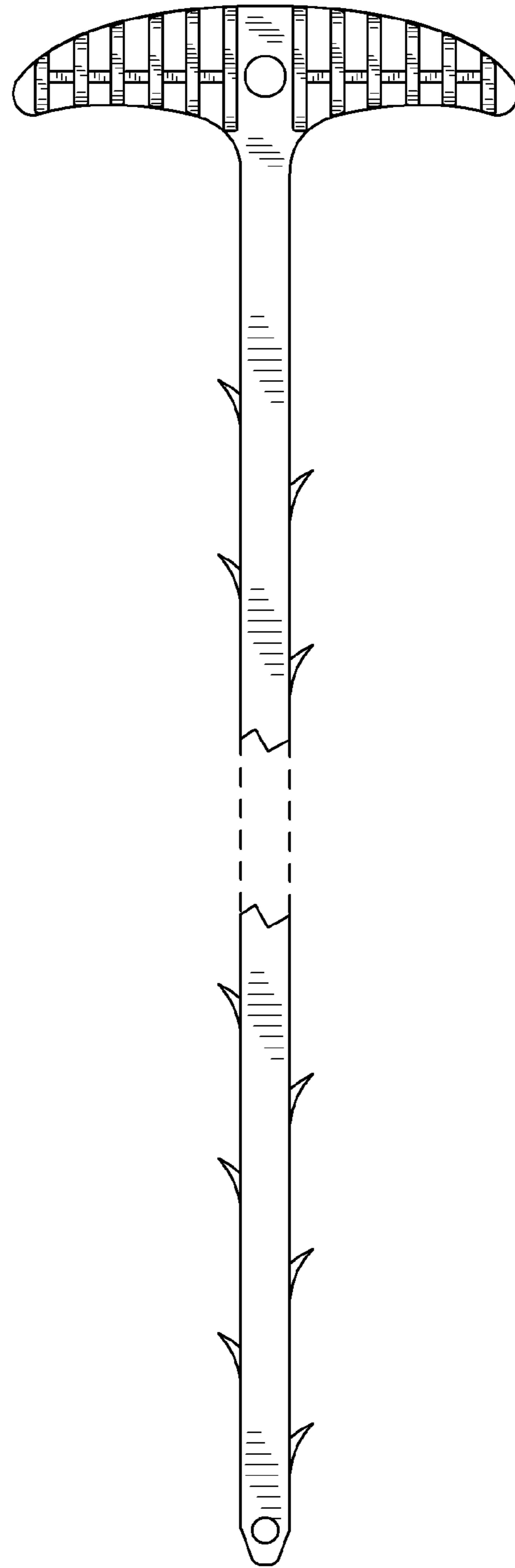


FIG. 3

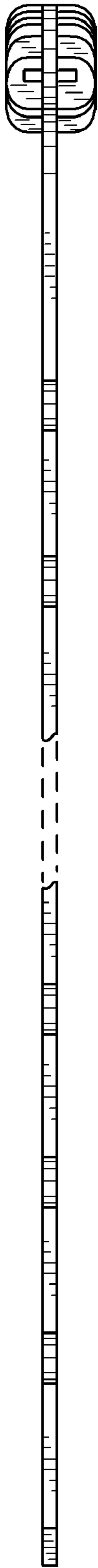


FIG. 4

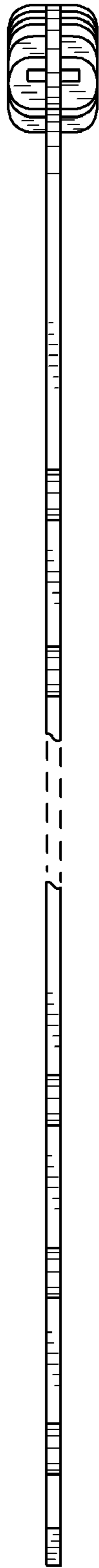


FIG. 5

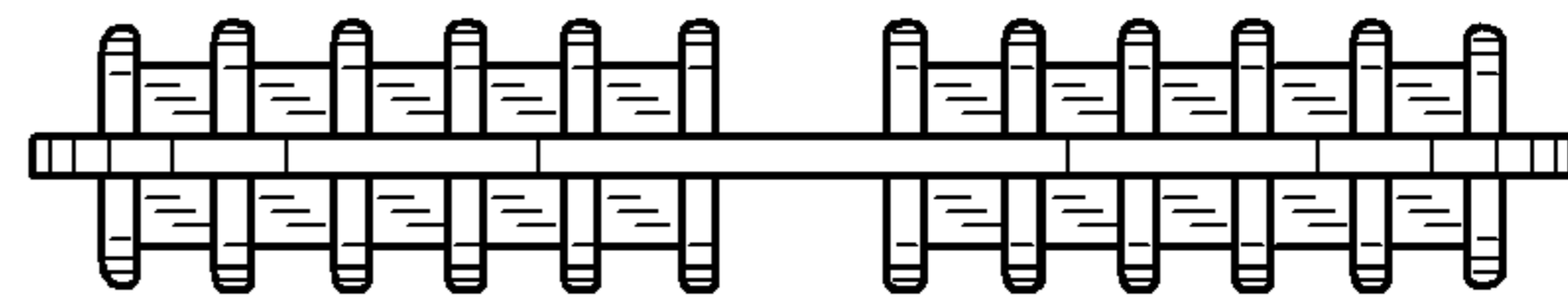


FIG. 6

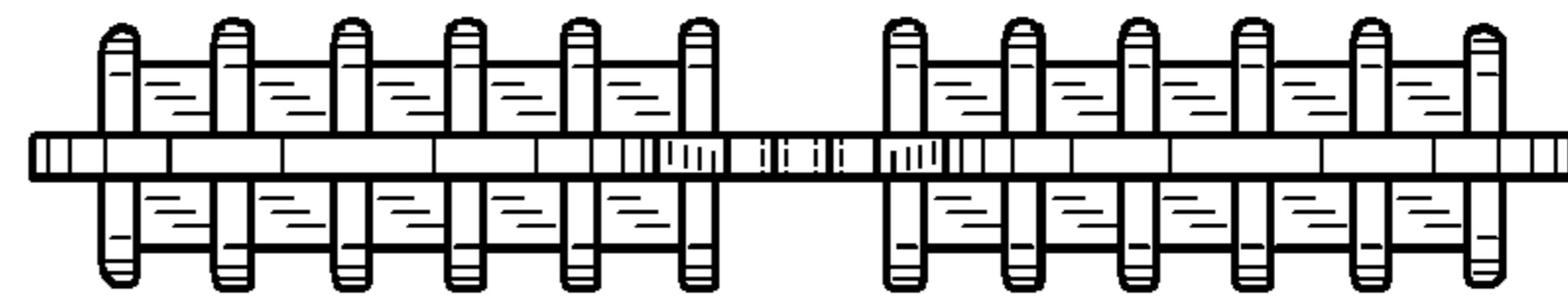


FIG. 7