



US00D610759S

(12) **United States Design Patent**  
**Wai**

(10) **Patent No.:** **US D610,759 S**  
(45) **Date of Patent:** **\*\* Feb. 23, 2010**

(54) **CREASER ACCESSORY DEVICE FOR  
HAND-HELD STEAMER**

(75) Inventor: **Victor Wai**, Hong Kong (HK)

(73) Assignee: **Vertical Branding, Inc.**, Encino, CA  
(US)

(\*\*) Term: **14 Years**

(21) Appl. No.: **29/303,764**

(22) Filed: **Feb. 15, 2008**

(51) **LOC (9) Cl.** ..... **15-05**

(52) **U.S. Cl.** ..... **D32/25; D32/71**

(58) **Field of Classification Search** ..... D32/1,  
D32/17, 25, 35, 68-73; 38/1 R, 2, 12, 15,  
38/17, 69, 74-75, 77.1-77.9, 79, 88, 90,  
38/93, 141; 219/243, 245-252, 259  
See application file for complete search history.

(56) **References Cited**

**U.S. PATENT DOCUMENTS**

4,219,724	A	8/1980	Allvin	
4,817,309	A	4/1989	Frank et al.	
D302,615	S *	8/1989	Vildosola	D32/73
D316,768	S *	5/1991	Komar	D32/73
5,299,372	A *	4/1994	Kelly et al.	38/36
D370,324	S *	5/1996	Villa	D32/73
D423,163	S *	4/2000	Stutzer et al.	D32/73
D470,637	S *	2/2003	Berthier	D32/73
D484,658	S *	12/2003	Schupp	D32/73

7,121,024	B1 *	10/2006	Clevenberg	38/71
D567,463	S *	4/2008	Garner	D32/73
D568,021	S *	4/2008	Lebot et al.	D32/73
D579,160	S *	10/2008	Lebot et al.	D32/9
D601,317	S *	9/2009	Reiner	D32/25
2005/0278984	A1 *	12/2005	Kenney	38/17

\* cited by examiner

*Primary Examiner*—Rosemary K Tarcza

(74) *Attorney, Agent, or Firm*—Fulwider Patton LLP

(57) **CLAIM**

The ornamental design for a creaser accessory device for hand-held steamer, as shown and described.

**DESCRIPTION**

FIG. 1 is a front perspective view of a creaser accessory device for hand-held steamer showing my new design;

FIG. 2 is a rear view thereof;

FIG. 3 is a front view thereof;

FIG. 4 is a bottom plan view thereof;

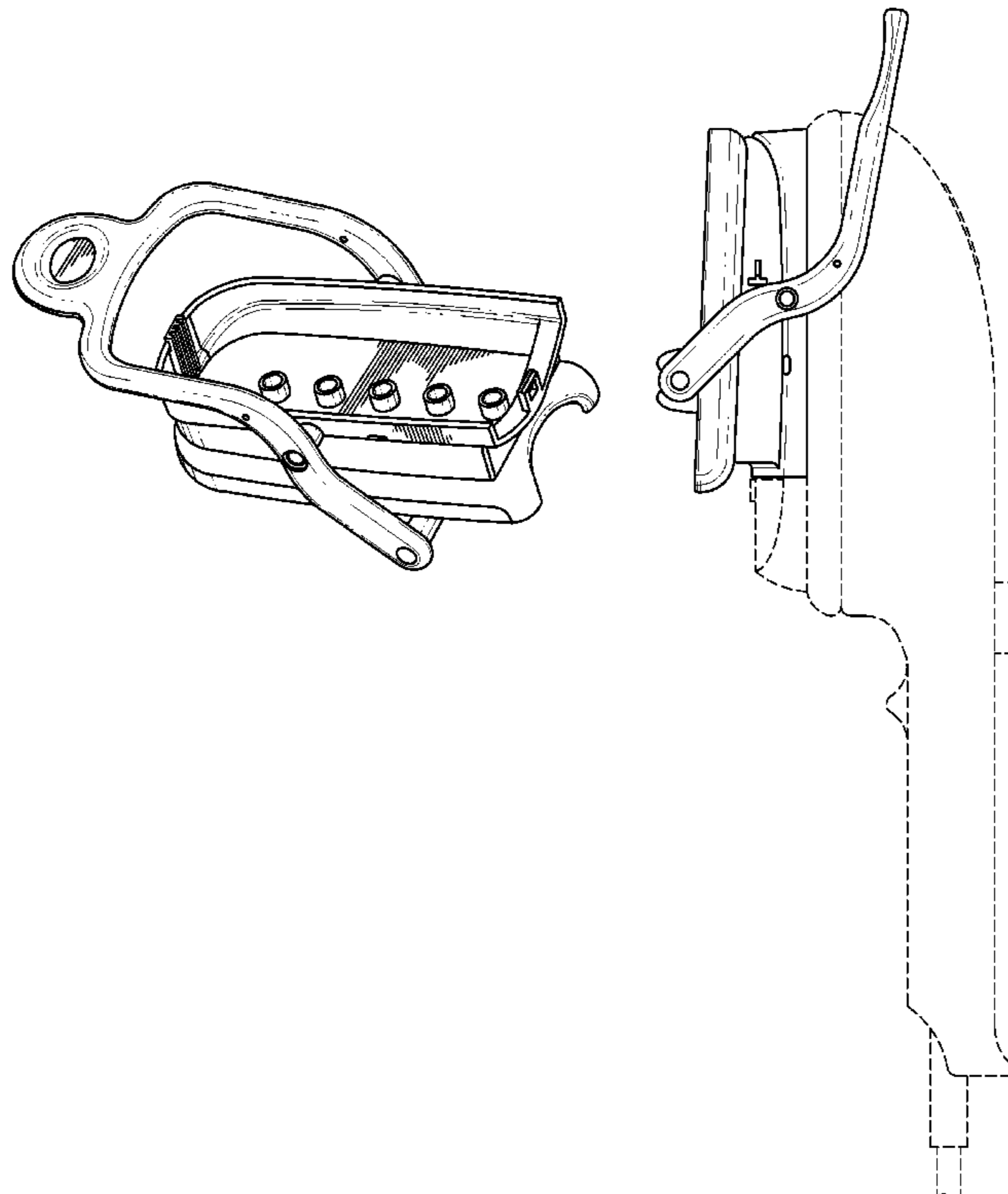
FIG. 5 is a top plan view thereof;

FIG. 6 is a right side elevational view thereof; and,

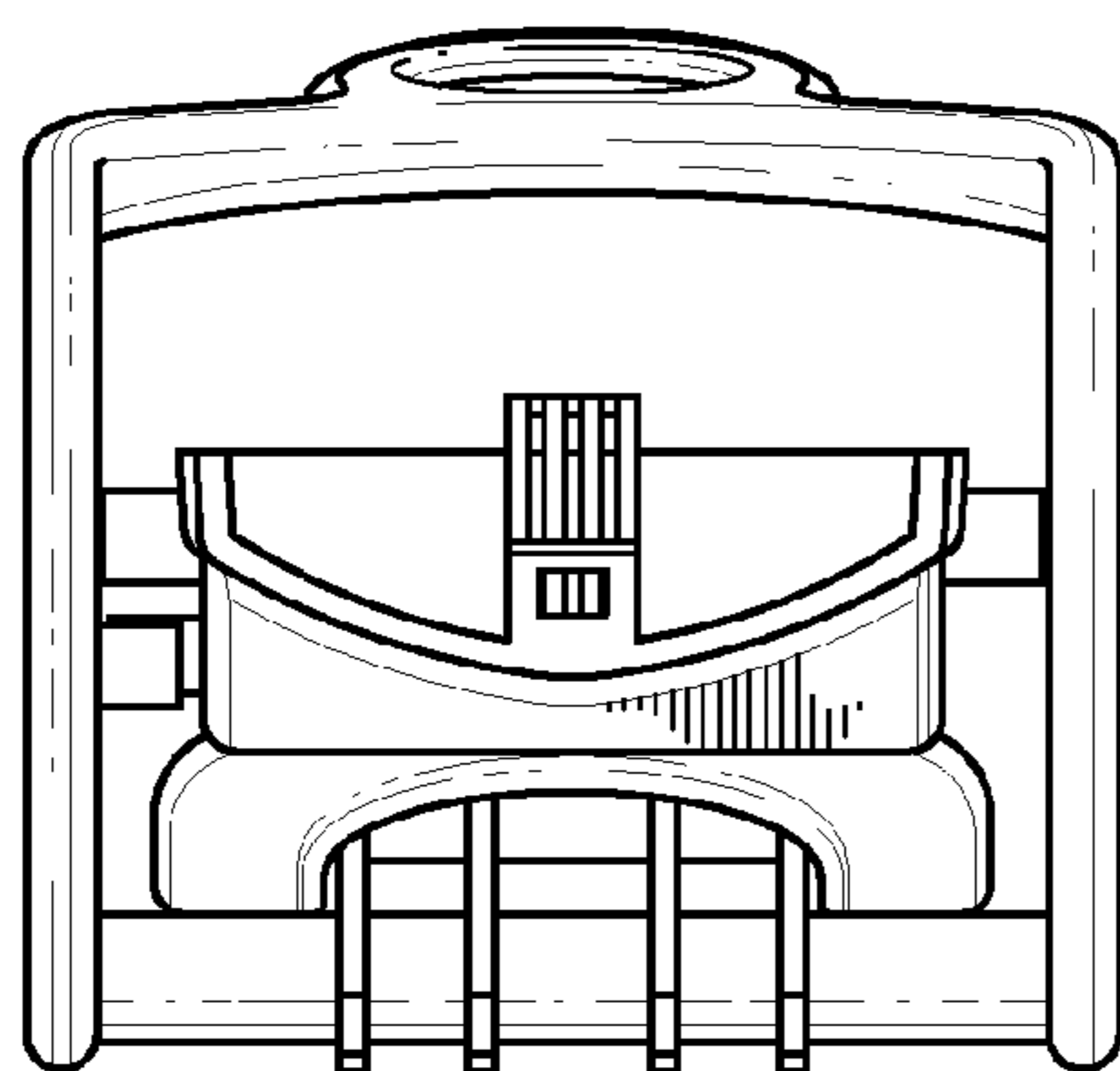
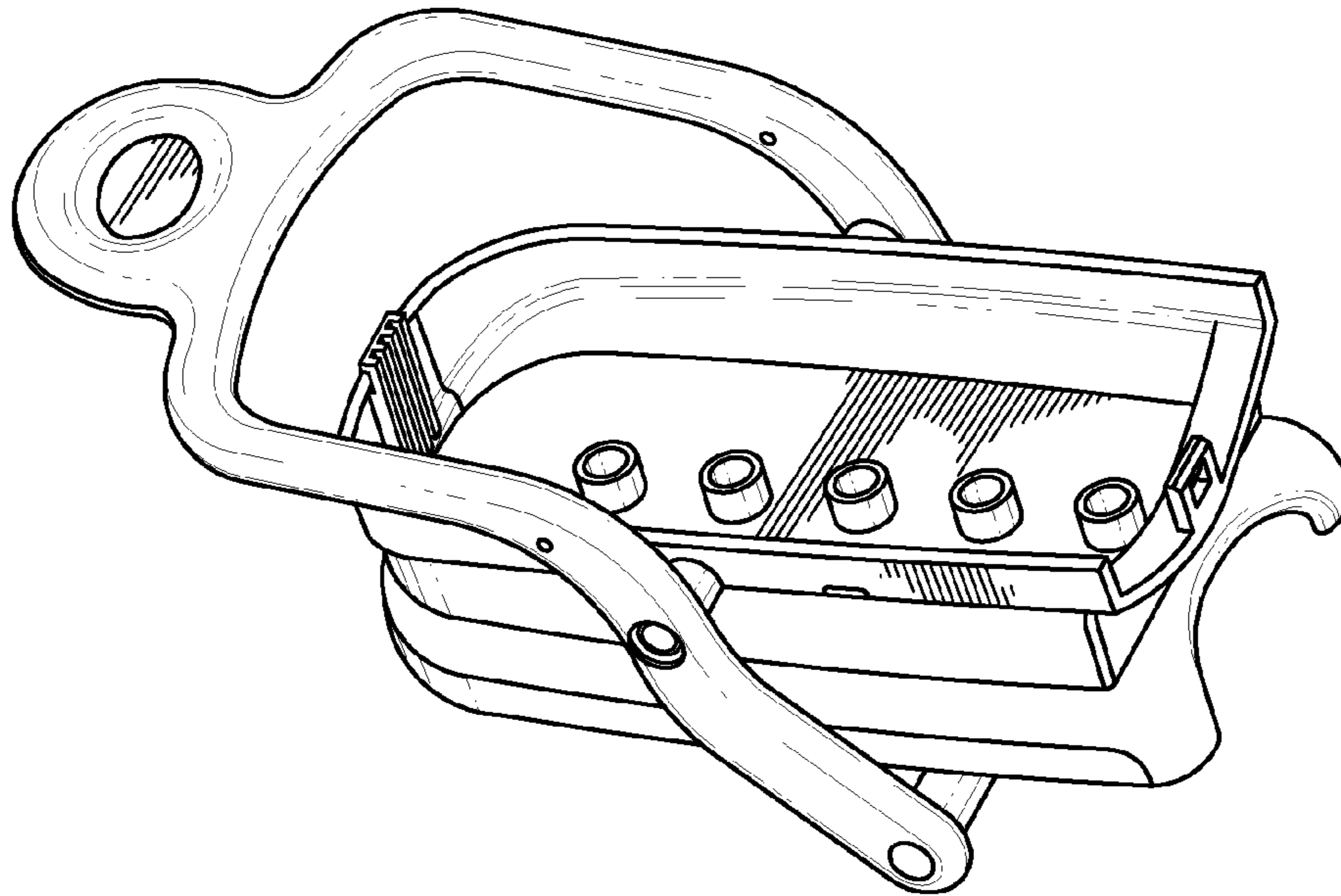
FIG. 7 is a left side elevational view thereof.

The broken lines shown in the drawings are included for the purpose of illustrating environmental structure and form no part of the claimed design.

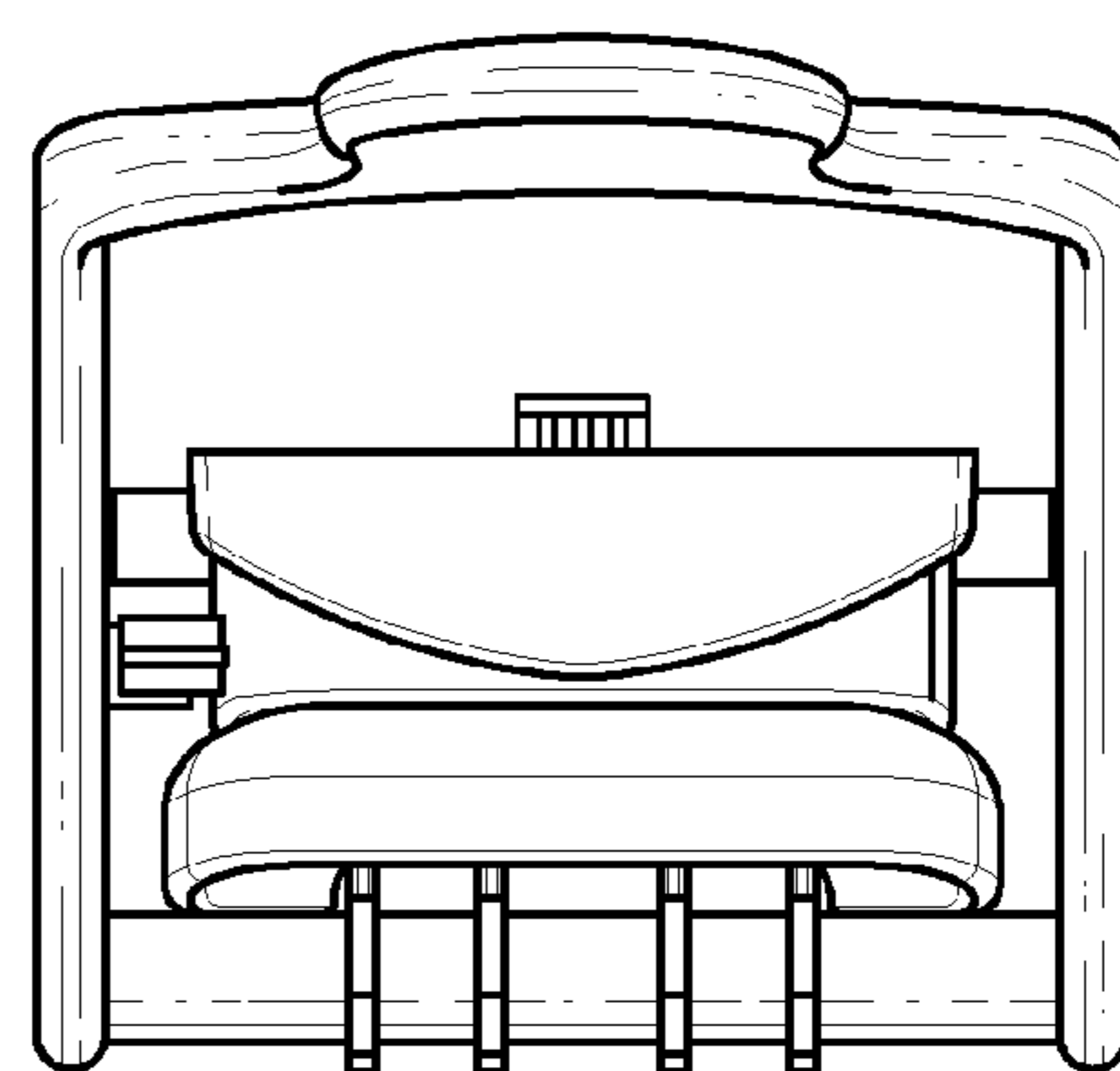
**1 Claim, 3 Drawing Sheets**



*FIG. 1*

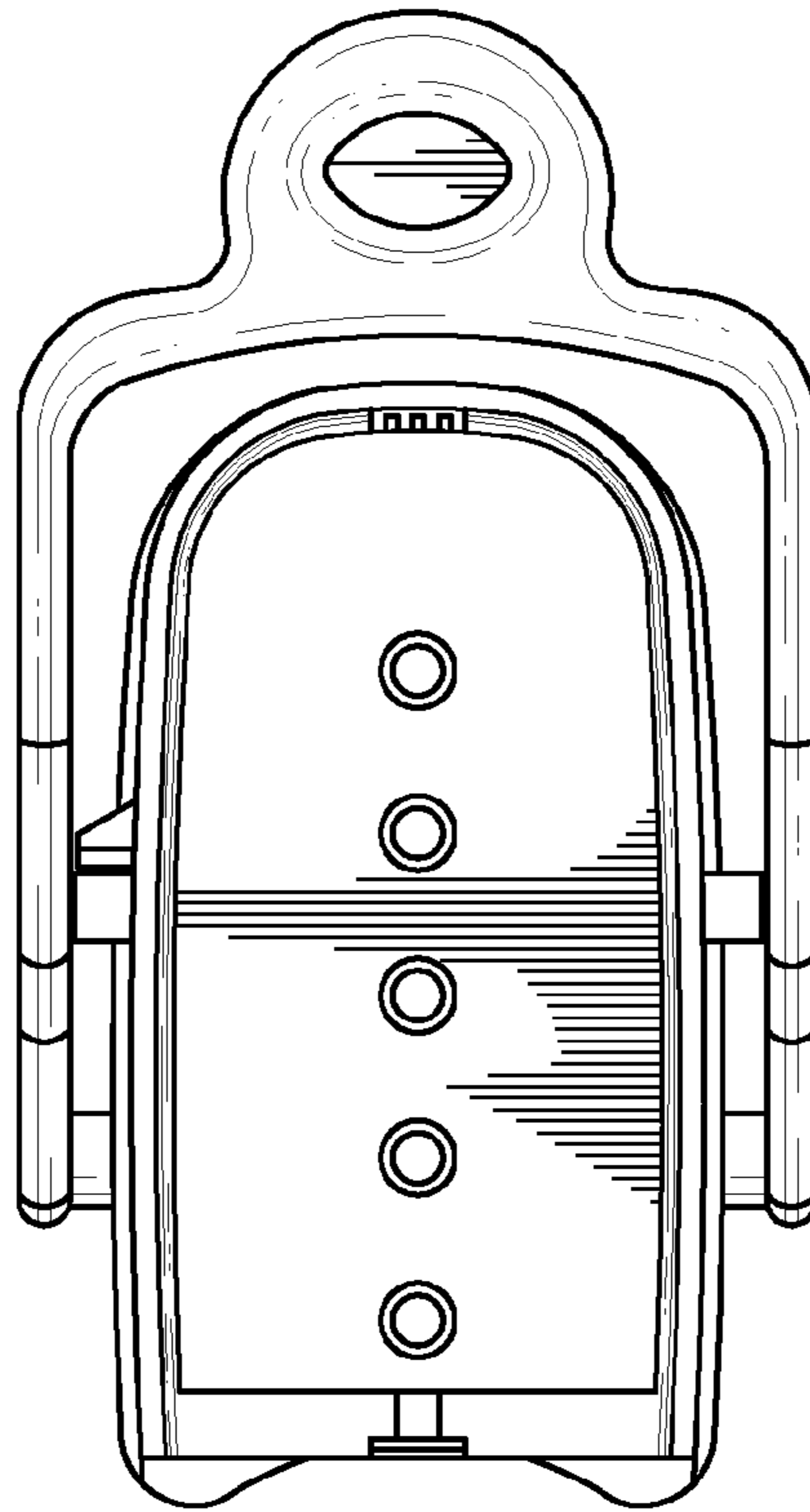


*FIG. 2*

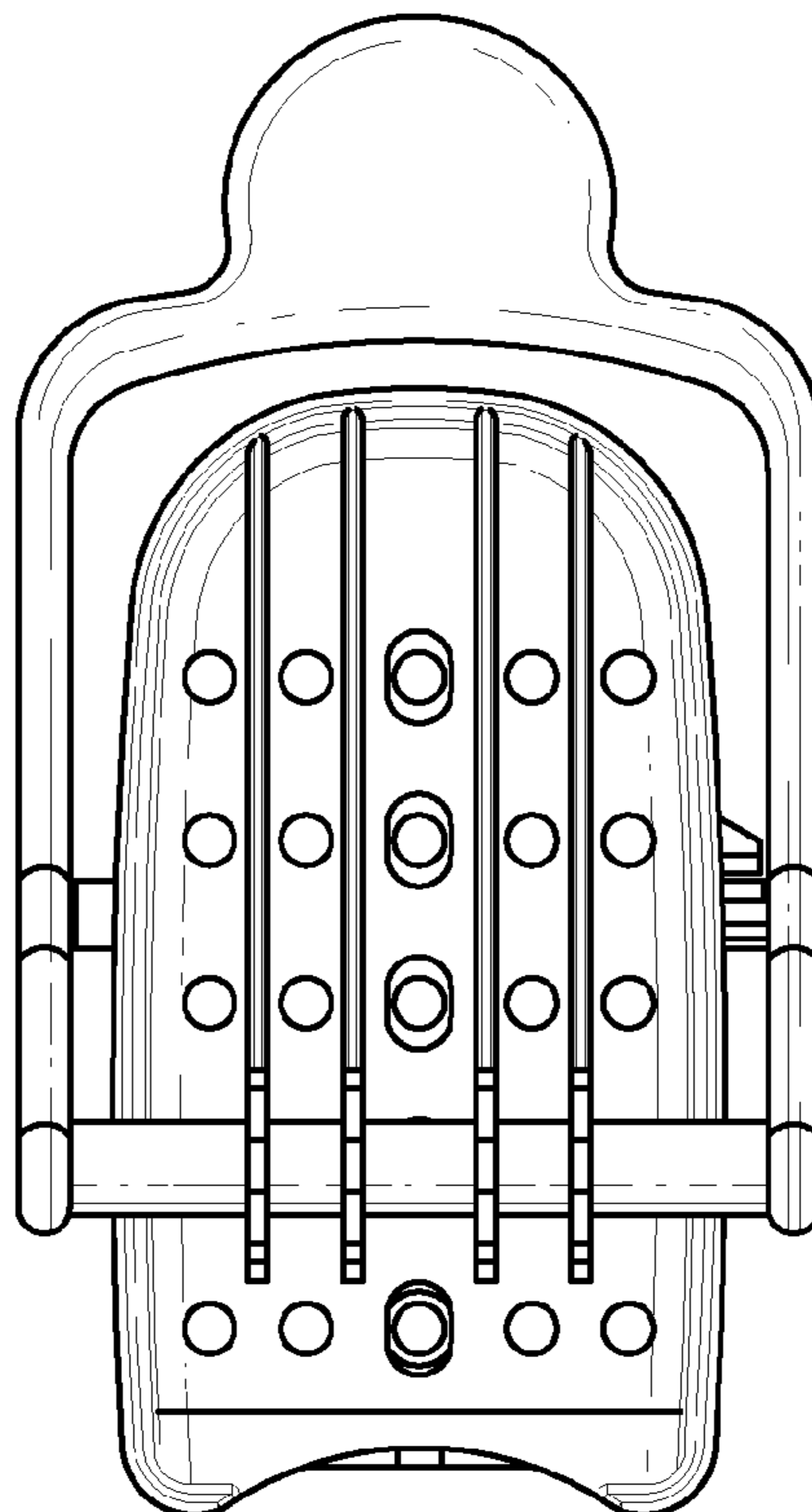


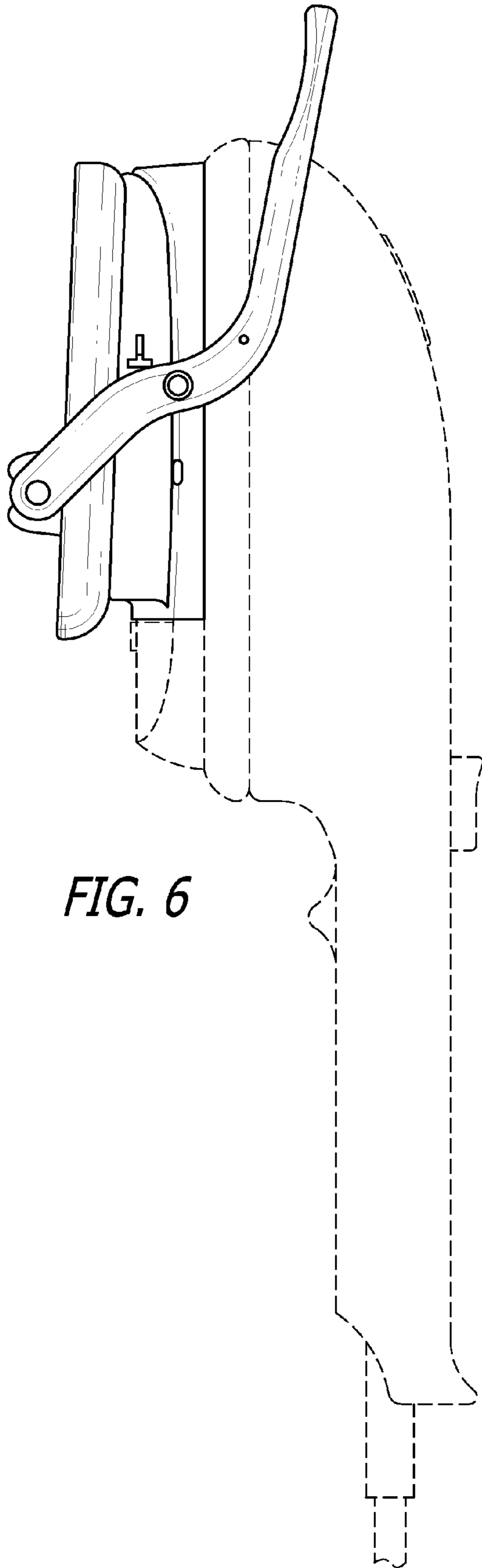
*FIG. 3*

*FIG. 4*

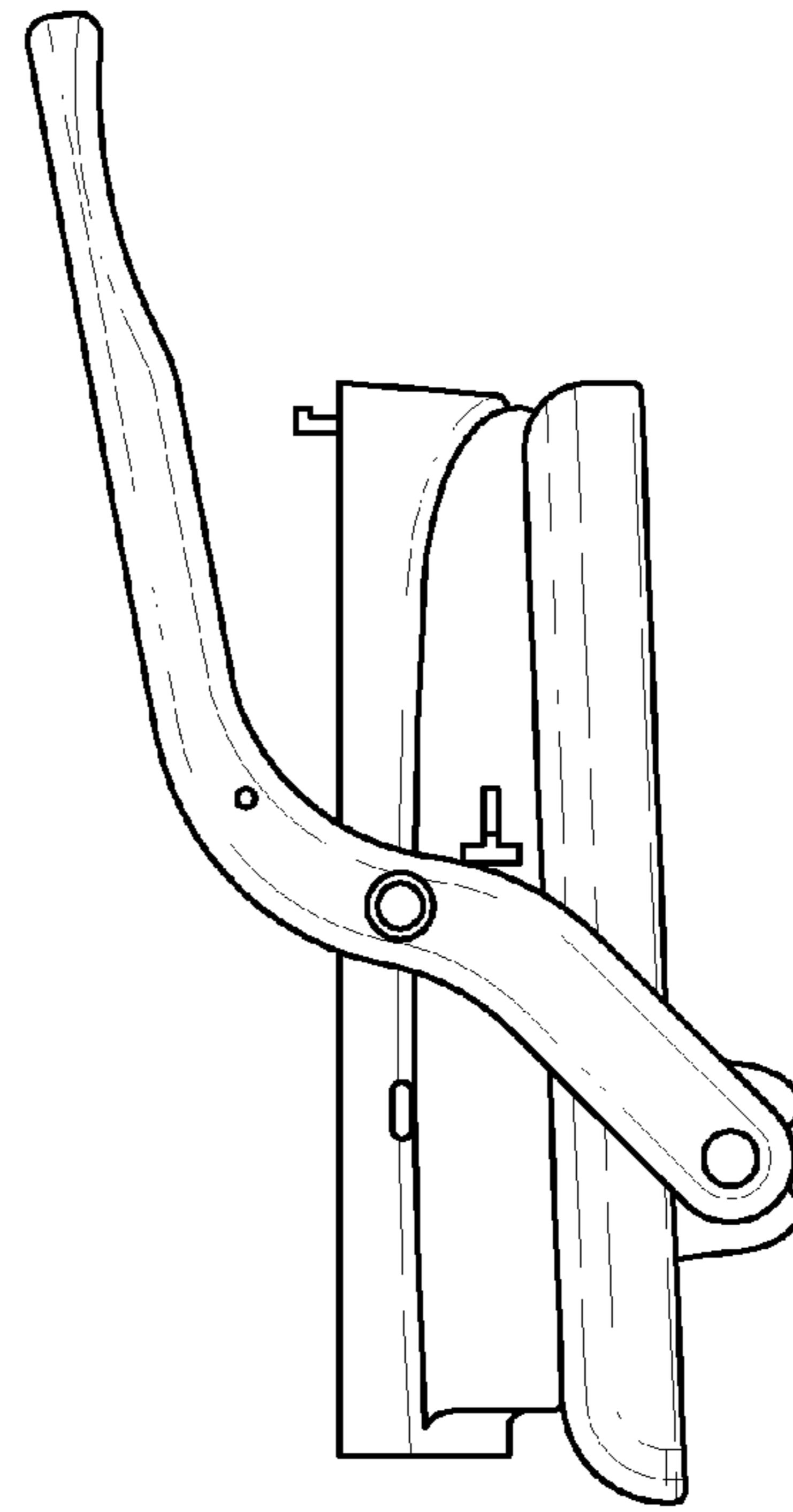


*FIG. 5*





*FIG. 6*



*FIG. 7*