

US00D610754S

(12) **United States Design Patent**  
**White**

(10) **Patent No.:** **US D610,754 S**

(45) **Date of Patent:** **\*\* Feb. 23, 2010**

(54) **HOOF NIPPERS WITH REPLACEABLE  
BLADE**

(75) Inventor: **Valor P. White**, Farson, WY (US)

(73) Assignee: **Bud's Horseshoeing Equipment Inc.**,  
Blackfoot, ID (US)

(\*\*) Term: **14 Years**

(21) Appl. No.: **29/321,592**

(22) Filed: **Jul. 18, 2008**

(51) **LOC (9) Cl.** ..... **30-99**

(52) **U.S. Cl.** ..... **D30/158**

(58) **Field of Classification Search** ..... D30/158,  
D30/199; 119/601, 600, 650, 610, 652, 602,  
119/605, 607; D28/60; 132/73.5, 73, 75.4,  
132/75.5; 30/26-29, 123, 175, 179, 124,  
30/125, 182, 131, 145, 192, 252, 344, 164.95,  
30/186, 180, 187, 228, 266, 242, 335, 193,  
30/176; 606/165, 175; 168/48.1; 83/13,  
83/130; 340/573.1; 600/310; 362/119, 253,  
362/800; 7/162, 127, 130, 132, 137, 158,  
7/133-136, 102; D8/5, 52, 56, 55, 107, 58,  
D8/98; 76/104.1, DIG. 5; 125/23.01, 23.02;  
81/341, 427.5, 489, 350, 353, 354, 424.5,  
81/426.5; 225/96.5; 16/430; 451/358; 74/57;  
254/22

See application file for complete search history.

(56) **References Cited**

**U.S. PATENT DOCUMENTS**

29,543	A *	8/1860	Baker	30/186
62,624	A *	3/1867	Freet	30/186
80,031	A *	7/1868	Thompson	30/186
166,971	A *	8/1875	Donner	168/45
180,731	A *	8/1876	Rogers	30/186
227,243	A *	5/1880	Graham	168/45
338,400	A *	3/1886	Glock et al.	30/186
532,509	A *	1/1895	Whiting	30/186
550,981	A *	12/1895	Laube	7/130
562,746	A *	6/1896	Smith	7/130

802,733	A *	10/1905	Binnings	30/186
901,556	A *	10/1908	Poole	30/186
928,335	A *	7/1909	Ryden	30/186
951,076	A *	3/1910	Jones	30/266
980,861	A *	1/1911	Blake	30/186
990,932	A *	5/1911	Walsh	30/186
1,022,489	A *	4/1912	Lyons	30/186
1,090,020	A *	3/1914	Broadbooks	168/45
1,144,738	A *	6/1915	Stubkjare	30/193
1,192,753	A *	7/1916	Clements	30/186
1,578,438	A *	3/1926	Hintz	30/186
1,887,732	A *	11/1932	Pagel et al.	140/152
D124,728	S *	1/1941	Sulak	D8/52
2,939,215	A *	6/1960	Putsch et al.	30/266
D199,088	S *	9/1964	Hurlbut	D8/52
D214,646	S *	7/1969	Mathisen	D8/58
4,084,457	A *	4/1978	Berg	81/424.5
4,130,938	A	12/1978	Uhlmann	
4,663,847	A	5/1987	Van Horn	
4,776,402	A	10/1988	Meikle et al.	

(Continued)

*Primary Examiner*—Susan Moon Lee

(74) *Attorney, Agent, or Firm*—Thorpe North & Western LLP

(57) **CLAIM**

What is claimed is the ornamental design for hoof nippers with replaceable blade, as shown and described herein.

**DESCRIPTION**

FIG. 1 is a side view of the hoof nippers with replaceable blade in accordance with my invention;

FIG. 2 is an opposing side view thereof;

FIG. 3 is a top view thereof;

FIG. 4 is a bottom view thereof;

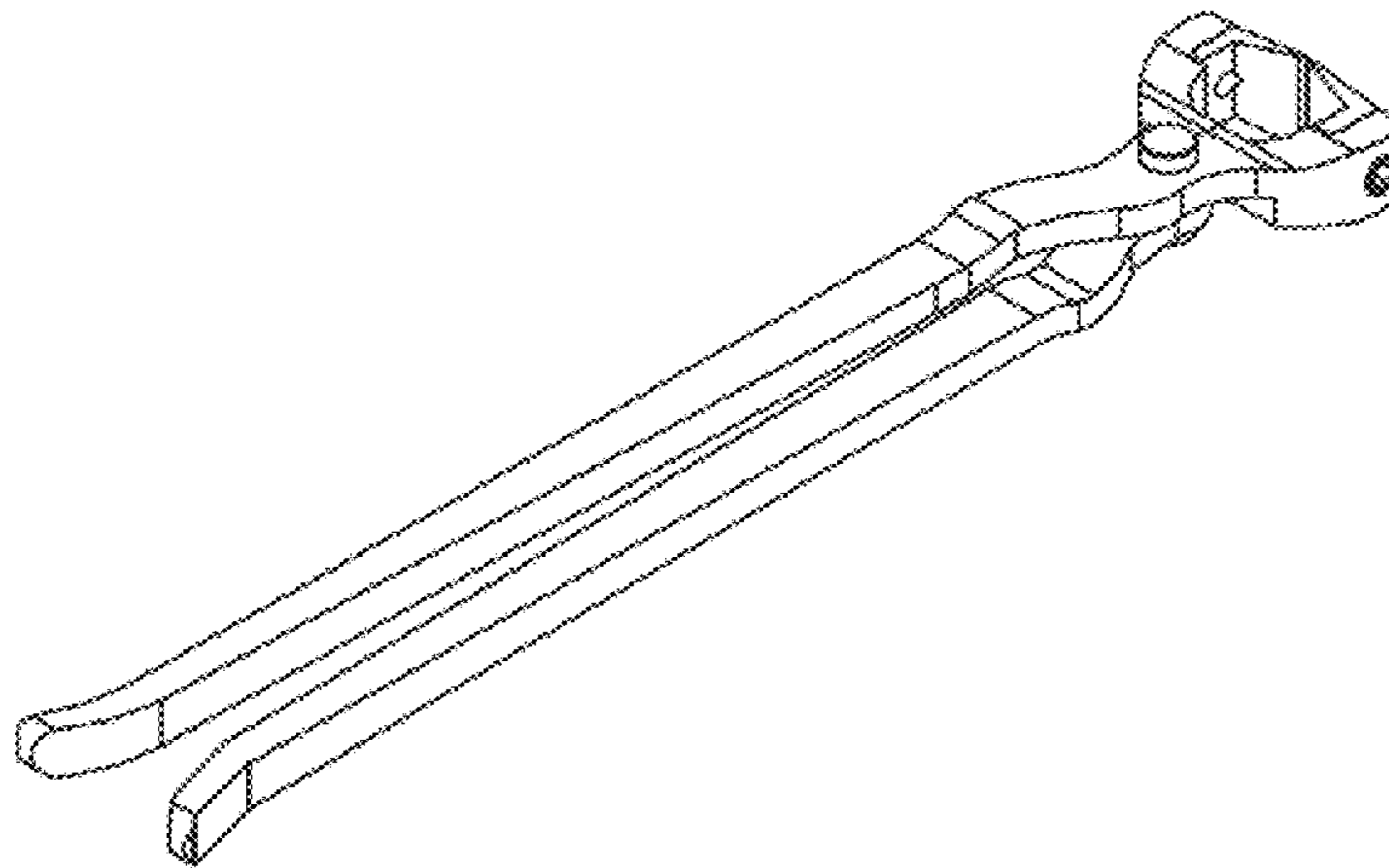
FIG. 5 is a front view thereof;

FIG. 6 is a rear view thereof;

FIG. 7 is a side perspective view thereof; and,

FIG. 8 is a side perspective view of the hoof nippers with replaceable blade in an opened position.

**1 Claim, 7 Drawing Sheets**



# US D610,754 S

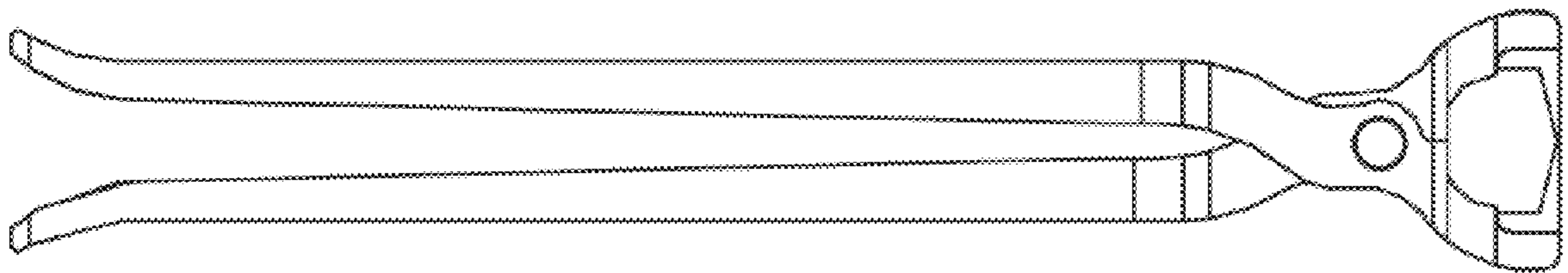
Page 2

---

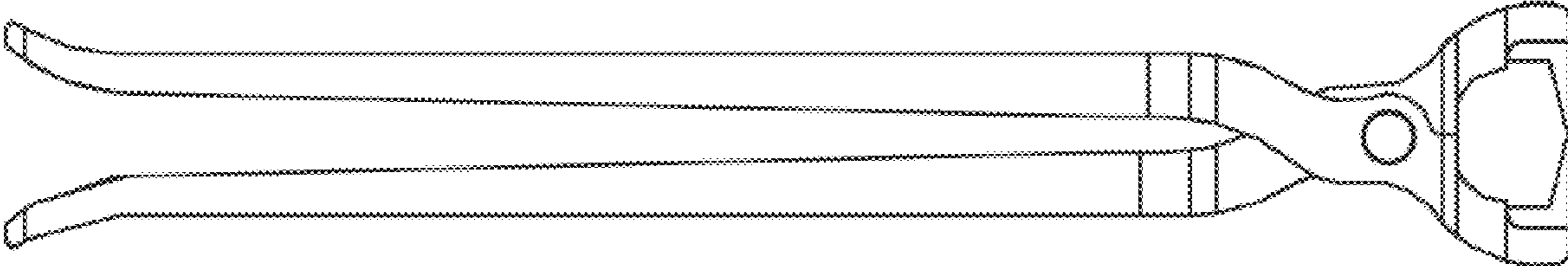
## U.S. PATENT DOCUMENTS

5,107,559 A	4/1992	O'Reilly			
D349,636 S	8/1994	White et al.			
5,361,498 A *	11/1994	Siebenlist .....	30/164.95		
D356,238 S *	3/1995	Moore et al. ....	D8/52		
5,452,705 A *	9/1995	Hornig .....	125/23.01		
D368,417 S *	4/1996	Hebert .....	D8/52		
D371,287 S *	7/1996	Gilbert, Jr. ....	D8/52		
5,987,752 A	11/1999	Swanstrom, Jr.			
D470,384 S *	2/2003	Makedonski .....	D8/105		
6,540,027 B2	4/2003	Litzen et al.			
6,591,917 B2	7/2003	Clough et al.			
7,065,819 B1	6/2006	Minniti			
D543,813 S *	6/2007	Tutorow .....	D8/52		
D558,013 S	12/2007	Sykes, II			
2006/0277763 A1 *	12/2006	Turner et al. ....	30/193		

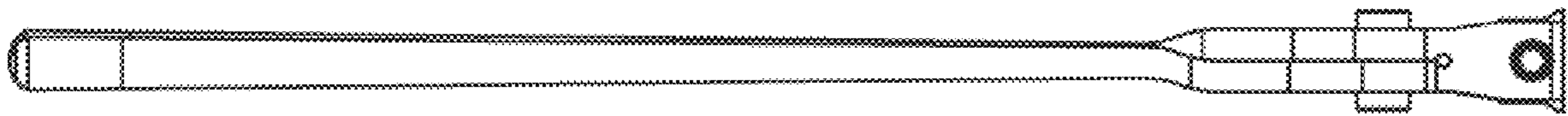
\* cited by examiner



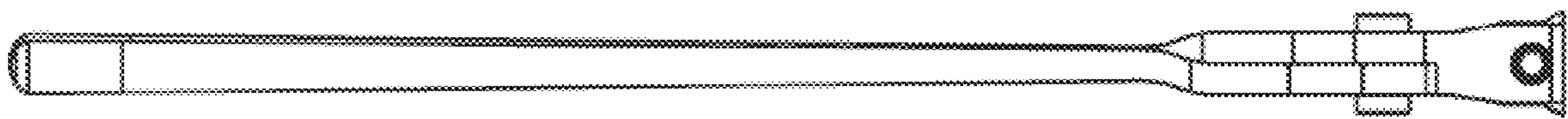
*Fig. 1*



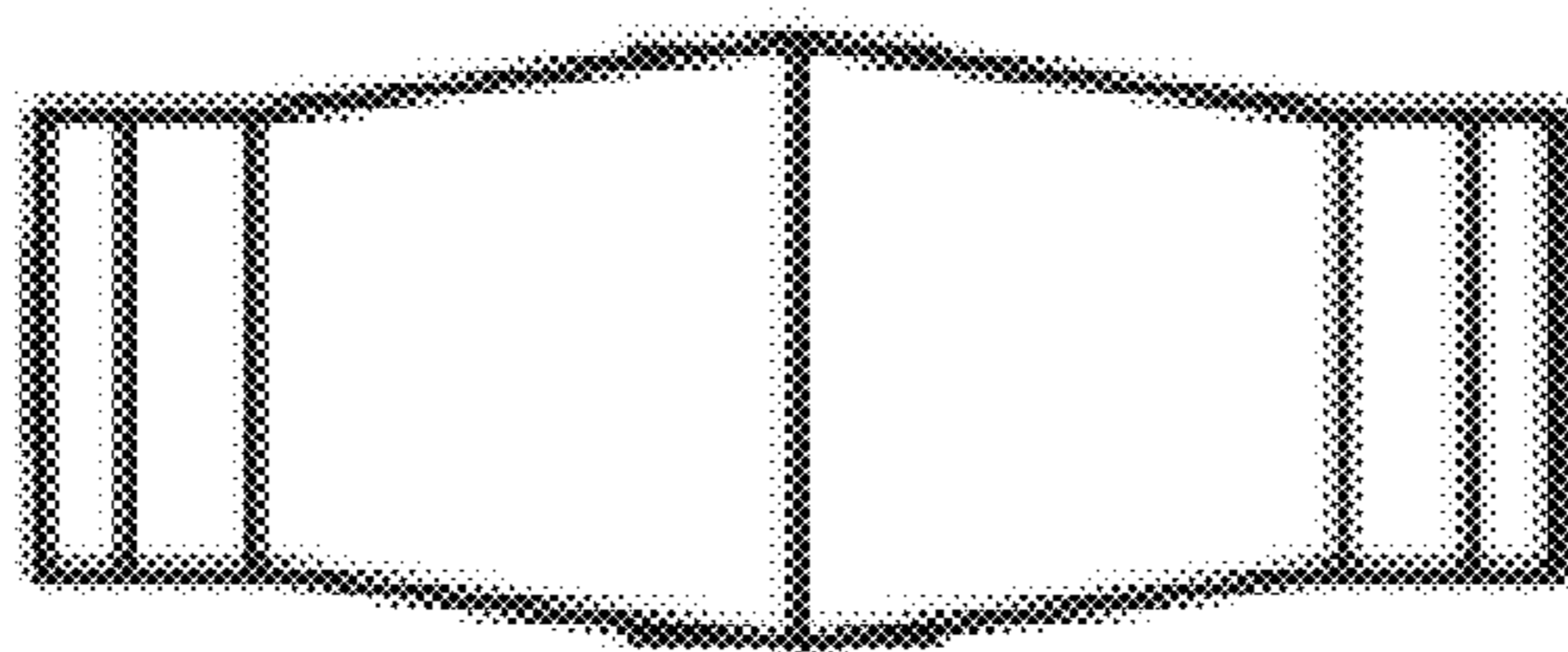
*Fig. 2*



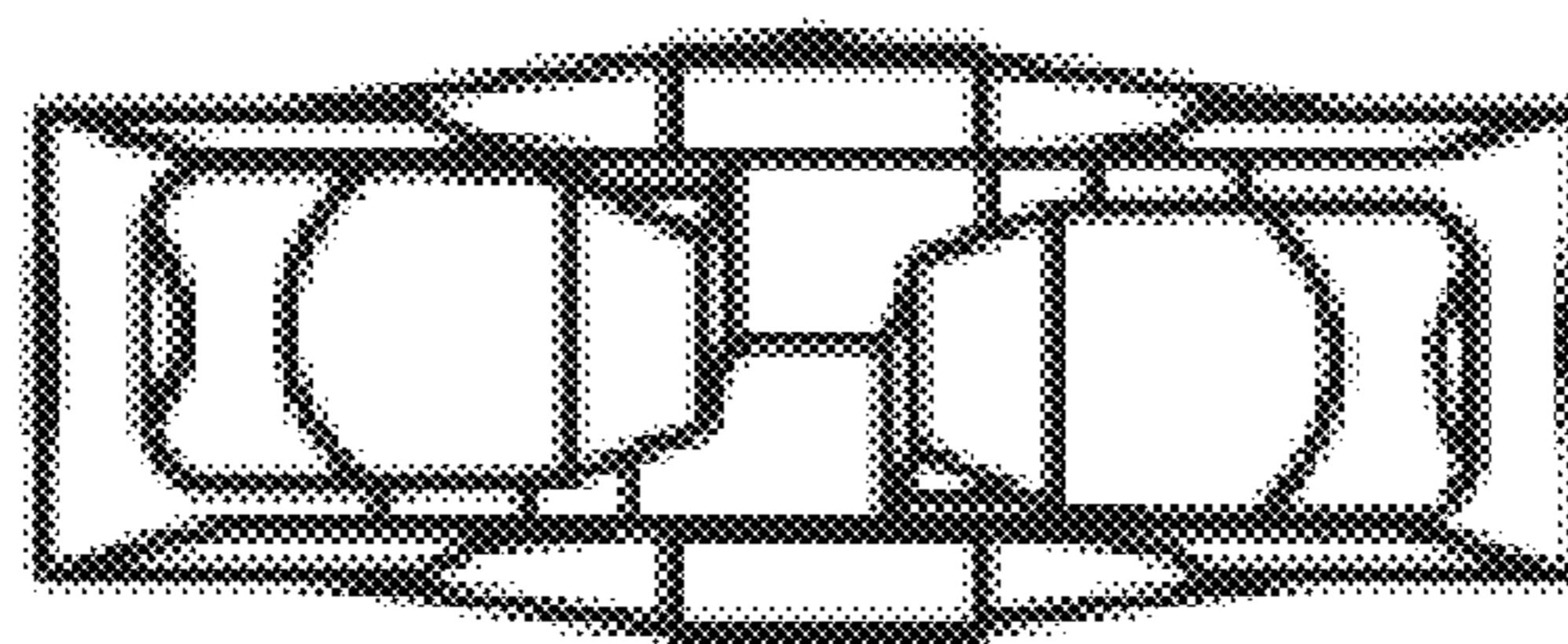
*Fig. 3*



*Fig. 4*

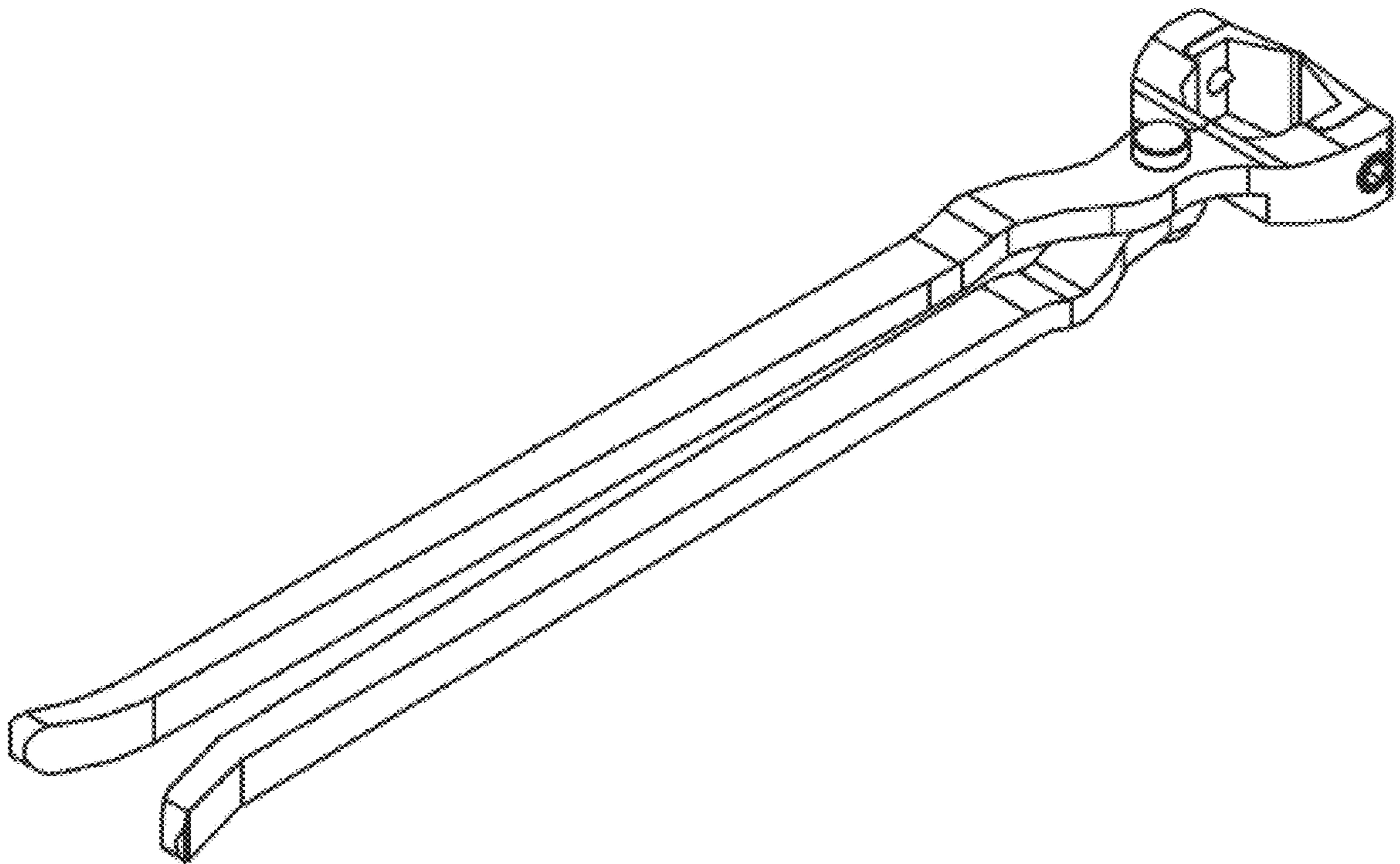


***Fig. 5***



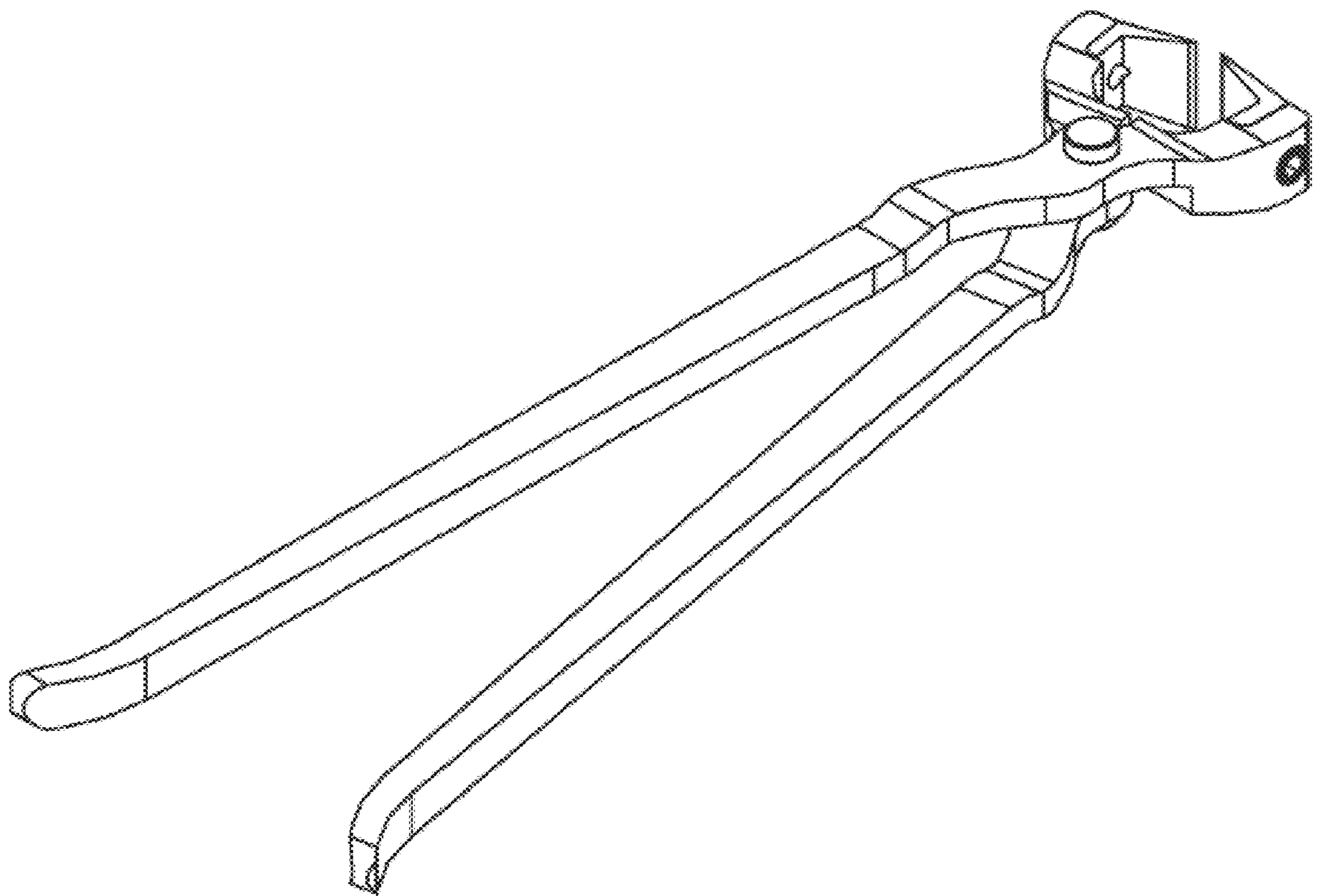
***Fig. 6***





*Fig. 7*





*Fig. 8*