



US00D610748S

(12) **United States Design Patent**
Volpenhein et al.

(10) **Patent No.:** **US D610,748 S**
(45) **Date of Patent:** **** Feb. 23, 2010**

(54) **DENTAL FLOSS PICK**

FOREIGN PATENT DOCUMENTS

(75) Inventors: **Daniel William Volpenhein**, Mason, OH (US); **Douglas Craig Hardesty**, Amelia, OH (US); **David Eric Dintenfass**, Cincinnati, OH (US); **Sarah T. Irizarry**, Fort Thomas, KY (US); **Alexander King**, Cincinnati, OH (US)

DE 4439931 9/1996

(Continued)

(73) Assignee: **The Procter & Gamble Company**, Cincinnati, OH (US)

Floss Accessories from <https://cart.jbutler.com/store.php?crn=223>, Feb. 11, 2009, 13 pages, GUM®.

(**) Term: **14 Years**

(Continued)

(21) Appl. No.: **29/340,711**

Primary Examiner—Janice E Seeger
Assistant Examiner—Zenia I Bennett

(22) Filed: **Jul. 23, 2009**

(57) **CLAIM**

Related U.S. Application Data

(63) Continuation of application No. 29/307,575, filed on Apr. 28, 2008, now abandoned.

The ornamental design for a dental floss pick, as shown and described.

(51) **LOC (9) Cl.** **28-03**

(52) **U.S. Cl.** **D28/66**

(58) **Field of Classification Search** D28/31,
D28/56, 65–68, 73; D24/152; 433/141,
433/146–147; 132/322–329

See application file for complete search history.

DESCRIPTION

(56) **References Cited**

U.S. PATENT DOCUMENTS

1,414,604	A	5/1922	Thum
D274,375	S	6/1984	Tomlin et al.
D276,088	S	10/1984	Fong
D279,826	S	7/1985	Schindler
D301,071	S	5/1989	Franchi
D309,041	S	7/1990	Schneider
D309,803	S	8/1990	Potter
D316,617	S	4/1991	Cheung et al.
5,388,600	A	2/1995	Hart
D357,551	S	4/1995	Schindler

FIG. 1 is a perspective view of a dental floss pick, embodying the new design;

FIG. 2 is a right side elevational view of the dental floss pick of FIG. 1;

FIG. 3 is a left side elevational view of the dental floss pick of FIG. 1;

FIG. 4 is a front elevational view of the dental floss pick of FIG. 1;

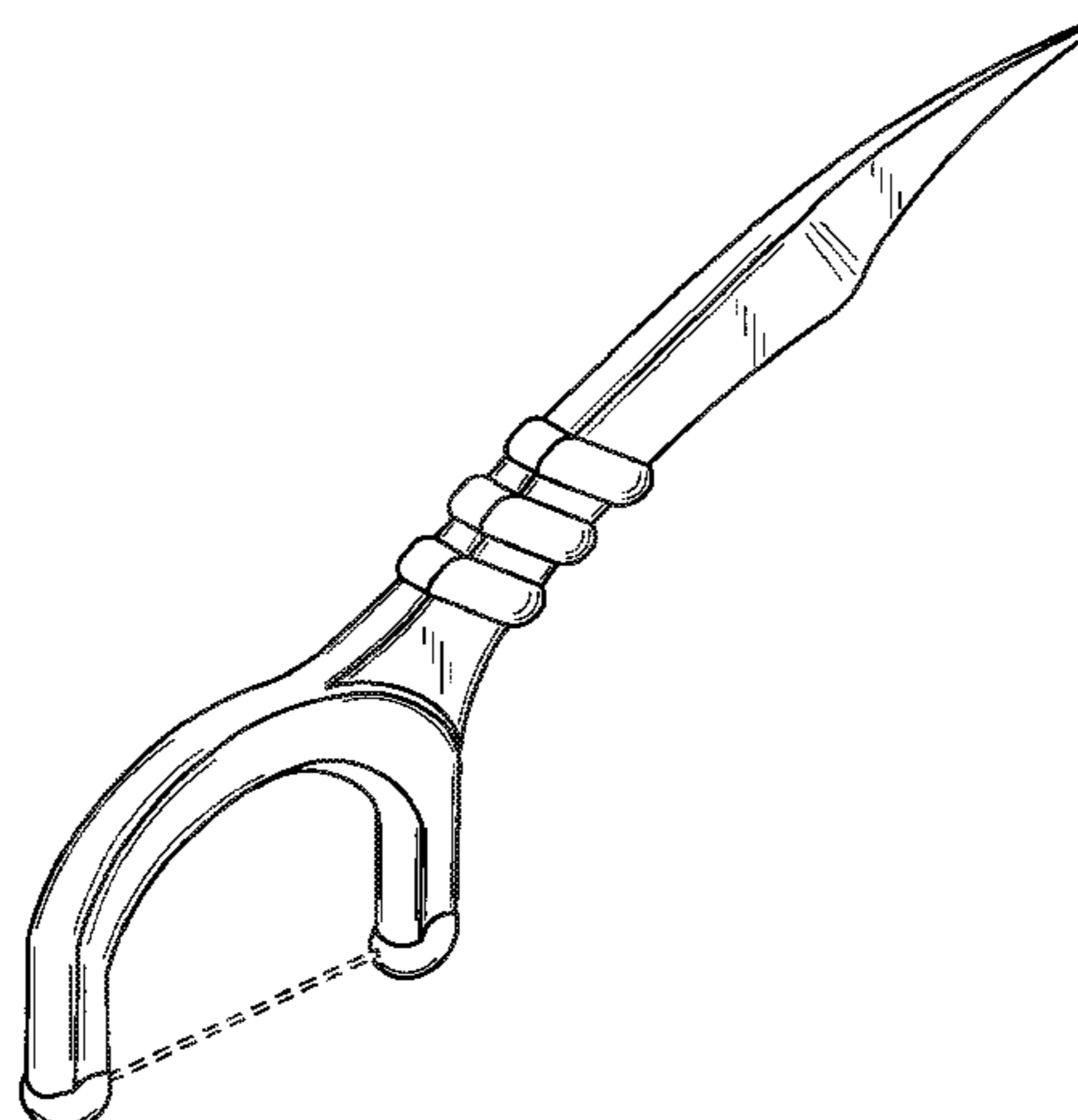
FIG. 5 is a rear elevational view of the dental floss pick of FIG. 1;

FIG. 6 is a top plan view of the dental floss pick of FIG. 1; and, FIG. 7 is a bottom plan view of the dental floss pick of FIG. 1.

The broken lines shown in the drawings are for illustrative purposes only and form no part of the claimed design.

(Continued)

1 Claim, 4 Drawing Sheets



US D610,748 S

Page 2

U.S. PATENT DOCUMENTS

5,538,023 A 7/1996 Oczkowski et al.
D374,744 S * 10/1996 Dolan et al. D28/68
5,692,531 A 12/1997 Chodorow
D398,076 S 9/1998 Hafkin
D401,701 S 11/1998 Chodorow
5,829,458 A 11/1998 Chodorow
D403,120 S 12/1998 Enriquez
D410,115 S 5/1999 Chodorow
D412,043 S 7/1999 Dolan et al.
5,975,296 A * 11/1999 Dolan et al. 206/368
D424,748 S 5/2000 Dolan et al.
D481,829 S 11/2003 Gwen
D484,643 S 12/2003 Nanda
D489,490 S 5/2004 Chodorow
D497,222 S 10/2004 Ochs et al.
D523,934 S 6/2006 Schaffeld et al.
D525,392 S * 7/2006 Crossman D28/65
D531,756 S * 11/2006 Yost et al. D28/68

D531,758 S 11/2006 Jansheski et al.
D532,160 S 11/2006 Jansheski et al.
D532,934 S 11/2006 Crossman
D545,499 S 6/2007 Xu
7,370,658 B2 5/2008 Chodorow et al.
2007/0017546 A1 1/2007 Brown
2007/0157946 A1 7/2007 Lui et al.
2008/0185016 A1 8/2008 Jansheski et al.

FOREIGN PATENT DOCUMENTS

WO WO 00/36993 6/2000
WO WO 01/12100 2/2001

OTHER PUBLICATIONS

Floss Accessories from <http://ranir.com/travel-12.html>, Feb. 11, 2009, 10 pages, © Johnson and Johnson Corporation.
Plackers® Dental Products From Placontrol from <http://www.dentist.net/plackers.asp>, Feb. 11, 2009, 8 pages.

* cited by examiner

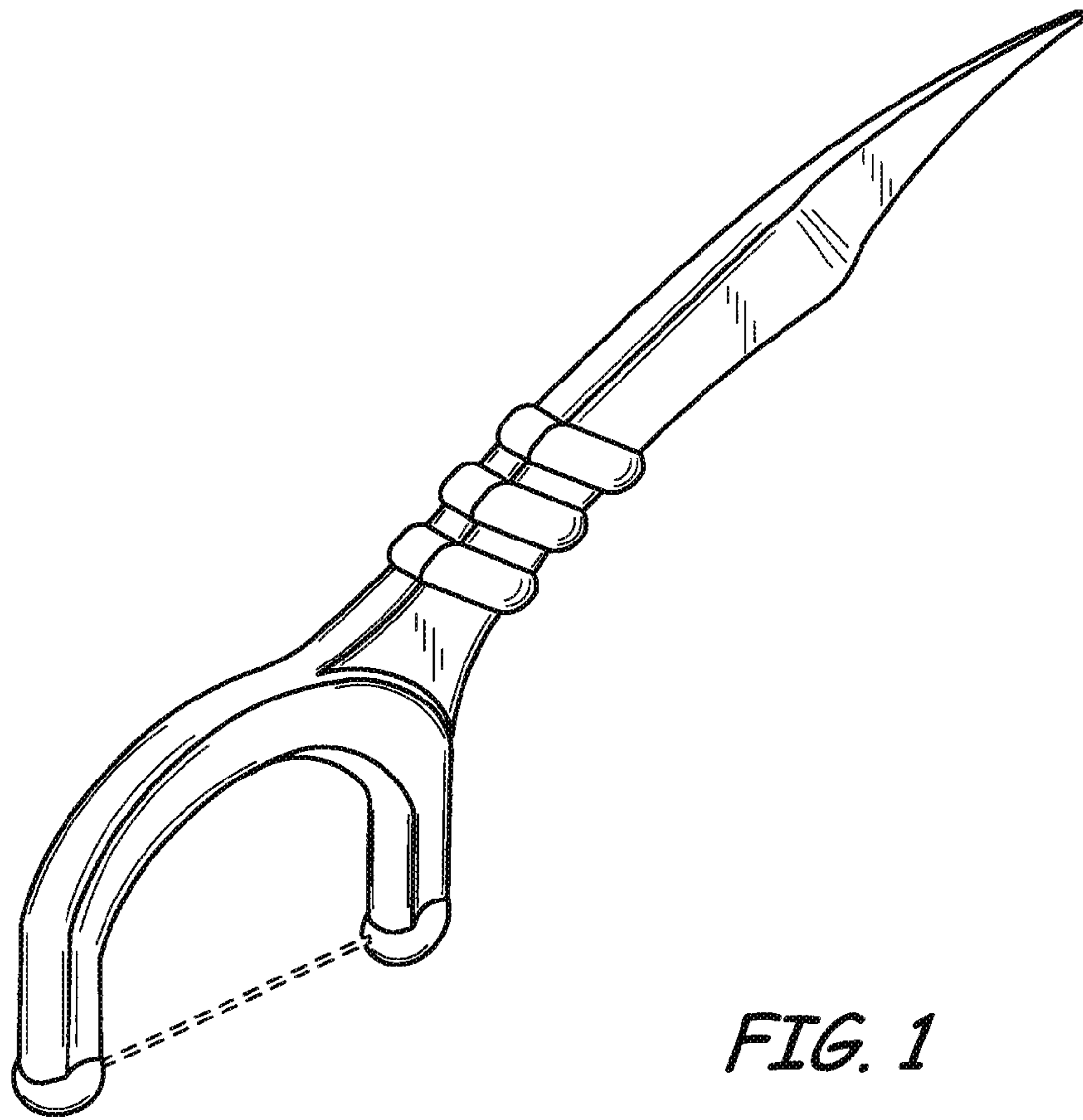


FIG. 1

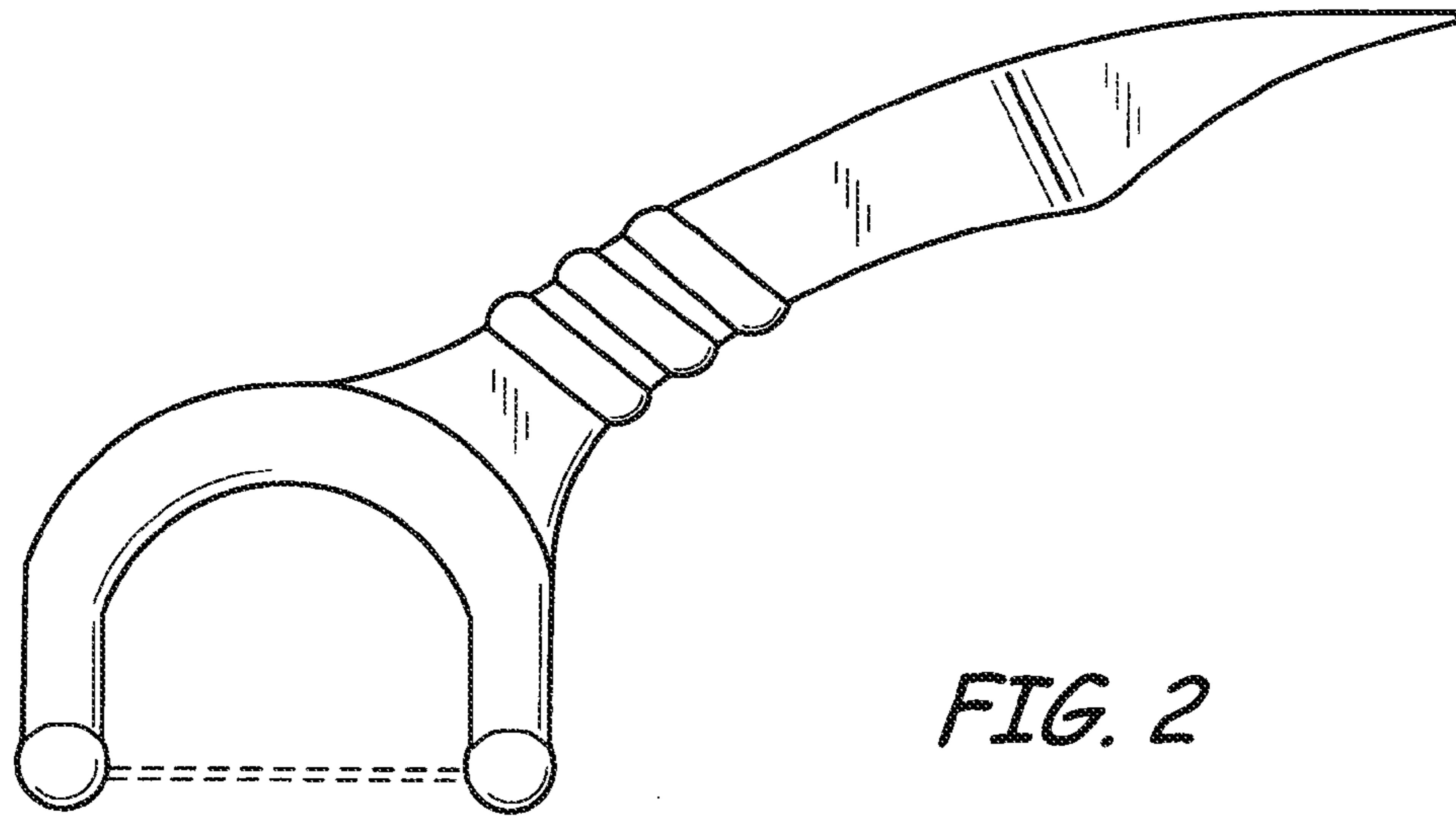


FIG. 2

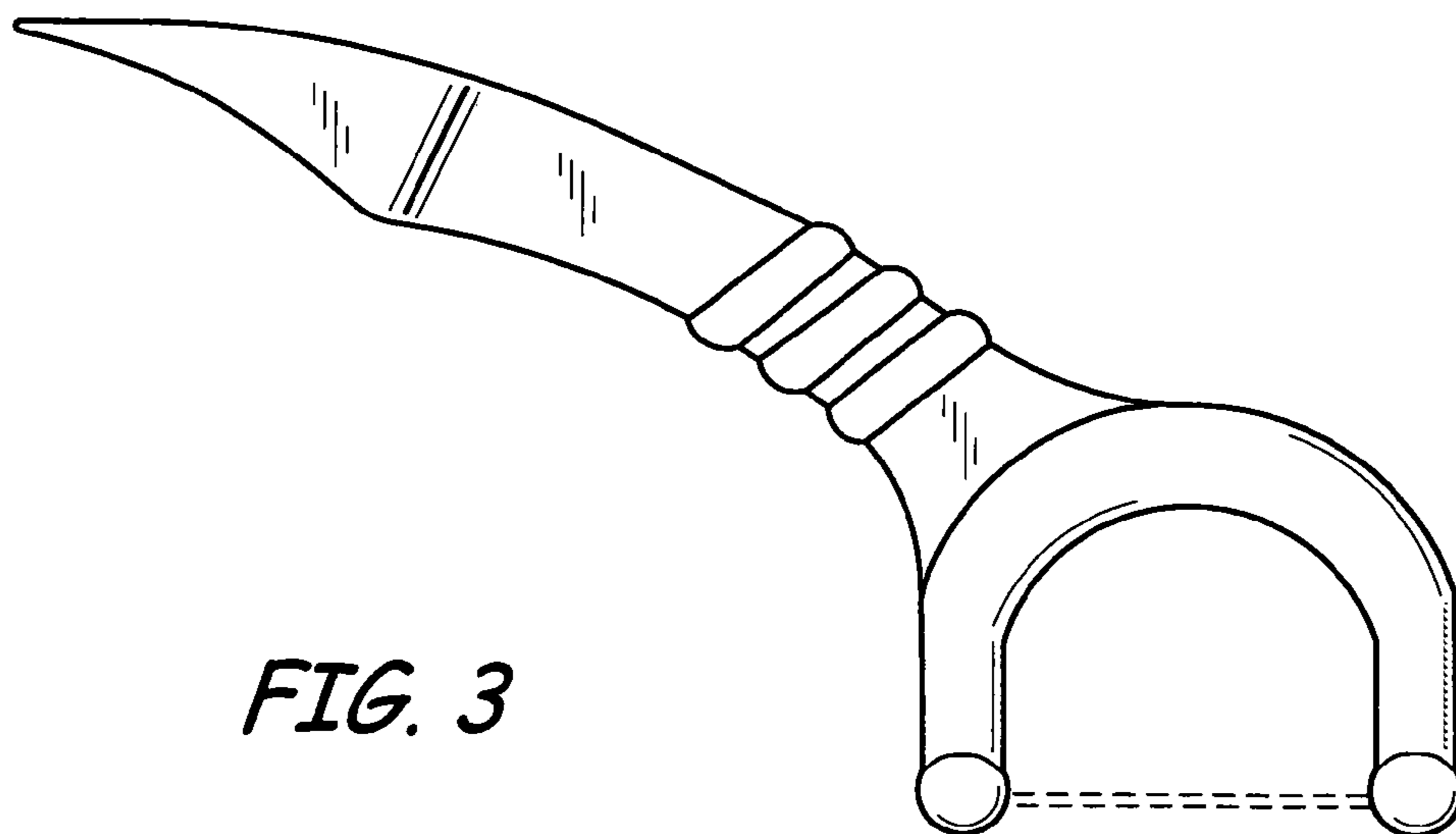


FIG. 3

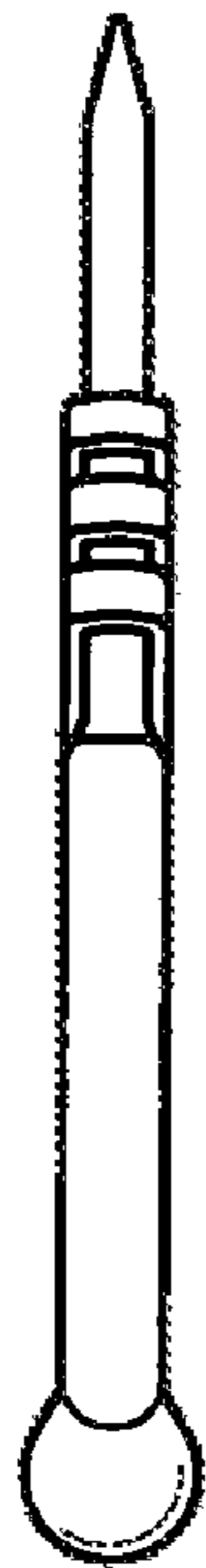


FIG. 4

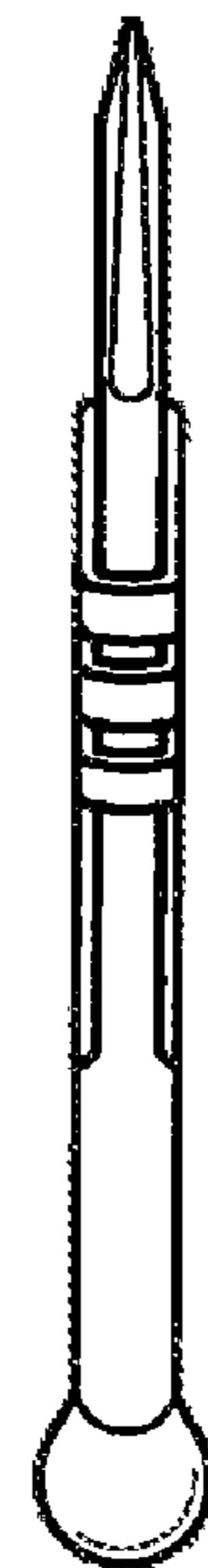


FIG. 5

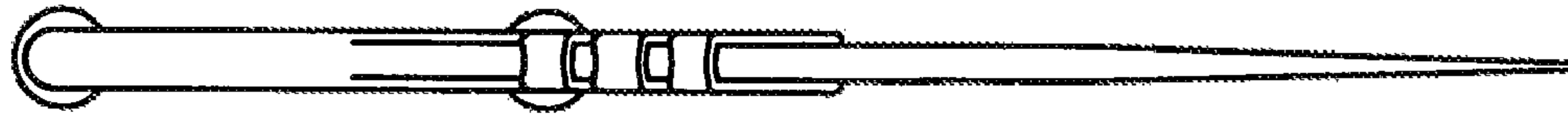


FIG. 6



FIG. 7