



US00D610747S

(12) **United States Design Patent**
Brownell

(10) **Patent No.:** **US D610,747 S**

(45) **Date of Patent:** **** Feb. 23, 2010**

(54) **DISPOSABLE DENTAL FLOSS PICK SET**

6,213,132 B1 4/2001 Andrews

(76) **Inventor:** **Roy Brownell**, P.O. Box 28203, Las Vegas, NV (US) 89126

Primary Examiner—Janice E Seeger

Assistant Examiner—Zenia I Bennett

(74) *Attorney, Agent, or Firm*—Veronica-Adele R. Cao; Weiss & Moy, P.C.

(**) **Term:** **14 Years**

(21) **Appl. No.:** **29/329,500**

(57) **CLAIM**

(22) **Filed:** **Dec. 16, 2008**

The ornamental design for a disposable dental floss pick set, as shown and described.

(51) **LOC (9) Cl.** **28-03**

(52) **U.S. Cl.** **D28/65; D28/66**

(58) **Field of Classification Search** D28/31, D28/56, 65-68, 73; D24/152; 433/141, 433/146-147; 132/322-329

See application file for complete search history.

DESCRIPTION

FIG. 1 is an elevated perspective view of a disposable dental floss pick set of the present invention.

FIG. 2 is front view of the disposable dental floss pick set of FIG. 1.

FIG. 3 is a top view of the disposable dental floss pick set of FIG. 1.

FIG. 4 is a left side view of the disposable dental floss pick set of FIG. 1; and,

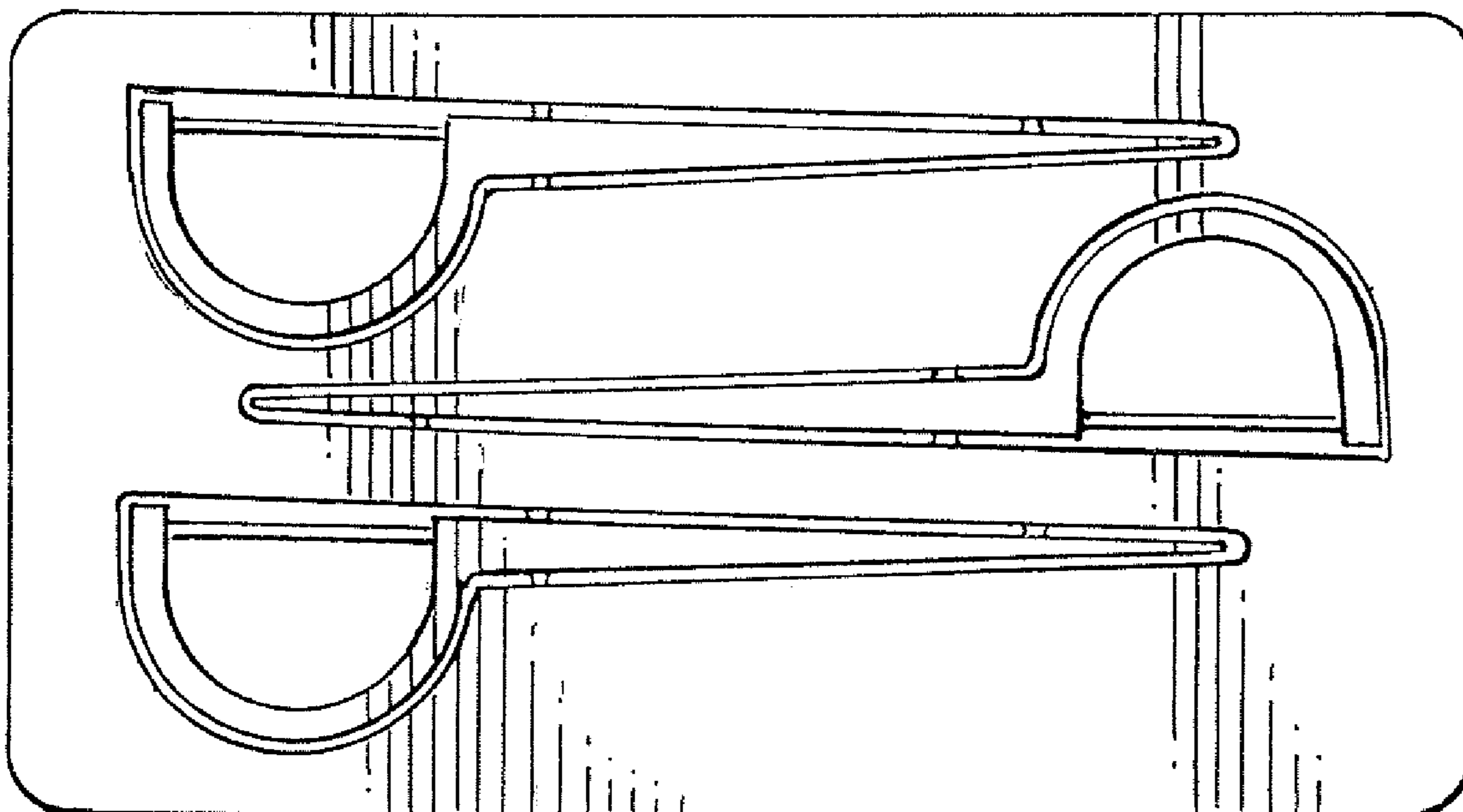
FIG. 5 is an elevated perspective view of the disposable dental floss pick set of FIG. 1, shown with one dental floss pick disengaged from the set.

(56) **References Cited**

U.S. PATENT DOCUMENTS

D244,376 S	5/1977	Chodorow
4,280,518 A	7/1981	Gambaro
D307,493 S	4/1990	Cheng
5,113,880 A	5/1992	Honda et al.
5,735,300 A	4/1998	Higgins
5,855,215 A	1/1999	Clarke
6,044,848 A	4/2000	Huang

1 Claim, 1 Drawing Sheet



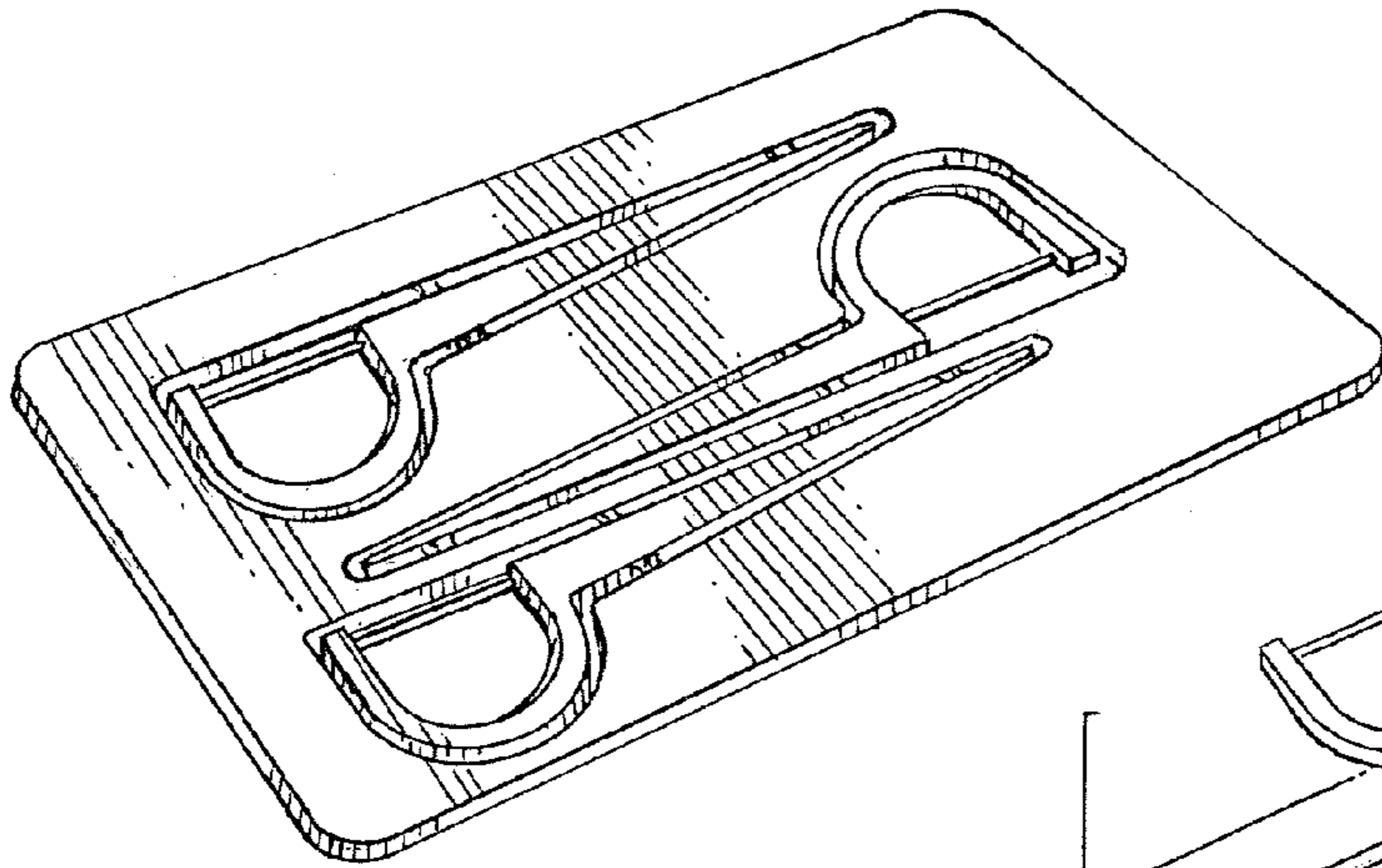


Fig. 1

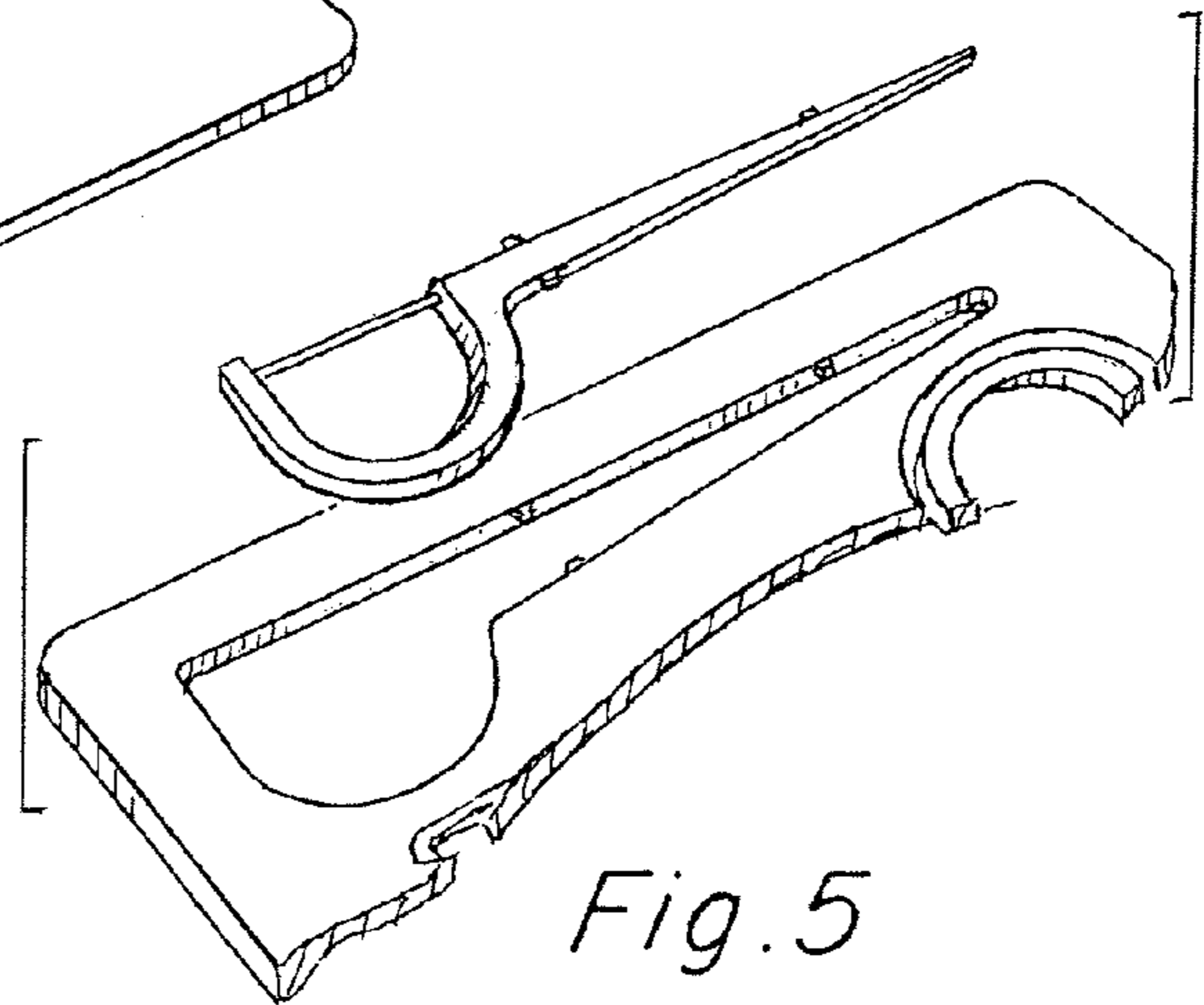


Fig. 5



Fig. 4

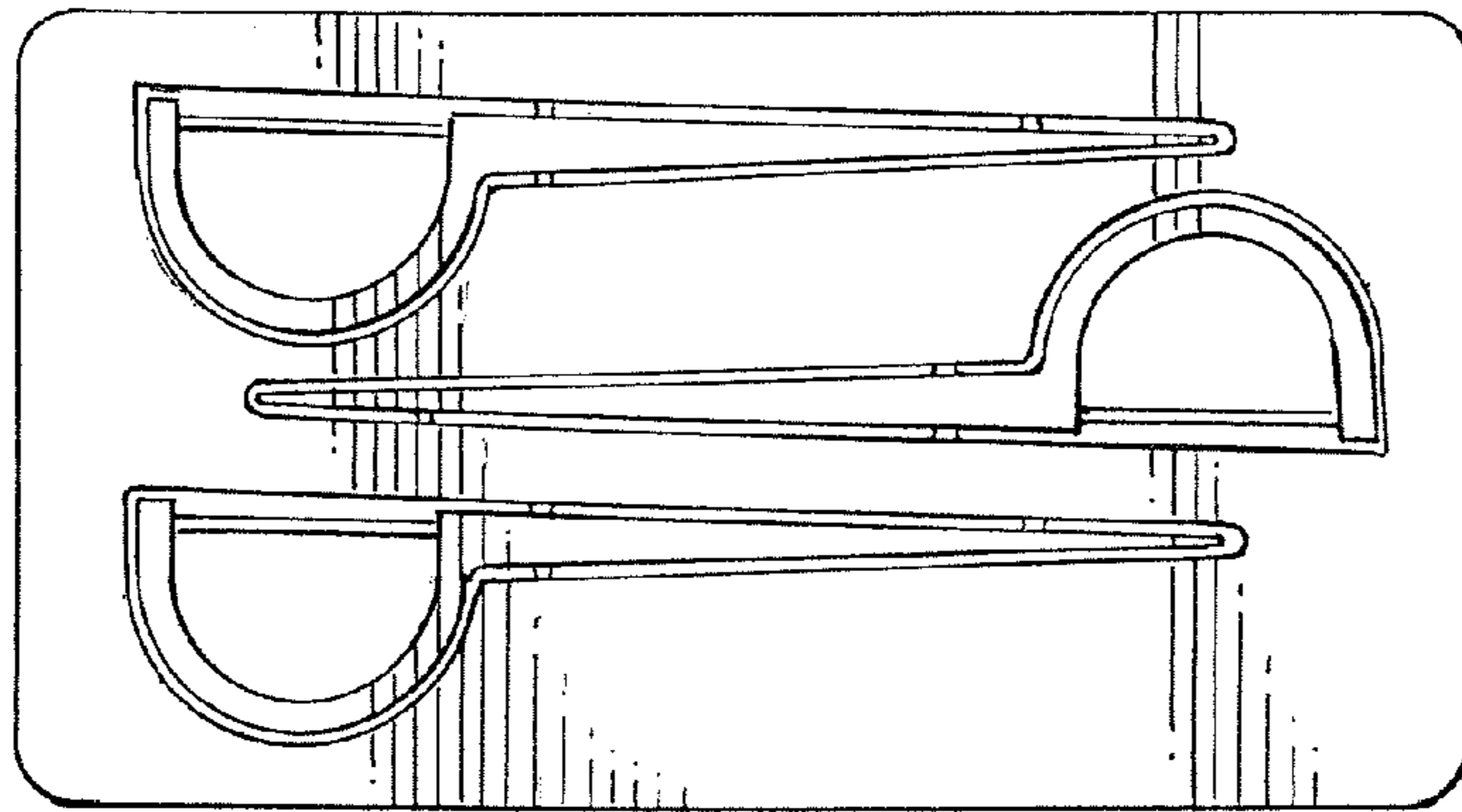


Fig. 2

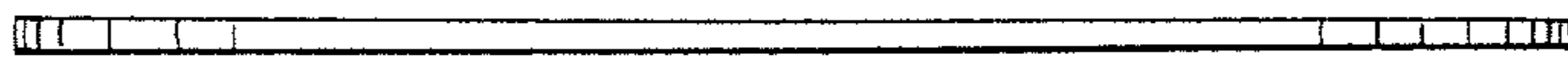


Fig. 3