



US00D610746S

(12) **United States Design Patent**
Hsu

(10) **Patent No.:** **US D610,746 S**

(45) **Date of Patent:** **** Feb. 23, 2010**

(54) **BLOWER FOR A HAND DRYER**

(75) Inventor: **Chi-Chin Hsu**, Rueifang Township,
Taipei County (TW)

(73) Assignee: **Hokwang Industries Co., Ltd.**, Taipei
County (TW)

(**) Term: **14 Years**

(21) Appl. No.: **29/334,340**

(22) Filed: **Mar. 25, 2009**

(51) **LOC (9) Cl.** **28-03**

(52) **U.S. Cl.** **D28/54.1**

(58) **Field of Classification Search** D28/12,
D28/54.1, 58; 34/266, 201, 202; 392/381,
392/380; D23/357, 361, 383, 385; D13/112,
D13/122; D15/5, 7

See application file for complete search history.

(56) **References Cited**

U.S. PATENT DOCUMENTS

D291,487 S	*	8/1987	Delmas	D23/383
D480,467 S	*	10/2003	White	D23/383
D481,116 S	*	10/2003	Wang et al.	D23/383
D484,966 S	*	1/2004	Yamamoto	D23/383
D491,259 S	*	6/2004	Garrison et al.	D23/383
D510,995 S	*	10/2005	Tam	D23/383
D511,826 S	*	11/2005	Demirdjian et al.	D23/383
D533,934 S	*	12/2006	Chen Han	D23/383

D534,269 S	*	12/2006	Liang	D23/383
D537,517 S	*	2/2007	Hancock	D23/383
D537,518 S	*	2/2007	Teufel	D23/383
D546,438 S	*	7/2007	Demirdjian et al.	D23/383
D568,459 S	*	5/2008	Wang	D23/383

* cited by examiner

Primary Examiner—Janice E Seeger

Assistant Examiner—Zenia I Bennett

(57) **CLAIM**

The ornamental design for a blower for a hand dryer, as shown and described.

DESCRIPTION

FIG. 1 is a perspective view of a blower for a hand dryer showing my new design thereof;

FIG. 2 is a right side elevational view thereof;

FIG. 3 is a top plan view thereof;

FIG. 4 is a front side elevational view thereof;

FIG. 5 is a bottom plan view thereof;

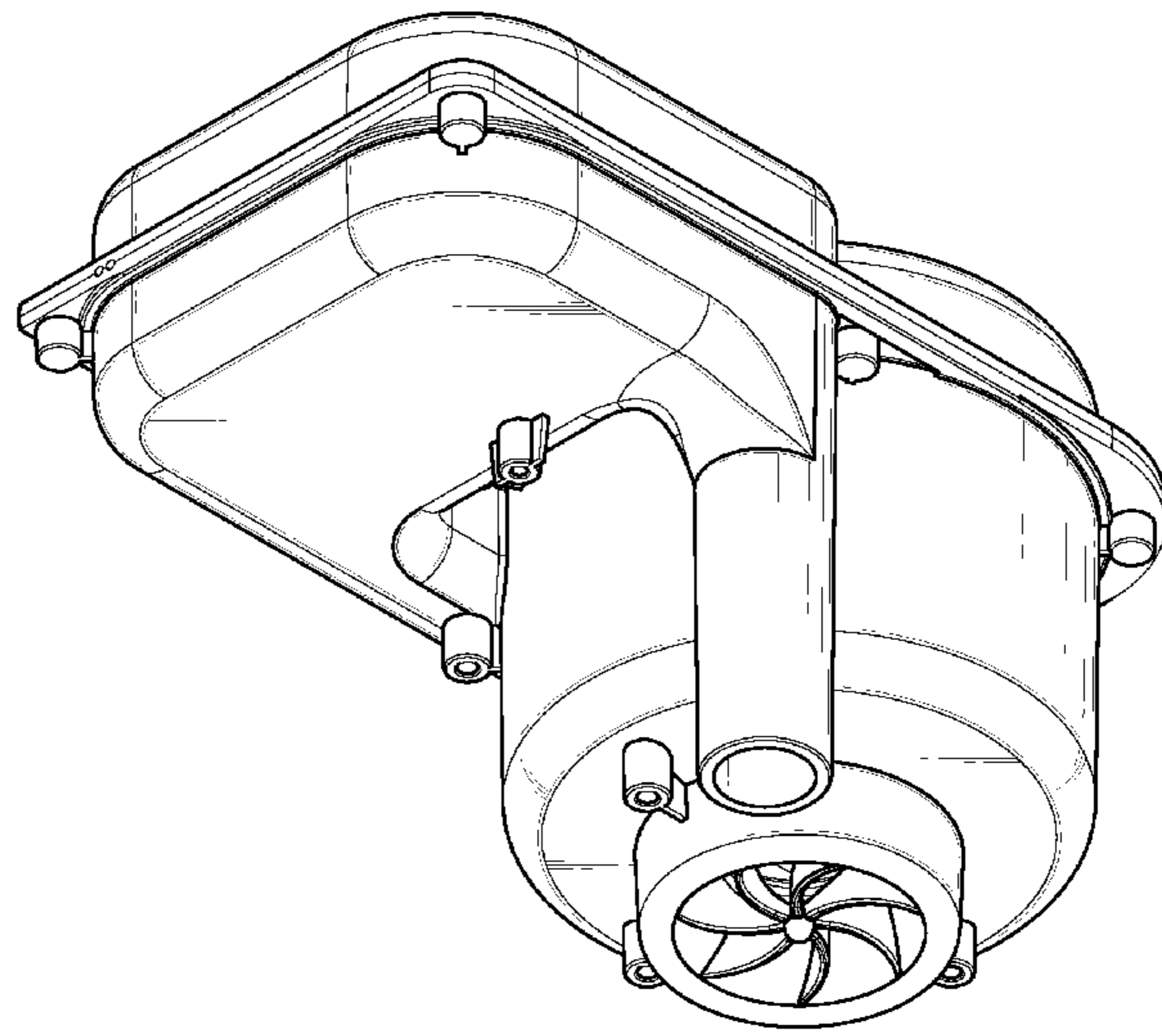
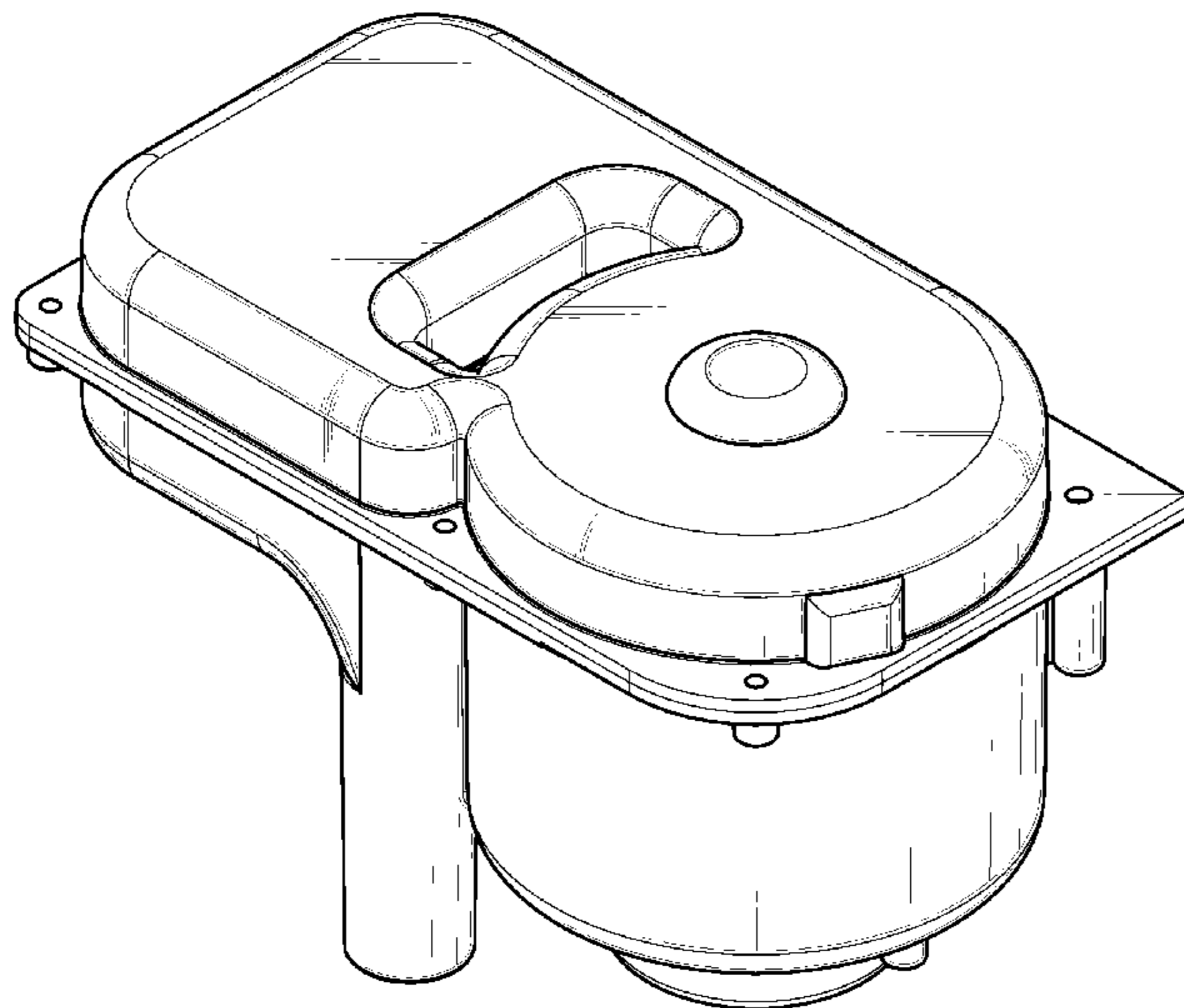
FIG. 6 is a left side elevational view thereof;

FIG. 7 is a rear side elevational view thereof; and,

FIG. 8 is another perspective view thereof.

The broken lines are for environmental purposes only and form no part of the claimed design.

1 Claim, 5 Drawing Sheets



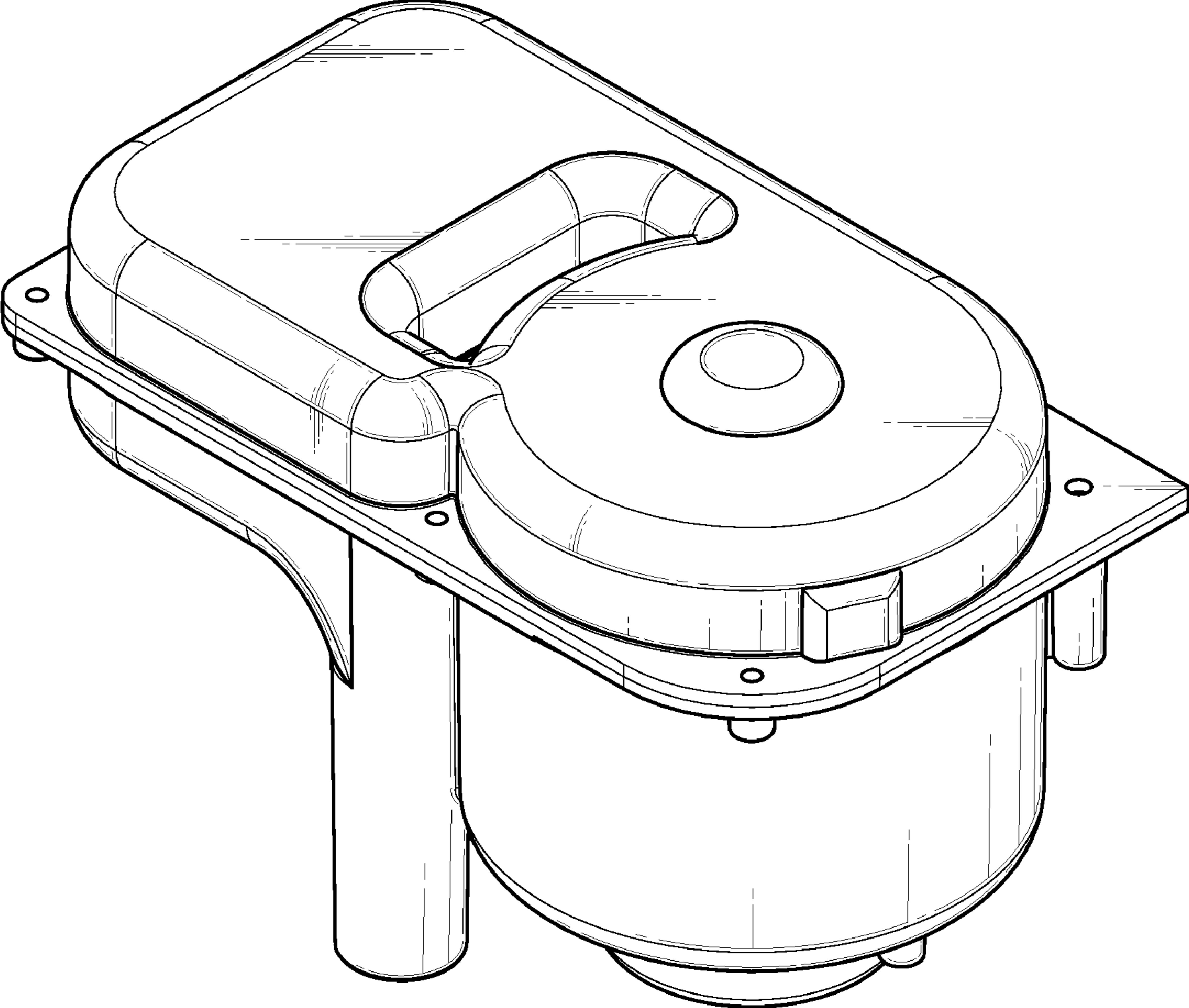


Fig. 1

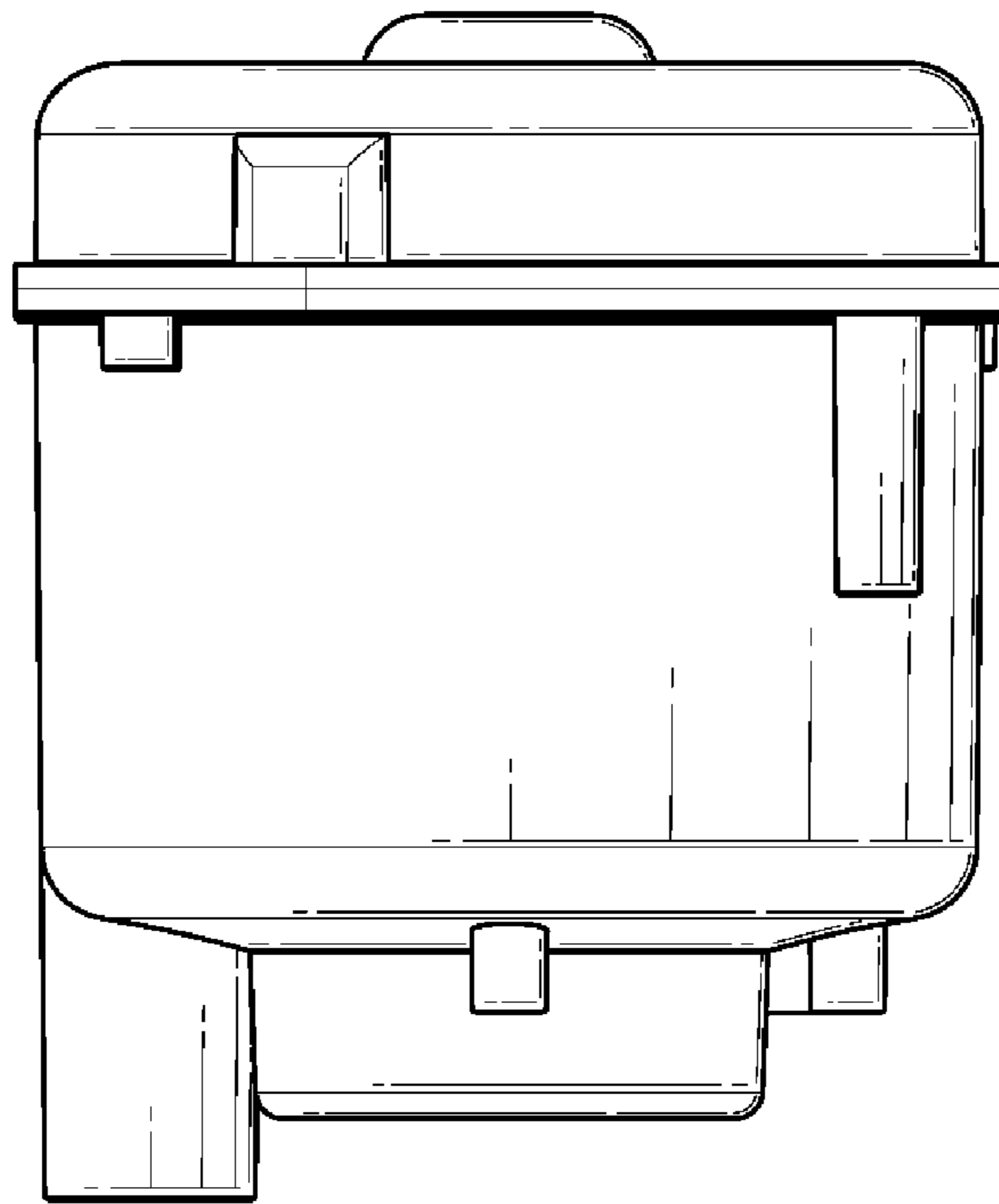


Fig. 2

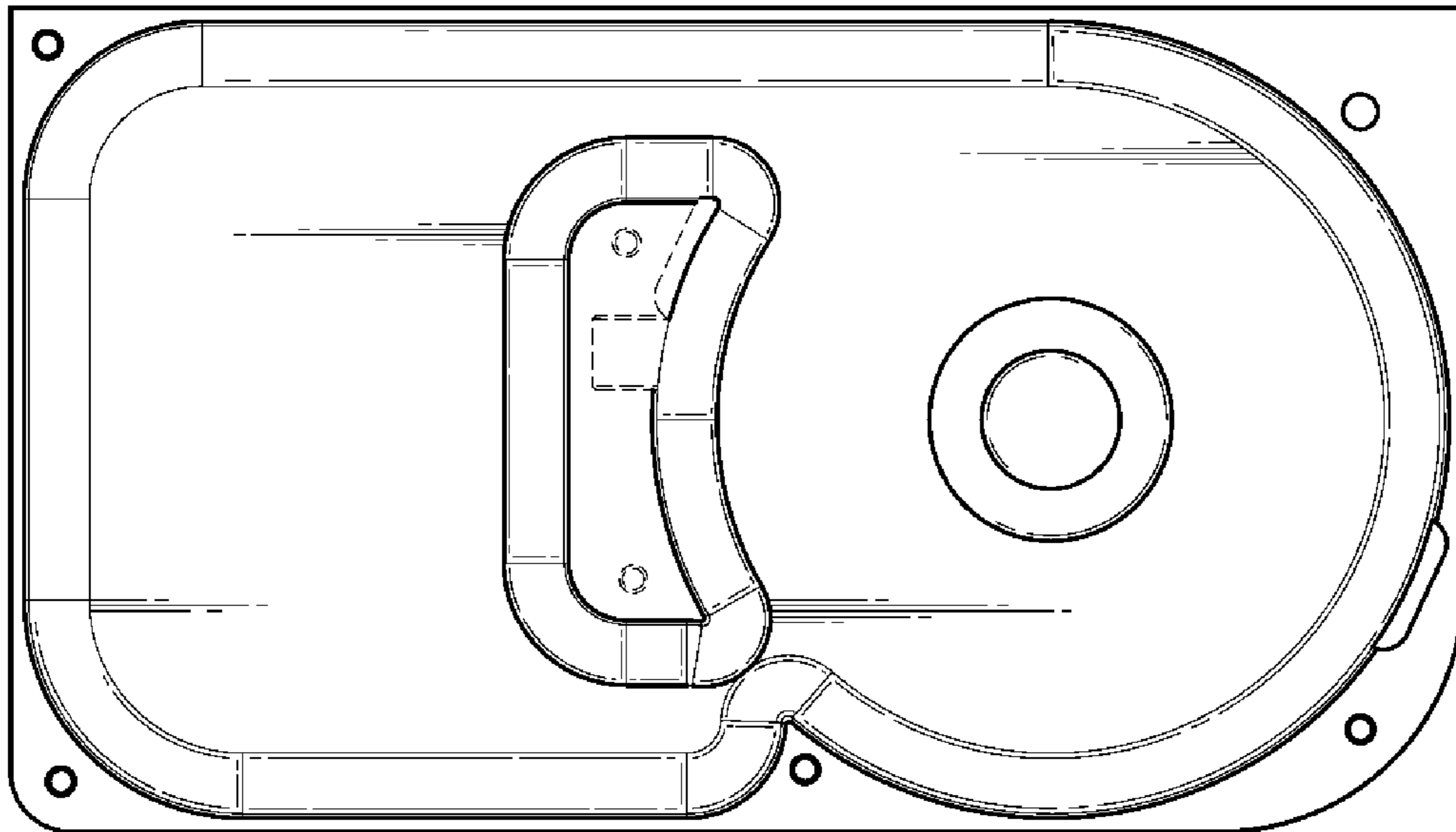


Fig. 3

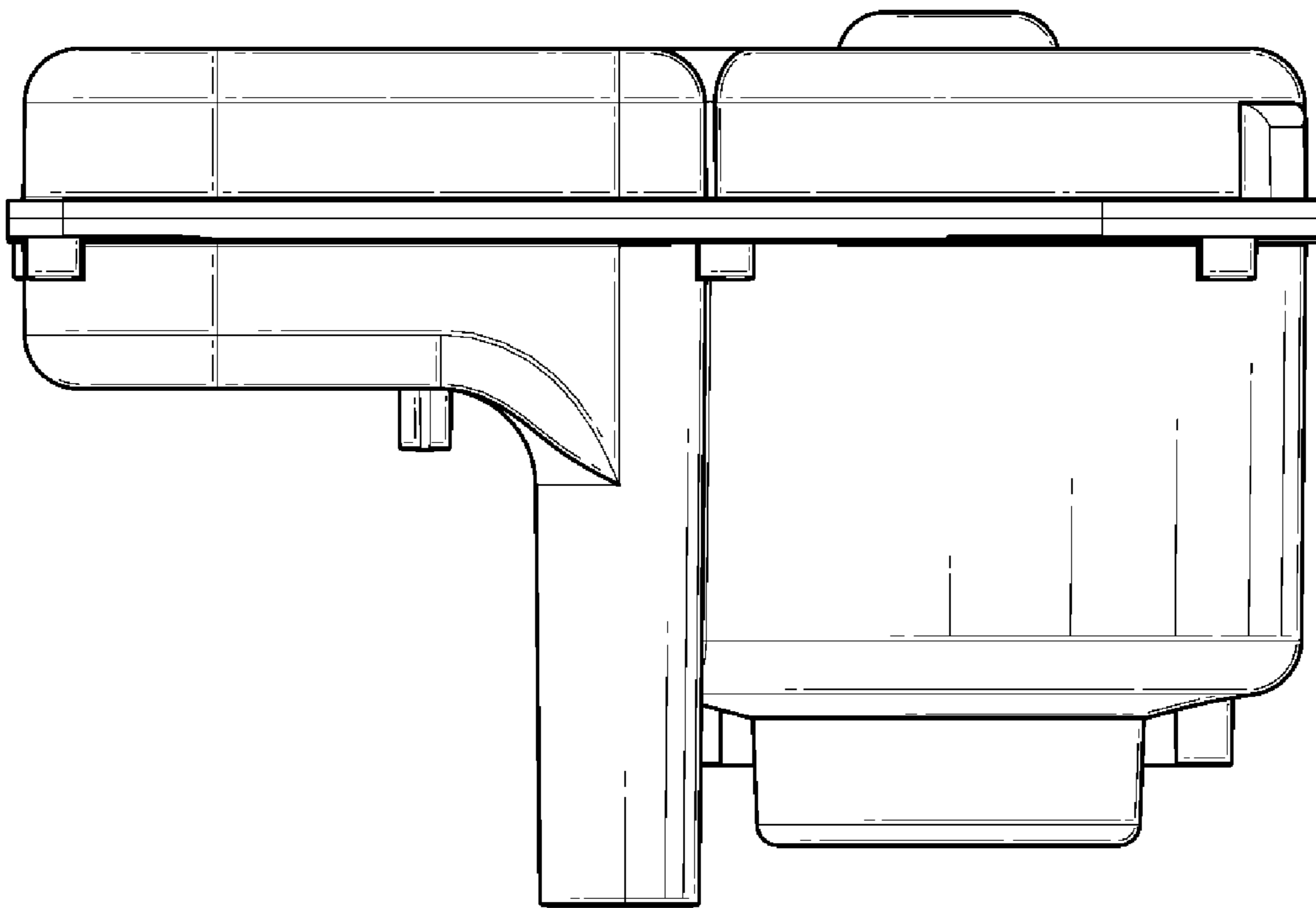


Fig. 4

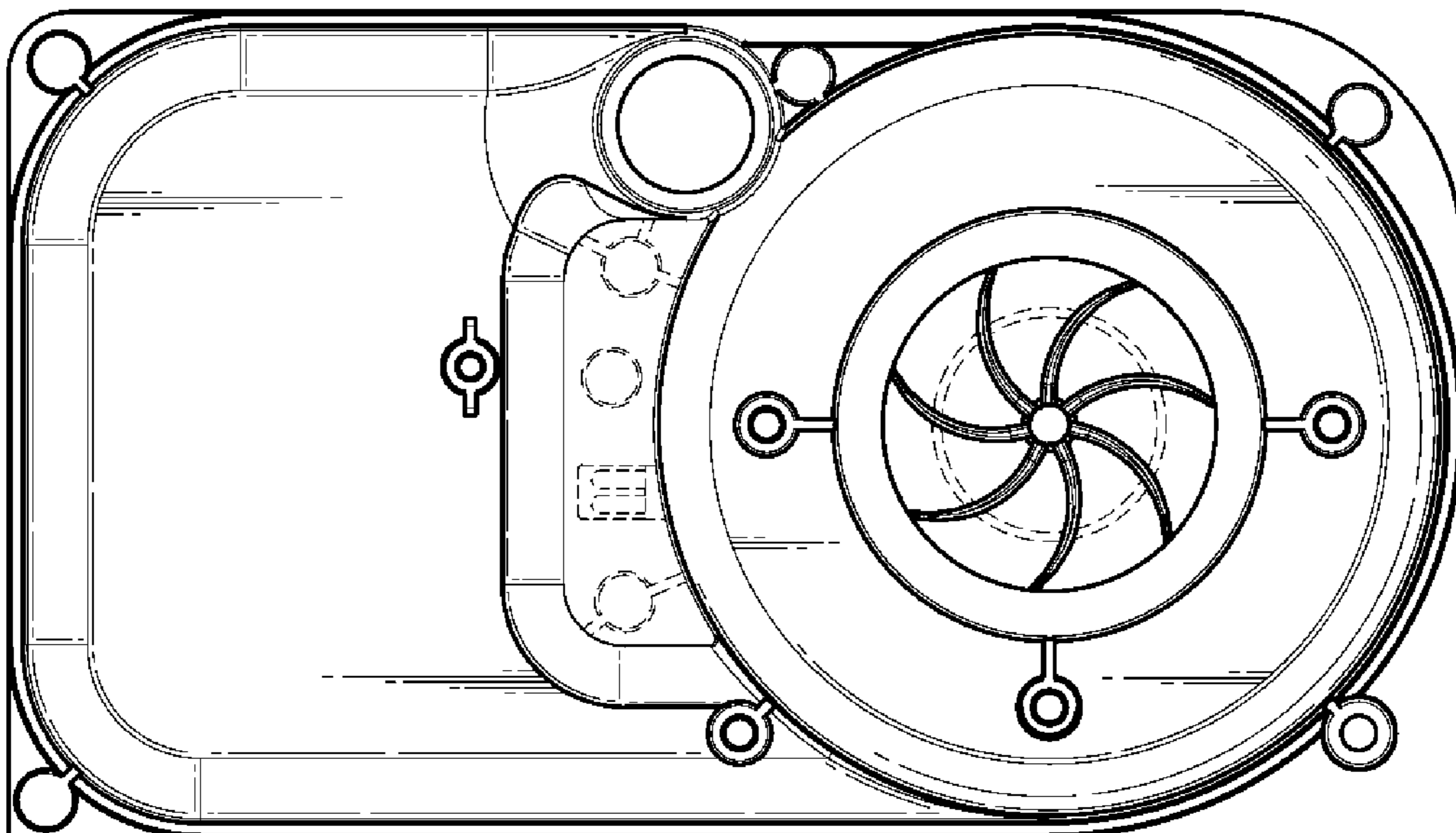


Fig. 5

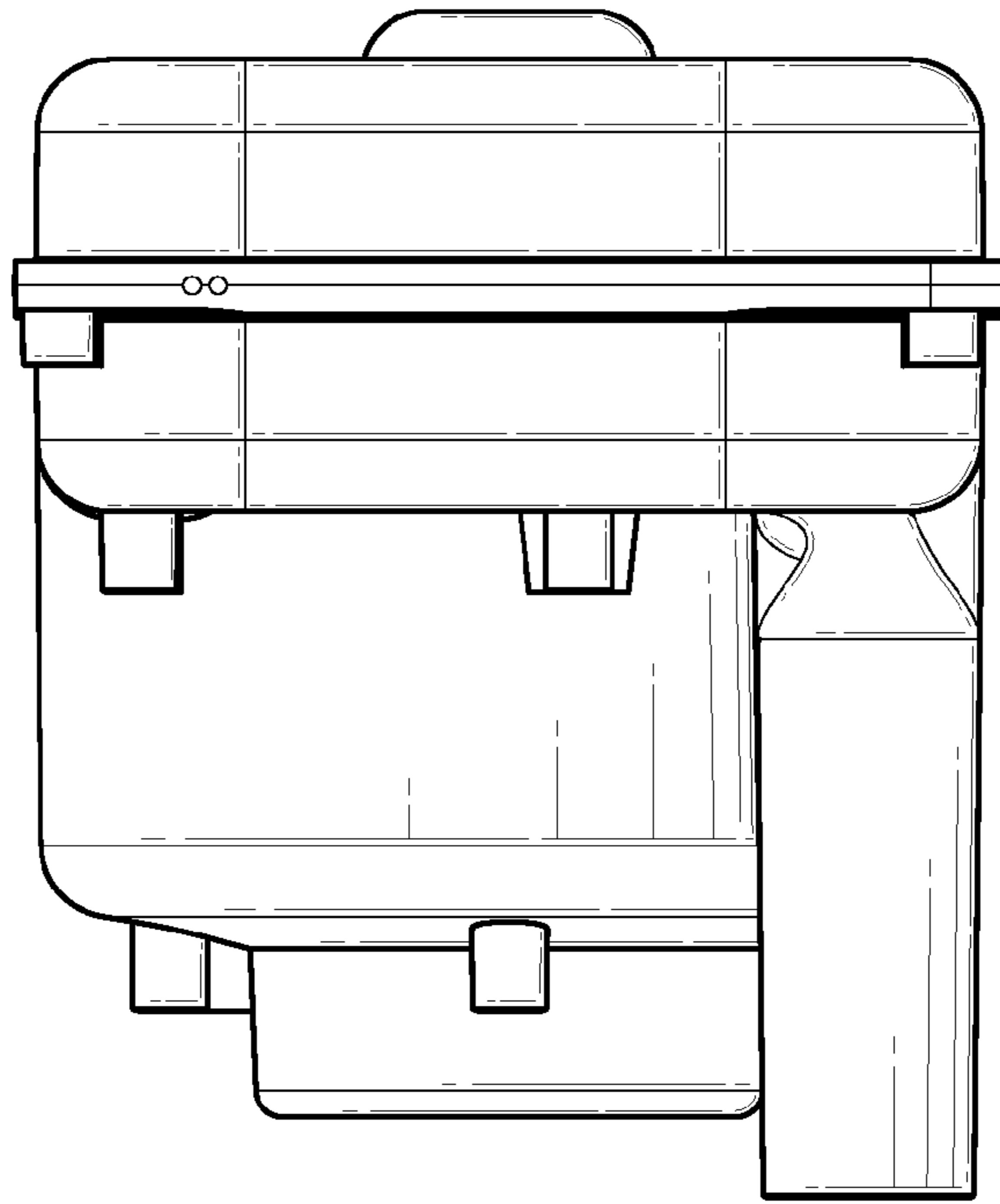


Fig. 6

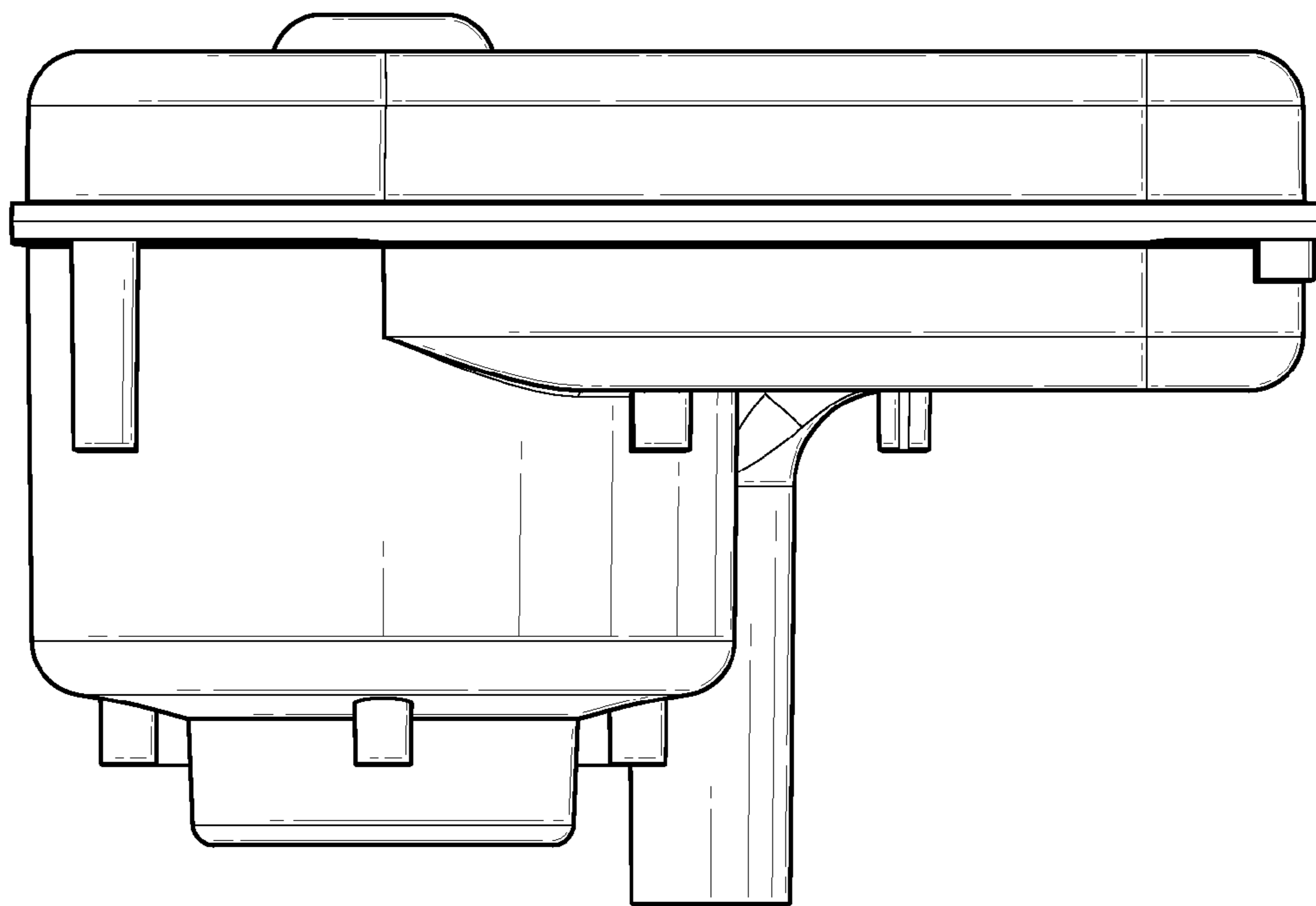


Fig. 7

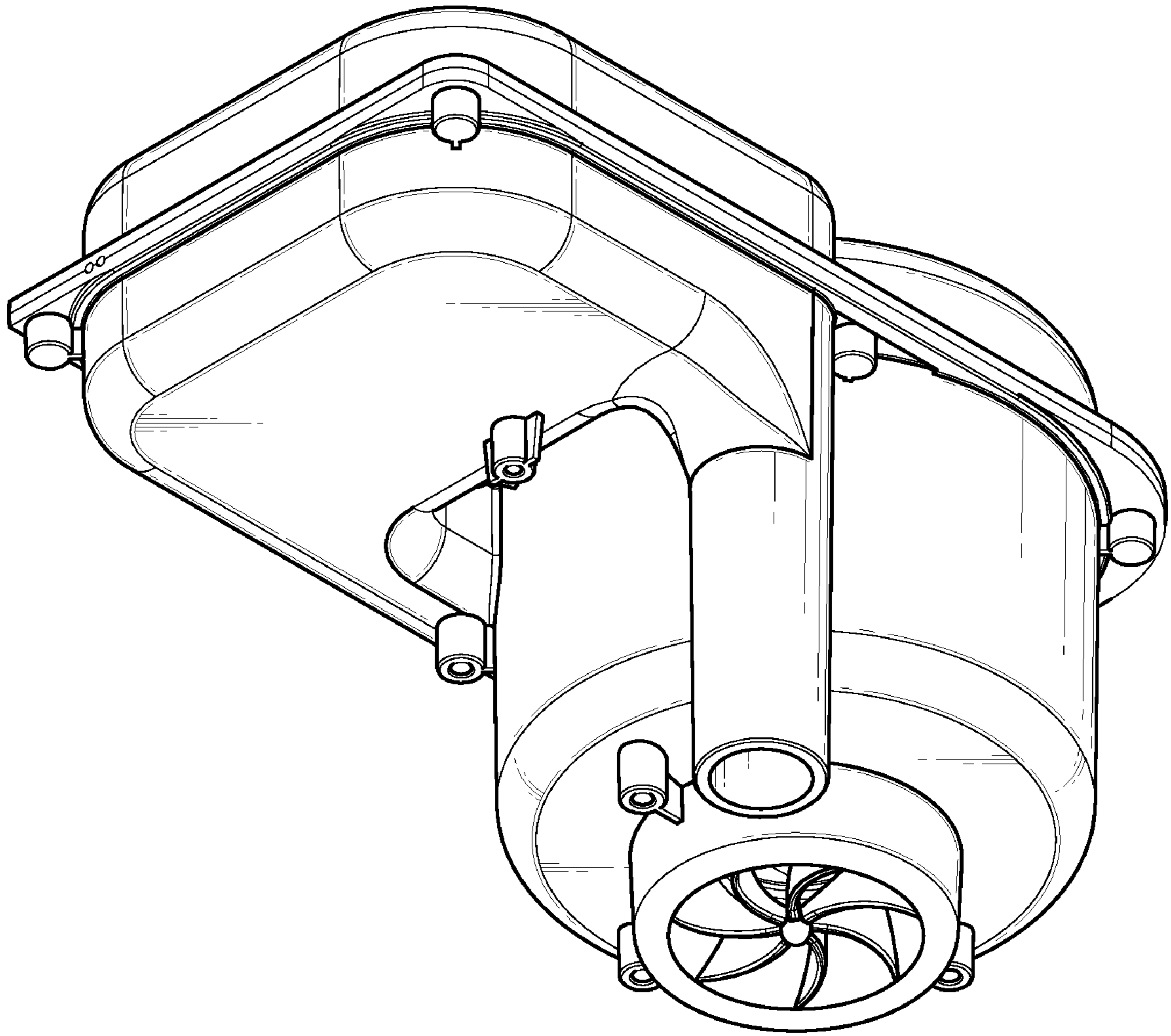


Fig. 8