



US00D610736S

(12) **United States Design Patent**
Klaus

(10) **Patent No.:** **US D610,736 S**

(45) **Date of Patent:** **** Feb. 23, 2010**

(54) **LIGHT**

(75) Inventor: **Adolph Klaus**, Bonn (DE)

(73) Assignee: **Zumtobel Lighting GmbH**, Dornbirn (AT)

(**) Term: **14 Years**

(21) Appl. No.: **29/341,756**

(22) Filed: **Aug. 12, 2009**

Related U.S. Application Data

(62) Division of application No. 29/324,612, filed on Sep. 16, 2008.

(30) **Foreign Application Priority Data**

Mar. 18, 2008 (EM) 000912977

(51) **LOC (9) Cl.** **26-03**

(52) **U.S. Cl.** **D26/76**

(58) **Field of Classification Search** D26/24-28, D26/37, 67-68, 72, 74-78, 80, 85, 88, 89, D26/104, 108, 118, 120-122; 362/132, 145, 362/147-150, 157, 217-225, 228, 260, 262-264, 362/267, 310, 345, 364, 365, 368, 432, 440
See application file for complete search history.

(56) **References Cited**

U.S. PATENT DOCUMENTS

1,150,118 A * 8/1915 Hewitt 362/84
D130,059 S * 10/1941 Herr D26/78
D133,986 S * 10/1942 Gordon D26/76

D134,081 S * 10/1942 Gordon D26/76
D364,478 S * 11/1995 Pesau D26/76
D459,014 S * 6/2002 Chen D26/85
D463,058 S * 9/2002 Nourishad D26/76
D569,026 S * 5/2008 Silver D26/76
D597,242 S * 7/2009 Purcell D26/76

* cited by examiner

Primary Examiner—Philip S Hyder

Assistant Examiner—Susan E Krakower

(74) *Attorney, Agent, or Firm*—Marshall, Gerstein & Borun LLP

(57) **CLAIM**

The ornamental design for a light, as shown and described.

DESCRIPTION

FIG. 1 is an enlarged end view of the light that has the design.

FIG. 2 is a perspective view of the light showing the front, an end, and a side.

FIG. 3 is a perspective view of the light showing the back, an end, and a side.

FIG. 4 is a side view of the light, showing the side seen on the right side of FIG. 1.

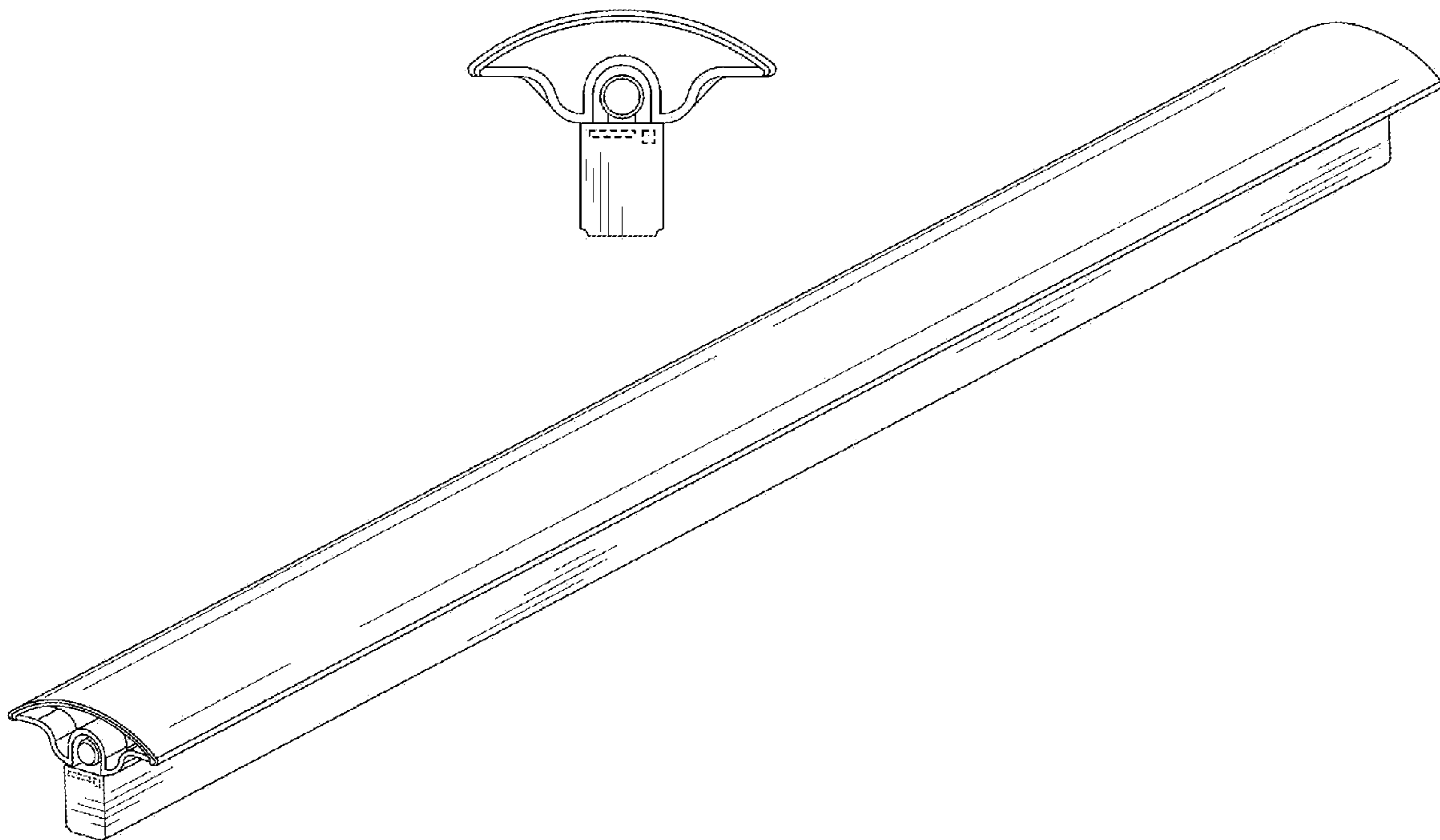
FIG. 5 is a front view of the light.

FIG. 6 is a side view of the light, showing the side seen on the left side of FIG. 5; and,

FIG. 7 is a back view of the light.

The broken lines illustrate portions of the light which forms no part of the claimed design.

1 Claim, 2 Drawing Sheets



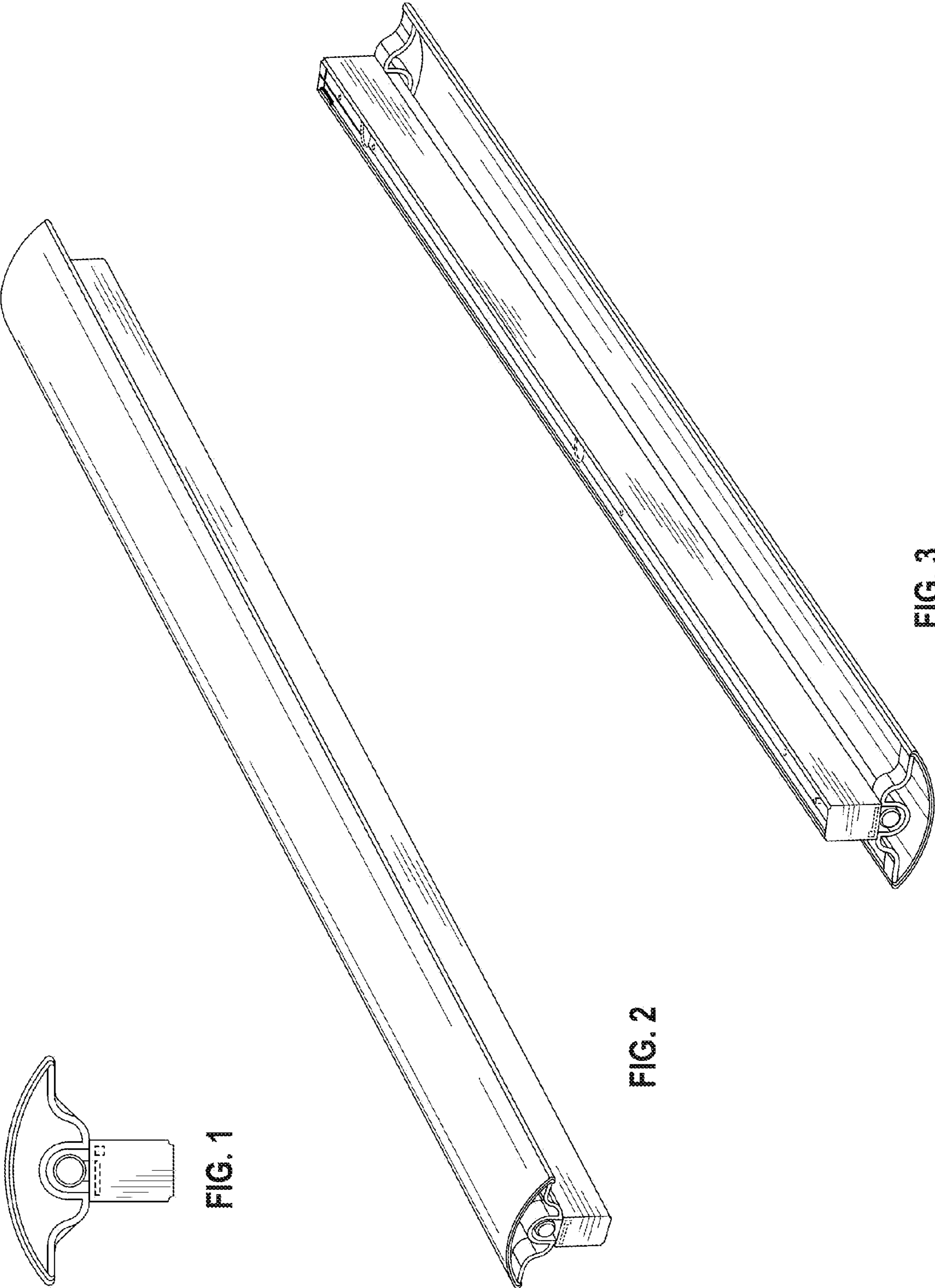


FIG. 1

FIG. 2

FIG. 3

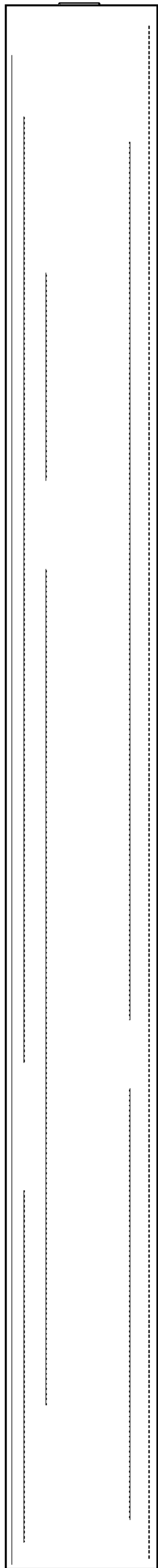


FIG. 4

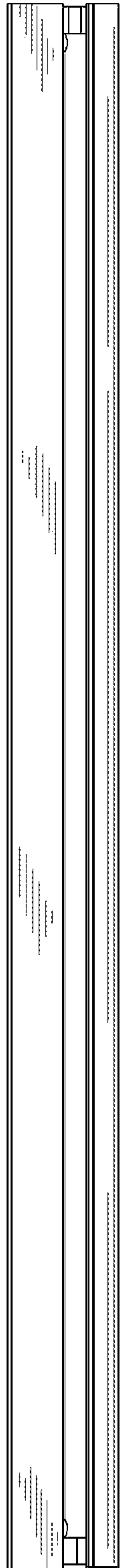


FIG. 5

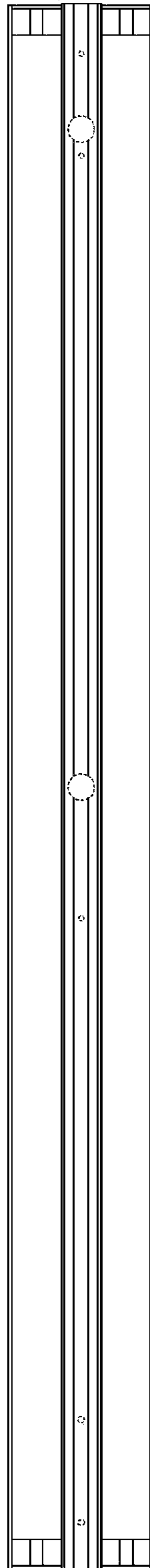


FIG. 6

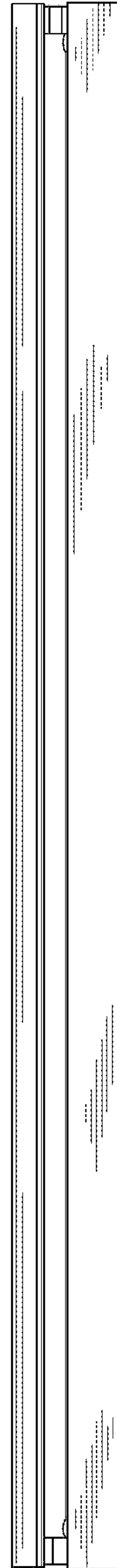


FIG. 7