



US00D610735S

(12) **United States Design Patent**
Chien

(10) **Patent No.:** **US D610,735 S**

(45) **Date of Patent:** **** Feb. 23, 2010**

(54) **PENDANT LAMP**

(75) Inventor: **Wen-Hsiang Chien**, Taipei (TW)

(73) Assignee: **Advanced Connectek Inc.**, Taipei (TW)

(**) Term: **14 Years**

(21) Appl. No.: **29/329,377**

(22) Filed: **Dec. 15, 2008**

(30) **Foreign Application Priority Data**

Nov. 10, 2008 (TW) 97306449

(51) **LOC (9) Cl.** **26-03**

(52) **U.S. Cl.** **D26/76**

(58) **Field of Classification Search** D26/3,
D26/37, 67, 72, 74-79, 81-92, 118, 120;
362/147, 217.07, 217.08, 218, 225, 132,
362/243, 260-263, 267, 283, 311, 337, 364,
362/800, 806; 315/51, 74, 246, 291; D23/372,
D23/328, 385

See application file for complete search history.

(56) **References Cited**

U.S. PATENT DOCUMENTS

D123,761	S	*	12/1940	Pieper	D26/24
D148,695	S	*	2/1948	Guth et al.	D26/76
2,899,541	A	*	8/1959	De Mauro	362/222
D204,558	S	*	4/1966	Zeitz	D26/71
4,148,095	A	*	4/1979	Haynen	362/223
D405,906	S	*	2/1999	Herst et al.	D26/76
D405,908	S	*	2/1999	Herst et al.	D26/76
D426,338	S	*	6/2000	Herst et al.	D26/75
D503,821	S	*	4/2005	Waldmann	D26/78
D543,651	S	*	5/2007	Hargreaves	D26/76
D543,654	S	*	5/2007	Hargreaves	D26/76
D544,983	S	*	6/2007	Hargreaves	D26/76

D544,985 S * 6/2007 Hargreaves D26/78

* cited by examiner

Primary Examiner—Philip S Hyder

Assistant Examiner—Susan E Krakower

(74) *Attorney, Agent, or Firm*—Jianq Chyun IP Office

(57) **CLAIM**

The ornamental design for a pendant lamp, as shown and described.

DESCRIPTION

FIG. 1 is a perspective view of a pendant lamp showing the new design;

FIG. 2 is a front view thereof;

FIG. 3 is a rear view thereof;

FIG. 4 is a left side view thereof;

FIG. 5 is a right side view thereof;

FIG. 6 is a top view thereof;

FIG. 7 is a bottom view thereof;

FIG. 8 is another perspective view thereof;

FIG. 9 is a partially enlarged view of FIG. 1;

FIG. 10 is a partially enlarged view of FIG. 8;

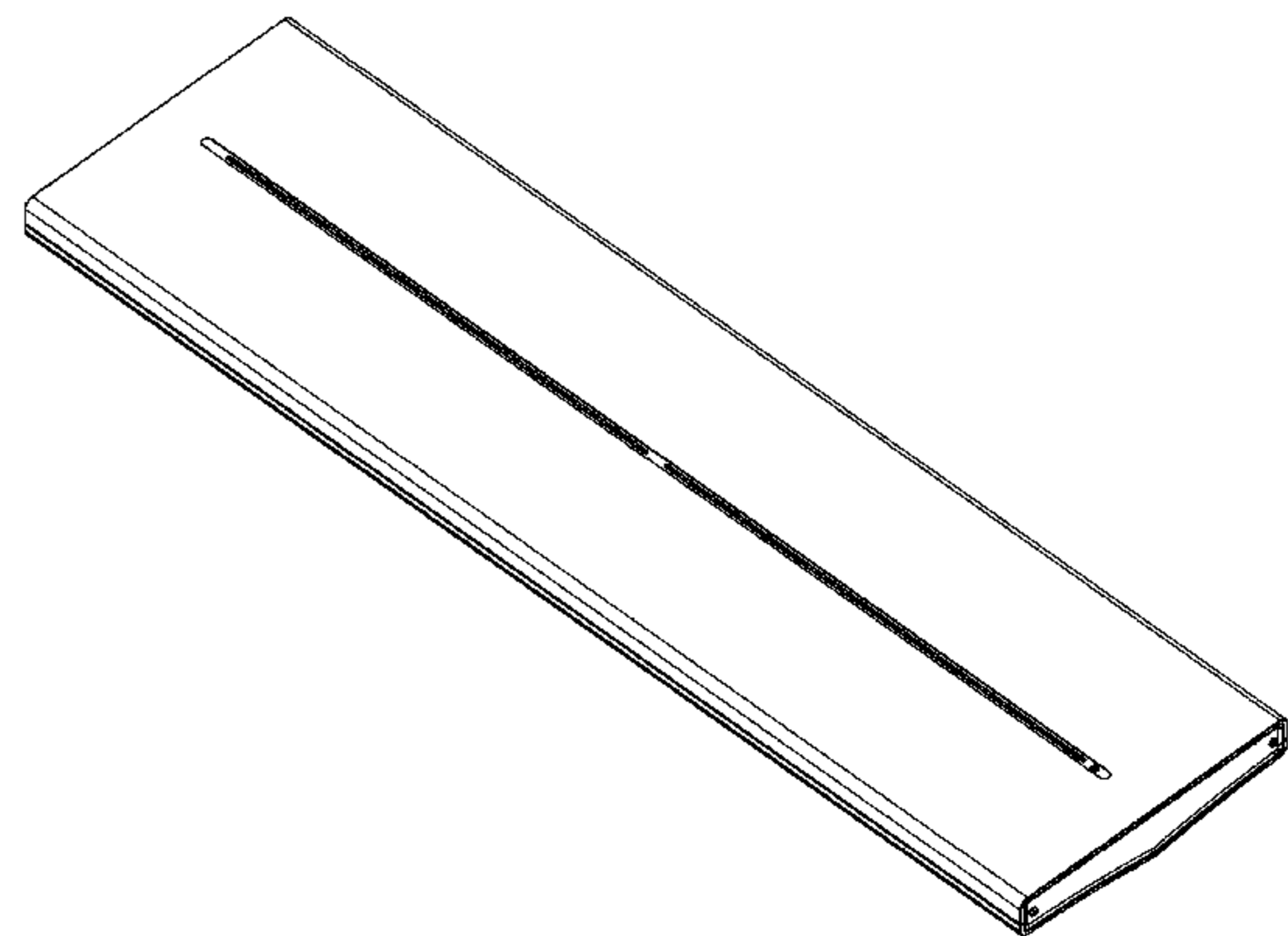
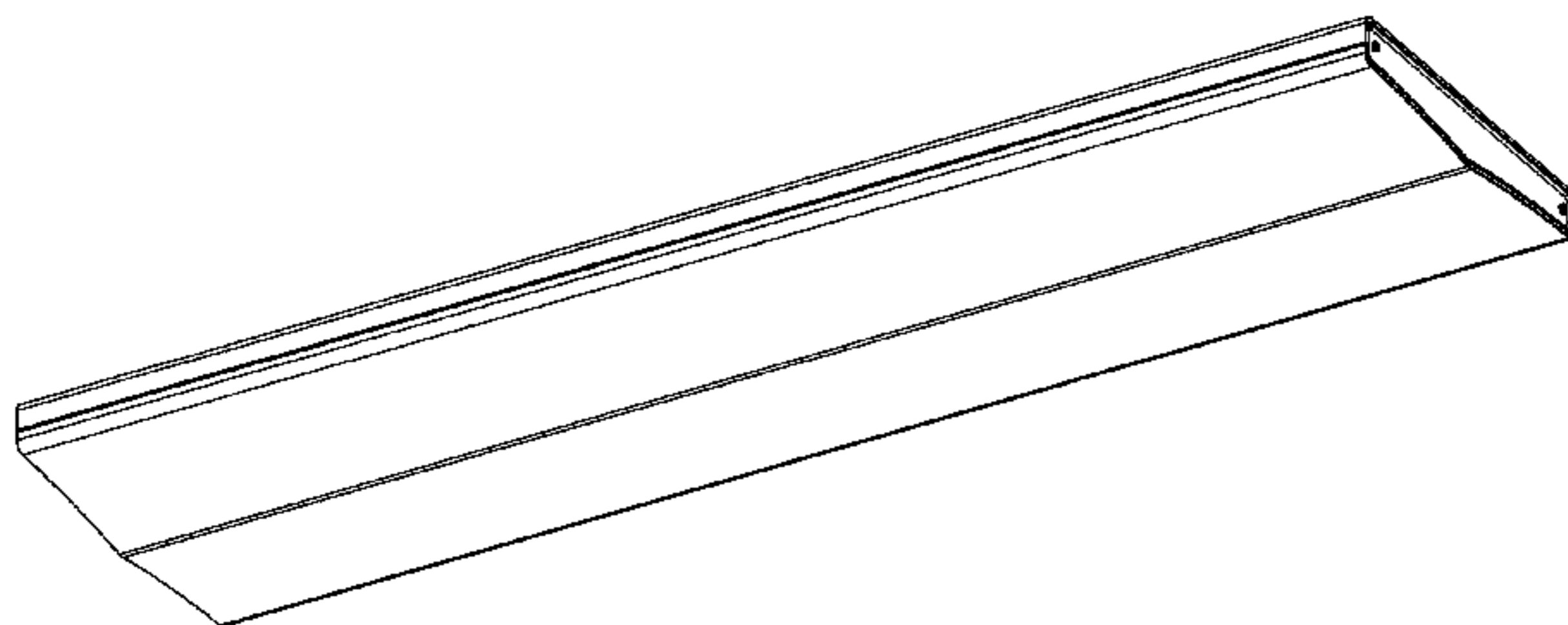
FIG. 11 is an alternate perspective view of FIG. 1 showing the pendant lamp hung by two unclaimed wires;

FIG. 12 is a second alternate perspective view of FIG. 1 showing the pendant lamp hung by three unclaimed wires; and,

FIG. 13 is a third alternate perspective view of FIG. 1 showing the pendant lamp hung by four unclaimed wires.

The broken lines shown in FIGS. 11-13 illustrate environmental structure and form no part of the claimed design.

1 Claim, 12 Drawing Sheets



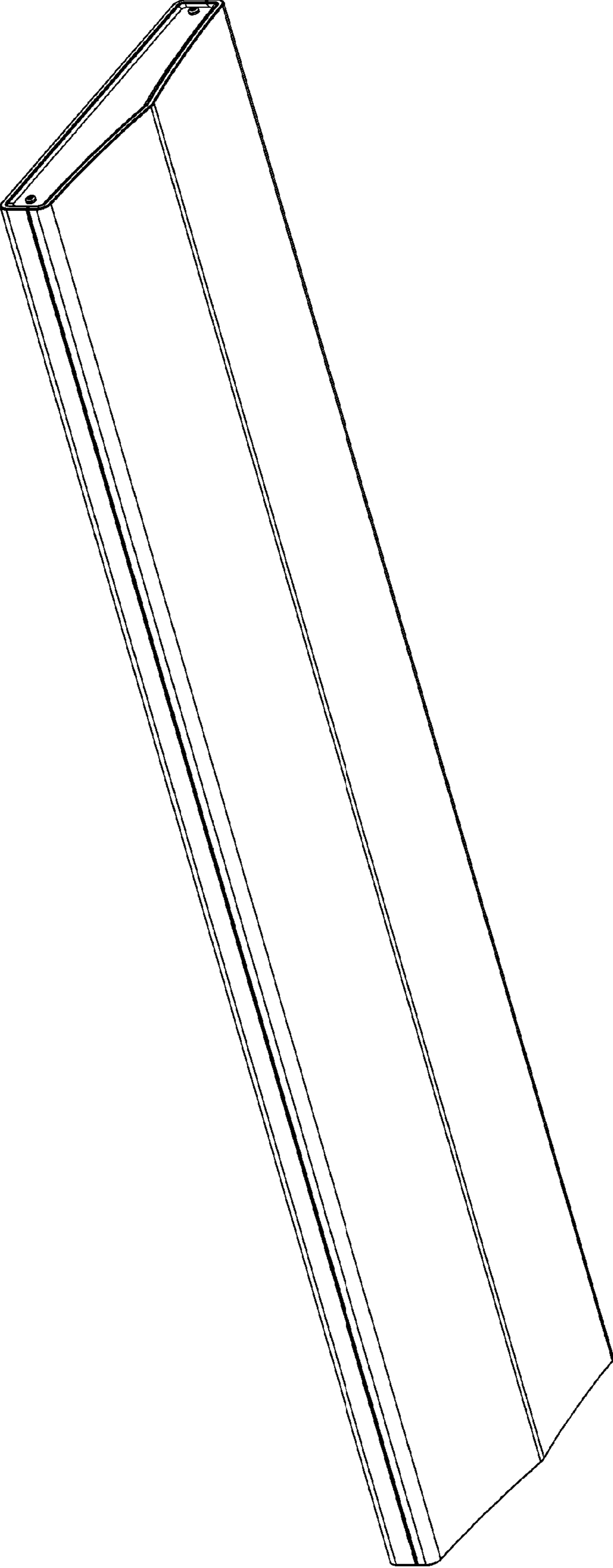


FIG. 1

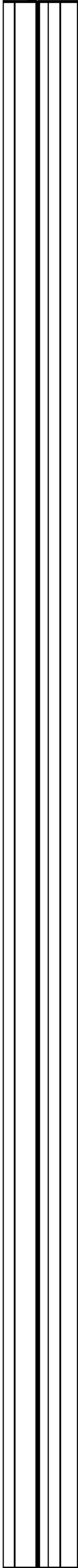


FIG. 2



FIG. 3

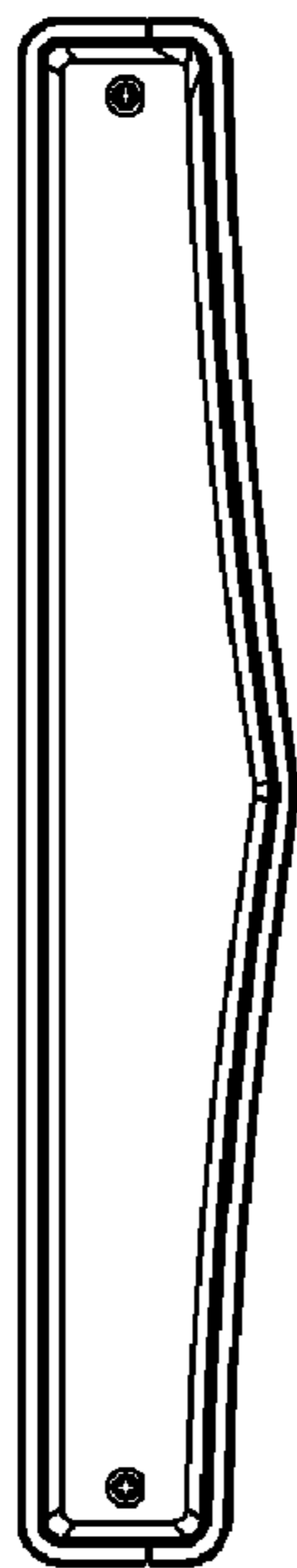


FIG. 5

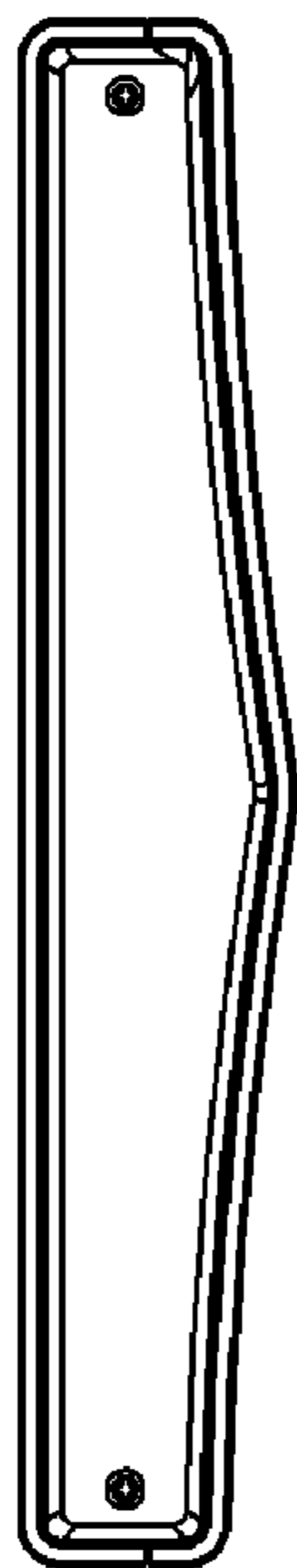


FIG. 4

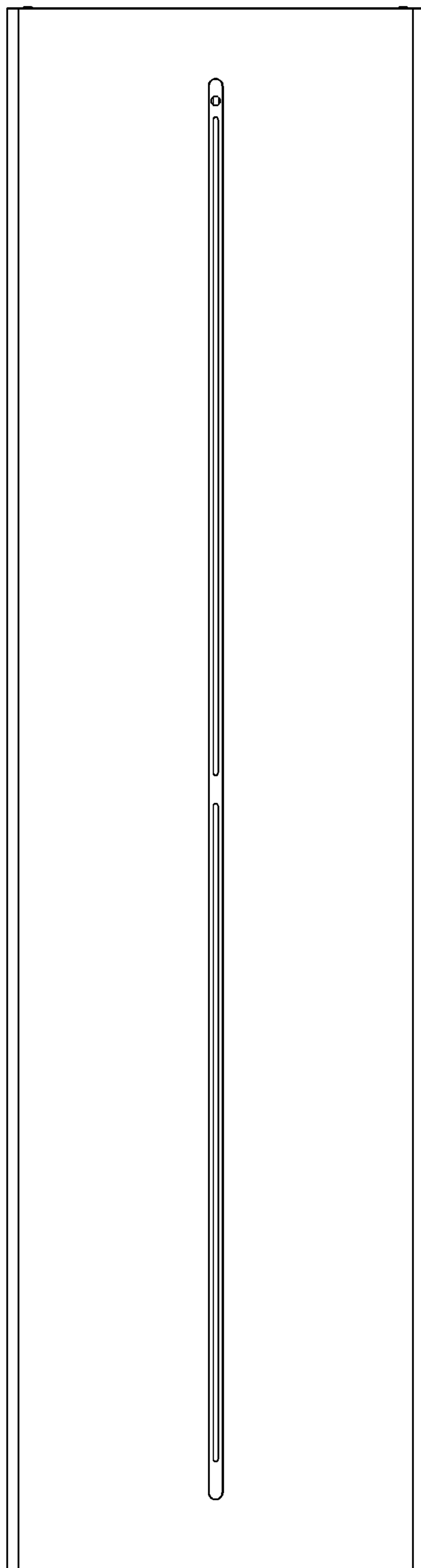


FIG. 6

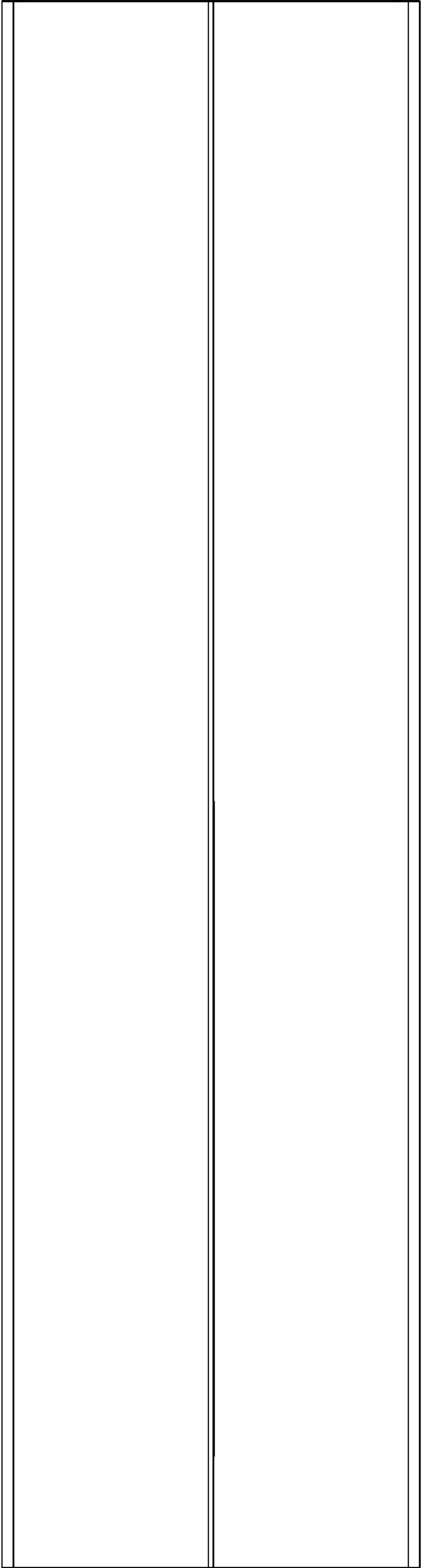


FIG. 7

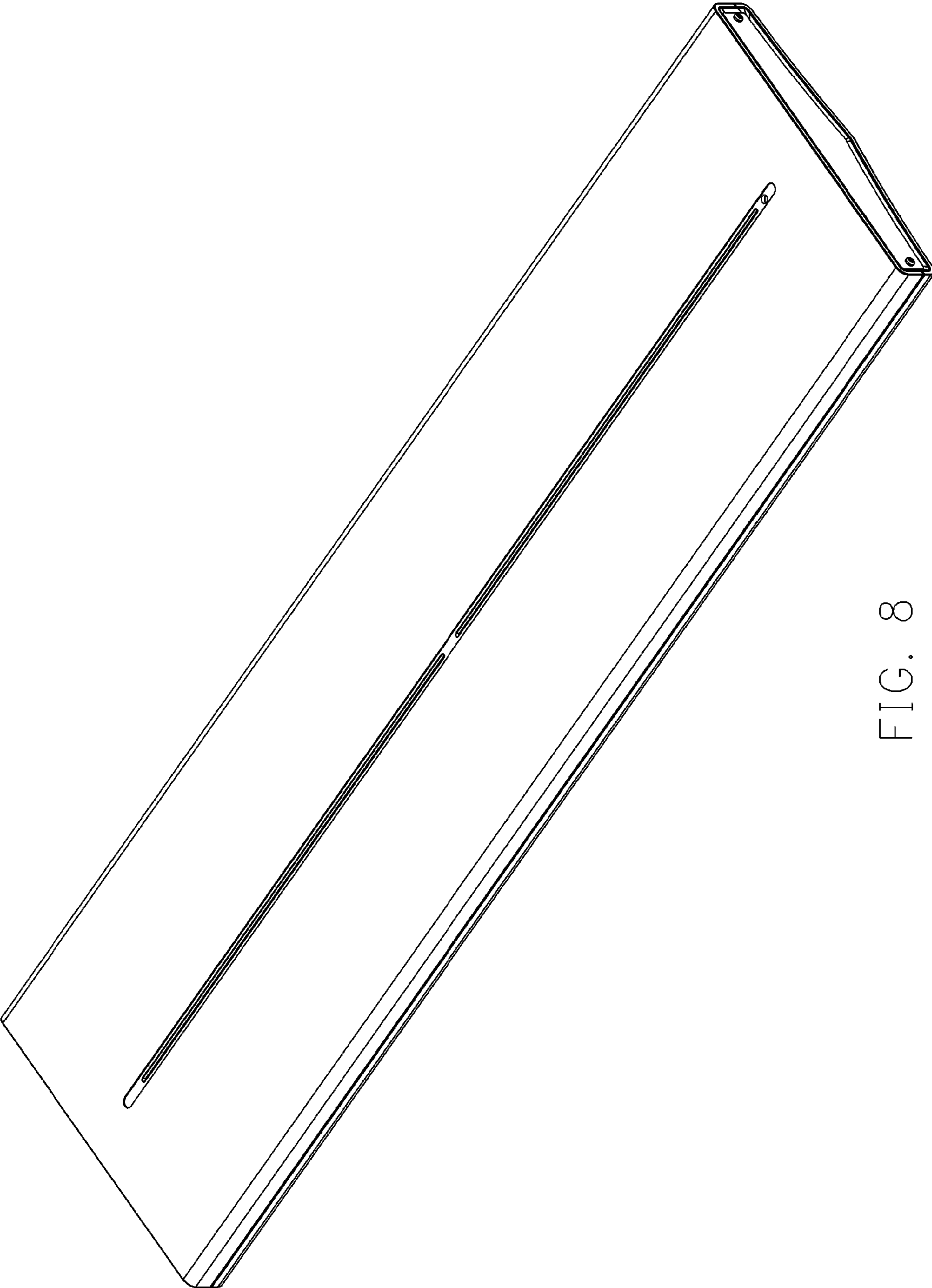


FIG. 8

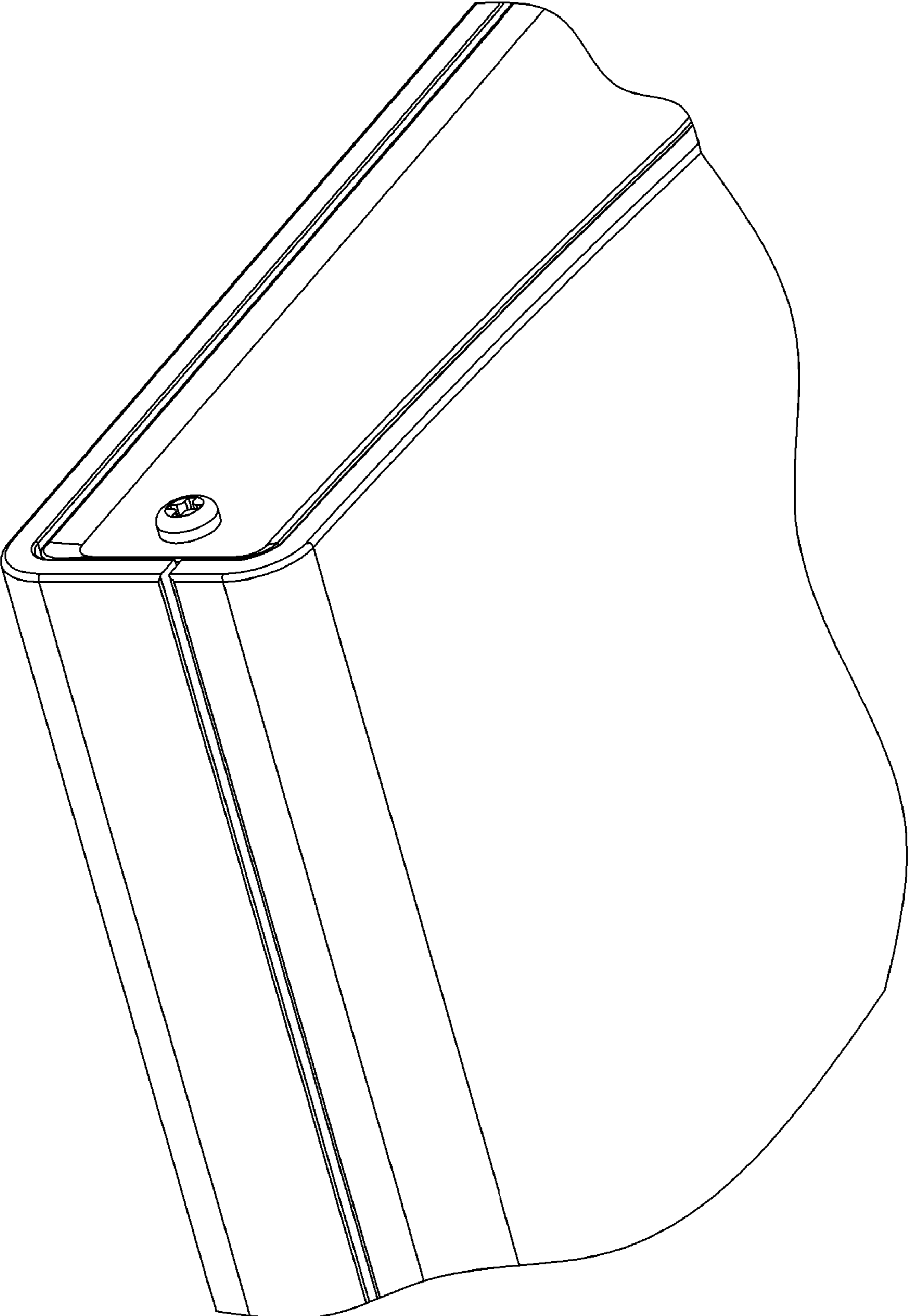


FIG. 9

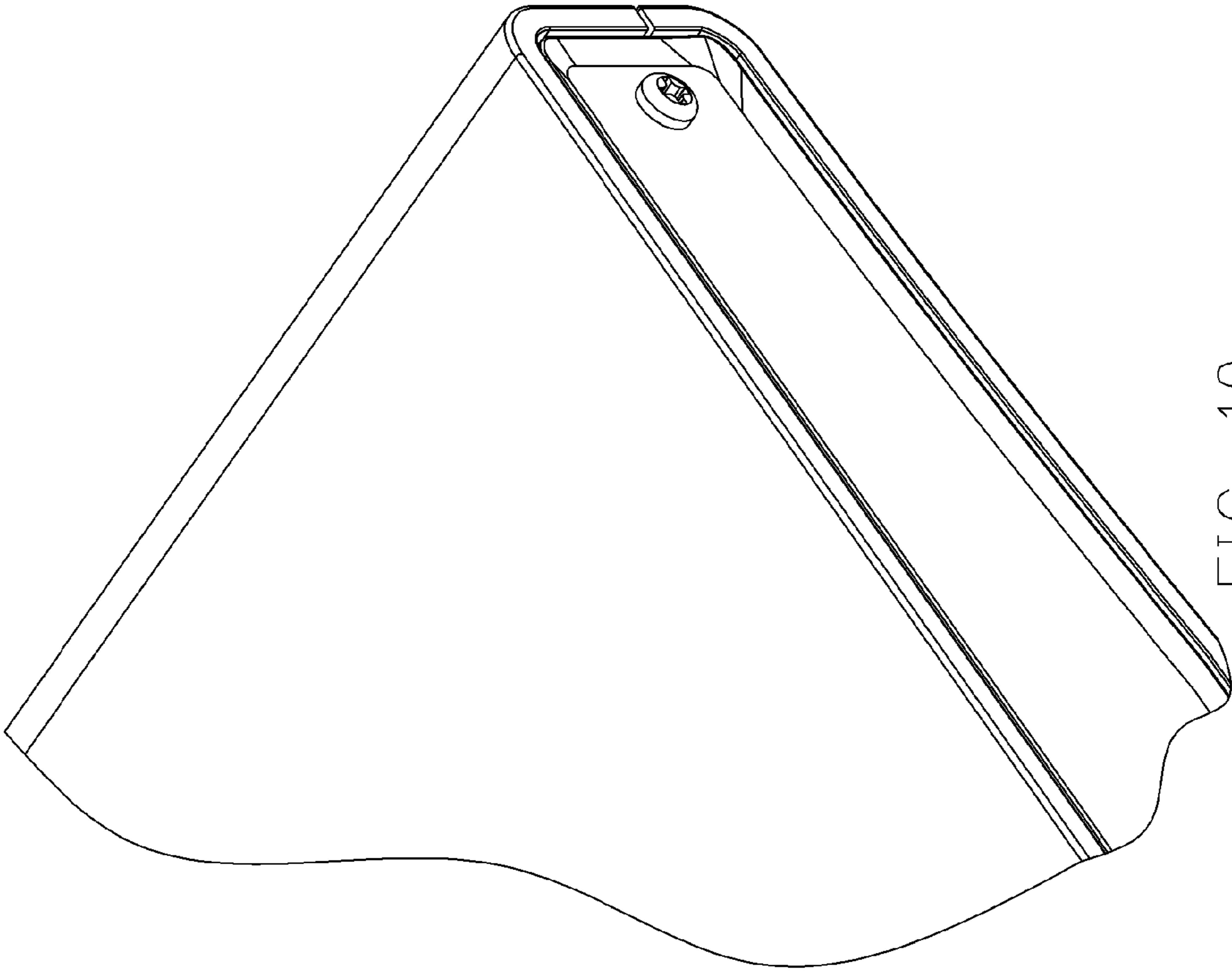


FIG. 10

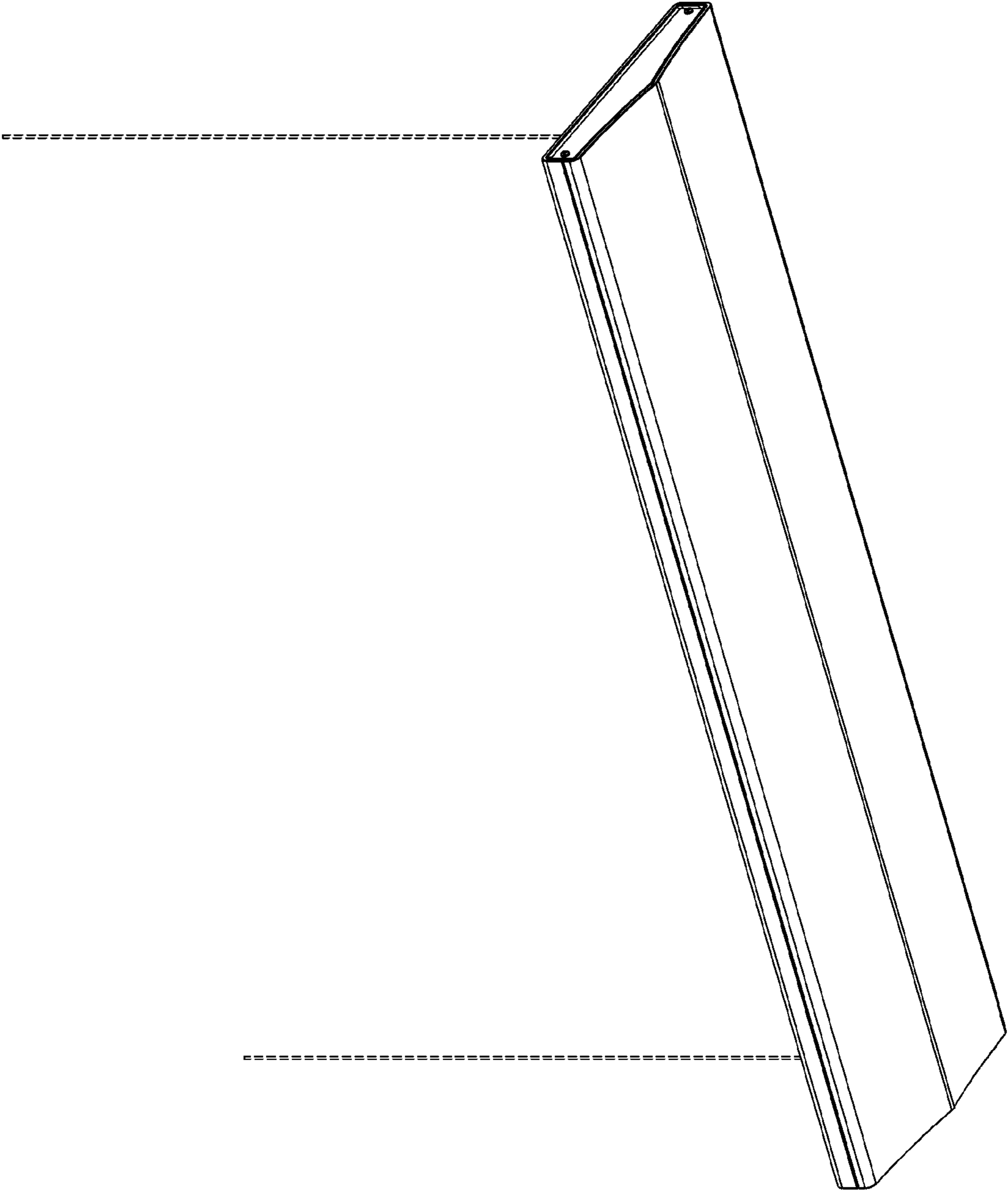


FIG. 11

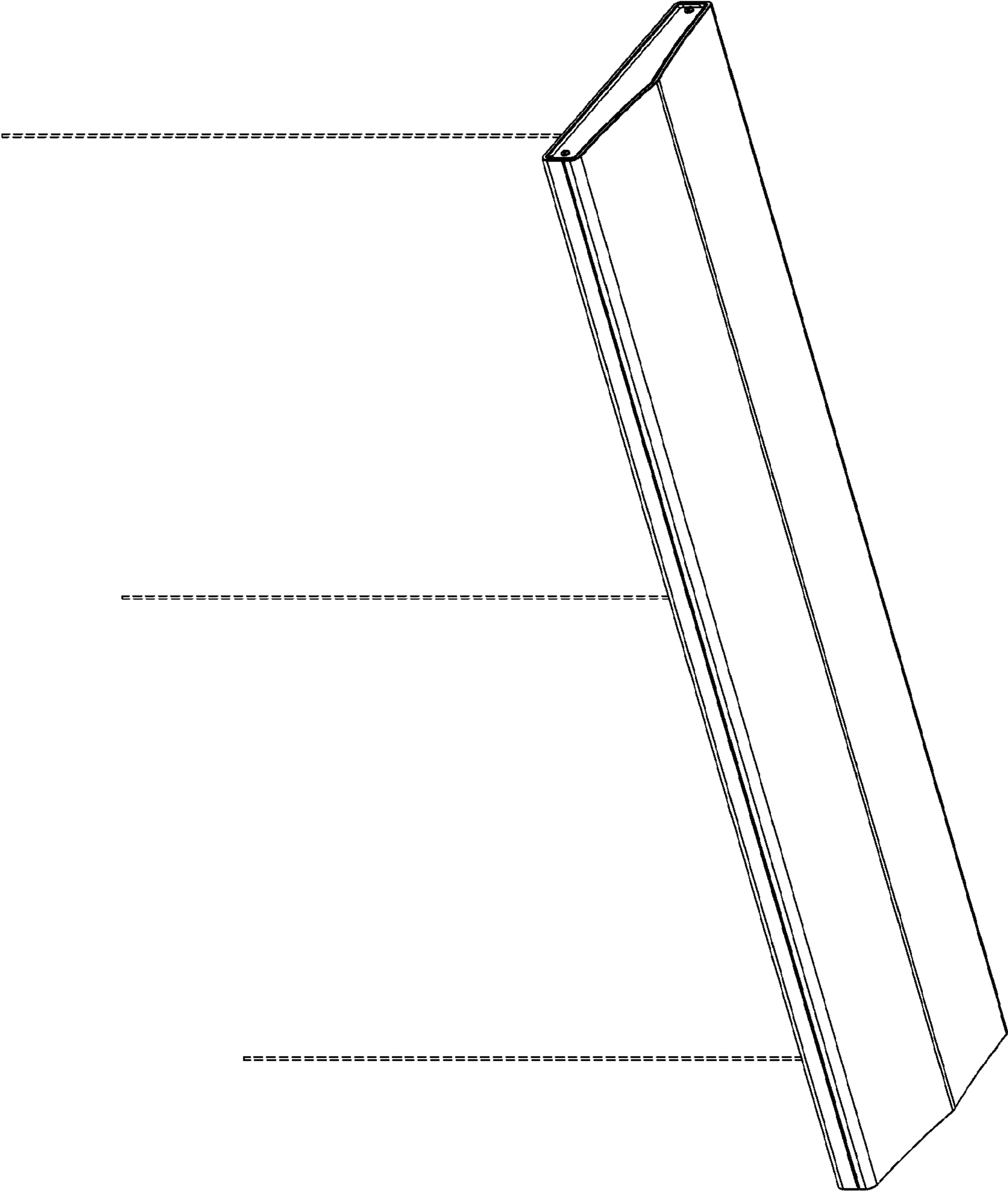


FIG. 12

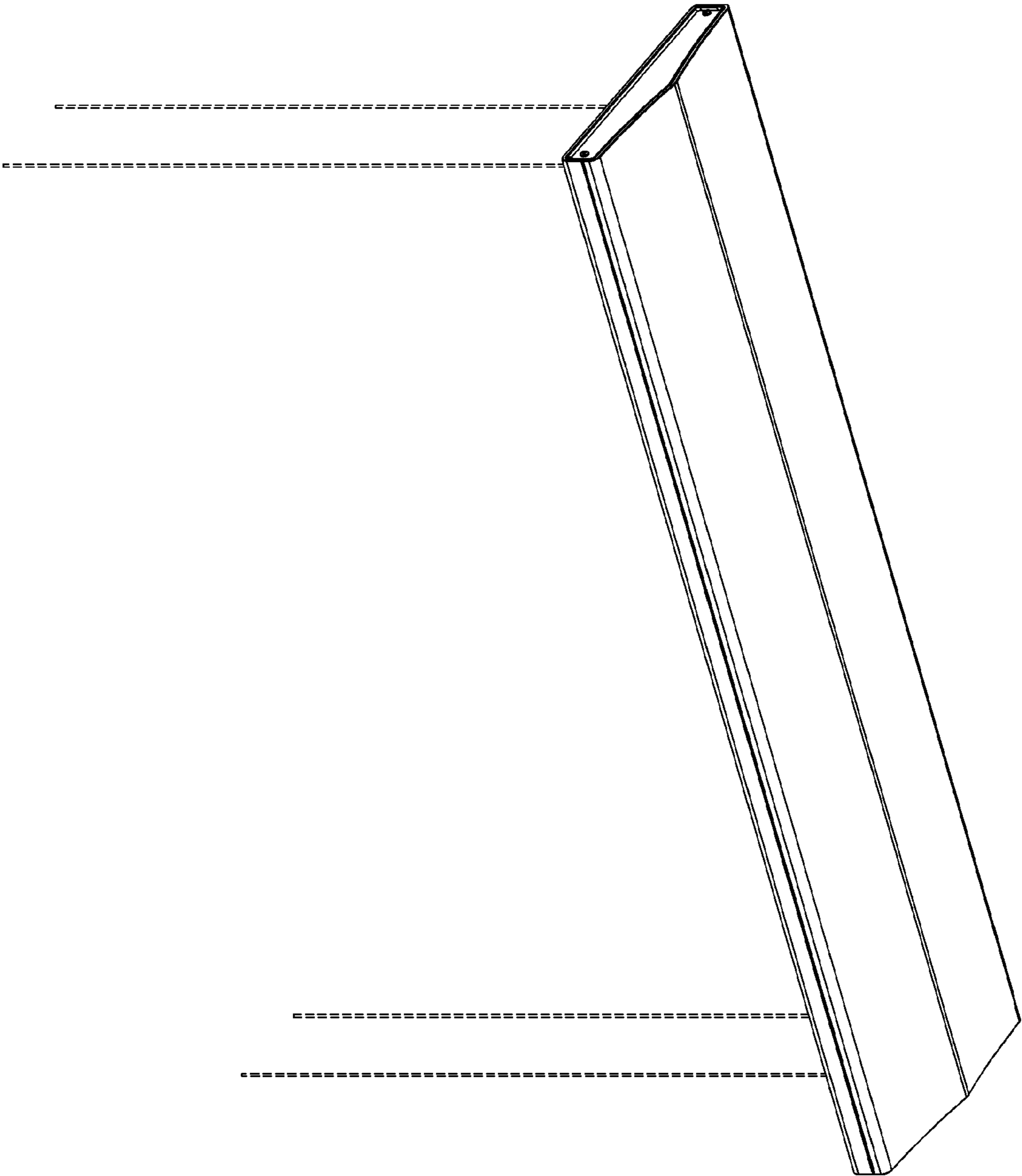


FIG. 13