



US00D610733S

(12) **United States Design Patent**
Chang

(10) **Patent No.:** **US D610,733 S**
(45) **Date of Patent:** **** Feb. 23, 2010**

(54) **STREET LAMP**

D599,941 S * 9/2009 Wang et al. D26/71

(76) Inventor: **Chin Ho Chang**, 12F-2, No. 66-1, Sec. 1, Sanmin Rd., Taoyuan City, Taoyuan County 330 (TW)

* cited by examiner

Primary Examiner—Clare E Heflin
(74) *Attorney, Agent, or Firm*—Kile Goekjian Reed & McManus

(**) Term: **14 Years**

(21) Appl. No.: **29/336,702**

(57) **CLAIM**

(22) Filed: **May 7, 2009**

The ornamental design for a “street lamp,” as shown and described.

(51) **LOC (9) Cl.** **26-05**

DESCRIPTION

(52) **U.S. Cl.** **D26/71**

FIG. 1 is a perspective view of a “street lamp” showing my new design;

(58) **Field of Classification Search** D26/67–72,

FIG. 2 is a front view thereof;

D26/85, 92; 362/145, 152, 183, 294, 373,

FIG. 3 is a rear view thereof;

362/414, 431, 545

FIG. 4 is a left side view thereof;

See application file for complete search history.

FIG. 5 is a right side view thereof;

(56) **References Cited**

U.S. PATENT DOCUMENTS

FIG. 6 is a top view thereof;

D204,558 S * 4/1966 Zeltz D26/71

FIG. 7 is a bottom view thereof; and,

D556,935 S * 12/2007 Quioque et al. D26/71

FIG. 8 is a perspective view showing the practical usage thereof.

7,329,030 B1 * 2/2008 Wang 362/373

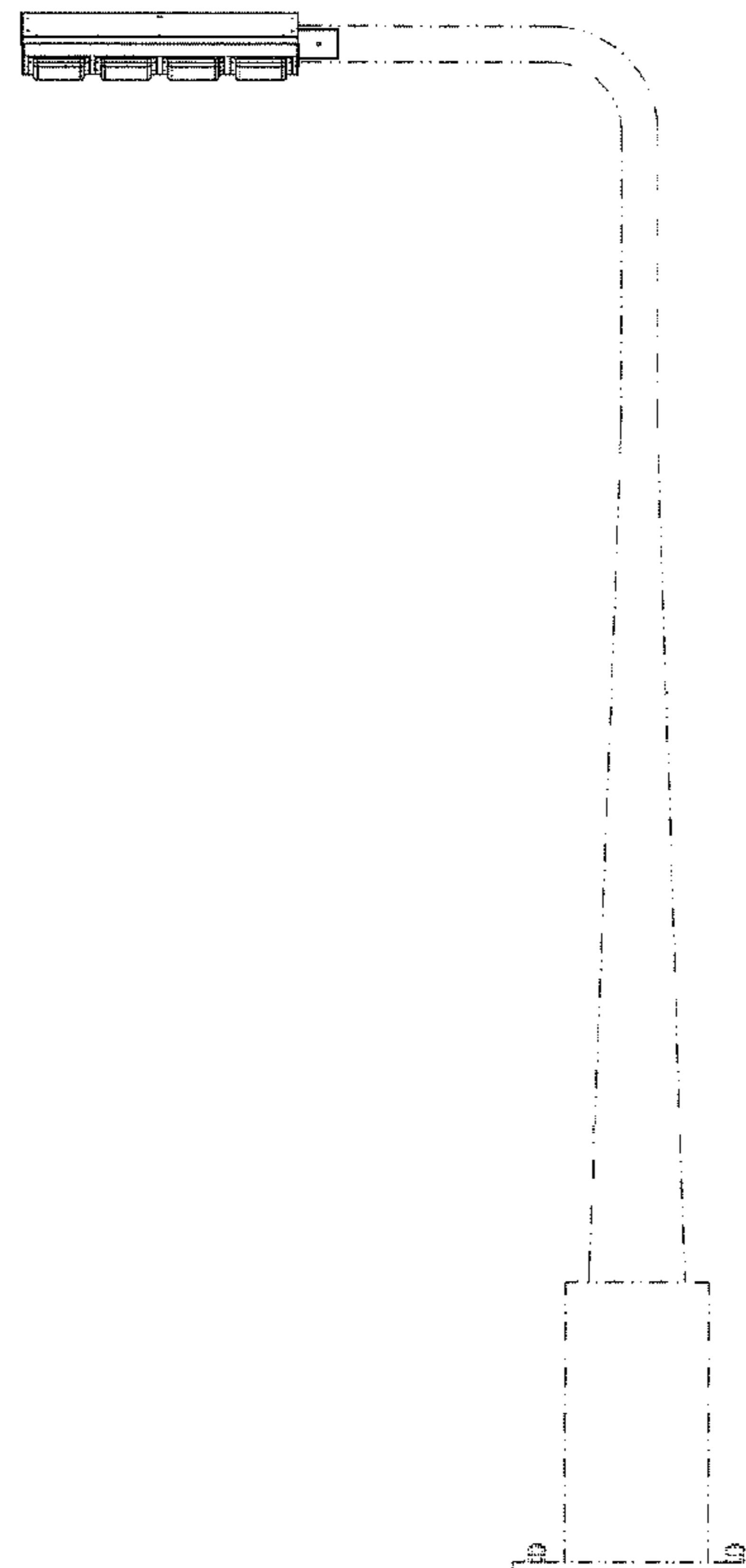
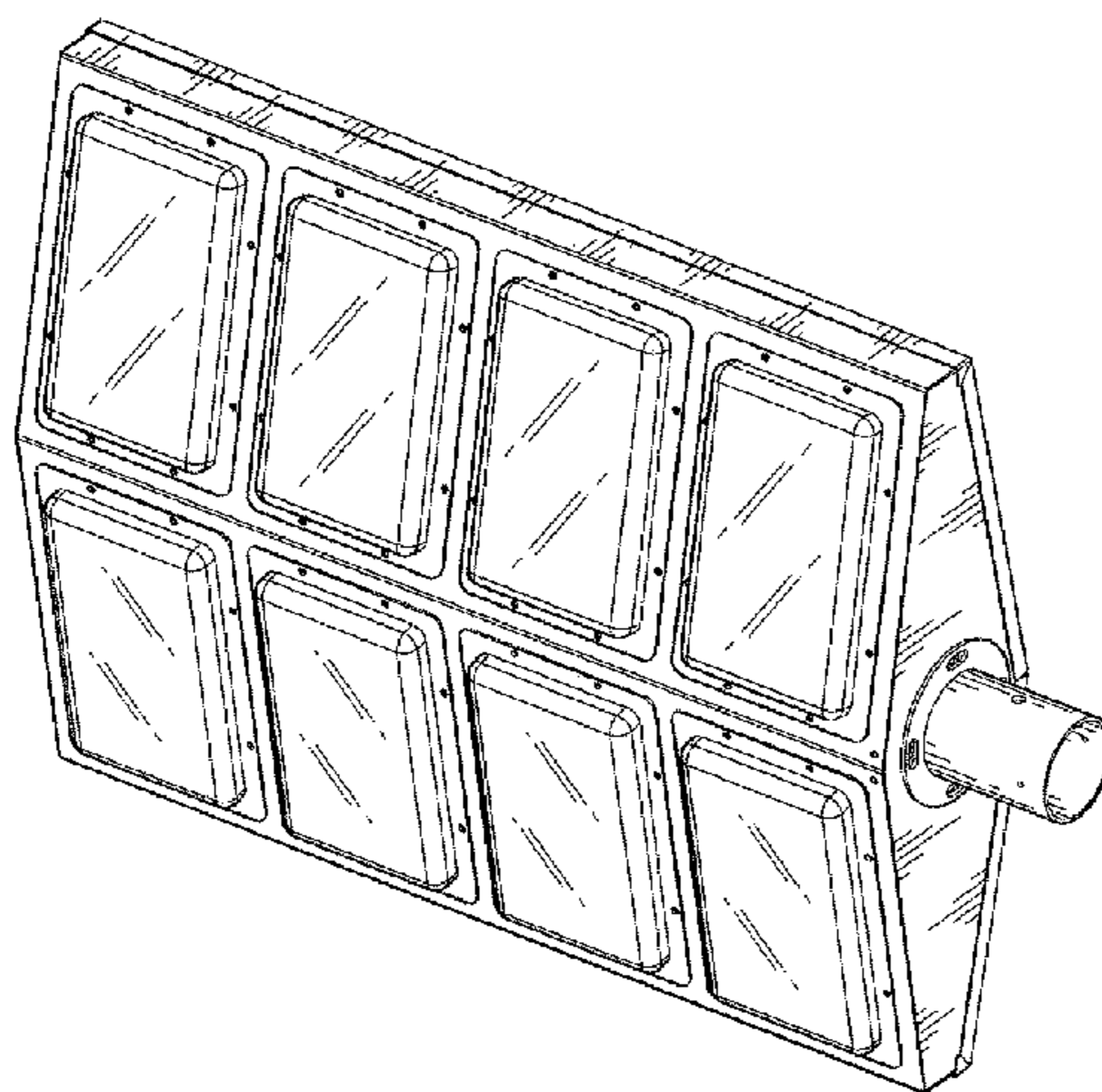
The broken lines shown on the drawings depict environment only and form no part of the claimed design.

D573,292 S * 7/2008 Zheng et al. D26/71

D577,455 S * 9/2008 Zheng et al. D26/71

D578,697 S * 10/2008 Zheng et al. D26/71

1 Claim, 6 Drawing Sheets



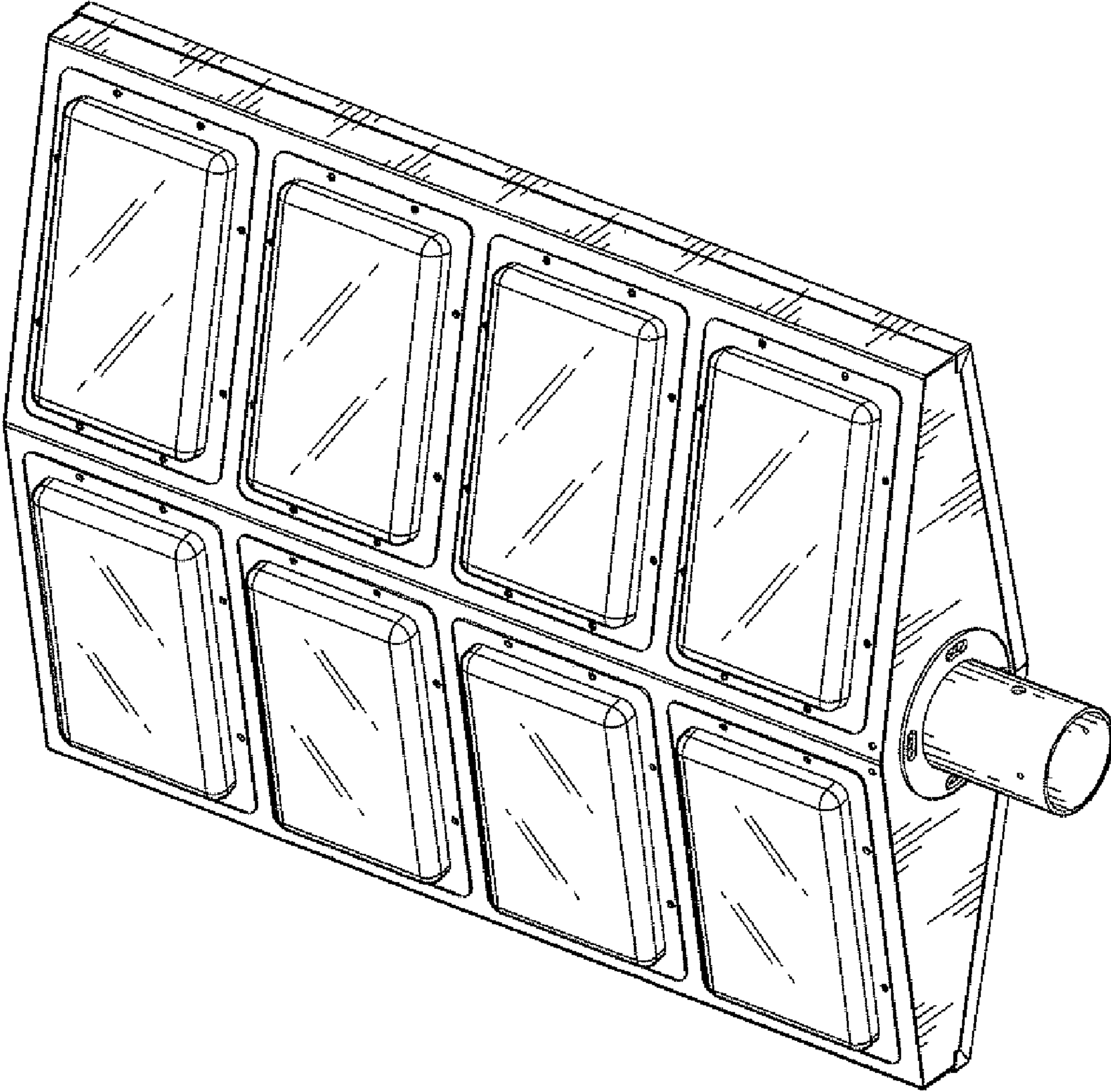


FIG. 1

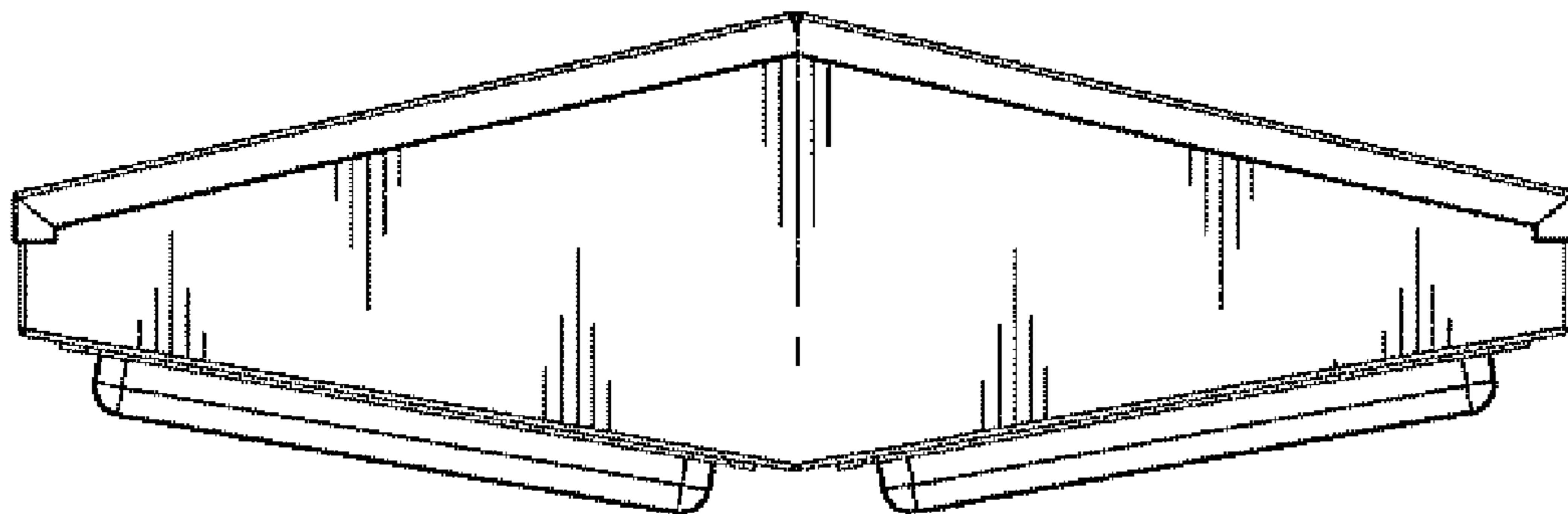


FIG. 2

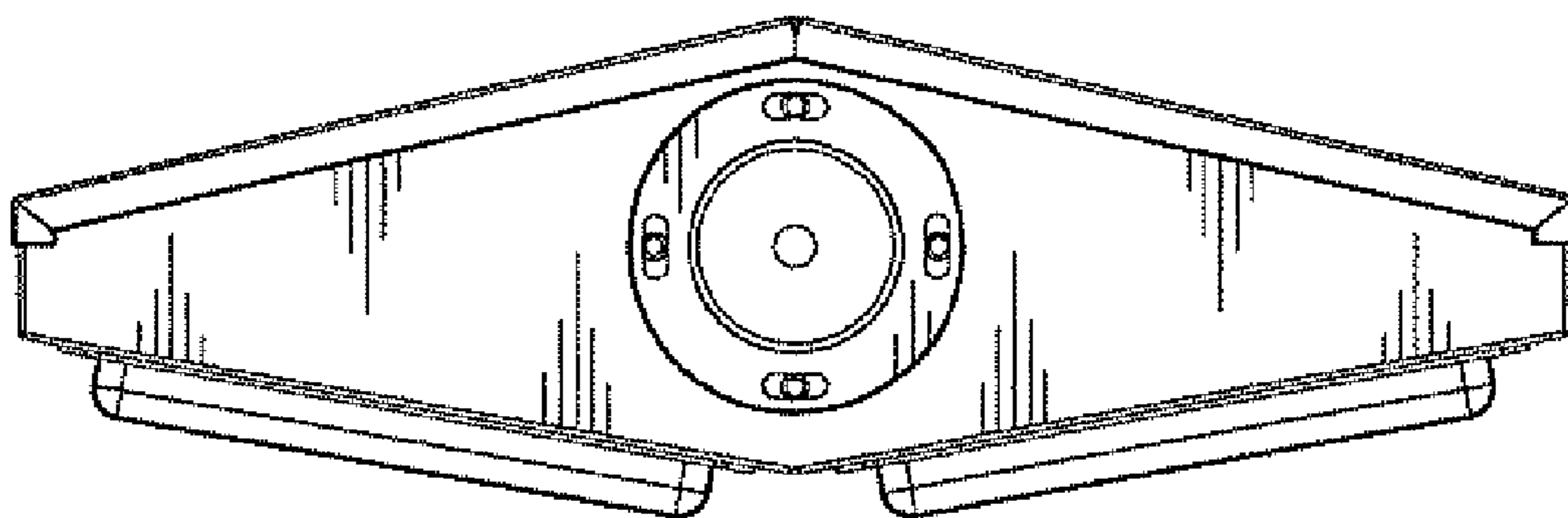


FIG. 3

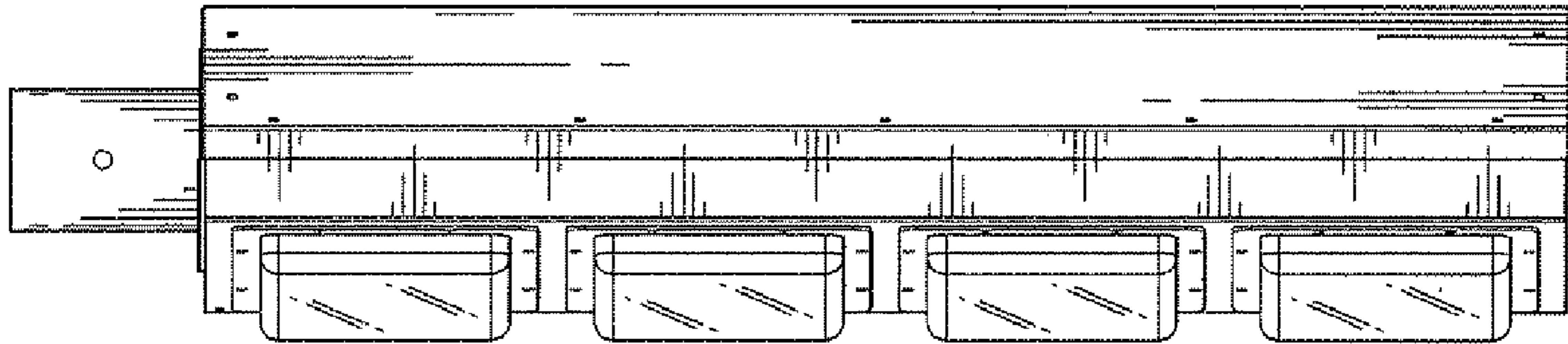


FIG. 4

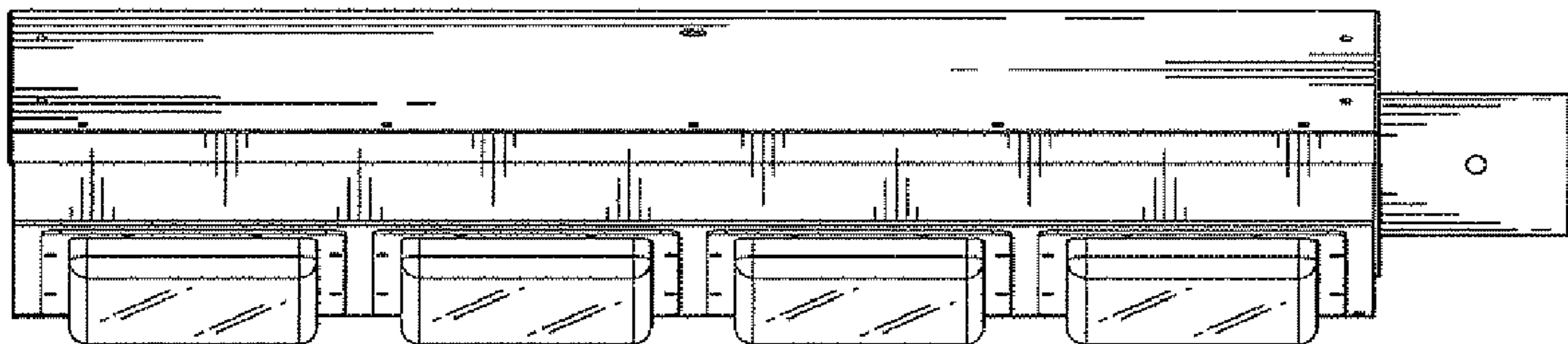


FIG. 5

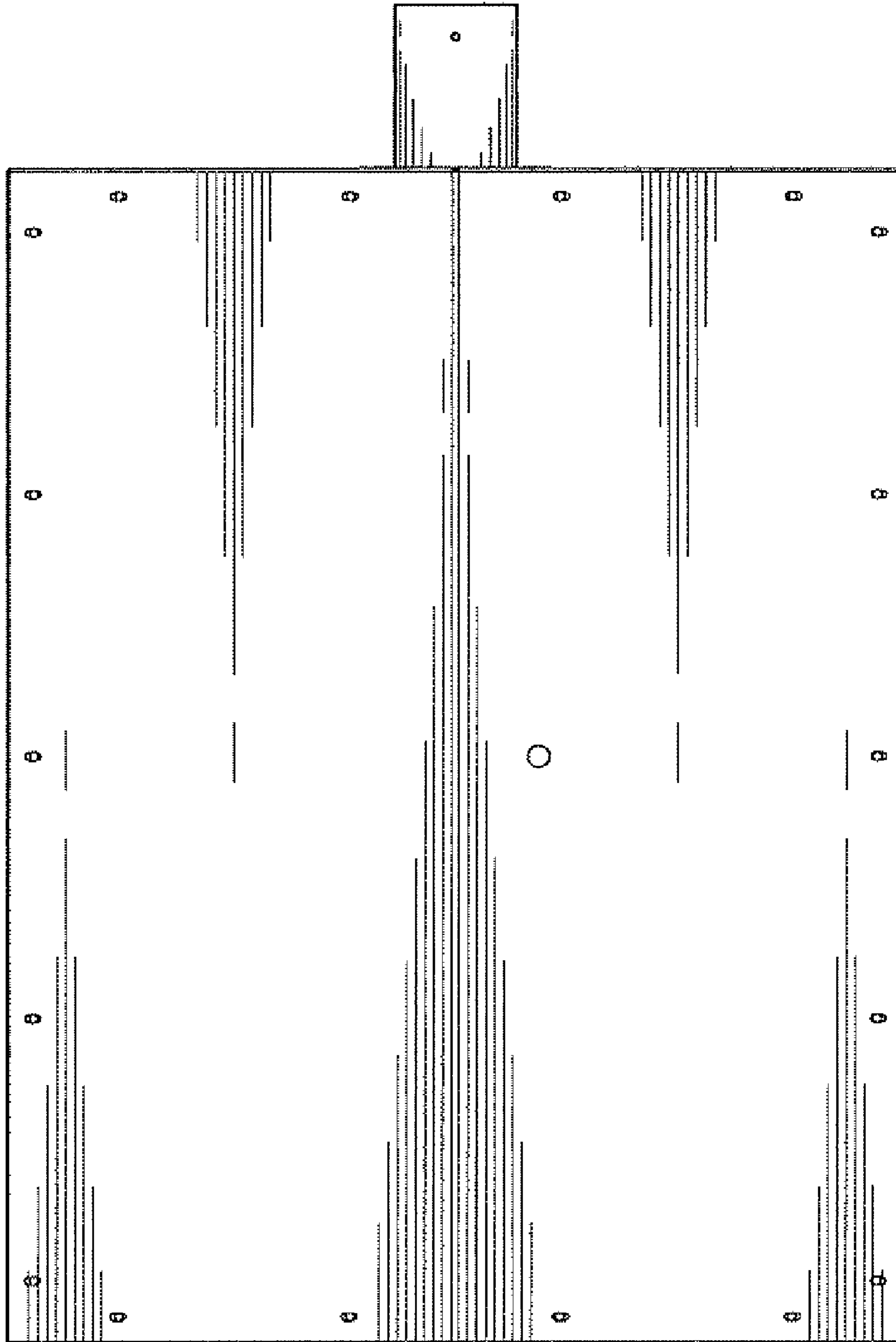


FIG. 6

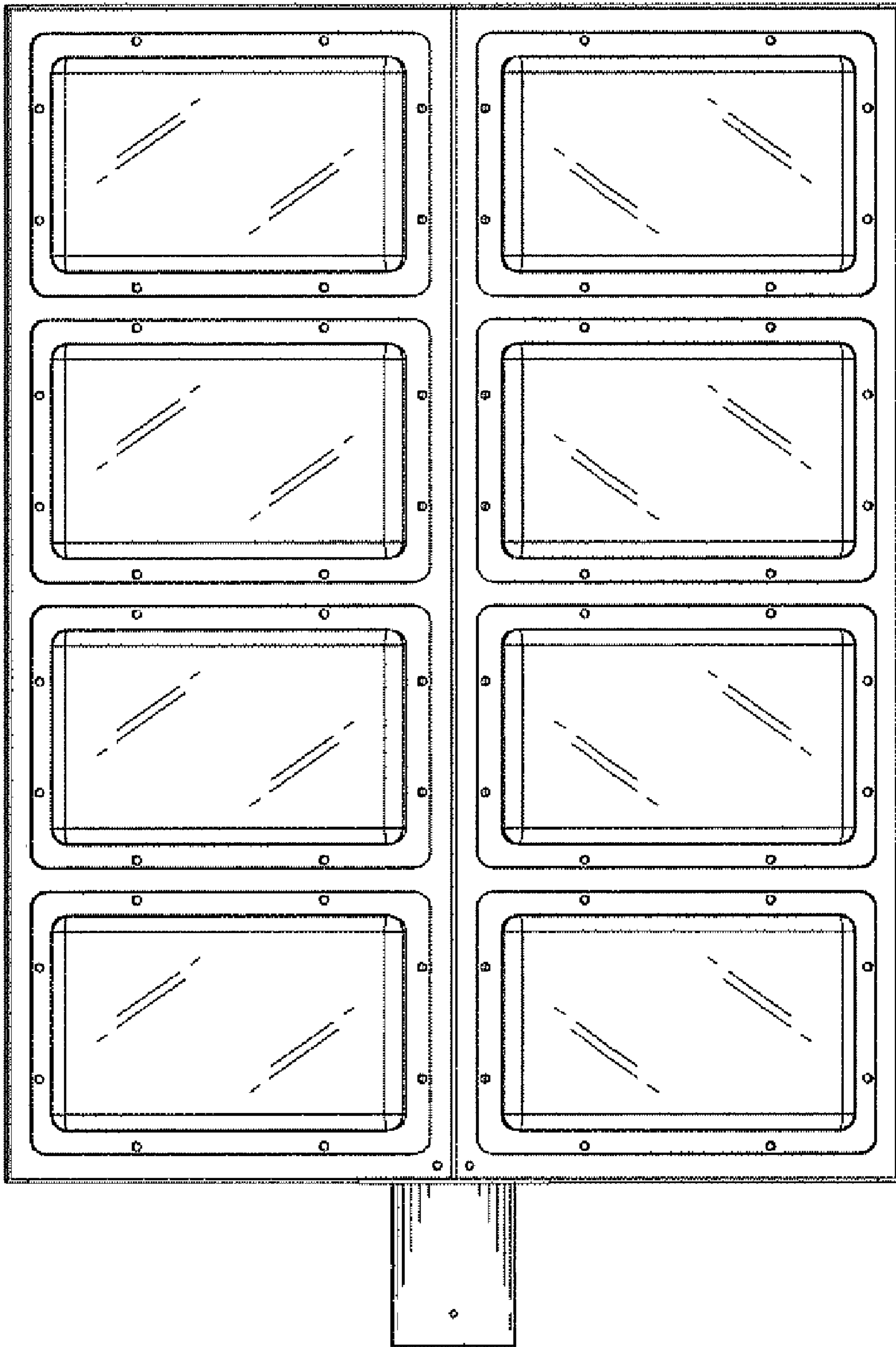


FIG. 7

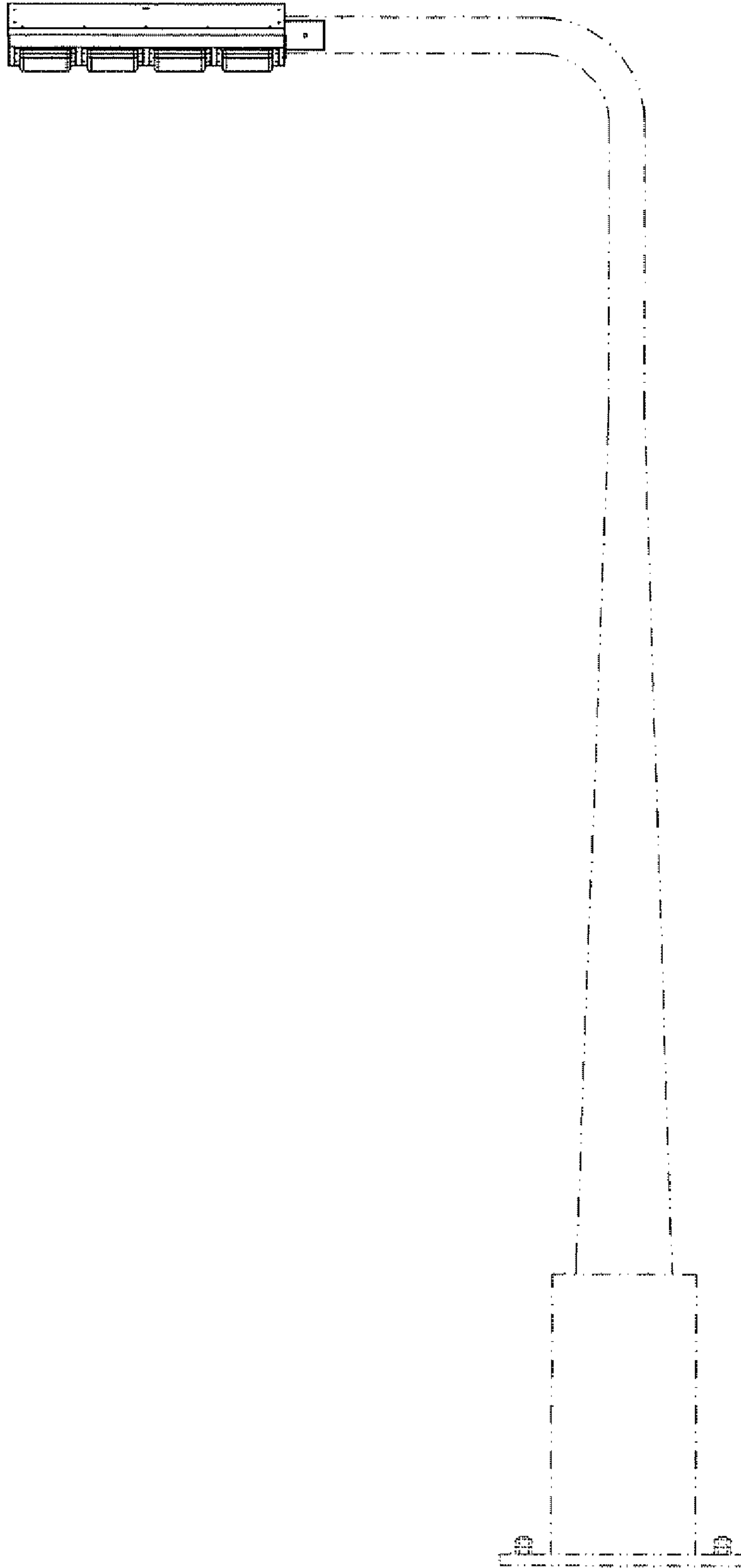


FIG. 8