



US00D610732S

(12) **United States Design Patent**
Daidone et al.

(10) **Patent No.:** **US D610,732 S**

(45) **Date of Patent:** **** Feb. 23, 2010**

(54) **WIND AND SOLAR-POWERED LIGHT POST**

(75) Inventors: **Paul D. Daidone**, Lindenhurst, NY
(US); **Lauren Elizabeth Ascani**,
Mahopac, NY (US)

(73) Assignee: **Duggal Dimensions, LLC**, New York,
NY (US)

(**) Term: **14 Years**

(21) Appl. No.: **29/332,955**

(22) Filed: **Feb. 27, 2009**

(51) **LOC (9) Cl.** **26-05**

(52) **U.S. Cl.** **D26/71**

(58) **Field of Classification Search** D26/67-72,
D26/85; 362/183, 431, 152-153.1
See application file for complete search history.

(56) **References Cited**

U.S. PATENT DOCUMENTS

D42,281 S	3/1912	Grelle	
D42,688 S	7/1912	Grelle	
D81,667 S	7/1930	Scotti	
4,200,904 A	4/1980	Doan	
4,229,941 A	10/1980	Hope	
4,281,369 A	7/1981	Batte	
4,433,544 A	2/1984	Wells et al.	
4,551,631 A	11/1985	Trigilio	
4,972,094 A	11/1990	Marks	
5,075,564 A	12/1991	Hickey	
5,103,646 A	4/1992	Fini	
D332,669 S	1/1993	Frost et al.	
5,254,876 A	10/1993	Hickey	
D353,014 S	11/1994	Elazari	
D404,842 S	1/1999	Hurst	
6,082,877 A	7/2000	Hughes	
D444,585 S	7/2001	Lam	
D458,702 S	6/2002	Ellis	
D470,965 S *	2/2003	Landefeld D26/71

D482,481 S *	11/2003	Landefeld D26/71
6,661,113 B1	12/2003	Bonin	
6,784,357 B1	8/2004	Wang	
D507,068 S	7/2005	Chen	
D508,581 S	8/2005	Cheong et al.	
7,045,702 B2	5/2006	Kashyap	
7,321,173 B2	1/2008	Mann	
7,453,167 B2	11/2008	Gilbert	
D598,598 S	8/2009	Zhou et al.	
2005/0068765 A1 *	3/2005	Ertze Encinas et al. 362/183
2007/0090653 A1	4/2007	Martelon	
2008/0037243 A1	2/2008	Discoe et al.	
2008/0143117 A1	6/2008	Shen et al.	
2008/0298051 A1 *	12/2008	Chu 362/183
2009/0080182 A1 *	3/2009	Huang 362/183
2009/0231838 A1 *	9/2009	Kim 362/158
2009/0237918 A1 *	9/2009	Yang 362/183

* cited by examiner

Primary Examiner—Clare E Heflin

(74) *Attorney, Agent, or Firm*—McGuireWoods LLP

(57) **CLAIM**

The ornamental design for a wind and solar-powered light post, as shown and described.

DESCRIPTION

FIG. 1 is a bottom perspective view of the wind and solar powered light post showing our new design;

FIG. 2 is a side elevation view thereof;

FIG. 3 is an opposite side elevation view thereof;

FIG. 4 is a front elevation view thereof;

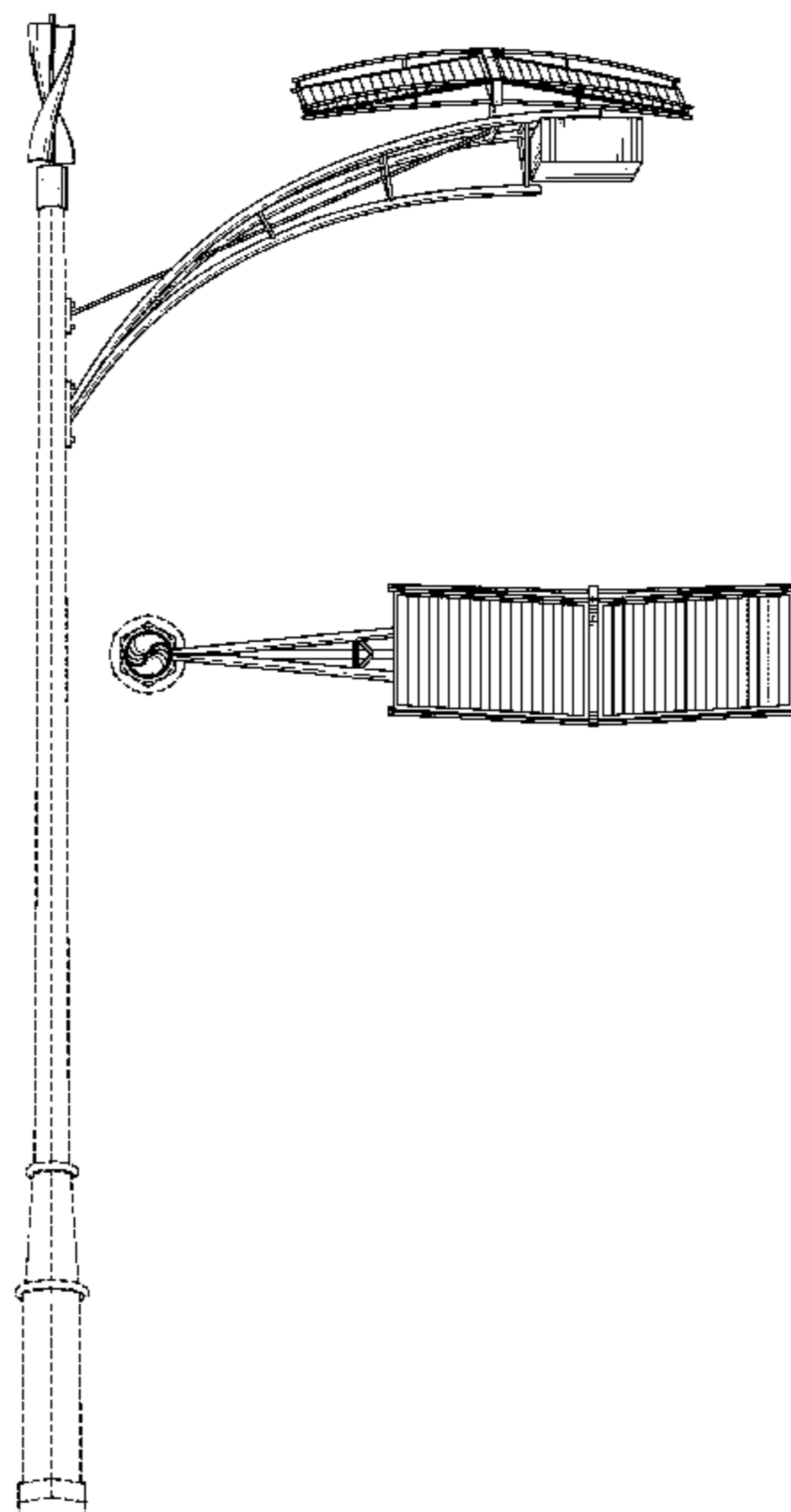
FIG. 5 is a rear elevation view thereof;

FIG. 6 is a top plan view thereof; and,

FIG. 7 is a bottom plan view thereof.

The broken lines shown on the drawings depict environment only and form no part of the claimed design.

1 Claim, 3 Drawing Sheets



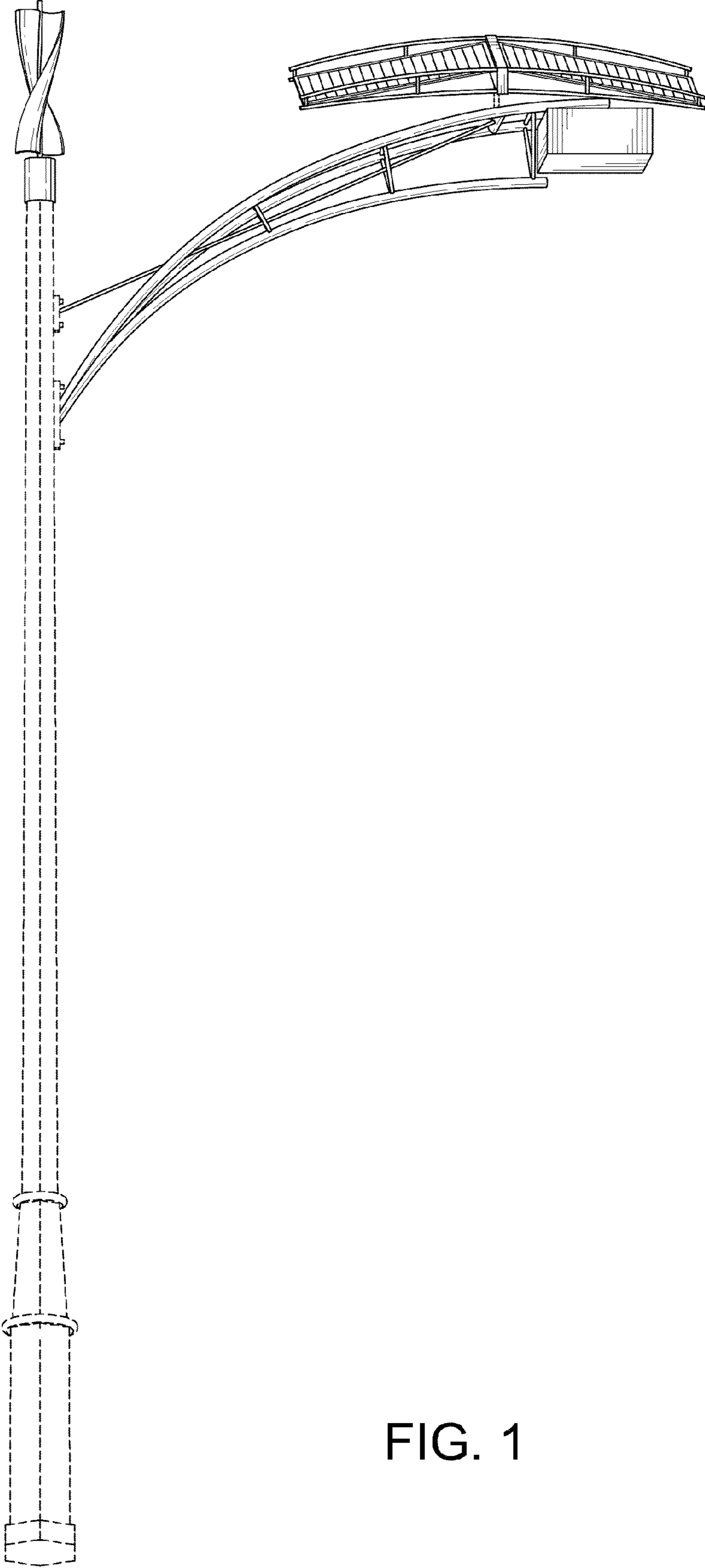
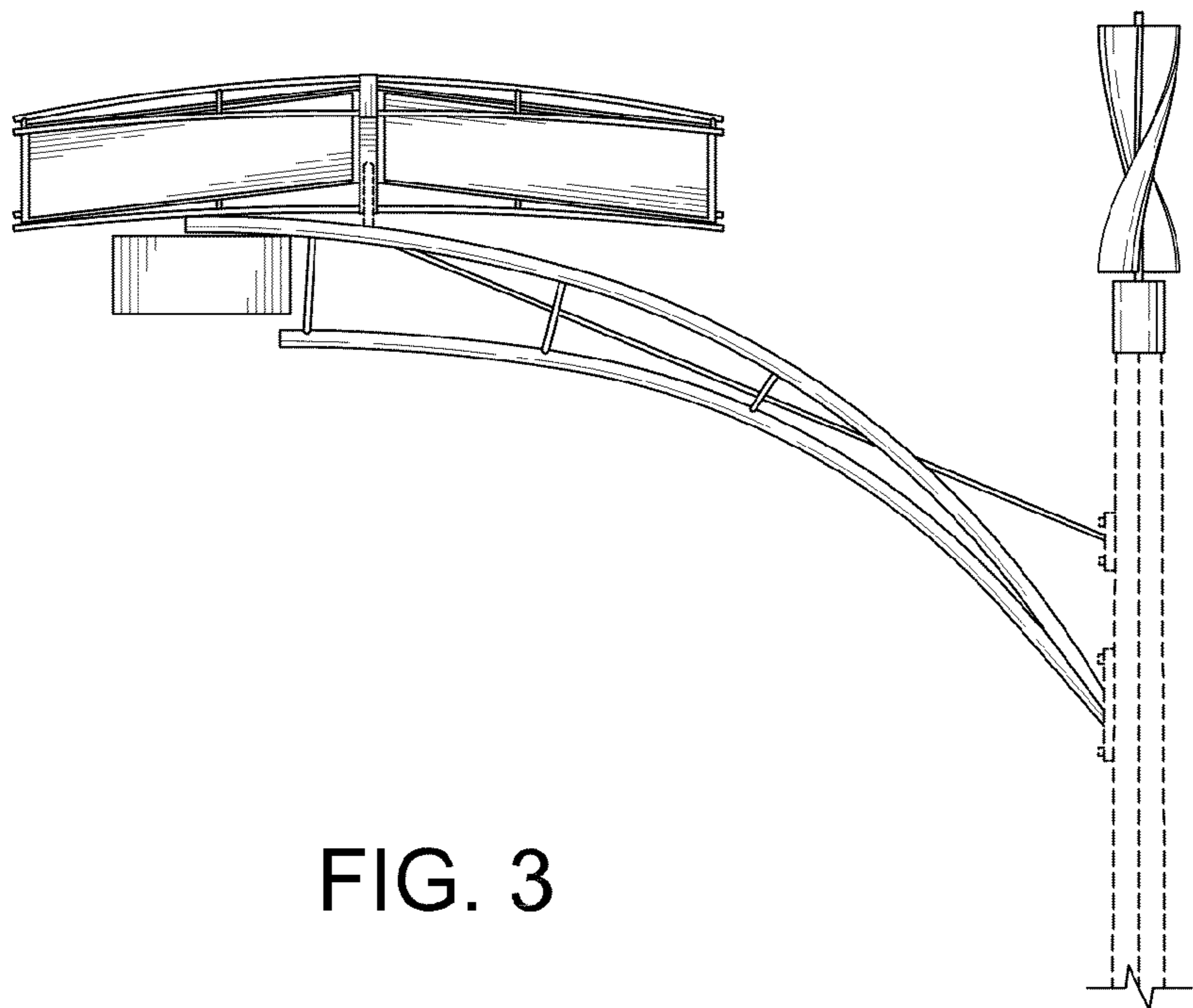
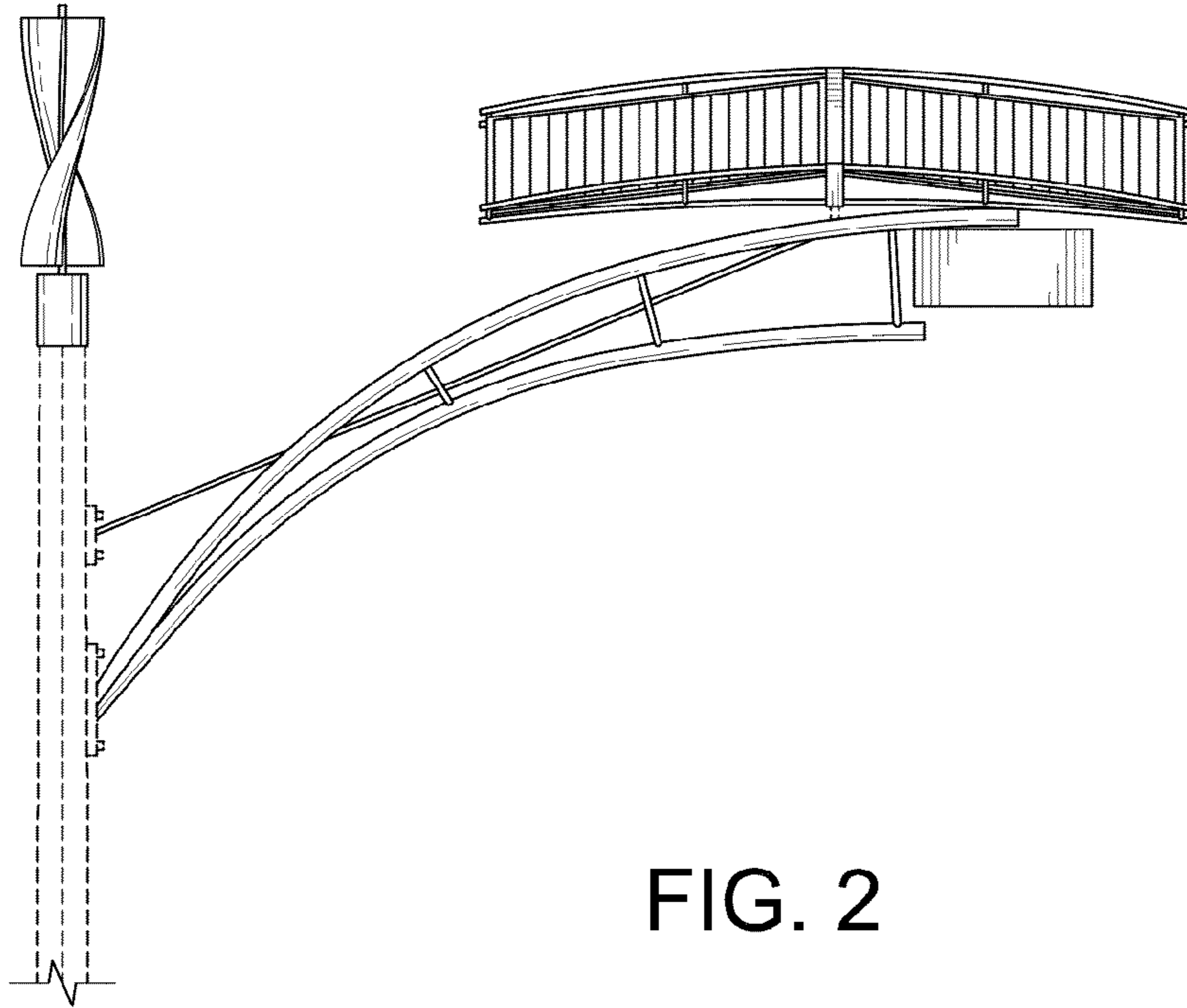


FIG. 1



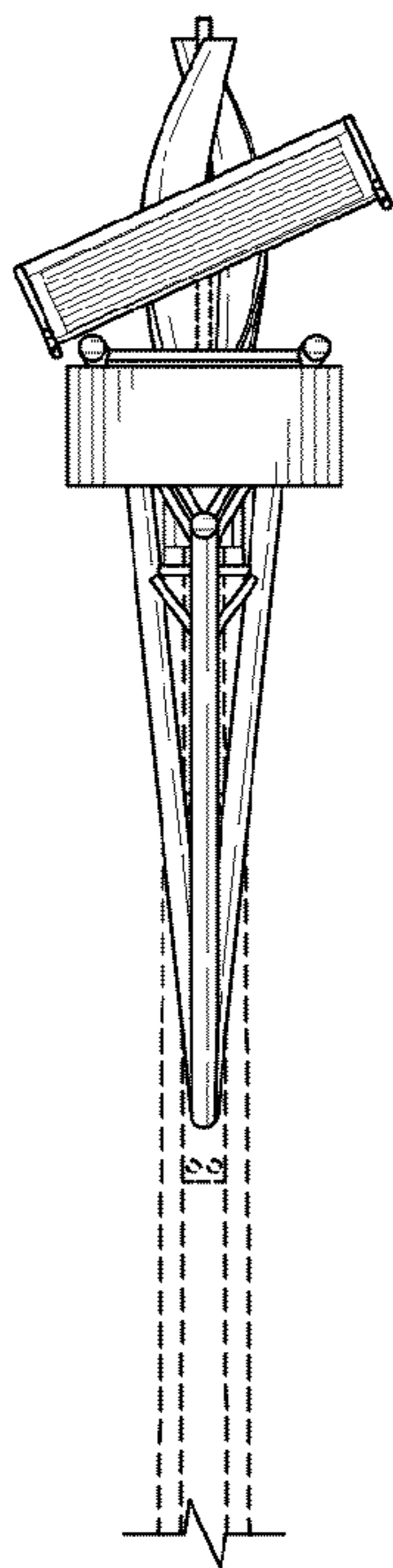


FIG. 4

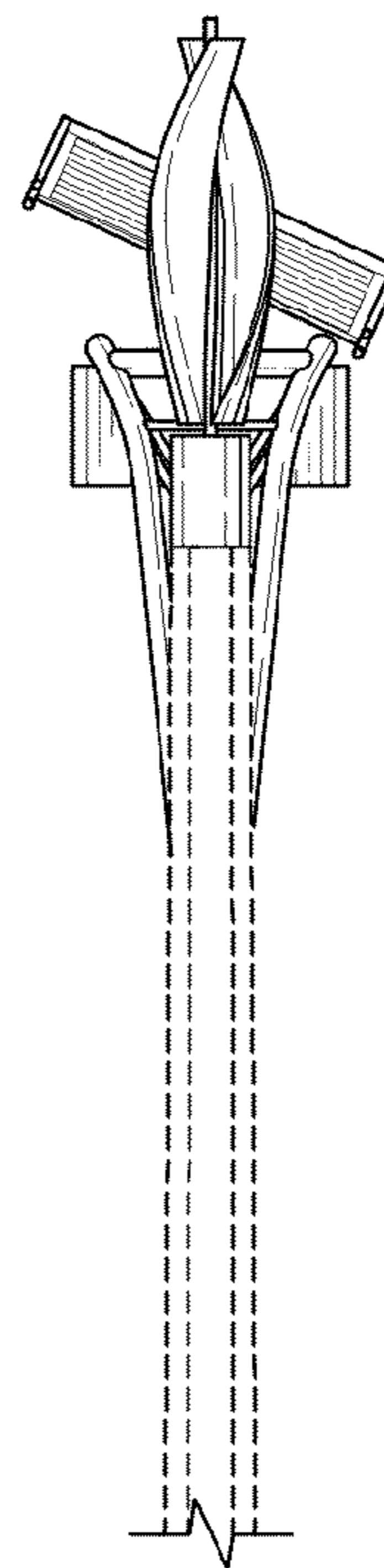


FIG. 5

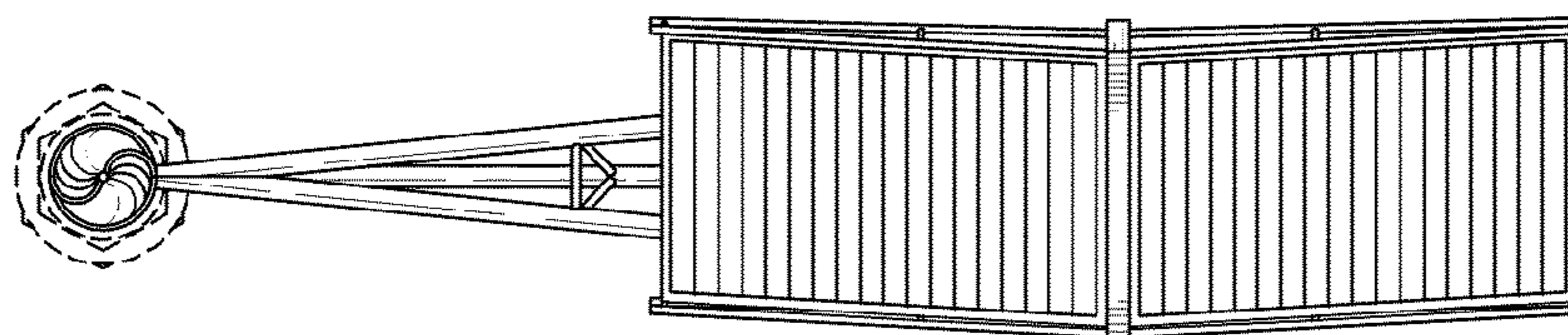


FIG. 6

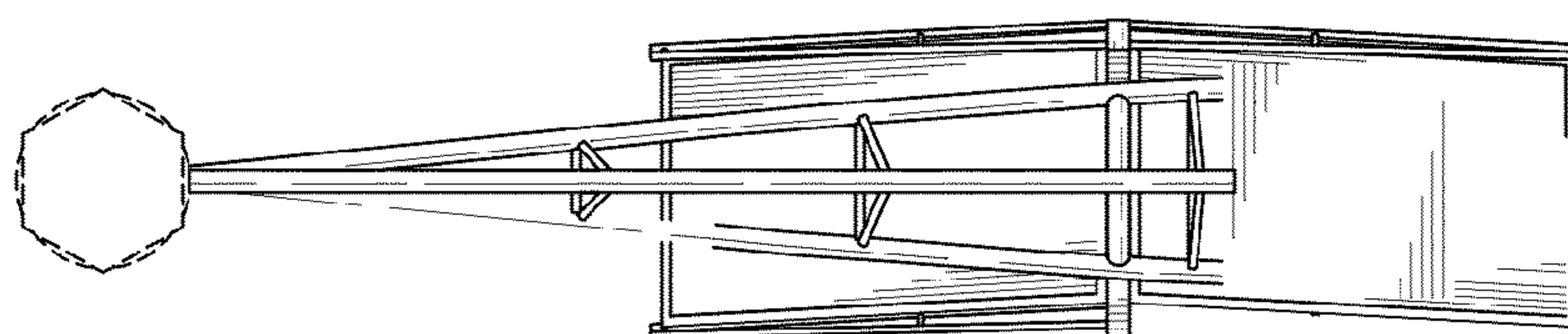


FIG. 7